

MIRAGLIO

- ALZACRISTALLI
- WINDOW REGULATORS
- FENSTERHEBER
- LEVE-VITRES
- ELEVACIONES

www.algogroup.net



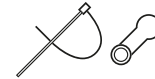
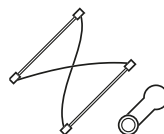
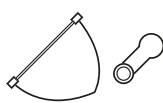
**FUNE
GUIDATA
BOWDEN TYPE**

**DOPPIA
FUNE GUIDATA
DOUBLE
BOWDEN TYPE**

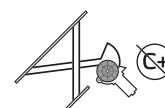
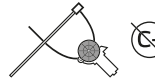
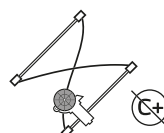
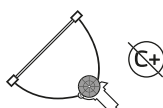
**CAVO
A SPIRALE
CABLE SYSTEM**

**BRACCI
INCROCIATI
SCISSORS
SYSTEM**

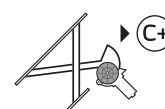
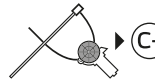
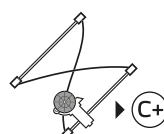
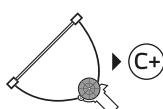
- ALZACRISTALLO MANUALE
- *MANUAL WINDOW REGULATOR*
- MANUELLER FENSTERHEBER
- *LEVE-VITRE MANUEL*
- ELEVACIONES MANUAL



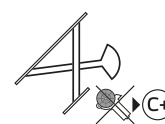
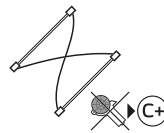
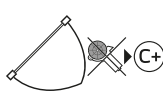
- ALZACRISTALLO CON MOTORE 2 PIN
- *ELECTRIC WINDOW REGULATOR WITHOUT COMFORT FUNCTION*
- FENSTERHEBER MIT 2 POLIGEM MOTOR
- *LEVE-VITRE AVEC MOTEUR 2 PINS*
- ELEVACIONES CON MOTOR CON 2 PINES



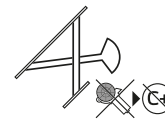
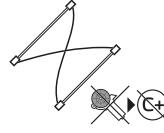
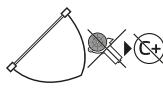
- ALZACRISTALLO CON MOTORE COMFORT
- *ELECTRIC WINDOW REGULATOR WITH COMFORT FUNCTION*
- FENSTERHEBER MIT KOMFORT-MOTOR
- *LEVE-VITRE AVEC MOTEUR CONFORT*
- ELEVACIONES CON MOTOR COMFORT



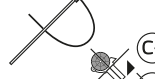
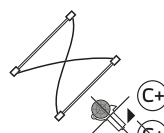
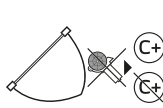
- SOLO MECCANISMO PER MOTORI CON FUNZIONE COMFORT
- *MECHANISM ONLY FOR COMFORT FUNCTION MOTOR*
- NUR MECHANISMUS FÜR MOTOR MIT KOMFORTFUNKTION
- *MECANISME POUR CONFORT MOTEUR UNIQUEMENT*
- SOLO MECANISMO PARA MOTOR COMFORT



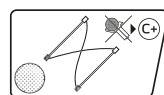
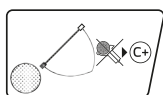
- SOLO MECCANISMO PER MOTORI 2 PIN
- *MECHANISM ONLY FOR MOTOR WITHOUT FUNCTION*
- NUR MECHANISMUS FÜR 2 POLIGEN MOTOR
- *MECANISME POUR MOTEUR AVEC 2 PINS UNIQUEMENT*
- SOLO MECANISMO PARA MOTOR 2 PINES



- SOLO MECCANISMO PER MOTORE CON E SENZA FUNZIONE COMFORT
- *MECHANISM ONLY FOR MOTOR WITH/WITHOUT COMFORT FUNCTION*
- NUR MECHANISMUS FÜR MOTOR MIT KOMFORTFUNKTION/2 POLIGEN MOTOR
- *MECANISME POUR MOTEUR AVEC/SANS COMFORT*
- SOLO MECANISMO PARA MOTOR COMFORT/2 PINES



- PANNELLO CON MECCANISMO PER MOTORI CON FUNZIONE COMFORT
- *PANEL WITH MECHANISM ONLY FOR COMFORT FUNCTION MOTOR*
- RÜCKENPLATTE MIT MECHANISMUS FÜR MOTOR MIT KOMFORTFUNKTION
- *PANNEAU AVEC MECANISME POUR MOTEUR AVEC FONCTION CONFORT*
- PANEL CON MECANISMO PARA MOTOR CON FUNCION CONFORT



INQUADRA IL QR CODE PER SCARICARE LE ISTRUZIONI DI MONTAGGIO

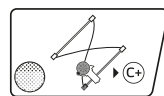
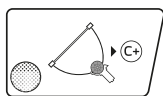
SCAN THE QR CODE TO DOWNLOAD THE FITTING INSTRUCTION

ZUM HERUNTERLADEN DER MONTAGEANLEITUNG QR-CODE MIT SMARTPHONE EINLESEN

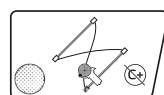
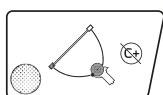
SCANNER LE CODE QR POUR TELECHARGER LES INSTRUCTIONS DE MONTAGE

ESCANEAR EL CÓDIGO QR PARA DESCARGAR LAS INSTRUCCIONES DE MONTAJE

- PANNELLO CON SISTEMA COMFORT
- *PANEL WITH ELECTRIC WINDOW REGULATOR WITH COMFORT FUNCTION*
- RÜCKENPLATTE MIT KOMFORTSYSTEM
- *PANNEAU AVEC SYSTEME CONFORT*
- PANEL CON SISTEMA COMFORT



- PANNELLO CON SISTEMA 2 PIN
- *PANEL WITH ELECTRIC WINDOW REGULATOR WITHOUT COMFORT FUNCTION*
- RÜCKENPLATTE MIT 2-POL-SYSTEM
- *PANNEAU AVEC SYSTEME 2 PINS*
- PANEL CON SISTEMA 2 PINES



PORTE | NUMBERS OF DOORS | TÜREN | PORTES | PUERTAS

LATO SINISTRO
LEFT HAND SIDE
LINKE SEITE
CÔTÉ GAUCHE
LADO IZQUIERDO

LATO DESTRO
RIGHT HAND SIDE
RECHTE SEITE
CÔTÉ DROIT
LADO DERECHO

LATO SINISTRO E DESTRO
LEFT AND RIGHT HAND SIDE
LINKE UND RECHTE SEITE
CÔTÉ GAUCHE ET DROIT
LADO IZQUIERDO Y DERECHO

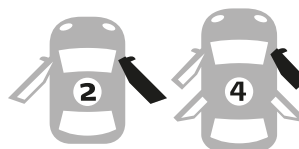
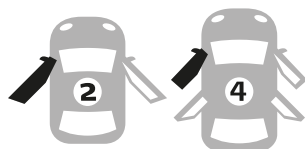
- 2 PORTE ANTERIORI
- 2 DOORS FRONT
- 2-TÜRER VORNE
- 2 PORTES AVANT
- 2 PUERTAS DELANTERO



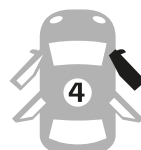
- 2 PORTE POSTERIORI
- 2 DOORS REAR
- 2-TÜRER HINTEN
- 2 PORTES ARRIERE
- 2 PUERTAS TRASERO



- 2/4 PORTE ANTERIORI
- 2/4 DOORS FRONT
- 2/4-TÜRER VORNE
- 2/4 PORTES AVANT
- 2/4 PUERTAS DELANTERO



- 4 PORTE ANTERIORI
- 4 DOORS FRONT
- 4-TÜRER VORNE
- 4 PORTES AVANT
- 4 PUERTAS DELANTERO



- 4 PORTE POSTERIORI
- 4 DOORS REAR
- 4-TÜRER HINTEN
- 4 PORTES ARRIERE
- 4 PUERTAS TRASERO



- LUNOTTO POSTERIORE
- REAR WINDOW
- HECKSCHEIBE
- LUNETTE ARRIERE
- LUNETTA TRASERA



- COMPATIBILE CON FUNZIONE COMFORT
- COMPATIBLE WITH COMFORT FUNCTION
- KOMPATIBEL MIT KOMFORT-FUNKTION
- COMPATIBLE AVEC FONCTION CONFORT
- CON FUNCION CONFORT



- SOLO MOTORE CON FUNZIONE COMFORT
- MOTOR ONLY WITH COMFORT FUNCTION
- NUR MOTOR MIT KOMFORT-FUNKTION
- MOTEUR AVEC FONCTION CONFORT UNIQUEMENT
- SOLO MOTOR CON FUNCION CONFORT



- NON COMPATIBILE CON FUNZIONE COMFORT
- NOT COMPATIBLE WITH COMFORT FUNCTION
- NICHT KOMPATIBEL MIT KOMFORT-FUNKTION
- NON COMPATIBLE AVEC FONCTION CONFORT
- SIN FUNCION CONFORT



- SOLO MOTORE SENZA FUNZIONE COMFORT
- MOTOR ONLY WITHOUT COMFORT FUNCTION
- NUR MOTOR OHNE KOMFORT-FUNKTION
- MOTEUR SANS FONCTION CONFORT UNIQUEMENT
- SOLO MOTOR SIN FUNCION CONFORT

ALGO GROUP

AUTOMOTIVE COMPONENTS

Leader in production, development and distribution of window regulators and door handles for passenger cars and industrial vehicles both for Aftermarket and OE channel.

Algo has over 60 years of experience and its products are designed for a lifetime.

3 PRODUCTION CENTER



1 WINDOW REGULATOR OUT OF 3 IS PRODUCED FOR THE ORIGINAL EQUIPMENT



PRESENT IN COUNTRIES **50**



3 LOGISTIC WAREHOUSES



+300 CLIENTS



5000 CODE IN RANGE



 **MIRAGLIO**



ALGO GROUP

ALGO Group è leader nello **sviluppo, produzione e distribuzione** di alzacristalli e maniglie per auto e veicoli industriali, sia per il mercato del ricambio che per il primo equipaggiamento dove vanta oltre 60 anni di esperienza. Tutta la filiera industriale è seguita nei minimi dettagli, garantendo sempre una sostanziale accelerazione delle crescite tecnologiche e delle innovazioni ed è riconosciuto da sempre come un partner **affidabile** che supporta le più grandi multinazionali automobilistiche nello sviluppo tecnico e commerciale.

I nostri valori



MADE IN ITALY

Dalla progettazione al prodotto finito garantiamo alta qualità e affidabilità grazie alla professionalità e al know-how dei nostri team di esperti.



INNOVAZIONE

Grazie a una costante analisi e sperimentazione utilizziamo le più moderne tecnologie per disegnare insieme un futuro sicuro ed efficiente.



SERVIZIO

Il principale focus è il nostro cliente, che assistiamo sul fronte tecnico, logistico e mediante assistenza post-vendita raccogliendo feedback qualitativi.

*ALGO Group is a leader in the **development, production and distribution** of window regulators and handles for cars and industrial vehicles, both for the aftermarket and original equipment where it boasts over 60 years of experience. The entire industrial chain is monitored down to the smallest detail, to ensure a constant acceleration of technological growth and innovations and it has always been recognized as a **reliable** partner that supports the largest automotive multinationals in technical and commercial development.*

Our values



MADE IN ITALY

From design to the final product, we guarantee high quality and reliability thanks to the expertise and know-how of our expert teams.



INNOVATION

Thanks to constant analysis and experimentation, we use the most modern technologies to design a safe and efficient future together.

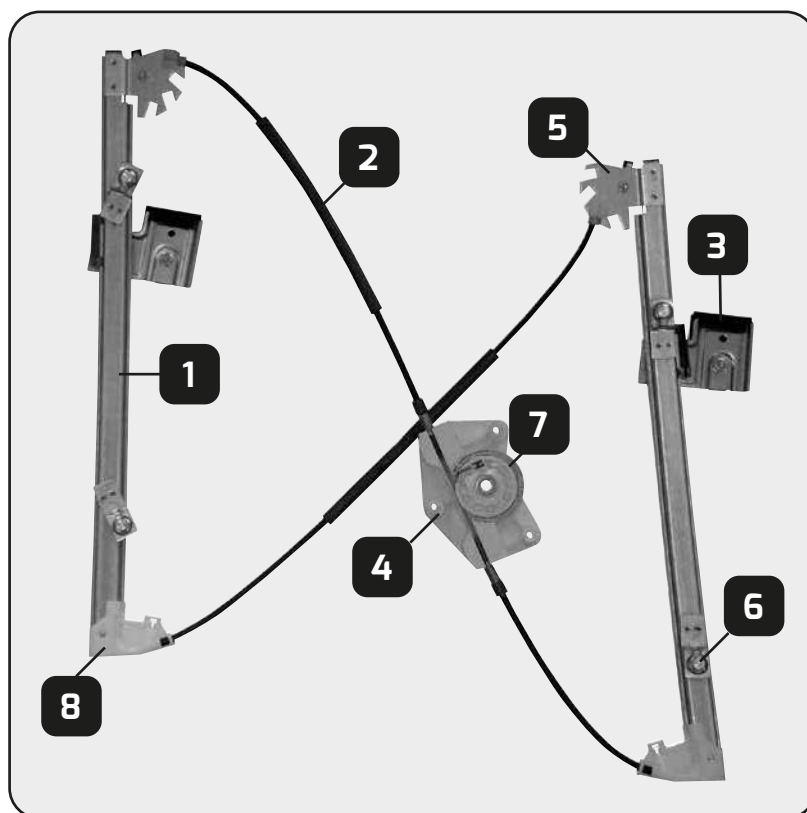


SERVICE

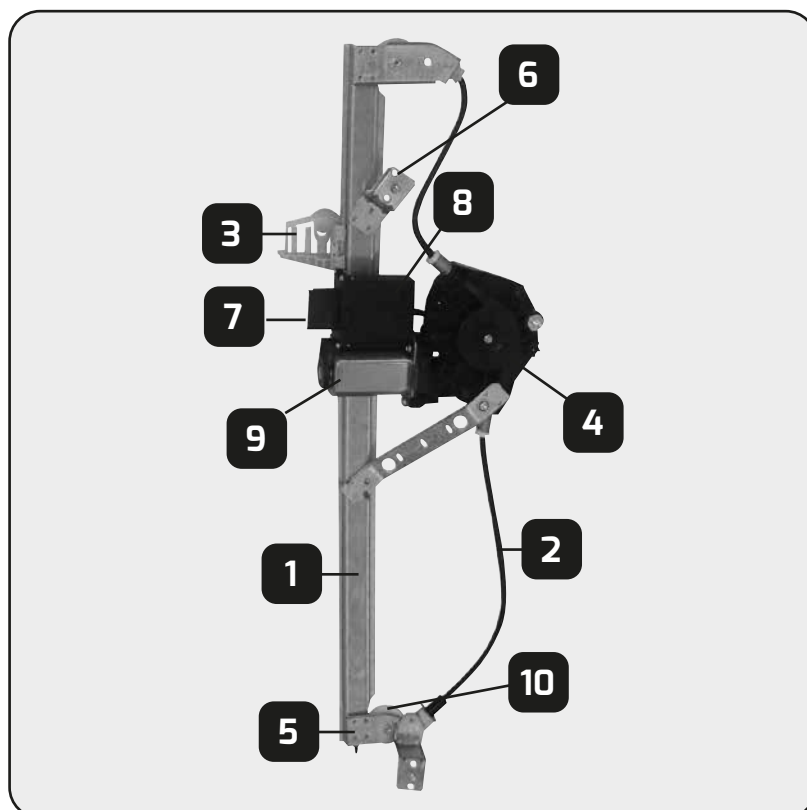
The main focus is our customer, which is why we try to assist him on the technical, logistic and after-sales aspects by collecting qualitative feedback.

**DOPPIA FUNE GUIDATA | DOUBLE BOWDEN TYPE
MECCANISMO | MECHANICAL PART ONLY**

- 1** GUIDA
RAIL
- 2** FUNE
CABLE
- 3** PATTINO / PIASTRA DI SOLLEVAMENTO
SLIDING GLASS FIXATION PLATE
- 4** CARTELLA FISSAGGIO MOTORIDUTTORE
MOTOR FIXATION PLATE
- 5** STAFFA PORTACARRUCOLA
ROLLER BRACKET
- 6** STAFFA DI FISSAGGIO
FIXATION BRACKET
- 7** TAMBURO
DRUM
- 8** GOMITO IN PLASTICA
PLASTIC ELBOW

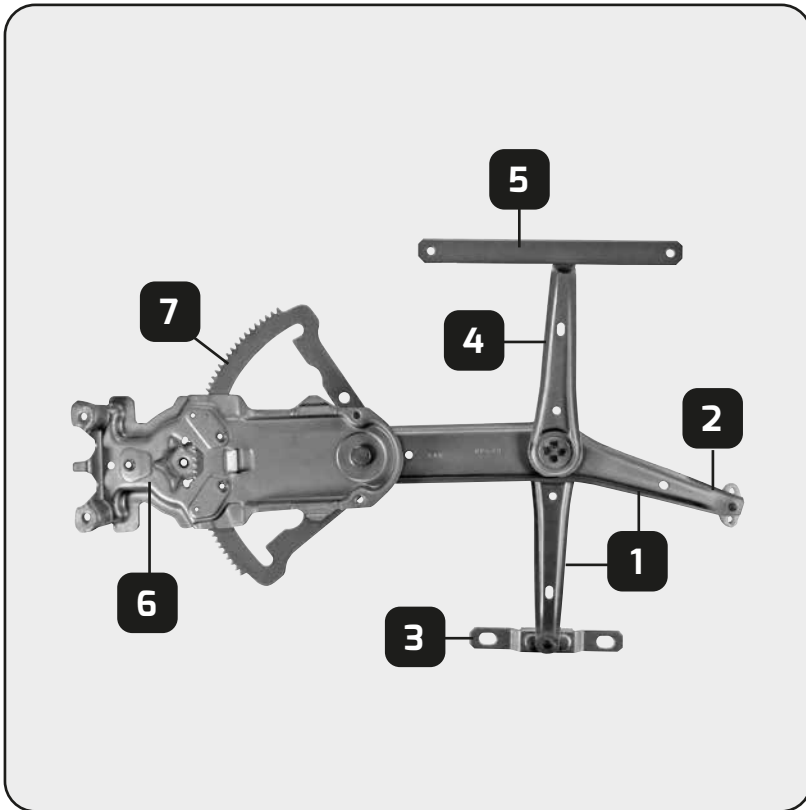

**FUNE GUIDATA | BOWDEN TYPE
ALZACRISTALLO COMPLETO | WINDOW LIFTER WITH MOTOR**

- 1** GUIDA
RAIL
- 2** FUNE
CABLE
- 3** PATTINO / PIASTRA DI SOLLEVAMENTO
SLIDING GLASS FIXATION PLATE
- 4** CARTELLA FISSAGGIO MOTORIDUTTORE
MOTOR FIXATION PLATE
- 5** STAFFA PORTACARRUCOLA
ROLLER BRACKET
- 6** STAFFA DI FISSAGGIO
FIXATION BRACKET
- 7** CONNETTORE
CONNECTOR
- 8** CENTRALINA
ELECTRONIC BOX
- 9** MOTORIDUTTORE
MOTOR
- 10** CARRUCOLA
ROLLER



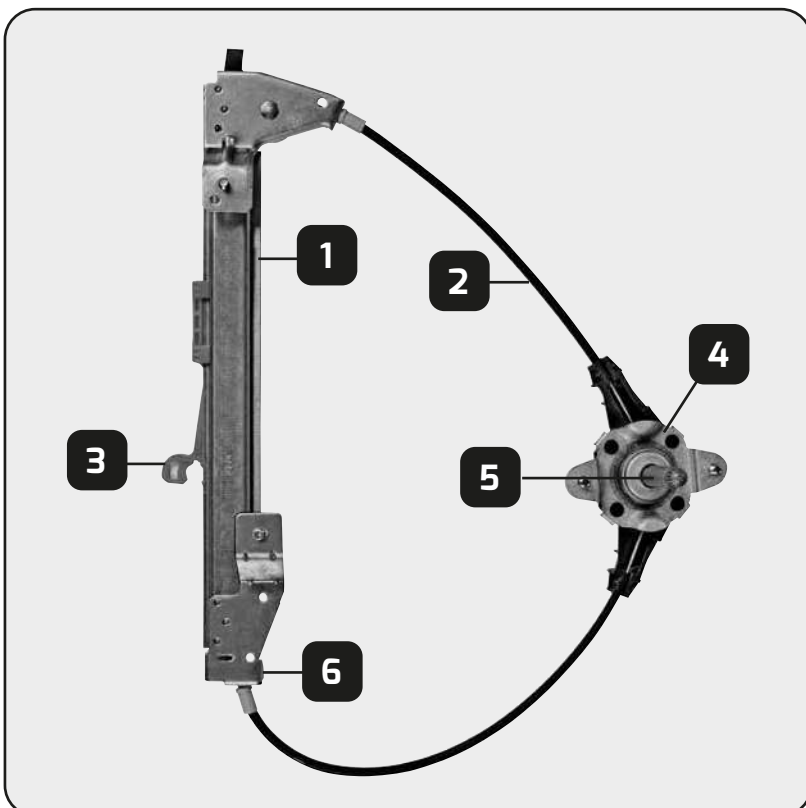
ALZACRISTALLI WINDOW REGULATORS

BRACCI INCROCIATI | *SCISSORS SYSTEM*



- BRACCIO SOLLEVAMENTO VETRO
GLASS LIFTING ARM 1
- SNODO ATTACCO GUIDA VETRO
GLASS RAIL BLOCK 2
- ATTACCO GUIDA VETRO
FIXATION BRACKET 3
- BRACCIO DI FISSAGGIO
FIXATION ARM 4
- GUIDA DI REGOLAZIONE
ADJUSTING RAIL 5
- PIASTRA DI FISSAGGIO
FIXATION PLATE 6
- CREMAGLIERA
RACK 7

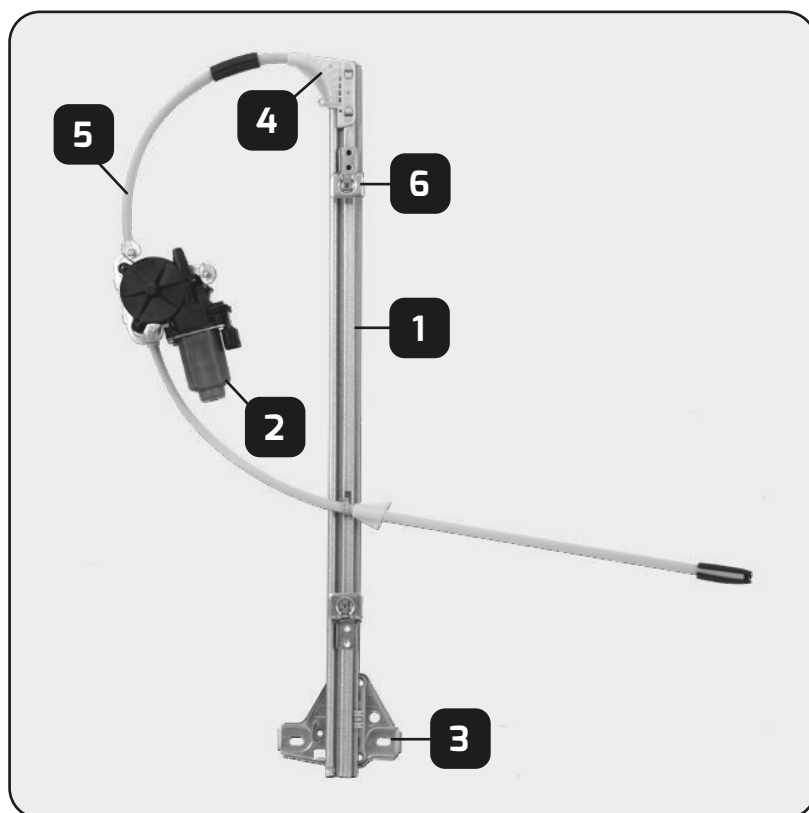
FUNE GUIDATA | *BOWDEN TYPE* ALZACRISTALLO MANUALE | *MANUAL*



- GUIDA
RAIL 1
- FUNE
CABLE 2
- PATTINO / PIASTRA DI SOLLEVAMENTO
SLIDING GLASS FIXATION PLATE 3
- CARTELLA
CENTRAL FIXATION PLATE 4
- ALBERINO ATTACCO MANIGLIA
SHAFT 5
- STAFFA DI FISSAGGIO
FIXATION BRACKET 6

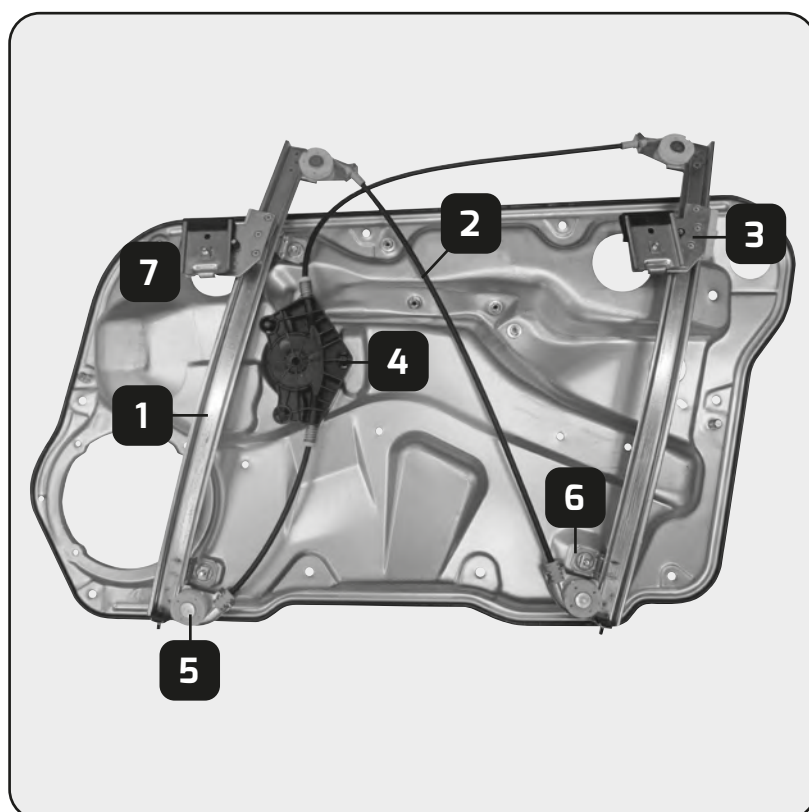
CAVO A SPIRALE | CABLE SYSTEM

- 1** GUIDA
RAIL
- 2** MOTORIDUTTORE
MOTOR
- 3** PATTINO / PIASTRA DI SOLLEVAMENTO
SLIDING GLASS FIXATION PLATE
- 4** GOMITO DI PLASTICA
PLASTIC ELBOW
- 5** TUBO
PLASTIC TUBE
- 6** STAFFA DI FISSAGGIO
FIXATION BRACKET



PANNELLO | PANEL

- 1** GUIDA
RAIL
- 2** FUNE
CABLE
- 3** PATTINO / PIASTRA DI SOLLEVAMENTO
SLIDING GLASS FIXATION PLATE
- 4** CARTELLA FISSAGGIO MOTORIDUTTORE
MOTOR FIXATION PLATE
- 5** CARRUCOLA
ROLLER
- 6** STAFFA DI FISSAGGIO
FIXATION BRACKET
- 7** PANNELLO
PANEL



SOLO MOTORE SENZA FUNZIONE COMFORT | ONLY MOTOR WITHOUT COMFORT FUNCTION



SOLO MOTORE CON FUNZIONE COMFORT | ONLY MOTOR WITH COMFORT FUNCTION





ALZACRISTALLI

WINDOW REGULATORS

FENSTERHEBER

LEVE-VITRES

ELEVALUNAS

| | |
|------------------|-----|
| ABARTH | 6 |
| ALFA ROMEO | 8 |
| ASTRA | 16 |
| AUDI | 17 |
| BMW | 31 |
| CHEVROLET DAEWOO | 46 |
| CITROEN | 50 |
| DACIA | 75 |
| DAF | 79 |
| DAIHATSU | 82 |
| DODGE CHRYSLER | 83 |
| DR MOTOR COMPANY | 84 |
| DS | 85 |
| EVO | 86 |
| FIAT | 87 |
| FORD | 117 |
| HONDA | 136 |
| HYUNDAI | 143 |
| INNOCENTI | 152 |

| | |
|----------------------|-----|
| ISUZU | 153 |
| IVECO | 155 |
| JAGUAR | 168 |
| JEEP | 170 |
| KIA | 175 |
| LADA | 181 |
| LANCIA | 182 |
| LAND ROVER | 188 |
| MAN | 195 |
| MASERATI | 197 |
| MAZDA | 198 |
| MERCEDES BENZ | 201 |
| MERCEDES BENZ TRUCKS | 215 |
| MG | 217 |
| MINI | 218 |
| MITSUBISHI | 222 |
| NISSAN | 228 |
| OM | 246 |
| OPEL VAUXHALL | 246 |

| | |
|----------------|-----|
| PEUGEOT | 269 |
| PIAGGIO | 295 |
| PORSCHE | 296 |
| RENAULT | 298 |
| RENAULT TRUCKS | 324 |
| ROVER | 327 |
| SAAB | 330 |
| SCANIA | 333 |
| SEAT | 335 |
| SKODA | 346 |
| SMART | 357 |
| SSANGYONG | 359 |
| SUBARU | 361 |
| SUZUKI | 364 |
| TATA | 370 |
| TESLA | 372 |
| TOYOTA | 373 |
| VOLKSWAGEN | 387 |
| VOLVO | 415 |

| Modello Model | Porte Doors | Configurazione Configurations | Foto Pictures | Connettore Connector | Cross OE | Alt. OE | Istruzioni Instructions |
|------------------|----------------|----------------------------------|------------------|-------------------------|----------|---------|----------------------------|
|------------------|----------------|----------------------------------|------------------|-------------------------|----------|---------|----------------------------|

500 / 595 / 695 2 D 2008 ->

| | | | | | | | |
|---------|--|--|---|--|--|--|--|
| 30/3120 | | | | | 51785841 51824040 51876269 51889364 | | |
| 30/3121 | | | POWER WINDOW LEFT ALZACRISTALLI ELETTRICO SX | | 51785413 51824038 51876267 51889362 | | |

500C / 595C / 695C 2 D 2008 ->

| | | | | | | | |
|---------|--|--|---|--|--|--|--|
| 30/3120 | | | | | 51785841 51824040 51876269 51889364 | | |
| 30/3121 | | | POWER WINDOW LEFT ALZACRISTALLI ELETTRICO SX | | 51785413 51824038 51876267 51889362 | | |

GRANDE PUNTO (199_) 2 D 2005 -> 2010

| | | | | | | | |
|---------|--|--|--------|--|--|-------------------------------------|--|
| 30/978 | | | | | 51723316 51765575 51786729 51895385 | | |
| 30/977 | | | | | 51723315 51765574 51786728 51895384 | | |
| 30/976 | | | OE | | 51723318 51899291 52055487 | | |
| 30/975 | | | | | 51723317 51899290 52055486 | | |
| 30/1225 | | | OE | | | 51723318* 51723381* 51899291* | |
| 30/1224 | | | | | | 51723317* 51899290* 52055486* | |

GRANDE PUNTO (199_) 4 D 2005 -> 2010

| | | | | | | | |
|--------|--|--|--|--|--|--|--|
| 30/978 | | | | | 51723316 51765575 51786729 51895385 | | |
| 30/977 | | | | | 51723315 51765574 51786728 51895384 | | |

| Modello Model | Porte Doors | Configurazione Configurations | Foto Pictures | Connettore Connector | Cross OE | Alt. OE | Istruzioni Instructions |
|------------------|----------------|----------------------------------|------------------|-------------------------|----------|---------|----------------------------|
|------------------|----------------|----------------------------------|------------------|-------------------------|----------|---------|----------------------------|

GRANDE PUNTO (199_) 4 D 2005 -> 2010




| | | | | | | | |
|---------|--|--|--|--|----------------------------------|-------------------------------------|--|
| 30/976 | | | | | 51723318 51899291 52055487 | | |
| 30/975 | | | | | 51723317 51899290 52055486 | | |
| 30/1225 | | | | | | 51723318* 51723381* 51899291* | |
| 30/1224 | | | | | | 51723317* 51899290* 52055486* | |
| 30/7078 | | | | | | 51723328* 51899293* 52055489* | |
| 30/7077 | | | | | | 51723327* 51899292* 52055488* | |
| 30/980 | | | | | 51723328 51899293 52055489 | | |
| 30/979 | | | | | 51723327 51899292 52055488 | | |
| 30/220B | | | | | 51723324 | | |
| 30/220 | | | | | 51723323 | | |
| 30/1617 | | | | | | 51723328* 51899293* 52055489* | |
| 30/1616 | | | | | | 51723327* 51899292* 52055488* | |

| Modello Model | Porte Doors | Configurazione Configurations | Foto Pictures | Connettore Connector | Cross OE | Alt. OE | Istruzioni Instructions |
|------------------|----------------|----------------------------------|------------------|-------------------------|----------|---------|----------------------------|
|------------------|----------------|----------------------------------|------------------|-------------------------|----------|---------|----------------------------|

145 (930_) 2 D 1994 -> 2001

| | | | | | | | |
|--------|---|---|--|--|--|--|---|
| 30/756 |  |  |  <small>POWER WINDOW LEFT ALZACRISTALLI ELETTRICO SX</small> |  | 46743275 46761606 60575339 60609653 | |  |
| 30/755 |  | | | | 46743274 46761605 60575338 60609652 | | |

146 (930_) 4 D 1994 -> 2001

| | | | | | | | |
|--------|---|---|--|--|--|--|---|
| 30/756 |  |  |  <small>POWER WINDOW LEFT ALZACRISTALLI ELETTRICO SX</small> |  | 46743275 46761606 60575339 60609653 | |  |
| 30/755 |  | | | | 46743274 46761605 60575338 60609652 | | |

30/772

| | | | | | | | |
|--------|--|--|---|---|----------------------------------|--|--|
| 30/772 |  |  |  <small>POWER WINDOW LEFT ALZACRISTALLI ELETTRICO SX</small> |  | 46743277 60607211 60608515 | |  |
| 30/771 |  | | | | 46743276 60607210 60608514 | | |

147 (937_) 2 D 2000 -> 2010

| | | | | | | | |
|--------|---|---|---|--|----------|--|---|
| 30/860 |  |  |  <small>POWER WINDOW RIGHT ALZACRISTALLI ELETTRICO DX</small> |  | 46751871 | |  |
| 30/859 |  | | | | 46751870 | | |

147 (937_) 4 D 2000 -> 2010

| | | | | | | | |
|--------|---|---|---|--|----------|--|---|
| 30/860 |  |  |  <small>POWER WINDOW RIGHT ALZACRISTALLI ELETTRICO DX</small> |  | 46751871 | |  |
| 30/859 |  | | | | 46751870 | | |

30/884

| | | | | | | | |
|--------|---|---|--|--|----------|--|---|
| 30/884 |  |  |  <small>POWER WINDOW LEFT ALZACRISTALLI ELETTRICO SX</small> |  | 46739795 | |  |
| 30/883 |  | | | | 46739794 | | |

| Modello Model | Porte Doors | Configurazione Configurations | Foto Pictures | Connettore Connector | Cross OE | Alt. OE | Istruzioni Instructions |
|------------------|----------------|----------------------------------|------------------|-------------------------|----------|---------|----------------------------|
|------------------|----------------|----------------------------------|------------------|-------------------------|----------|---------|----------------------------|

155 (167_) 4 D 1992 -> 1997

| | | | | | | | |
|--------|--|--|--|--|--|--|--|
| 30/762 | | | | | 7595322 7695160 60505919 60609673 | | |
| 30/761 | | | | | 7595321 7695159 60505918 60609672 | | |

156 (932_) 4 D 1997 -> 2005

| | | | | | | | |
|---------|--|--|--|--|--|--|--|
| 30/820 | | | | | 60650544 60671195 60672272 60672278 | | |
| 30/819 | | | | | 60650543 60671194 60672271 60672277 | | |
| 30/954 | | | | | 60650546 60672274 60695868 | | |
| 30/953 | | | | | 60650545 60672273 60695864 | | |
| 30/217B | | | | | 60650548 60668171 60672276 60695867 | | |
| 30/217 | | | | | 60650547 60668170 60672275 60695863 | | |

156 (932_) SPORTWAGON 4 D 1997 -> 2006


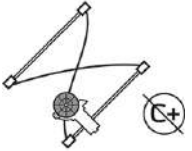




| | | | | | | | |
|---------|--|--|--|--|--|--|--|
| 30/820 | | | | | 60650544 60671195 60672272 60672278 | | |
| 30/819 | | | | | 60650543 60671194 60672271 60672277 | | |
| 30/954 | | | | | 60650546 60672274 60695868 | | |
| 30/953 | | | | | 60650545 60672273 60695864 | | |
| 30/217B | | | | | 60650548 60668171 60672276 60695867 | | |
| 30/217 | | | | | 60650547 60668170 60672275 60695863 | | |

| Modello Model | Porte Doors | Configurazione Configurations | Foto Pictures | Connettore Connector | Cross OE | Alt. OE | Istruzioni Instructions |
|------------------|----------------|----------------------------------|------------------|-------------------------|----------|---------|----------------------------|
|------------------|----------------|----------------------------------|------------------|-------------------------|----------|---------|----------------------------|

159 (939_) 4 D 2005 -> 2012

| | | | | | | | |
|---------|---|---|---|--|----------------------|-------------------------------------|---|
| 30/7001 |  |  |  |  | | 71710175* 71710176* |  |
| 30/7002 |  | | | | | 71740121* 71740122* | |
| 30/2211 |  |  |  |  | 71740122 | |  |
| 30/2210 |  | | | | 71740176 | | |
| 30/1143 |  |  |  |  | 71740175 | |  |
| 30/1142 |  | | | | 71740121 | | |
| 30/7003 |  |  |  |  | | 71740124* 71740177* 71769766* |  |
| 30/7004 |  | | | | | 71740123* 71740125* 71769765* | |
| 30/3030 |  |  |  |  | 71740177 | |  |
| 30/3029 |  | | | | 71740125 | | |
| 30/1145 |  |  |  |  | 71740124 71769766 | |  |
| 30/1144 |  | | | | 71740123 71769765 | | |

159 (939_) SPORTWAGON 4 D 2005 -> 2012

| | | | | | | | |
|---------|---|---|---|--|--|------------------------|---|
| 30/7001 |  |  |  |  | | 71710175* 71710176* |  |
| 30/7002 |  | | | | | 71740121* 71740122* | |

| Modello Model | Porte Doors | Configurazione Configurations | Foto Pictures | Connettore Connector | Cross OE | Alt. OE | Istruzioni Instructions |
|------------------|----------------|----------------------------------|------------------|-------------------------|----------|---------|----------------------------|
|------------------|----------------|----------------------------------|------------------|-------------------------|----------|---------|----------------------------|

159 (939_) SPORTWAGON 4 D 2005 -> 2012

| | | | | | | | |
|---------|--|--|--|--|-----------|-----------|--|
| 30/2211 | | | | | 71740122 | | |
| 30/2210 | | | | | 71740176 | | |
| 30/1143 | | | | | 71740175 | | |
| 30/1142 | | | | | 71740121 | | |
| 30/7003 | | | | | 71740124* | 71740177* | |
| 30/7004 | | | | | 71740123* | 71740125* | |
| 30/3030 | | | | | 71740177 | | |
| 30/3029 | | | | | 71740125 | | |
| 30/1145 | | | | | 71740124 | 71769766 | |
| 30/1144 | | | | | 71740123 | 71769765 | |

164 (164_) 4 D 1987 -> 1998

| | | | | | | | |
|--------|--|--|--|--|-----------|-----------|--|
| 30/505 | | | | | 60547158* | 60549185* | |
| 30/504 | | | | | 60547157* | 60549184* | |
| 30/506 | | | | | 60547157* | 60590278* | |

| Modello Model | Porte Doors | Configurazione Configurations | Foto Pictures | Connettore Connector | Cross OE | Alt. OE | Istruzioni Instructions |
|------------------|----------------|----------------------------------|------------------|-------------------------|----------|---------|----------------------------|
|------------------|----------------|----------------------------------|------------------|-------------------------|----------|---------|----------------------------|

166 (936_) 4 D 1998 -> 2007

| | | | | | | | |
|---------|--|--|--|--|----------------------------------|--|--|
| 30/1553 | | | | | 60609534 60663834 60672257 | | |
| 30/1552 | | | | | 60609533 60663833 60672258 | | |
| 30/7005 | | | | | 60613417 60672259 | | |
| 30/7006 | | | | | 60613416 60672260 | | |

33 (905_) 4 D 1983 -> 1993

| | | | | | | | |
|--------|--|--|--|--|--|--|--|
| 30/501 | | | | | 60505566 60505569 60573687 60703235 | | |
| 30/500 | | | | | 60505260 60505563 60573516 60703234 | | |

33 (905_) SPORTWAGON 4 D 1984 -> 1989

| | | | | | | | |
|--------|--|--|--|--|--|--|--|
| 30/501 | | | | | 60505566 60505569 60573687 60703235 | | |
| 30/500 | | | | | 60505260 60505563 60573516 60703234 | | |

33 (907_) 4 D 1990 -> 1994

| | | | | | | | |
|--------|--|--|--|--|--|--|--|
| 30/501 | | | | | 60505566 60505569 60573687 60703235 | | |
| 30/500 | | | | | 60505260 60505563 60573516 60703234 | | |

33 (907_) SPORTWAGON 4 D 1990 -> 1994

| | | | | | | | |
|--------|--|--|--|--|--|--|--|
| 30/501 | | | | | 60505566 60505569 60573687 60703235 | | |
| 30/500 | | | | | 60505260 60505563 60573516 60703234 | | |

| Modello Model | Porte Doors | Configurazione Configurations | Foto Pictures | Connettore Connector | Cross OE | Alt. OE | Istruzioni Instructions |
|------------------|----------------|----------------------------------|------------------|-------------------------|----------|---------|----------------------------|
|------------------|----------------|----------------------------------|------------------|-------------------------|----------|---------|----------------------------|

75 (162B_) 4 D 1985 -> 1992

| | | | | | | | |
|--------|--|--|--|--|--------------------------------------|--|--|
| 30/503 | | | | | 60509528 60527555 161007400500 | | |
| 30/502 | | | | | 60509527 60527552 161007400400 | | |

GIULIA (952_) 4 D 2015 ->

| | | | | | | | |
|---------|--|--|--|--|----------|------------------------|--|
| 30/2662 | | | | | | 50532603* 71779148* | |
| 30/2661 | | | | | | 50532604* 71779148* | |
| 30/2664 | | | | | 71779155 | | |
| 30/2663 | | | | | 71779154 | | |

GIULIETTA (116_) 4 D 1977 -> 1985

| | | | | | | | |
|--------|--|--|--|--|--------------------------------------|--|--|
| 30/503 | | | | | 60509528 60527555 161007400500 | | |
| 30/502 | | | | | 60509527 60527552 161007400400 | | |

GIULIETTA (940_) 4 D 2010 -> 2020

| | | | | | | | |
|---------|--|--|--|--|----------------------|--|--|
| 30/1278 | | | | | 71754415 71777779 | | |
| 30/1275 | | | | | 71754404 | | |
| 30/1274 | | | | | 71754403 | | |

| Modello Model | Porte Doors | Configurazione Configurations | Foto Pictures | Connettore Connector | Cross OE | Alt. OE | Istruzioni Instructions |
|------------------|----------------|----------------------------------|------------------|-------------------------|----------|---------|----------------------------|
|------------------|----------------|----------------------------------|------------------|-------------------------|----------|---------|----------------------------|

GIULIETTA (940_) 4 D 2010 -> 2020

| | | | | | | | |
|---------|--|--|--|--|----------------------|------------------------|--|
| 30/1398 | | | | | | 71754404* 71754406* | |
| 30/1397 | | | | | | 71754403* 71754405* | |
| 30/1285 | | | | | 71754432 71777782 | | |
| 30/1284 | | | | | 71754431 71777781 | | |
| 30/1281 | | | | | 71754422 | | |
| 30/1280 | | | | | 71754421 | | |
| 30/1283 | | | | | 71754424 | | |
| 30/1282 | | | | | 71754423 | | |
| 30/1400 | | | | | | 71754422* 71754424* | |
| 30/1399 | | | | | | 71754421* 71754423* | |

MILANO (162_) 4 D 1985 -> 1992

| | | | | | | | |
|--------|--|--|--|--|--------------------------------------|--|--|
| 30/503 | | | | | 60509528 60527555 161007400500 | | |
| 30/502 | | | | | 60509527 60527552 161007400400 | | |

MITO (955_) 2 D 2008 -> 2018

| | | | | | | | |
|---------|--|--|--|--|--|--|--|
| 30/1555 | | | | | | 50509158* 50515590* 50520951* 50526659* | |
| 30/1554 | | | | | | 50509157* 50515589* 50520950* 50526658* | |

| Modello Model | Porte Doors | Configurazione Configurations | Foto Pictures | Connettore Connector | Cross OE | Alt. OE | Istruzioni Instructions |
|------------------|----------------|----------------------------------|------------------|-------------------------|----------|---------|----------------------------|
|------------------|----------------|----------------------------------|------------------|-------------------------|----------|---------|----------------------------|

SPIDER (105_) CLASSIC CAR 2 D 1966 -> 1977

| | | | | | | | |
|---------|--|--|--|--|--------------------|--|--|
| 30/16ES | | | | | 105245502900 01 | | |
| 30/16ED | | | | | 105245502800 01 | | |

STELVIO (949_) 4 D 2016 ->

| | | | | | | | |
|---------|--|--|--|--|--|-------------|--|
| 30/2670 | | | | | | 6000626597* | |
| 30/2669 | | | | | | 6000626596* | |
| 30/2666 | | | | | | 6000626610* | |
| 30/2665 | | | | | | 6000626609* | |

| Modello Model | Porte Doors | Configurazione Configurations | Foto Pictures | Connettore Connector | Cross OE | Alt. OE | Istruzioni Instructions |
|------------------|----------------|----------------------------------|------------------|-------------------------|----------|---------|----------------------------|
|------------------|----------------|----------------------------------|------------------|-------------------------|----------|---------|----------------------------|

HD 9 2 D 2011 ->

| | | | | | | | |
|---------|--|--|--|--|---------------------------------------|--|--|
| 30/749 | | | | | 504040989 5801324893 504040988 | | |
| 30/748 | | | POWER WINDOW RIGHT ALZACRISTALLI ELETTRICO DX | | 504040988 5801321873 5801324907 | | |
| 30/1567 | | | | | 2997196 98407722 99487781 | | |
| 30/1566 | | | POWER WINDOW LEFT ALZACRISTALLI ELETTRICO SX | | 2997195 98407721 99487780 | | |

| Modello Model | Porte Doors | Configurazione Configurations | Foto Pictures | Connettore Connector | Cross OE | Alt. OE | Istruzioni Instructions |
|------------------|----------------|----------------------------------|------------------|-------------------------|----------|---------|----------------------------|
|------------------|----------------|----------------------------------|------------------|-------------------------|----------|---------|----------------------------|

100 C3 4 D 1982 -> 1991

| | | | | | | | |
|---------|--|--|--|--|--|----------------------------|--|
| 30/7009 | | | | | | 443837397D* 443959801G* | |
| 30/7010 | | | | | | 443837398D* 443959802G* | |

100 C3 AVANT 4 D 1982 -> 1990

| | | | | | | | |
|---------|--|--|--|--|--|----------------------------|--|
| 30/7009 | | | | | | 443837397D* 443959801G* | |
| 30/7010 | | | | | | 443837398D* 443959802G* | |

100 C4 4 D 1990 -> 1996

| | | | | | | | |
|---------|--|--|--|--|--|---------------------------|--|
| 30/7011 | | | | | | 4A0837461A* 4A0959801* | |
| 30/7012 | | | | | | 4A0837462A* 4A0959802* | |

100 C4 AVANT 4 D 1990 -> 1994

| | | | | | | | |
|---------|--|--|--|--|--|---------------------------|--|
| 30/7011 | | | | | | 4A0837461A* 4A0959801* | |
| 30/7012 | | | | | | 4A0837462A* 4A0959802* | |

200 C3 4 D 1983 -> 1991

| | | | | | | | |
|---------|--|--|--|--|--|----------------------------|--|
| 30/7009 | | | | | | 443837397D* 443959801G* | |
| 30/7010 | | | | | | 443837398D* 443959802G* | |

200 C3 AVANT 4 D 1983 -> 1991

| | | | | | | | |
|---------|--|--|--|--|--|----------------------------|--|
| 30/7009 | | | | | | 443837397D* 443959801G* | |
| 30/7010 | | | | | | 443837398D* 443959802G* | |

| Modello Model | Porte Doors | Configurazione Configurations | Foto Pictures | Connettore Connector | Cross OE | Alt. OE | Istruzioni Instructions |
|------------------|----------------|----------------------------------|------------------|-------------------------|----------|---------|----------------------------|
|------------------|----------------|----------------------------------|------------------|-------------------------|----------|---------|----------------------------|

80 B3 4 D 1986 -> 1991

| | | | | | | | |
|---------|--|--|--|--|--|---|--|
| 30/7007 | | | | | | 893837397A* 893837397B* 893959801D* | |
| 30/7008 | | | | | | 893837398A* 893837398B* 893959802D* | |

80 B4 CHASSIS R-> 4 D 1991 -> 1995

| | | | | | | | |
|---------|--|--|--|--|--|---|--|
| 30/7007 | | | | | | 893837397A* 893837397B* 893959801D* | |
| 30/7008 | | | | | | 893837398A* 893837398B* 893959802D* | |

90 B3 4 D 1987 -> 1991

| | | | | | | | |
|---------|--|--|--|--|--|---|--|
| 30/7007 | | | | | | 893837397A* 893837397B* 893959801D* | |
| 30/7008 | | | | | | 893837398A* 893837398B* 893959802D* | |

A1 (8X1, 8XK) 2 D 2010 -> 2019

| | | | | | | | |
|---------|--|--|--|--|------------|--|--|
| 30/1557 | | | | | | 8K0959801C* 8X3837461* 8X3837461A* | |
| 30/1556 | | | | | | 8K0959802C* 8X3837462* 8X3837462A* | |
| 30/7013 | | | | | 8K0959801C | | |
| 30/7014 | | | | | 8K0959802C | | |
| 30/1440 | | | | | | 8X3837461 8X3837461A | |
| 30/1439 | | | | | | 8X3837462 8X3837462A | |

| Modello Model | Porte Doors | Configurazione Configurations | Foto Pictures | Connettore Connector | Cross OE | Alt. OE | Istruzioni Instructions |
|------------------|----------------|----------------------------------|------------------|-------------------------|----------|---------|----------------------------|
|------------------|----------------|----------------------------------|------------------|-------------------------|----------|---------|----------------------------|

A1 (8XA, 8XF) SPORTBACK 4 D 2011 -> 2019

| | | | | | | | |
|---------|--|--|--|--|-------------------------|--|--|
| 30/1979 | | | | | 8X4837461 8X4837461A | | |
| 30/1978 | | | | | 8X4837462 8X4837462A | | |
| 30/2275 | | | | | 8X4839461 8X4839461A | | |
| 30/2274 | | | | | 8X4839462 8X4839462A | | |

A2 (8Z0) 4 D 2000 -> 2005

| | | | | | | | |
|---------|--|--|--|--|-------------------------|--|--|
| 30/1559 | | | | | 8Z0837461 | | |
| 30/1558 | | | | | 8Z0837462 | | |
| 30/2273 | | | | | 8Z0839461 8Z0839461B | | |
| 30/2272 | | | | | 8Z0839462 8Z0839462B | | |

A3 (8L1) 2 D 1996 -> 2006

| | | | | | | | |
|---------|--|--|--|--|-----------|--|--|
| 30/1125 | | | | | 8L3837461 | | |
| 30/1124 | | | | | 8L3837462 | | |

A3 (8L1) 4 D 1996 -> 2006

| | | | | | | | |
|---------|--|--|--|--|-----------|--|--|
| 30/1364 | | | | | 8L4837461 | | |
| 30/1363 | | | | | 8L4837462 | | |

| Modello Model | Porte Doors | Configurazione Configurations | Foto Pictures | Connettore Connector | Cross OE | Alt. OE | Istruzioni Instructions |
|------------------|----------------|----------------------------------|------------------|-------------------------|----------|---------|----------------------------|
|------------------|----------------|----------------------------------|------------------|-------------------------|----------|---------|----------------------------|

A3 (8L1) 4 D 1996 -> 2006

| | | | | | | | |
|---------|--|--|--|--|-----------|--|--|
| 30/1569 | | | | | 8L4839461 | | |
| 30/1568 | | | | | 8L4839462 | | |

A3 (8P1) 2 D 2003 -> 2013

| | | | | | | | |
|---------|--|--|--|--|---|--|--|
| 30/1133 | | | | | 8P3837461 8P3837461A 8P3837461B 8P3837461C | | |
| 30/1132 | | | | | 8P3837462 8P3837462A 8P3837462B 8P3837462C | | |

A3 (8PA) SPORTBACK 4 D 2004 -> 2015

| | | | | | | | |
|---------|--|--|--|--|---|--|--|
| 30/1135 | | | | | 8P4837461 8P4837461A 8P4837461B 8P4837461C | | |
| 30/1134 | | | | | 8P4837462 8P4837462A 8P4837462B 8P4837462C | | |
| 30/1293 | | | | | 8P4839461 8P4839461A 8P4839461B | | |
| 30/1292 | | | | | 8P4839462 8P4839462A 8P4839462B | | |

A3 (8VA,8VF) SPORTBACK 4 D 2012 -> 2021

| | | | | | | | |
|---------|--|--|--|--|-----------|--|--|
| 30/1921 | | | | | 8V4837461 | | |
| 30/1920 | | | | | 8V4837462 | | |
| 30/1923 | | | | | 8V4839461 | | |
| 30/1922 | | | | | 8V4839462 | | |

| Modello Model | Porte Doors | Configurazione Configurations | Foto Pictures | Connettore Connector | Cross OE | Alt. OE | Istruzioni Instructions |
|------------------|----------------|----------------------------------|------------------|-------------------------|----------|---------|----------------------------|
|------------------|----------------|----------------------------------|------------------|-------------------------|----------|---------|----------------------------|

A3 (8VS, 8VM) LIMOUSINE 4 D 2013 -> 2021

| | | | | | | | |
|---------|--|--|--|--|-----------|--|--|
| 30/1921 | | | | | 8V4837461 | | |
| 30/1920 | | | | | 8V4837462 | | |
| 30/1923 | | | | | 8V4839461 | | |
| 30/1922 | | | | | 8V4839462 | | |

A4 B5 (8D2) 4 D 1994 -> 2001

| | | | | | | | |
|---------|--|--|--|--|-----------|---|--|
| 30/7015 | | | | | | 8D0837461* 8D0959801B* 8D0959801D* 8D0959801F* | |
| 30/7016 | | | | | | 8D0837462* 8D0959802B* 8D0959802D* 8D0959802F* | |
| 30/1036 | | | | | 8D0837461 | | |
| 30/1035 | | | | | 8D0837462 | | |
| 30/7017 | | | | | | 8D0839461* 8D0959801E* 8D0959801G* 8D0839462* | |
| 30/7018 | | | | | | 8D0839462* 8D0959802C* 8D0959802E* 8D0959802G* | |
| 30/1384 | | | | | 8D0839461 | | |
| 30/1383 | | | | | 8D0839462 | | |

A4 B5 (8D5) AVANT 4 D 1994 -> 2002

| | | | | | | | |
|---------|--|--|--|--|--|---|--|
| 30/7015 | | | | | | 8D0837461* 8D0959801B* 8D0959801D* 8D0959801F* | |
| 30/7016 | | | | | | 8D0837462* 8D0959802B* 8D0959802D* 8D0959802F* | |

| Modello Model | Porte Doors | Configurazione Configurations | Foto Pictures | Connettore Connector | Cross OE | Alt. OE | Istruzioni Instructions |
|------------------|----------------|----------------------------------|------------------|-------------------------|----------|---------|----------------------------|
|------------------|----------------|----------------------------------|------------------|-------------------------|----------|---------|----------------------------|

A4 B5 (8D5) AVANT 4 D 1994 -> 2002

| | | | | | | | |
|---------|--|--|--|--|-----------|---|--|
| 30/1036 | | | | | 8D0837461 | | |
| 30/1035 | | | | | 8D0837462 | | |
| 30/7017 | | | | | | 8D0839461* 8D0959801E* 8D0959801G* 8D0839462* | |
| 30/7018 | | | | | | 8D0839462* 8D0959802C* 8D0959802E* 8D0959802G* | |
| 30/1384 | | | | | 8D0839461 | | |
| 30/1383 | | | | | 8D0839462 | | |

A4 B6 (8E2) 4 D 2000 -> 2005

| | | | | | | | |
|---------|--|--|--|--|---|--|--|
| 30/998 | | | | | 8E0837461 8E0837461A 8E0837461B 8E0837461C | | |
| 30/997 | | | | | 8E0837462 8E0837462A 8E0837462B 8E0837462C | | |
| 30/1209 | | | | | 8E0839461 8E0839461A 8E0839461B 8E0839461C | | |
| 30/1208 | | | | | 8E0839462 8E0839462A 8E0839462B 8E0839462C | | |

A4 B6 (8E5) AVANT 4 D 2000 -> 2005

| | | | | | | | |
|---------|--|--|--|--|---|--|--|
| 30/998 | | | | | 8E0837461 8E0837461A 8E0837461B 8E0837461C | | |
| 30/997 | | | | | 8E0837462 8E0837462A 8E0837462B 8E0837462C | | |
| 30/1209 | | | | | 8E0839461 8E0839461A 8E0839461B 8E0839461C | | |
| 30/1208 | | | | | 8E0839462 8E0839462A 8E0839462B 8E0839462C | | |

| Modello Model | Porte Doors | Configurazione Configurations | Foto Pictures | Connettore Connector | Cross OE | Alt. OE | Istruzioni Instructions |
|------------------|----------------|----------------------------------|------------------|-------------------------|----------|---------|----------------------------|
|------------------|----------------|----------------------------------|------------------|-------------------------|----------|---------|----------------------------|

A4 B8 (8K2) 4 D 2007 -> 2017

| | | | | | | | |
|---------|--|--|--|---------------------------------------|--|--|--|
| 30/1408 | | | | 8K0837461 8K0837461C | | | |
| 30/1407 | | | | 8K0837462 8K0837462C | | | |
| 30/1434 | | | | 8K0839461 8K0839461A 8K0839461C | | | |
| 30/1433 | | | | 8K0839462 8K0839462A 8K0839462C | | | |

A4 B8 (8K5) AVANT 4 D 2007 -> 2017

| | | | | | | | |
|---------|--|--|--|---------------------------------------|--|--|--|
| 30/1408 | | | | 8K0837461 8K0837461C | | | |
| 30/1407 | | | | 8K0837462 8K0837462C | | | |
| 30/1434 | | | | 8K0839461 8K0839461A 8K0839461C | | | |
| 30/1433 | | | | 8K0839462 8K0839462A 8K0839462C | | | |

A4 B9 (8W2, 8WC) 4 D 2015 ->

| | | | | | | | |
|---------|--|--|--|-------------------------|--|--|--|
| 30/2716 | | | | 8W0837461 8W0837461A | | | |
| 30/2715 | | | | 8W0837462 8W0837462A | | | |
| 30/2714 | | | | 8W0839461 8W0839461A | | | |
| 30/2713 | | | | 8W0839462 8W0839462A | | | |

| Modello Model | Porte Doors | Configurazione Configurations | Foto Pictures | Connettore Connector | Cross OE | Alt. OE | Istruzioni Instructions |
|------------------|----------------|----------------------------------|------------------|-------------------------|----------|---------|----------------------------|
|------------------|----------------|----------------------------------|------------------|-------------------------|----------|---------|----------------------------|

A4 B9 (8W5, 8WD) AVANT 4 D 2015 ->

| | | | | | | | |
|---------|--|--|--|--|-------------------------|--|--|
| 30/2716 | | | | POWER WINDOW RIGHT ALZACRISTALLI ELETTRICO DX | 8W0837461 8W0837461A | | |
| 30/2715 | | | | POWER WINDOW RIGHT ALZACRISTALLI ELETTRICO DX | 8W0837462 8W0837462A | | |
| 30/2714 | | | | POWER WINDOW RIGHT ALZACRISTALLI ELETTRICO DX | 8W0839461 8W0839461A | | |
| 30/2713 | | | | POWER WINDOW RIGHT ALZACRISTALLI ELETTRICO DX | 8W0839462 8W0839462A | | |

A5 (8T3) 2 D 2007 -> 2017

| | | | | | | | |
|---------|--|--|--|--|-------------------------|--|--|
| 30/2265 | | | | POWER WINDOW RIGHT ALZACRISTALLI ELETTRICO DX | 8T0837461 8T0837461B | | |
| 30/2264 | | | | POWER WINDOW RIGHT ALZACRISTALLI ELETTRICO DX | 8T0837462 8T0837462B | | |

A5 (8TA) SPORTBACK 4 D 2007 -> 2017

| | | | | | | | |
|---------|--|--|--|--|---|--|--|
| 30/2121 | | | | POWER WINDOW RIGHT ALZACRISTALLI ELETTRICO DX | 8T8837461 8T8837461A 8T8837461B | | |
| 30/2120 | | | | POWER WINDOW RIGHT ALZACRISTALLI ELETTRICO DX | 8T8837462 8T8837462A 8T8837462B | | |
| 30/2277 | | | | POWER WINDOW LEFT ALZACRISTALLI ELETTRICO SX | 8T8839461 8T8839461A 8T8839461B 8T8839461C | | |
| 30/2276 | | | | POWER WINDOW LEFT ALZACRISTALLI ELETTRICO SX | 8T8839462 8T8839462A 8T8839462B 8T8839462C | | |

A5 (F53, F5P) 2 D 2016 ->

| | | | | | | | |
|---------|--|--|--|--|--|--|--|
| 30/2682 | | | | POWER WINDOW RIGHT ALZACRISTALLI ELETTRICO DX | 8W6837461C 8W6837461D 8W6837462A 8W6837462 | | |
| 30/2681 | | | | POWER WINDOW RIGHT ALZACRISTALLI ELETTRICO DX | 8W6837462A 8W6837462B 8W6837462C 8W6837462D | | |

| Modello Model | Porte Doors | Configurazione Configurations | Foto Pictures | Connettore Connector | Cross OE | Alt. OE | Istruzioni Instructions |
|------------------|----------------|----------------------------------|------------------|-------------------------|----------|---------|----------------------------|
|------------------|----------------|----------------------------------|------------------|-------------------------|----------|---------|----------------------------|

A5 (F57, F5E) CABRIOLET 2 D 2016 ->

| | | | | | | | |
|---------|--|--|--|--|--|--|--|
| 30/2684 | | | | | 8W7837461A 8W7837461B 8W7837461C 8W7837461D | | |
| 30/2683 | | | | | 8W7837462A 8W7837462B 8W7837462C 8W7837462D | | |

A5 (F5A, F5F) SPORTBACK 4 D 2016 ->

| | | | | | | | |
|---------|--|--|--|--|-----------|--|--|
| 30/2678 | | | | | 8W8837461 | | |
| 30/2677 | | | | | 8W8837462 | | |
| 30/2680 | | | | | 8W8839461 | | |
| 30/2679 | | | | | 8W8839462 | | |

A6 C4 (4A2) 4 D 1994 -> 1998

| | | | | | | | |
|---------|--|--|--|--|--|---------------------------|--|
| 30/7011 | | | | | | 4A0837461A* 4A0959801* | |
| 30/7012 | | | | | | 4A0837462A* 4A0959802* | |

A6 C4 (4A5) AVANT 4 P 1994 -> 1998

| | | | | | | | |
|---------|--|--|--|--|--|---------------------------|--|
| 30/7011 | | | | | | 4A0837461A* 4A0959801* | |
| 30/7012 | | | | | | 4A0837462A* 4A0959802* | |

A6 C5 (4B2, C5) 4 D 1997 -> 2005

| | | | | | | | |
|---------|--|--|--|--|---------------------------------------|--|--|
| 30/1038 | | | | | 4B0837461 4B0837461A 4B0837461C | | |
| 30/1037 | | | | | 4B0837462 4B0837462A 4B0837462C | | |

| Modello Model | Porte Doors | Configurazione Configurations | Foto Pictures | Connettore Connector | Cross OE | Alt. OE | Istruzioni Instructions |
|------------------|----------------|----------------------------------|------------------|-------------------------|----------|---------|----------------------------|
|------------------|----------------|----------------------------------|------------------|-------------------------|----------|---------|----------------------------|

A6 C5 (4B2, C5) 4 D 1997 -> 2005

| | | | | | | | |
|---------|--|--|--|-----------|--|--|--|
| 30/1438 | | | | 4B0839461 | | | |
| 30/1437 | | | | 4B0839462 | | | |

A6 C5 (4B5) AVANT 4 D 1997 -> 2005

| | | | | | | | |
|---------|--|--|--|---------------------------------------|--|--|--|
| 30/1038 | | | | 4B0837461 4B0837461A 4B0837461C | | | |
| 30/1037 | | | | 4B0837462 4B0837462A 4B0837462C | | | |

| | | | | | | | |
|---------|--|--|--|-----------|--|--|--|
| 30/1438 | | | | 4B0839461 | | | |
| 30/1437 | | | | 4B0839462 | | | |

A6 C6 (4F2) 4 D 2004 -> 2011

| | | | | | | | |
|---------|--|--|--|--------------------------|--|--|--|
| 30/1561 | | | | 4F0837461C 4F0837461D | | | |
| 30/1560 | | | | 4F0837462C 4F0837462D | | | |

| | | | | | | | |
|---------|--|--|--|--------------------------|--|--|--|
| 30/1563 | | | | 4F0839461A 4F0839461B | | | |
| 30/1562 | | | | 4F0839462A 4F0839462B | | | |

A6 C6 (4F5) AVANT 4 D 2004 -> 2011

| | | | | | | | |
|---------|--|--|--|--------------------------|--|--|--|
| 30/1561 | | | | 4F0837461C 4F0837461D | | | |
| 30/1560 | | | | 4F0837462C 4F0837462D | | | |

| Modello Model | Porte Doors | Configurazione Configurations | Foto Pictures | Connettore Connector | Cross OE | Alt. OE | Istruzioni Instructions |
|------------------|----------------|----------------------------------|------------------|-------------------------|----------|---------|----------------------------|
|------------------|----------------|----------------------------------|------------------|-------------------------|----------|---------|----------------------------|

A6 C6 (4F5) AVANT 4 D 2004 -> 2011

| | | | | | | | |
|---------|--|--|--|--|--------------------------|--|--|
| 30/1563 | | | | | 4F0839461A 4F0839461B | | |
| 30/1562 | | | | | 4F0839462A 4F0839462B | | |

A6 C7 (4G2, 4GC) 4 D 2010 -> 2019

| | | | | | | | |
|---------|--|--|--|--|-----------|--|--|
| 30/2982 | | | | | 4G0837461 | | |
| 30/2983 | | | | | 4G0837462 | | |
| 30/2984 | | | | | 4G0839461 | | |
| 30/2985 | | | | | 4G0839462 | | |

A6 C7 (4G5, 4GD) AVANT 4 D 2011 -> 2019

| | | | | | | | |
|---------|--|--|--|--|-----------|--|--|
| 30/2982 | | | | | 4G0837461 | | |
| 30/2983 | | | | | 4G0837462 | | |
| 30/2984 | | | | | 4G0839461 | | |
| 30/2985 | | | | | 4G0839462 | | |

Q2 (GAB) 4 D 2016 ->

| | | | | | | | |
|---------|--|--|--|--|-----------|--|--|
| 30/2656 | | | | | 81A837461 | | |
| 30/2655 | | | | | 81A837462 | | |

| Modello Model | Porte Doors | Configurazione Configurations | Foto Pictures | Connettore Connector | Cross OE | Alt. OE | Istruzioni Instructions |
|------------------|----------------|----------------------------------|------------------|-------------------------|----------|---------|----------------------------|
|------------------|----------------|----------------------------------|------------------|-------------------------|----------|---------|----------------------------|

Q2 (GAB) 4 D 2016 ->

| | | | | | | | |
|---------|--|--|--|--|-----------|--|--|
| 30/2658 | | | | | 81A839461 | | |
| 30/2657 | | | | | 81A839462 | | |

Q3 (8UB,8UG) 4 D 2011 -> 2020

| | | | | | | | |
|---------|--|--|--|--|-----------|--|--|
| 30/1837 | | | | | 8U0837461 | | |
| 30/1836 | | | | | 8U0837462 | | |
| 30/1839 | | | | | 8U0839461 | | |
| 30/1838 | | | | | 8U0839462 | | |

Q5 (8RB) 4 D 2008 -> 2019

| | | | | | | | |
|---------|--|--|--|--|--|--|--|
| 30/1611 | | | | | 8R0837461B 8R0837461D 8R0837461F 8R0837461G | | |
| 30/1610 | | | | | 8R0837462B 8R0837462F 8R0837462G 8R0837462H | | |
| 30/1641 | | | | | 8R0839461B 8R0839461D 8R0839461E | | |
| 30/1640 | | | | | 8R0839462B 8R0839462D 8R0839462E | | |

Q5 (FYB, FYG) 4 D 2016 ->

| | | | | | | | |
|---------|--|--|--|--|------------|--|--|
| 30/3004 | | | | | 80A837461A | | |
| 30/3003 | | | | | 80A837462A | | |

| Modello Model | Porte Doors | Configurazione Configurations | Foto Pictures | Connettore Connector | Cross OE | Alt. OE | Istruzioni Instructions |
|------------------|----------------|----------------------------------|------------------|-------------------------|----------|---------|----------------------------|
|------------------|----------------|----------------------------------|------------------|-------------------------|----------|---------|----------------------------|

Q5 (FYB, FYG) 4 D 2016 ->

| | | | | | | | |
|---------|--|--|--|--|-------------------------|--|--|
| 30/3006 | | | | | 80A839462 80A839462A | | |
| 30/3005 | | | | | 80A839461 80A839461A | | |

Q5 SPORTBACK (FYT) 4 D 2020 ->

| | | | | | | | |
|---------|--|--|--|--|-------------------------|--|--|
| 30/3004 | | | | | 80A837461A | | |
| 30/3003 | | | | | 80A837462A | | |
| 30/3006 | | | | | 80A839462 80A839462A | | |
| 30/3005 | | | | | 80A839461 80A839461A | | |

Q7 (4LB) 4 D 2006 -> 2016

| | | | | | | | |
|---------|--|--|--|--|--------------------------|--|--|
| 30/1849 | | | | | 4L0837461A 4L0837461E | | |
| 30/1848 | | | | | 4L0837462A 4L0837462E | | |
| 30/1851 | | | | | 4L0839461A 4L0839461D | | |
| 30/1850 | | | | | 4L0839462A 4L0839462D | | |

R8 COUPE' (4S3, 4SP) 2 D 2015 ->

| | | | | | | | |
|---------|--|--|--|--|------------|--|--|
| 30/2688 | | | | | 4S8837462B | | |
| 30/2687 | | | | | 4S8837461B | | |

| Modello Model | Porte Doors | Configurazione Configurations | Foto Pictures | Connettore Connector | Cross OE | Alt. OE | Istruzioni Instructions |
|------------------|----------------|----------------------------------|------------------|-------------------------|----------|---------|----------------------------|
|------------------|----------------|----------------------------------|------------------|-------------------------|----------|---------|----------------------------|

R8 SPYDER (4S9, 4SR) 2 D 2016 ->

| | | | | | | | |
|---------|--|--|--|--|------------|--|--|
| 30/2676 | | | | | 457837461B | | |
| 30/2675 | | | | | 457837462B | | |

TT I (8N3) 2 D 1998 -> 2007

| | | | | | | | |
|---------|--|--|--|--|------------------------|--|--|
| 30/1295 | | | | | 8N0837461 8N8837461 | | |
| 30/1294 | | | | | 8N0837462 8N8837462 | | |

TT I (8N9) ROADSTER 2 D 1999 -> 2007

| | | | | | | | |
|---------|--|--|--|--|------------------------|--|--|
| 30/1295 | | | | | 8N0837461 8N8837461 | | |
| 30/1294 | | | | | 8N0837462 8N8837462 | | |

TT II (8J3) 2 D 2006 -> 2015

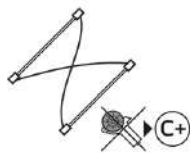



| | | | | | | | |
|---------|--|--|--|--|--|--|--|
| 30/1565 | | | | | 8J0837461A 8J0837461B 8J0837461C 8J0837461D | | |
| 30/1564 | | | | | 8J0837462A 8J0837462B 8J0837462C 8J0837462D | | |

TT II (8J9) ROADSTER 2 D 2007 -> 2014


| | | | | | | | |
|---------|--|--|--|--|--|--|--|
| 30/1565 | | | | | 8J0837461A 8J0837461B 8J0837461C 8J0837461D | | |
| 30/1564 | | | | | 8J0837462A 8J0837462B 8J0837462C 8J0837462D | | |

| Modello Model | Porte Doors | Configurazione Configurations | Foto Pictures | Connettore Connector | Cross OE | Alt. OE | Istruzioni Instructions |
|------------------|----------------|----------------------------------|------------------|-------------------------|----------|---------|----------------------------|
|------------------|----------------|----------------------------------|------------------|-------------------------|----------|---------|----------------------------|


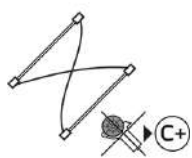





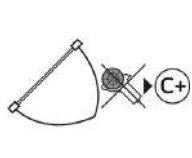




1 (E81) 2 D 2006 -> 2012

| | | | | | | | |
|---------|---|---|--|--|-------------|--|---|
| 30/1444 |  |  |  POWER WINDOW LEFT ALZACRISTALLI ELETTRICO SX | | 51337165595 | |  |
| 30/1443 |  |  | | | 51337165596 | | |



1 (E82) COUPE' 2 D 2006 -> 2013

| | | | | | | | |
|---------|---|---|--|--|-------------|--|---|
| 30/1444 |  |  |  POWER WINDOW LEFT ALZACRISTALLI ELETTRICO SX | | 51337165595 | |  |
| 30/1443 |  |  | | | 51337165596 | | |

1 (E87) 4 D 2003 -> 2013

| | | | | | | | |
|---------|---|---|--|--|-------------|--|---|
| 30/1442 |  |  |  | | 51337138465 | |  |
| 30/1441 |  |  | | | 51337138466 | | |
| 30/968 |  |  |  POWER WINDOW LEFT ALZACRISTALLI ELETTRICO SX | | 51357138467 | |  |
| 30/967 |  |  | | | 51357138468 | | |

1 (E88) CABRIOLET 2 D 2007 -> 2013

| | | | | | | | |
|---------|---|---|--|--|-------------|--|---|
| 30/1444 |  |  |  POWER WINDOW LEFT ALZACRISTALLI ELETTRICO SX | | 51337165595 | |  |
| 30/1443 |  |  | | | 51337165596 | | |

1 (F20) 4 D 2011 -> 2019

| | | | | | | | |
|---------|---|---|---|--|-------------|--|---|
| 30/3122 |  |  |  POWER WINDOW LEFT ALZACRISTALLI LETTRICO SX | | 51337281881 | |  |
| 30/3123 |  |  | | | 51337281882 | | |

| Modello Model | Porte Doors | Configurazione Configurations | Foto Pictures | Connettore Connector | Cross OE | Alt. OE | Istruzioni Instructions |
|------------------|----------------|----------------------------------|------------------|-------------------------|----------|---------|----------------------------|
|------------------|----------------|----------------------------------|------------------|-------------------------|----------|---------|----------------------------|

1 (F20) 4 D 2011 -> 2019

| | | | | | | | |
|---------|---|---|---|--|-------------|--|---|
| 30/2447 |  |  |  | | 51357281883 | |  |
| 30/2446 |  | | | | 51357281884 | | |


1 (F21) 2 D 2011 -> 2019

| | | | | | | | |
|---------|---|---|---|--|-------------|--|---|
| 30/2187 |  |  |  | | 51337292119 | |  |
| 30/2186 |  | | | | 51337292120 | | |












2 (F22, F87) COUPE' 2 D 2012 -> 2021

| | | | | | | | |
|---------|---|--|--|--|-------------|--|--|
| 30/2187 |  |  |  | | 51337292119 | |  |
| 30/2186 |  | | | | 51337292120 | | |

2 (F23) CABRIOLET 2 D 2014 -> 2021














| | | | | | | | |
|---------|---|---|---|--|-------------|--|---|
| 30/2187 |  |  |  | | 51337292119 | |  |
| 30/2186 |  | | | | 51337292120 | | |

2 (F45) ACTIVE TOURER 4 D 2013 -> 2021

| | | | | | | | |
|---------|---|---|---|--|---|--|---|
| 30/2061 |  |  |  |  | 67627410753 | |  |
| 30/2060 |  | | | | 67627410754 | | |
| 30/2047 |  |  |  | | 51332579945 51337296381 51337490191 | |  |
| 30/2046 |  | | | | 51332579946 51337296382 51337490192 | | |

| Modello Model | Porte Doors | Configurazione Configurations | Foto Pictures | Connettore Connector | Cross OE | Alt. OE | Istruzioni Instructions |
|------------------|----------------|----------------------------------|------------------|-------------------------|----------|---------|----------------------------|
|------------------|----------------|----------------------------------|------------------|-------------------------|----------|---------|----------------------------|

2 (F45) ACTIVE TOURER 4 D 2013 -> 2021

| | | | | | | | |
|---------|---|---|---|--|----------------------------|--|---|
| 30/2063 |  |   |  |  | 67627354889 67627354890 | |  |
| 30/2062 |  | | | | 67627354889 67627354890 | | |
| 30/2049 |  |   |  | | 51337296387 51337490193 | |  |
| 30/2048 |  | | | | 51337296388 51337490194 | | |

2 (F46) GRAN TOURER 4 D 2014 ->

| | | | | | | | |
|---------|---|---|---|--|----------------------------|--|---|
| 30/2061 |  |   |  |  | 67627410753 | |  |
| 30/2060 |  | | | | 67627410754 | | |
| 30/2055 |  |   |  | | 51337434781 51337490195 | |  |
| 30/2054 |  | | | | 51337434782 51337490196 | | |
| 30/2063 |  |   |  |  | 67627354889 67627354890 | |  |
| 30/2062 |  | | | | 67627354889 67627354890 | | |
| 30/2057 |  |   |  | | 51337490197 51357434783 | |  |
| 30/2056 |  | | | | 51337490198 51357434784 | | |

3 (E36) 4 D 1990 -> 1998

| | | | | | | | |
|---------|---|---|---|--|------------------------------|--|---|
| 30/7019 |  |   |  |  | 51331977609* 67628360977* | |  |
| 30/7020 |  | |  <small>POWER WINDOW LEFT ALZACRISTALLE/LETTERIS/55</small> | | 51331977610* 67628360978* | | |

| Modello Model | Porte Doors | Configurazione Configurations | Foto Pictures | Connettore Connector | Cross OE | Alt. OE | Istruzioni Instructions |
|------------------|----------------|----------------------------------|------------------|-------------------------|----------|---------|----------------------------|
|------------------|----------------|----------------------------------|------------------|-------------------------|----------|---------|----------------------------|


3 (E36) 4 D 1990 -> 1998

| | | | | | | | |
|---------|---|---|---|--|-------------|--|---|
| 30/1245 |  |  |  | | 51331977609 | |  |
| 30/1244 |  | | | | 51331977610 | | |

3 (E36) CABRIOLET 2 D 1993 -> 1999

| | | | | | | | |
|---------|---|---|---|--|-------------|--|---|
| 30/1243 |  |  |  | | 51331977579 | |  |
| 30/1242 |  | | | | 51331977580 | | |

3 (E36) COMPACT 2 D 1994 -> 2000

| | | | | | | | |
|---------|---|--|--|---|--------------|--|--|
| 30/7019 |  |  |  |  | 51331977609* | |  |
| 30/7020 |  | | | | 51331977610* | | |

| | | | | | | | |
|---------|---|---|---|--|-------------|--|---|
| 30/1245 |  |  |  | | 51331977609 | |  |
| 30/1244 |  | | | | 51331977610 | | |

3 (E36) COUPE' 2 D 1991 -> 1999

| | | | | | | | |
|---------|---|---|---|--|-------------|--|---|
| 30/1243 |  |  |  | | 51331977579 | |  |
| 30/1242 |  | | | | 51331977580 | | |

3 (E36) TOURING 4 D 1994 -> 1999

| | | | | | | | |
|---------|---|---|---|--|--------------|--|---|
| 30/7019 |  |  |  |  | 51331977609* | |  |
| 30/7020 |  | | | | 51331977610* | | |


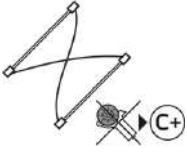
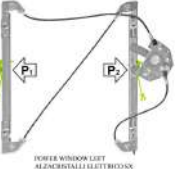




| Modello Model | Porte Doors | Configurazione Configurations | Foto Pictures | Connettore Connector | Cross OE | Alt. OE | Istruzioni Instructions |
|------------------|----------------|----------------------------------|------------------|-------------------------|----------|---------|----------------------------|
|------------------|----------------|----------------------------------|------------------|-------------------------|----------|---------|----------------------------|


3 (E36) TOURING 4 D 1994 -> 1999

| | | | | | | | |
|---------|---|---|---|--|-------------|--|---|
| 30/1245 |  |  |  | | 51331977609 | |  |
| 30/1244 |  |  |  | | 51331977610 | | |

3 (E46) 4 D 1997 -> 2005


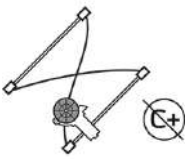
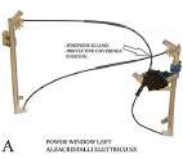





| | | | | | | | |
|---------|---|---|---|--|--|--|---|
| 30/1313 |  |  |  |  | | 51330018129* 51337020659* 51338212097* 67628362063* |  |
| 30/1312 |  |  |  | | | 51330018130* 51337020660* 51338196038* 51338212098* | |

| | | | | | | | |
|---------|--|--|--|--|--|--|--|
| 30/1072 |  |  |  | | 51330018129 51337020659 51338212097 5133001813 | |  |
| 30/1071 |  |  |  | | 51330018130 51337020660 51338196038 51338212098 | | |

| | | | | | | | |
|---------|---|---|---|--|--|--|---|
| 30/1315 |  |  |  |  | | 51348212099* 51358200717* 51358212099* 67628362066* |  |
| 30/1314 |  |  |  | | | 51358200718* 51358212100* 67628362065* 67628377789* | |

| | | | | | | | |
|---------|---|---|---|--|----------------------------|--|---|
| 30/1074 |  |  |  | | 51348212099 51358200717 | |  |
| 30/1073 |  |  |  | | 51358212100 51358200718 | | |

3 (E46) CABRIOLET 2 D 2000 -> 2007


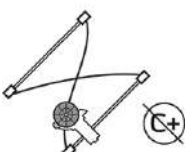






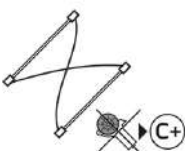
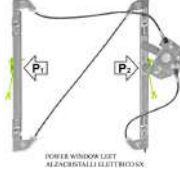




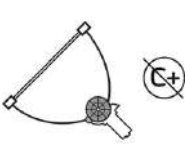






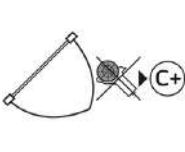




| | | | | | | | |
|---------|---|---|---|--|--|--|---|
| 30/7021 |  |  |  |  | | 51338229105* 67628362063* 67628381021* |  |
| 30/7022 |  |  |  | | | 51338229106* 67628362064* 67628381022* | |

| Modello Model | Porte Doors | Configurazione Configurations | Foto Pictures | Connettore Connector | Cross OE | Alt. OE | Istruzioni Instructions |
|------------------|----------------|----------------------------------|------------------|-------------------------|----------|---------|----------------------------|
|------------------|----------------|----------------------------------|------------------|-------------------------|----------|---------|----------------------------|


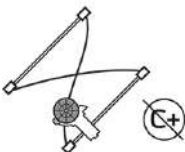
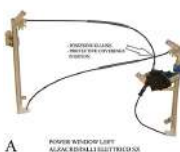




3 (E46) COMPACT 2 D 2001 -> 2005

| | | | | | | | |
|---------|---|---|--|--|----------------------------|--|---|
| 30/2197 |  |  |  <small>POWER WINDOW LIFT ALZACRISTALLI ELETTRICO SX</small> | | 51337079919 51338251351 | |  |
| 30/2196 |  |  | | | 51337079920 51338251352 | | |

3 (E46) TOURING 4 D 1997 -> 2005


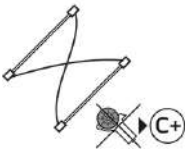



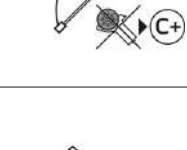

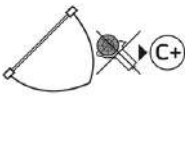



| | | | | | | | |
|---------|---|---|--|--|--|--|---|
| 30/1313 |  |  |  <small>POWER WINDOW LIFT ALZACRISTALLI ELETTRICO SX</small> |  | | 51330018129* 51337020659* 51338212097* 67628362063* |  |
| 30/1312 |  |  | | | | 51330018130* 51337020660* 51338196038* 51338212098* | |
| 30/1072 |  |  |  <small>POWER WINDOW LIFT ALZACRISTALLI ELETTRICO SX</small> | | 51330018129 51337020659 51338212097 5133001813 | |  |
| 30/1071 |  |  | | | 51330018130 51337020660 51338196038 51338212098 | | |
| 30/1315 |  |  |  <small>POWER WINDOW LIFT ALZACRISTALLI ELETTRICO SX</small> |  | | 51348212099* 51358200717* 51358212099* 67628362066* |  |
| 30/1314 |  |  | | | | 51358200718* 51358212100* 67628362065* 67628377789* | |
| 30/1074 |  |  |  <small>POWER WINDOW LIFT ALZACRISTALLI ELETTRICO SX</small> | | 51348212099 51358200717 | |  |
| 30/1073 |  |  | | | 51358212100 51358200718 | | |

3 (E46) COUPE' 2 D 1998 -> 2006


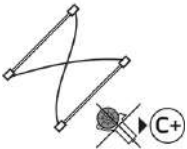



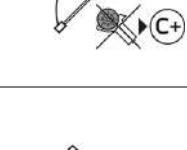

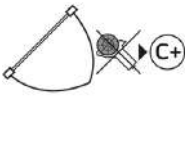



| | | | | | | | |
|---------|---|---|--|--|--|--|---|
| 30/7021 |  |  |  <small>POWER WINDOW LIFT ALZACRISTALLI ELETTRICO SX</small> |  | | 51338229105* 67628362063* 67628381021* |  |
| 30/7022 |  |  | | | | 51338229106* 67628362064* 67628381022* | |

| Modello Model | Porte Doors | Configurazione Configurations | Foto Pictures | Connettore Connector | Cross OE | Alt. OE | Istruzioni Instructions |
|------------------|----------------|----------------------------------|------------------|-------------------------|----------|---------|----------------------------|
|------------------|----------------|----------------------------------|------------------|-------------------------|----------|---------|----------------------------|


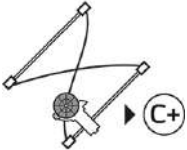




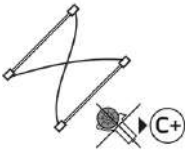


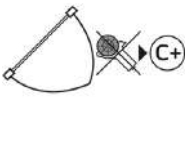

3 (E90) 4 D 2004 -> 2012

| | | | | | | | |
|---------|---|---|---|--|-------------|--|---|
| 30/1297 |  |  |  | | 51337140587 | |  |
| 30/1296 |  |  | | | 51337140588 | | |
| 30/972 |  |  |  | | 51357140589 | |  |
| 30/971 |  | | <p>POWER WINDOW LEFT ALZACRISTALLI ELETTRICO SX</p> | | 51357140590 | | |

3 (E91) TOURING 4 D 2004 -> 2012


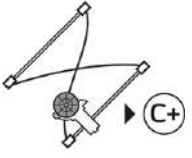





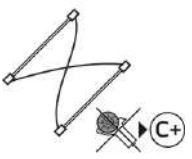




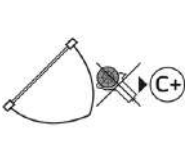



| | | | | | | | |
|---------|---|---|---|--|-------------|--|---|
| 30/1297 |  |  |  | | 51337140587 | |  |
| 30/1296 |  |  | | | 51337140588 | | |
| 30/972 |  |  |  | | 51357140589 | |  |
| 30/971 |  | | <p>POWER WINDOW LEFT ALZACRISTALLI ELETTRICO SX</p> | | 51357140590 | | |

3 (F30, F80) 4 D 2011 -> 2018

| | | | | | | | |
|---------|---|---|---|--|-------------|--|---|
| 30/1531 |  |  |  |  | | 51337281885* 67627285855* 67627406623* |  |
| 30/1530 |  |  | | | | 51337281886* 67627285856* 67627406624* | |
| 30/2035 |  |  |  | | 51337281885 | |  |
| 30/2034 |  |  | <p>POWER WINDOW LEFT ALZACRISTALLI ELETTRICO SX</p> | | 51337281886 | | |
| 30/2037 |  |  |  | | 51357281887 | |  |
| 30/2036 |  | | <p>POWER WINDOW LEFT ALZACRISTALLI ELETTRICO SX</p> | | 51357281888 | | |

| Modello Model | Porte Doors | Configurazione Configurations | Foto Pictures | Connettore Connector | Cross OE | Alt. OE | Istruzioni Instructions |
|------------------|----------------|----------------------------------|------------------|-------------------------|----------|---------|----------------------------|
|------------------|----------------|----------------------------------|------------------|-------------------------|----------|---------|----------------------------|

3 (F31) TOURING 4 D 2012 -> 2019

| | | | | | | | |
|---------|--|---|---|--|-------------|--|--|
| 30/1531 |  |  |  |  | | 51337281885* 67627285855* 67627406623* |  |
| 30/1530 |  | | | | | 51337281886* 67627285856* 67627406624* | |
| 30/2035 |  |  |  | | 51337281885 | |  |
| 30/2034 |  | | <small>POWER WINDOW LEFT ALZACRISTALLI ELETTRICO SX</small> | | 51337281886 | | |
| 30/2037 |  |  |  | | 51357281887 | |  |
| 30/2036 |  | | <small>POWER WINDOW LEFT ALZACRISTALLI ELETTRICO SX</small> | | 51357281888 | | |


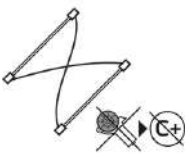



5 (E34) 4 D 1987 -> 1995

| | | | | | | | |
|---------|---|---|---|--|--|--|---|
| 30/7023 |  |  |  |  | | 51321944069* 51331384004* 67628359374* 51321944070 |  |
| 30/7024 |  | | <small>POWER WINDOW LEFT ALZACRISTALLI ELETTRICO SX</small> | | | 51321944070* 51331384003* 51331384004* 67628359373* | |

5 (E34) TOURING 4 D 1991 -> 1996

| | | | | | | | |
|---------|---|---|---|--|--|--|---|
| 30/7023 |  |  |  |  | | 51321944069* 51331384004* 67628359374* 51321944070 |  |
| 30/7024 |  | | <small>POWER WINDOW LEFT ALZACRISTALLI ELETTRICO SX</small> | | | 51321944070* 51331384003* 51331384004* 67628359373* | |

5 (E39) 4 D 1995 -> 2003

| | | | | | | | |
|---------|---|---|---|--|---|--|---|
| 30/1068 |  |  |  | | 51338159831 51338236859 51338252393 | |  |
| 30/1067 |  | | <small>POWER WINDOW LEFT ALZACRISTALLI ELETTRICO SX</small> | | 51338159832 51338236860 51338252394 | | |

| Modello Model | Porte Doors | Configurazione Configurations | Foto Pictures | Connettore Connector | Cross OE | Alt. OE | Istruzioni Instructions |
|------------------|----------------|----------------------------------|------------------|-------------------------|----------|---------|----------------------------|
|------------------|----------------|----------------------------------|------------------|-------------------------|----------|---------|----------------------------|

5 (E39) 4 D 1995 -> 2003


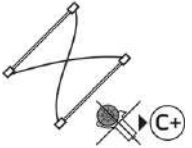












| | | | | | | | |
|---------|--|--|--|--|-------------|--------------|--|
| 30/1571 | | | | | 51358252429 | | |
| 30/1570 | | | | | 51358252430 | | |
| 30/1201 | | | | | | 51358252429* | |
| 30/1200 | | | | | | 51358252430* | |
| 30/1070 | | | | | | 51358159835* | |
| 30/1069 | | | | | | 51358159836* | |

5 (E39) TOURING 4 D 1996 -> 2004


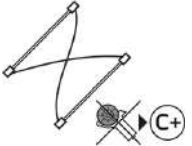












| | | | | | | | |
|---------|--|--|--|--|---|--------------|--|
| 30/1068 | | | | | 51338159831 51338236859 51338252393 | | |
| 30/1067 | | | | | 51338159832 51338236860 51338252394 | | |
| 30/1571 | | | | | 51358252429 | | |
| 30/1570 | | | | | 51358252430 | | |
| 30/1201 | | | | | | 51358252429* | |
| 30/1200 | | | | | | 51358252430* | |
| 30/1070 | | | | | | 51358159835* | |
| 30/1069 | | | | | | 51358159836* | |

| Modello Model | Porte Doors | Configurazione Configurations | Foto Pictures | Connettore Connector | Cross OE | Alt. OE | Istruzioni Instructions |
|------------------|----------------|----------------------------------|------------------|-------------------------|----------|---------|----------------------------|
|------------------|----------------|----------------------------------|------------------|-------------------------|----------|---------|----------------------------|


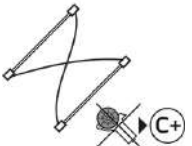












5 (E60) 4 D 2001 -> 2010

| | | | | | | | |
|---------|---|---|---|--|----------------------------|--|---|
| 30/1247 |  |  |  | | 51337075667 51337184383 | |  |
| 30/1246 |  |  |  | | 51337075668 51337184384 | | |
| 30/1955 |  |  |  | | 51357075673 51357184745 | |  |
| 30/1954 |  |  |  | | 51357075674 51357184746 | | |

5 (E61) TOURING 4 D 2004 -> 2010


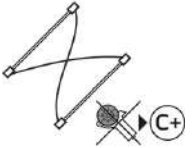




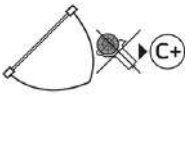



| | | | | | | | |
|---------|---|---|---|--|----------------------------|--|---|
| 30/1247 |  |  |  | | 51337075667 51337184383 | |  |
| 30/1246 |  |  |  | | 51337075668 51337184384 | | |
| 30/1955 |  |  |  | | 51357075673 51357184745 | |  |
| 30/1954 |  |  |  | | 51357075674 51357184746 | | |

5 (F10) 4 D 2009 -> 2016

| | | | | | | | |
|---------|---|---|--|--|-------------|--|---|
| 30/3000 |  |  |  | | 51337182131 | |  |
| 30/2999 |  |  |  POWER WINDOW LEFT ALZACRISTALLI ELETTRICO SX | | 51337182132 | | |
| 30/3002 |  |  |  | | 51357182613 | |  |
| 30/3001 |  |  |  POWER WINDOW LEFT ALZACRISTALLI ELETTRICO SX | | 51357182614 | | |

| Modello Model | Porte Doors | Configurazione Configurations | Foto Pictures | Connettore Connector | Cross OE | Alt. OE | Istruzioni Instructions |
|------------------|----------------|----------------------------------|------------------|-------------------------|----------|---------|----------------------------|
|------------------|----------------|----------------------------------|------------------|-------------------------|----------|---------|----------------------------|

5 (F11) TOURING 4 D 2009 -> 2017

| | | | | | | | |
|---------|---|---|--|--|-------------|--|---|
| 30/3000 |  |  |  <small>POWER WINDOW LEFT ALZACRISTALLI ELETTRICO SX</small> | | 51337182131 | |  |
| 30/2999 |  | | | | 51337182132 | | |
| 30/3002 |  |  |  <small>POWER WINDOW LEFT ALZACRISTALLI ELETTRICO SX</small> | | 51357182613 | |  |
| 30/3001 |  | | | | 51357182614 | | |


5 (G30, F90) 4 D 2016 ->

| | | | | | | | |
|---------|--|--|---|--|--|--------------|--|
| 30/3112 |  |  |  <small>POWER WINDOW LEFT ALZACRISTALLI ELETTRICO SX</small> | | | 51337487087* |  |
| 30/3113 |  | | | | | 51337487088* | |



5 TOURING (G31) 4 D 2017 ->

| | | | | | | | |
|---------|---|---|--|--|--|--------------|---|
| 30/3112 |  |  |  <small>POWER WINDOW LEFT ALZACRISTALLI ELETTRICO SX</small> | | | 51337487087* |  |
| 30/3113 |  | | | | | 51337487088* | |

7 (E65, E66, E67) 4 D 2001 -> 2009

| | | | | | | | |
|---------|---|---|---|--|---|--|---|
| 30/1299 |  |  |  | | 51357024813 51357138863 51357202481 | |  |
| 30/1298 |  | | | | 51357024814 51357138864 51357202482 | | |

X1 (E84) 4 D 2009 -> 2015

| | | | | | | | |
|---------|---|---|--|--|-------------|--|---|
| 30/2279 |  |  |  <small>POWER WINDOW LEFT ALZACRISTALLI ELETTRICO SX</small> | | 51332990385 | |  |
| 30/2278 |  | | | | 51332990386 | | |

| Modello Model | Porte Doors | Configurazione Configurations | Foto Pictures | Connettore Connector | Cross OE | Alt. OE | Istruzioni Instructions |
|------------------|----------------|----------------------------------|------------------|-------------------------|----------|---------|----------------------------|
|------------------|----------------|----------------------------------|------------------|-------------------------|----------|---------|----------------------------|


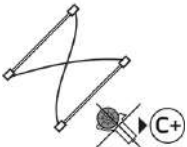








X1 (E84) 4 D 2009 -> 2015

| | | | | | | | |
|---------|---|---|--|--|-------------|--|---|
| 30/2445 |  |  |  POWER WINDOW LEFT ALZACRISTALLI ELETTRICO SX | | 51352990387 | |  |
| 30/2444 |  | | | | 51352990388 | | |

X1 (F48) 4 D 2014 -> 2022

| | | | | | | | |
|---------|---|---|---|--|---|--|---|
| 30/2059 |  |  |  |  | 67627354889 67627354890 67627405701 | |  |
| 30/2058 |  | | | | 67627354889 67627354890 67627405702 | | |
| 30/2051 |  |  |  POWER WINDOW LEFT ALZACRISTALLI ELETTRICO SX | | 51337434785 | |  |
| 30/2050 |  | | | | 51337434786 | | |
| 30/2063 |  |  |  |  | 67627354889 67627354890 | |  |
| 30/2062 |  | | | | 67627354889 67627354890 | | |
| 30/2053 |  |  |  | | 51357434787 51357490199 | |  |
| 30/2052 |  | | | | 51357434788 51357490200 | | |

X3 (E83) 4 D 2003 -> 2011

| | | | | | | | |
|---------|---|---|--|--|---|--|---|
| 30/1173 |  |  |  POWER WINDOW LEFT ALZACRISTALLI ELETTRICO SX | | 51333330997 51333402211 51333448249 | |  |
| 30/1172 |  | | | | 51333330998 51333402212 51333448250 | | |
| 30/1175 |  |  |  | | 51353413189 51353448251 | |  |
| 30/1174 |  | | | | 51353413190 51353448252 | | |

| Modello Model | Porte Doors | Configurazione Configurations | Foto Pictures | Connettore Connector | Cross OE | Alt. OE | Istruzioni Instructions |
|------------------|----------------|----------------------------------|------------------|-------------------------|----------|---------|----------------------------|
|------------------|----------------|----------------------------------|------------------|-------------------------|----------|---------|----------------------------|

X3 (F25) 4 D 2010 -> 2017

| | | | | | | | |
|---------|--|--|--|--|-------------|--|--|
| 30/2029 | | | | | 51337355635 | | |
| 30/2028 | | | | | 51337355636 | | |
| 30/2031 | | | | | 51357355639 | | |
| 30/2030 | | | | | 51357355640 | | |

X3 (G01, F97, G08) 4 D 2017 ->

| | | | | | | | |
|---------|--|--|--|--|--|--------------|--|
| 30/3150 | | | | | | 51337498147* | |
| 30/3149 | | | | | | 51337498148* | |
| 30/3164 | | | | | | 51357498149* | |
| 30/3163 | | | | | | 51357498150* | |

X5 (E53) 4 D 2000 -> 2006

| | | | | | | | |
|---------|--|--|--|--|-------------|--|--|
| 30/1573 | | | | | | 51338254911* 67628381019* | |
| 30/1572 | | | | | | 51338254912* 67628381020* | |
| 30/1177 | | | | | 51338254911 | | |
| 30/1176 | | | | | 51338254912 | | |
| 30/7025 | | | | | | 51357125059* 51358254913* 67628362063* 67628381021* | |
| 30/7026 | | | | | | 51357125060* 51358254914* 67628362064* 67628381022* | |

| Modello Model | Porte Doors | Configurazione Configurations | Foto Pictures | Connettore Connector | Cross OE | Alt. OE | Istruzioni Instructions |
|------------------|----------------|----------------------------------|------------------|-------------------------|----------|---------|----------------------------|
|------------------|----------------|----------------------------------|------------------|-------------------------|----------|---------|----------------------------|

X5 (E53) 4 D 2000 -> 2006

| | | | | | | | |
|---------|--|--|--|--|----------------------------|--|--|
| 30/1179 | | | | | 51357125059 51358254913 | | |
| 30/1178 | | | | | 51357125060 51358254914 | | |

X5 (E70) 4 D 2006 -> 2013

| | | | | | | | |
|---------|--|--|--|--|-------------|--|--|
| 30/1853 | | | | | 51337166379 | | |
| 30/1852 | | | | | 51337166380 | | |
| 30/1855 | | | | | 51357166381 | | |
| 30/1854 | | | | | 51357166382 | | |

X5 (F15, F85) 4 D 2013 -> 2018


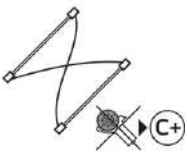





| | | | | | | | |
|---------|--|--|--|--|-------------|--|--|
| 30/3168 | | | | | 51337286483 | | |
| 30/3167 | | | | | 51337286484 | | |
| 30/3170 | | | | | 51357291951 | | |
| 30/3169 | | | | | 51357291952 | | |

X6 (E71, E72) 4 D 2007 -> 2015


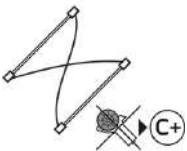





| | | | | | | | |
|---------|--|--|--|--|-------------|--|--|
| 30/2033 | | | | | 51337197301 | | |
| 30/2032 | | | | | 51337197302 | | |

| Modello Model | Porte Doors | Configurazione Configurations | Foto Pictures | Connettore Connector | Cross OE | Alt. OE | Istruzioni Instructions |
|------------------|----------------|----------------------------------|------------------|-------------------------|----------|---------|----------------------------|
|------------------|----------------|----------------------------------|------------------|-------------------------|----------|---------|----------------------------|


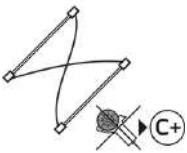





Z4 (E85) ROADSTER 2 D 2002 -> 2009

| | | | | | | | |
|---------|---|---|---|--|---|--|---|
| 30/2219 |  |  |  | | 51217142237 51337013753 51337198909 | |  |
| 30/2218 |  |  |  | | 51217142238 51337013754 51337198910 | | |

Z4 (E86) COUPE 2 D 2006 -> 2009

| | | | | | | | |
|---------|---|---|---|--|---|--|---|
| 30/2219 |  |  |  | | 51217142237 51337013753 51337198909 | |  |
| 30/2218 |  |  |  | | 51217142238 51337013754 51337198910 | | |

Z4 (E89) ROADSTER 2 D 2009 -> 2016

| | | | | | | | |
|---------|---|---|---|--|-------------|--|--|
| 30/2946 |  |  |  | | 51337198303 | |  |
| 30/2945 |  |  |  | | 51337198304 | | |

| Modello Model | Porte Doors | Configurazione Configurations | Foto Pictures | Connettore Connector | Cross OE | Alt. OE | Istruzioni Instructions |
|------------------|----------------|----------------------------------|------------------|-------------------------|----------|---------|----------------------------|
|------------------|----------------|----------------------------------|------------------|-------------------------|----------|---------|----------------------------|

AVEO/KALOS (T250, T255) 4 D 2006 ->

| | | | | | | | |
|---------|--|--|--|--|--|--|--|
| 30/7027 | | | | | | 95015329* 95987099* 96541783* 96652141* | |
| 30/7028 | | | | | | 95015330* 95987100* 96541784* 96652142* | |
| 30/2109 | | | | | | 95987109* 96585711* 96585734* 96942997* | |
| 30/2108 | | | | | | 95987110* 96585712* 96585735* 96942998* | |

CAPTIVA (C100, C140) 4 D 2006 ->

| | | | | | | | |
|---------|--|--|--|--|--|--|--|
| 30/2111 | | | | | | 23196464* 25926017* 96624015* 96624332* | |
| 30/2110 | | | | | | 25937972* 96541799* 96624016* 96624333* | |
| 30/2113 | | | | | | 25937971* 96624049* 96624334* 96627081* | |
| 30/2112 | | | | | | 25937970* 95391353* 96624050* 96624335* | |

CIELO 4 D 1986 -> 1997

| | | | | | | | |
|---------|--|--|--|--|--|--|--|
| 30/7029 | | | | | 140103 90186593 90186599 90186661 | | |
| 30/7030 | | | | | 140104 140152 90186594 90186600 | | |

CRUZE (J300) 4 D 2009 ->

| | | | | | | | |
|---------|--|--|--|--|----------|--|--|
| 30/1859 | | | | | 96996226 | | |
| 30/1858 | | | | | 95954796 | | |

| Modello Model | Porte Doors | Configurazione Configurations | Foto Pictures | Connettore Connector | Cross OE | Alt. OE | Istruzioni Instructions |
|------------------|----------------|----------------------------------|------------------|-------------------------|----------|---------|----------------------------|
|------------------|----------------|----------------------------------|------------------|-------------------------|----------|---------|----------------------------|

CRUZE (J300) 4 D 2009 ->

| | | | | | | | |
|---------|--|--|--|--|--|--|--|
| 30/7031 | | | | | | 95982684* 96964421* 96984862* 95982685 | |
| 30/7032 | | | | | | 95982685* 95999488* 96964422* 96984863* | |

KALOS (KLAS) 4 D 2002 ->

| | | | | | | | |
|---------|--|--|--|--|--|--|--|
| 30/7027 | | | | | | 95015329* 95987099* 96541783* 96652141* | |
| 30/7028 | | | | | | 95015330* 95987100* 96541784* 96652142* | |

LANOS (KLAT) 2 D 1997 ->

| | | | | | | | |
|---------|--|--|--|--|--|------------------------|--|
| 30/7033 | | | | | | 96190207* 96233470* | |
| 30/7034 | | | | | | 96190208* 96233471* | |

LANOS (KLAT) 4 D 1997 ->

| | | | | | | | |
|---------|--|--|--|--|--|------------------------|--|
| 30/1601 | | | | | | 96190207* 96225383* | |
| 30/1600 | | | | | | 96190208* 96225384* | |

MATIZ (M100, M150) 4 D 1998 ->

| | | | | | | | |
|---------|--|--|--|--|----------------------------------|--|--|
| 30/1462 | | | | | | 96314611* 96318069* 96318490* 96323234* | |
| 30/1461 | | | | | | 96314612* 96318070* 96318491* 96323235* | |
| 30/2171 | | | | | 96314611 96318069 96323234 | | |
| 30/2170 | | | | | 96314612 96318070 96323235 | | |

| Modello Model | Porte Doors | Configurazione Configurations | Foto Pictures | Connettore Connector | Cross OE | Alt. OE | Istruzioni Instructions |
|------------------|----------------|----------------------------------|------------------|-------------------------|----------|---------|----------------------------|
|------------------|----------------|----------------------------------|------------------|-------------------------|----------|---------|----------------------------|

MATIZ (M200, M250) 4 D 2005 ->

| | | | | | | | |
|---------|--|--|--|--|--|------------------------|--|
| 30/1474 | | | | | | 96485141* 96601565* | |
| 30/1473 | | | | | | 96485142* 96601566* | |

NEXIA 4 D 1995 -> 2008

| | | | | | | | |
|---------|--|--|--|--|--|--|--|
| 30/7029 | | | | | 140103 90186593 90186599 90186661 | | |
| 30/7030 | | | | | 140104 140152 90186594 90186600 | | |

ORLANDO (J309) 4 D 2010 ->

| | | | | | | | |
|---------|--|--|--|--|----------|--|--|
| 30/1965 | | | | | 95093206 | | |
| 30/1964 | | | | | 95093207 | | |

| | | | | | | | |
|---------|--|--|--|--|--|-------------------------------------|--|
| 30/2319 | | | | | | 95021796* 95919483* 96964420* | |
| 30/2318 | | | | | | 95021797* 95919483* 96964420* | |







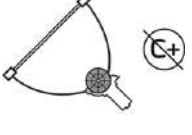
| | | | | | | | |
|---------|--|--|--|--|----------|--|--|
| 30/2283 | | | | | 95021796 | | |
| 30/2282 | | | | | 95021797 | | |

RACER 4 D 1986 -> 1997


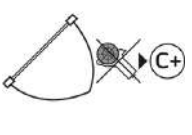




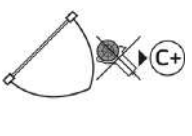



| | | | | | | | |
|---------|--|--|--|--|--|--|--|
| 30/7029 | | | | | 140103 90186593 90186599 90186661 | | |
| 30/7030 | | | | | 140104 140152 90186594 90186600 | | |

| Modello Model | Porte Doors | Configurazione Configurations | Foto Pictures | Connettore Connector | Cross OE | Alt. OE | Istruzioni Instructions |
|------------------|----------------|----------------------------------|------------------|-------------------------|----------|---------|----------------------------|
|------------------|----------------|----------------------------------|------------------|-------------------------|----------|---------|----------------------------|

SPARK (M300) 4 D 2009 ->

| | | | | | | | |
|---------|---|---|---|--|--|--|---|
| 30/1991 |  |  |  <small>POWER WINDOW ASSET ALZACRISTALLI DAEWOO SPARK</small> |  | 95129326 95919499 95947328 | |  |
| 30/1990 |  | | | | 95947329 95967077 95970603 | | |
| 30/2317 |  |  |  <small>POWER WINDOW ASSET ALZACRISTALLI DAEWOO SPARK</small> |  | 95959561 95967080 95969960 9591950 | |  |
| 30/2316 |  | | | | 95919506 95959562 95967081 95969961 | | |

TRAX 4 D 2012 ->

| | | | | | | | |
|---------|---|---|--|--|--------------------------------|--|---|
| 30/1973 |  |  |  <small>POWER WINDOW ASSET ALZACRISTALLI DAEWOO TRAX</small> | | 140383 95298985 95920027 | |  |
| 30/1972 |  | | | | 140384 95298986 95920028 | | |
| 30/1975 |  |  |  <small>POWER WINDOW ASSET ALZACRISTALLI DAEWOO TRAX</small> | | 140391 95920040 | |  |
| 30/1974 |  | | | | 140392 95920041 | | |

| Modello Model | Porte Doors | Configurazione Configurations | Foto Pictures | Connettore Connector | Cross OE | Alt. OE | Istruzioni Instructions |
|------------------|----------------|----------------------------------|------------------|-------------------------|----------|---------|----------------------------|
|------------------|----------------|----------------------------------|------------------|-------------------------|----------|---------|----------------------------|

AX (ZA-) 4 D 1986 -> 1998

| | | | | | | | |
|--------|--|--|--|--|----------------------|--|--|
| 30/685 | | | | | 95636555 96004213 | | |
| 30/684 | | | | | 95636556 96004214 | | |

BERLINGO (M_) / BERLINGO FIRST 2 D 1996 -> 2011

| | | | | | | | |
|---------|--|--|--|--|--------------------|---------|--|
| 30/886 | | | | | 9221G3 9222ASG | | |
| 30/885 | | | | | 9222ASGM 9222G1 | | |
| 30/221B | | | | | 9221A4 | | |
| 30/221 | | | | | 9222A4 | | |
| 30/1549 | | | | | | 9221G3* | |
| 30/1548 | | | | | | 9222G1* | |

BERLINGO (B9) 2 D 2008 ->

| | | | | | | | | |
|----------|-----|--|--|--|--|-----------------------------------|--|--|
| 30/1928 | LHD | | | | | 9222EQ | | |
| 30/1394 | | | | | | 9221ES* 9221GE* 9802389280* | | |
| 30/1393 | | | | | | 9222ER* 9222GC* 9802389180* | | |
| 30/1929C | LHD | | | | | 9802389280 9221ES 9221GE | | |

| Modello Model | Porte Doors | Configurazione Configurations | Foto Pictures | Connettore Connector | Cross OE | Alt. OE | Istruzioni Instructions |
|------------------|----------------|----------------------------------|------------------|-------------------------|----------|---------|----------------------------|
|------------------|----------------|----------------------------------|------------------|-------------------------|----------|---------|----------------------------|

BX (XB_) 4 D 1982 -> 1994

| | | | | | | | |
|---------|--|--|--|--|--|---------------------------------|--|
| 30/7035 | | | | | | 660213* 660223* 95649395* | |
| 30/7036 | | | | | | 660215* 660235* 95649394* | |

BX (XB_) BREAK 4 D 1983 -> 1994

| | | | | | | | |
|---------|--|--|--|--|--|---------------------------------|--|
| 30/7035 | | | | | | 660213* 660223* 95649395* | |
| 30/7036 | | | | | | 660215* 660235* 95649394* | |

C-CROSSER (VU_, VV_) 4 D 2007 -> 2012

| | | | | | | | |
|---------|--|--|--|--|--------------------|--|--|
| 30/2912 | | | | | 5713A087 9221CT | | |
| 30/2911 | | | | | 5713A354 9222CS | | |

C-ELYSEE (DD_) 4 D 2012 ->

| | | | | | | | |
|---------|--|--|--|--|------------|-------------|--|
| 30/2996 | | | | | 9674412480 | | |
| 30/2995 | | | | | 9674412380 | | |
| 30/2998 | | | | | | 9674412480* | |
| 30/2997 | | | | | | 9674412380* | |
| 30/3022 | | | | | 9674437380 | | |
| 30/3021 | | | | | 9674437280 | | |

| Modello Model | Porte Doors | Configurazione Configurations | Foto Pictures | Connettore Connector | Cross OE | Alt. OE | Istruzioni Instructions |
|------------------|----------------|----------------------------------|------------------|-------------------------|----------|---------|----------------------------|
|------------------|----------------|----------------------------------|------------------|-------------------------|----------|---------|----------------------------|

C-ELYSEE (DD_) 4 D 2012 ->

| | | | | | | | |
|---------|--|--|--|--|------------|-------------|--|
| 30/279B | | | | | 9674411680 | | |
| 30/279 | | | | | 9674411580 | | |
| 30/3024 | | | | | | 9674437380* | |
| 30/3023 | | | | | | 9674437280* | |

C1 (PM_, PN_) 2 D 2005 -> 2014

| | | | | | | | |
|---------|--|--|--|--|------------------------------------|------------------------|--|
| 30/1356 | | | | | 698200H020 9221T8 | | |
| 30/1355 | | | | | 698100H020 9222T6 | | |
| 30/2796 | | | | | 698200H020 9221T8 B000178480 | | |
| 30/2795 | | | | | 698100H020 9222T6 B000178380 | | |
| 30/1374 | | | | | | 698200H020* 9221T8* | |
| 30/1373 | | | | | | 698100H020* 9222T6* | |

C1 (PM_, PN_) 4 D 2005 -> 2014

| | | | | | | | |
|---------|--|--|--|--|------------------------------------|--|--|
| 30/1356 | | | | | 698200H020 9221T8 | | |
| 30/1355 | | | | | 698100H020 9222T6 | | |
| 30/2796 | | | | | 698200H020 9221T8 B000178480 | | |
| 30/2795 | | | | | 698100H020 9222T6 B000178380 | | |

| Modello Model | Porte Doors | Configurazione Configurations | Foto Pictures | Connettore Connector | Cross OE | Alt. OE | Istruzioni Instructions |
|------------------|----------------|----------------------------------|------------------|-------------------------|----------|---------|----------------------------|
|------------------|----------------|----------------------------------|------------------|-------------------------|----------|---------|----------------------------|

C1 (PM_, PN_) 4 D 2005 -> 2014

| | | | | | | | |
|---------|--|--|--|--|--|------------------------|--|
| 30/1374 | | | | | | 698200H020* 9221T8* | |
| 30/1373 | | | | | | 698100H020* 9222T6* | |

C1 II (PA_, PS_) 2 D 2014 -> 2021

| | | | | | | | |
|---------|--|--|--|--|--|--|--|
| 30/2800 | | | | | 698200H071 B000878480 B001019980 | | |
| 30/2799 | | | | | 698100H100 B000878280 B001019580 | | |
| 30/269B | | | | | 698200H080 B000878580 B001020080 | | |
| 30/269 | | | | | 698100H081 B000878380 B001019680 | | |

C1 II (PA_, PS_) 4 D 2014 -> 2021


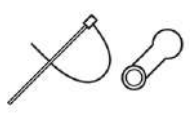




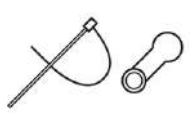


| | | | | | | | |
|---------|--|--|--|--|--|--|--|
| 30/2798 | | | | | 698200H030 698200H031 698200H110 B000848480 | | |
| 30/2797 | | | | | 698100H030 698100H031 698100H120 B000848280 | | |
| 30/2338 | | | | | 698200H030 698200H031 698200H110 B000848480 | | |
| 30/2337 | | | | | 698100H030 698100H031 698100H120 B000848280 | | |
| 30/268B | | | | | 698200H040 698200H041 B000848580 B001019480 | | |
| 30/268 | | | | | 698100H041 698100H130 B000848380 B001019880 | | |
| 30/2263 | | | | | | 698200H030* 698200H031* 698200H110* B000848480* | |
| 30/2262 | | | | | | 698100H030* 698100H031* 698100H120* B000848280* | |

| Modello Model | Porte Doors | Configurazione Configurations | Foto Pictures | Connettore Connector | Cross OE | Alt. OE | Istruzioni Instructions |
|------------------|----------------|----------------------------------|------------------|-------------------------|----------|---------|----------------------------|
|------------------|----------------|----------------------------------|------------------|-------------------------|----------|---------|----------------------------|


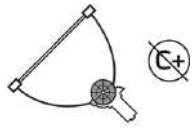


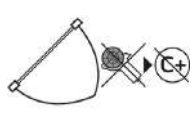


C2 (JM_) 2 D 2003 -> 2017

| | | | | | | | |
|---------|---|---|--|--|--|--------------------|---|
| 30/1583 |  |  |  POWER WINDOW LEFT ALZACRISTALLI ELETTRICO SX | | | 9221X3* 9222Q2 |  |
| 30/1582 |  |  | | | | 9222Q2* 9222X2* | |

C25 (280_, 290_) 2 D 1981 -> 1994

| | | | | | | | |
|---------|--|--|--|--|---------|--|--|
| 30/145B |  |  |  | | 4445609 | |  |
| 30/145 |  | | | | 4445608 | | |
| 30/178B |  |  |  | | 7672893 | |  |
| 30/178 |  | | | | 7672892 | | |

C3 AIRCROSS II (2R_, 2C_) 4 D 2017 ->

| | | | | | | | |
|---------|---|---|---|--|------------|--|---|
| 30/2642 |  |  |  POWER WINDOW RIGHT ALZACRISTALLI ELETTRICO DX | | YQ00112580 | |  |
| 30/2641 |  | | | | YQ00112680 | | |
| 30/2652 |  |  |  POWER WINDOW RIGHT ALZACRISTALLI ELETTRICO DX | | | YQ00112380* YQ00112580* YQ00469580* YQ00778280* |  |
| 30/2651 |  | | | | | YQ00112480* YQ00112680* YQ00469680* YQ00778380* | |
| 30/2692 |  |  |  POWER WINDOW LEFT ALZACRISTALLI ELETTRICO SX | | | YQ00048380* YQ00469780* YQ00779180* |  |
| 30/2691 |  | | | | | YQ00048480* YQ00469880* YQ00779280* | |

| Modello Model | Porte Doors | Configurazione Configurations | Foto Pictures | Connettore Connector | Cross OE | Alt. OE | Istruzioni Instructions |
|------------------|----------------|----------------------------------|------------------|-------------------------|----------|---------|----------------------------|
|------------------|----------------|----------------------------------|------------------|-------------------------|----------|---------|----------------------------|

C3 I (FC_, FN_) 4 D 2002 -> 2013

| | | | | | | | |
|---------|---|---|---|--|--|-------------------------------|---|
| 30/2454 |  |  |  |  | 9221AP 9221X4 | |  |
| 30/2453 |  |  |  |  | 9222AN 9223X3 | | |
| 30/2792 |  |  |  |  | 9682734580 9221AP 9221X4 | |  |
| 30/2791 |  |  |  |  | 9682734380 9222AN 9223X3 | | |
| 30/938C |  |  |  |  | 9221AQ 9221N7 9221X5 | |  |
| 30/937C |  |  |  |  | 9222AP 9222N5 9222X4 | | |
| 30/2409 |  |  |  |  | | 9221AQ* 9221N7* 9221X5* |  |
| 30/2408 |  |  |  |  | | 9222AP* 9222N5* 9222X4* | |
| 30/2844 |  |  |  |  | 9682721580 9221AQ 9221N7 9221X5 | |  |
| 30/2843 |  |  |  |  | 9682721480 9222AP 9222N5 9222X4 | | |
| 30/262B |  |  |  |  | 9221N6 | |  |
| 30/262 |  |  |  |  | 9222N6 | | |
| 30/938 |  |  |  |  | | 9221AQ* 9221N7* 9221X5* |  |
| 30/937 |  |  |  |  | | 9222AP* 9222N5* 9222X4* | |

| Modello Model | Porte Doors | Configurazione Configurations | Foto Pictures | Connettore Connector | Cross OE | Alt. OE | Istruzioni Instructions |
|------------------|----------------|----------------------------------|------------------|-------------------------|----------|---------|----------------------------|
|------------------|----------------|----------------------------------|------------------|-------------------------|----------|---------|----------------------------|

C3 I (FC_, FN_) 4 D 2002 -> 2013

| | | | | | | | |
|---------|--|--|--|--|--|--------------------|--|
| 30/2558 | | | | | | 922384 | |
| 30/2557 | | | | | | 922486 | |
| 30/2556 | | | | | | 922384* 922388* | |
| 30/2555 | | | | | | 922486* 922487* | |

C3 I (HB_) PLURIEL 2 D 2003 ->

| | | | | | | | |
|----------|-----|--|--|--|--|----------------------|--|
| 30/2185 | RHD | | | | | 9221X6 | |
| 30/2184 | LHD | | | | | 9222X5 | |
| 30/2183C | LHD | | | | | 9221P1 | |
| 30/2182C | RHD | | | | | 9222N9 | |
| 30/2379 | LHD | | | | | 9221P1* | |
| 30/2378 | RHD | | | | | 9222N9* | |
| 30/2183 | | | | | | 9221P1* 9222N9 | |
| 30/2182 | | | | | | 9222N9* 9222X5* | |
| 30/2471 | | | | | | 922383 9643071180 | |
| 30/2470 | | | | | | 922485 9643071080 | |

| Modello Model | Porte Doors | Configurazione Configurations | Foto Pictures | Connettore Connector | Cross OE | Alt. OE | Istruzioni Instructions |
|------------------|----------------|----------------------------------|------------------|-------------------------|----------|---------|----------------------------|
|------------------|----------------|----------------------------------|------------------|-------------------------|----------|---------|----------------------------|

C3 II (SC_) 4 D 2009 ->

| | | | | | | | |
|---------|--|--|--|--|--------|------------------------|--|
| 30/7037 | | | | | 9221FQ | | |
| 30/7038 | | | | | 9222FP | | |
| 30/1450 | | | | | | 9221FR* 9802617780* | |
| 30/1449 | | | | | | 9222FQ* 9802617380* | |
| 30/7039 | | | | | | 9223F9* 9802619380* | |
| 30/7040 | | | | | | 9224G3* 9802619280* | |
| 30/1452 | | | | | | 9223F9* 9802619380* | |
| 30/1451 | | | | | | 9224G3* 9802619280* | |

C3 II (SH_) PICASSO 4 D 2008 ->

| | | | | | | | |
|---------|--|--|--|--|--|-----------------------------------|--|
| 30/1446 | | | | | | 9221FZ* | |
| 30/1445 | | | | | | 9222FY* | |
| 30/1448 | | | | | | 9223E9* 9223G6* 9802602280* | |
| 30/1447 | | | | | | 9224F3* 9224H0* 9802602180* | |

C3 III (SX) 4 D 2016 ->

| | | | | | | | |
|---------|--|--|--|--|--|---|--|
| 30/2672 | | | | | | 9813093080* 9840154180* 9813092980 | |
| 30/2671 | | | | | | 9813092980* 9830478380* 9840154080* | |

| Modello Model | Porte Doors | Configurazione Configurations | Foto Pictures | Connettore Connector | Cross OE | Alt. OE | Istruzioni Instructions |
|------------------|----------------|----------------------------------|------------------|-------------------------|----------|---------|----------------------------|
|------------------|----------------|----------------------------------|------------------|-------------------------|----------|---------|----------------------------|

C4 COUPE' (LA_) 2 D 2004 -> 2013

| | | | | | | | |
|---------|--|--|---|--|--------|--|--|
| 30/2588 | | | | | 9221S1 | | |
| 30/2587 | | | POWER WINDOW LEFT ALZACRISTALLI ELETTRICO SX | | 9222R1 | | |

C4 I (LC_) 4 D 2004 -> 2014

| | | | | | | | |
|---------|--|--|-------|--|------------------|--------------------|--|
| 30/1289 | | | A | | 9221CR 9221V1 | | |
| 30/1288 | | | | | 9222CQ 9222V0 | | |
| 30/1581 | | | | | | 922390* 9223G9* | |
| 30/1580 | | | | | | 922489* 9224H3* | |

C4 I GRAND PICASSO (UA_) 4 D 2006 -> 2013

| | | | | | | | |
|----------|--|--|---|--|------------------|--|--|
| 30/1199C | | | | | | 9221CV* 9221CZ* 9221HJ* 9221Y5* | |
| 30/1198C | | | | | | 9222CT* 9222CY* 9222HG* 9222Y3* | |
| 30/1199 | | | | | 9221CV 9221Y5 | | |
| 30/1198 | | | | | 9222CT 9222Y3 | | |
| 30/1241 | | | Beware the gear pin along installation and do not the cables from the gear mechanism. It may damage the cables. Do not use any other cables than the ones provided by CITROËN. Evitare la lacerazione di cavi durante l'installazione a meno che non siano nuovi della Citroën. | | | 9223C0* 9223E0* | |
| 30/1240 | | | POWER WINDOW LEFT ALZACRISTALLI ELETTRICO SX | | | 9224C4* 9224E4* | |
| 30/1239 | | | | | | 9223A7* 9223C1* | |
| 30/1238 | | | | | | 9224C1* 9224C5* | |

| Modello Model | Porte Doors | Configurazione Configurations | Foto Pictures | Connettore Connector | Cross OE | Alt. OE | Istruzioni Instructions |
|------------------|----------------|----------------------------------|------------------|-------------------------|----------|---------|----------------------------|
|------------------|----------------|----------------------------------|------------------|-------------------------|----------|---------|----------------------------|

C4 I PICASSO I MPV / SPACE WAGON (UD_) 4 D 2006 -> 2015

| | | | | | | | |
|----------|--|--|--|--|--|--|--|
| 30/1199C | | | | | | 9221CV* 9221CZ* 9221HJ* 9221Y5* | |
| 30/1198C | | | | | | 9222CT* 9222CY* 9222HG* 9222Y3* | |
| 30/2902 | | | | | | 9682495680 | |
| 30/2901 | | | | | | 9674032680 | |
| 30/1199 | | | | | | 9221CV 9221Y5 | |
| 30/1198 | | | | | | 9222CT 9222Y3 | |
| 30/1241 | | | | | | 9223C0* 9223E0* | |
| 30/1240 | | | | | | 9224C4* 9224E4* | |

C4 II (NC_) 4 D 2013 ->

| | | | | | | | |
|---------|--|--|--|--|--|------------------------------------|--|
| 30/2846 | | | | | | 9802531980 9808505780 9221GR | |
| 30/2845 | | | | | | 9802531780 9808505580 9222GN | |
| 30/1454 | | | | | | 9221GR* 9802531980* | |
| 30/1453 | | | | | | 9222GN* 9802531780* | |
| 30/2848 | | | | | | 9802523780 9820885280 9223H0 | |
| 30/2847 | | | | | | 9802523180 9820885080 9224H4 | |

| Modello Model | Porte Doors | Configurazione Configurations | Foto Pictures | Connettore Connector | Cross OE | Alt. OE | Istruzioni Instructions |
|------------------|----------------|----------------------------------|------------------|-------------------------|----------|---------|----------------------------|
|------------------|----------------|----------------------------------|------------------|-------------------------|----------|---------|----------------------------|

C4 II (NC_) 4 D 2013 ->

| | | | | | | | |
|---------|--|--|--|--|----------------------|--|--|
| 30/267B | | | | | 9687186880 9223H1 | | |
| 30/267 | | | | | 9687187780 9224H5 | | |
| 30/1456 | | | | | | 9223H0* 9802523780* 9224H4* 9802523180* | |
| 30/1455 | | | | | | 9224H4* 9802523180* 9820885080* 9820885280* | |

C4 II CACTUS 4 D 2014 ->

| | | | | | | | |
|---------|--|--|--|--|------------|-------------|--|
| 30/2648 | | | | | 9810287780 | | |
| 30/2647 | | | | | 9810287480 | | |
| 30/2644 | | | | | | 9810287780* | |
| 30/2643 | | | | | | 9810287480* | |

C4 II GRAND PICASSO (DA_, DE_) 4 D 2013 ->

| | | | | | | | |
|---------|--|--|--|--|--|--|--|
| 30/2373 | | | | | | 9675924780* 9816272580* 9826076380* | |
| 30/2372 | | | | | | 9675924680* 9816272480* 9826076280* | |
| 30/2375 | | | | | | 9676172480* 9677185280* 9816272780* 9826076580* | |
| 30/2374 | | | | | | 9676172380* 9677185180* 9816272680* 9826076480* | |

| Modello Model | Porte Doors | Configurazione Configurations | Foto Pictures | Connettore Connector | Cross OE | Alt. OE | Istruzioni Instructions |
|------------------|----------------|----------------------------------|------------------|-------------------------|----------|---------|----------------------------|
|------------------|----------------|----------------------------------|------------------|-------------------------|----------|---------|----------------------------|

C4 II PICASSO 4 D 2013 ->

| | | | | | | | |
|---------|--|--|--|--|--|--|--|
| 30/2373 | | | | | | 9675924780* 9816272580* 9826076380* | |
| 30/2372 | | | | | | 9675924680* 9816272480* 9826076280* | |
| 30/2375 | | | | | | 9676172480* 9677185280* 9816272780* 9826076580* | |
| 30/2374 | | | | | | 9676172380* 9677185180* 9816272680* 9826076480* | |

C4 SPACETOURER (3D_) 4 D 2018 ->

| | | | | | | | |
|---------|--|--|--|--|--|--|--|
| 30/2373 | | | | | | 9675924780* 9816272580* 9826076380* | |
| 30/2372 | | | | | | 9675924680* 9816272480* 9826076280* | |
| 30/2375 | | | | | | 9676172480* 9677185280* 9816272780* 9826076580* | |
| 30/2374 | | | | | | 9676172380* 9677185180* 9816272680* 9826076480* | |

C5 AIRCROSS (A_) 4 D 2018 ->

| | | | | | | | |
|---------|--|--|--|--|--|--|--|
| 30/2778 | | | | | | 9810488980* 9819520280* 9830389380* 9830655880* | |
| 30/2777 | | | | | | 9810488880* 9819520080* 9830389280* 9830655780* | |

C5 I (DC_) 4 D 2001 -> 2005

| | | | | | | | |
|---------|--|--|--|--|--------|--|--|
| 30/1482 | | | | | 9221P7 | | |
| 30/1481 | | | | | 9222P5 | | |

| Modello Model | Porte Doors | Configurazione Configurations | Foto Pictures | Connettore Connector | Cross OE | Alt. OE | Istruzioni Instructions |
|------------------|----------------|----------------------------------|------------------|-------------------------|----------|---------|----------------------------|
|------------------|----------------|----------------------------------|------------------|-------------------------|----------|---------|----------------------------|

C5 I (DC_) 4 D 2001 -> 2005

| | | | | | | | |
|---------|--|--|--|--|--|---------|--|
| 30/1579 | | | | | | 922364* | |
| 30/1578 | | | | | | 922467* | |

C5 I (DE_) BREAK 4 D 2001 -> 2004

| | | | | | | | |
|---------|--|--|--|--|--------|--|--|
| 30/1482 | | | | | 9221P7 | | |
| 30/1481 | | | | | 9222P5 | | |

| | | | | | | | |
|---------|--|--|--|--|--|---------|--|
| 30/1579 | | | | | | 922364* | |
| 30/1578 | | | | | | 922467* | |

C5 II (RC_) 4 D 2004 -> 2008

| | | | | | | | |
|---------|--|--|--|--|--------|--|--|
| 30/1482 | | | | | 9221P7 | | |
| 30/1481 | | | | | 9222P5 | | |

| | | | | | | | |
|---------|--|--|--|--|--|---------|--|
| 30/1579 | | | | | | 922364* | |
| 30/1578 | | | | | | 922467* | |

C5 II (RE_) BREAK 4 D 2004 -> 2008

| | | | | | | | |
|---------|--|--|--|--|--------|--|--|
| 30/1482 | | | | | 9221P7 | | |
| 30/1481 | | | | | 9222P5 | | |

| Modello Model | Porte Doors | Configurazione Configurations | Foto Pictures | Connettore Connector | Cross OE | Alt. OE | Istruzioni Instructions |
|------------------|----------------|----------------------------------|------------------|-------------------------|----------|---------|----------------------------|
|------------------|----------------|----------------------------------|------------------|-------------------------|----------|---------|----------------------------|

C5 II (RE_) BREAK 4 D 2004 -> 2008

| | | | | | | | |
|---------|--|--|--|--|--|---------|--|
| 30/1579 | | | | | | 922364* | |
| 30/1578 | | | | | | 922467* | |

C5 III (RD_) 4 D 2008 -> 2017

| | | | | | | | |
|----------|---------|--|---|--|--|--|--|
| 30/1785 | | | | | | 1690891480* 9221EQ* 9221FY* 9675899080* | |
| 30/1784 | | | POWER WINDOW LEFT ALZACRISTALLI ELETTRICO SX | | | 1690891380* 9222EP* 9222FX* 9675898980* | |
| 30/1785C | LHD | | POWER WINDOW LEFT ALZACRISTALLI ELETTRICO SX | | 1690891480 9675899080 9221EQ 9221FY | | |
| 30/1787 | | | | | | 9223E2* 9223G5* 9675915280* | |
| 30/1786 | | | POWER WINDOW LEFT ALZACRISTALLI ELETTRICO SX | | | 9224E6* 9224G9* 9675915180* | |

C5 III (RW_) BREAK 4 D 2008 -> 2017

| | | | | | | | |
|----------|---------|--|---|--|--|--|--|
| 30/1785 | | | | | | 1690891480* 9221EQ* 9221FY* 9675899080* | |
| 30/1784 | | | POWER WINDOW LEFT ALZACRISTALLI ELETTRICO SX | | | 1690891380* 9222EP* 9222FX* 9675898980* | |
| 30/1785C | LHD | | POWER WINDOW LEFT ALZACRISTALLI ELETTRICO SX | | 1690891480 9675899080 9221EQ 9221FY | | |
| 30/1787 | | | | | | 9223E2* 9223G5* 9675915280* | |
| 30/1786 | | | POWER WINDOW LEFT ALZACRISTALLI ELETTRICO SX | | | 9224E6* 9224G9* 9675915180* | |

| Modello Model | Porte Doors | Configurazione Configurations | Foto Pictures | Connettore Connector | Cross OE | Alt. OE | Istruzioni Instructions |
|------------------|----------------|----------------------------------|------------------|-------------------------|----------|---------|----------------------------|
|------------------|----------------|----------------------------------|------------------|-------------------------|----------|---------|----------------------------|

C8 (EA_, EB_) 4 D 2002 ->

| | | | | | | | |
|--------|--|--|--|--|----------------------|--|--|
| 30/926 | | | | | 1485312080 9221L4 | | |
| 30/925 | | | | | 1485311080 9222L2 | | |

DS3 (SA_) 2 D 2009 -> 2016

| | | | | | | | |
|----------|---------|--|--|--|------------------------|--|--|
| 30/1543 | | | | | 9221FW | | |
| 30/1542 | | | | | 9222FV | | |
| 30/1527 | | | | | 9221FX* 9802740880* | | |
| 30/1526 | | | | | 9222FW* 9802740780* | | |
| 30/1543C | LHD | | | | 9802740880 9221FX | | |

DS3 CABRIOLET 2 D 2013 -> 2015

| | | | | | | | |
|----------|---------|--|--|--|------------------------|--|--|
| 30/1543 | | | | | 9221FW | | |
| 30/1542 | | | | | 9222FV | | |
| 30/1527 | | | | | 9221FX* 9802740880* | | |
| 30/1526 | | | | | 9222FW* 9802740780* | | |
| 30/1543C | LHD | | | | 9802740880 9221FX | | |

| Modello Model | Porte Doors | Configurazione Configurations | Foto Pictures | Connettore Connector | Cross OE | Alt. OE | Istruzioni Instructions |
|------------------|----------------|----------------------------------|------------------|-------------------------|----------|---------|----------------------------|
|------------------|----------------|----------------------------------|------------------|-------------------------|----------|---------|----------------------------|

DS4 (NX_) 4 D 2011 -> 2015

| | | | | | | | |
|---------|--|--|--|--|------------------------------------|------------------------|--|
| 30/2846 | | | | | 9802531980 9808505780 9221GR | | |
| 30/2845 | | | | | 9802531780 9808505580 9222GN | | |
| 30/1454 | | | | | | 9221GR* 9802531980* | |
| 30/1453 | | | | | | 9222GN* 9802531780* | |

DS5 4 D 2011 -> 2016

| | | | | | | | |
|---------|--|--|--|--|--------------------------|---|--|
| 30/2852 | | | | | 9804388280 | | |
| 30/2851 | | | | | 9804388180 | | |
| 30/1963 | | | | | | 9687511780* 9802582080* 9804388280* | |
| 30/1962 | | | | | | 9687123480* 9802581980* 9804388180* | |
| 30/2850 | | | | | 9687618480 9802581880 | | |
| 30/2849 | | | | | 9687060680 9802581780 | | |
| 30/7041 | | | | | | 9687618480* 9802581880* | |
| 30/7042 | | | | | | 9687060680* 9802581780* | |

EVASION MPV / SPACE WAGON (22, U6) 4 D 1994 -> 2002

| | | | | | | | |
|--------|--|--|--|--|--|--|--|
| 30/856 | | | | | 922334 1462445080 1484120080 1488560080 | | |
| 30/855 | | | | | 922434 1462444080 1484119080 1488559080 | | |

| Modello Model | Porte Doors | Configurazione Configurations | Foto Pictures | Connettore Connector | Cross OE | Alt. OE | Istruzioni Instructions |
|------------------|----------------|----------------------------------|------------------|-------------------------|----------|---------|----------------------------|
|------------------|----------------|----------------------------------|------------------|-------------------------|----------|---------|----------------------------|

EVASION MPV / SPACE WAGON (22, U6) 4 D 1994 -> 2002

| | | | | | | | |
|---------|--|--|--|--|--|--|--|
| 30/1925 | | | | | 922333 922378 1484122080 92243 | | |
| 30/1924 | | | | | 922433 922454 922481 1484121080 | | |

GRAND C4 SPACETOURER (3A_, 3E_) 4 D 2018 ->

| | | | | | | | |
|---------|--|--|--|--|--|--|--|
| 30/2373 | | | | | | 9675924780* 9816272580* 9826076380* | |
| 30/2372 | | | | | | 9675924680* 9816272480* 9826076280* | |
| 30/2375 | | | | | | 9676172480* 9677185280* 9816272780* 9826076580* | |
| 30/2374 | | | | | | 9676172380* 9677185180* 9816272680* 9826076480* | |

JUMPER / RELAY (230P, 244) 2 D 1994 -> 2002

| | | | | | | | |
|---------|--|--|--|--|--|--|--|
| 30/745 | | | | | 922189 1313852080 1322758080 1341396080 | | |
| 30/744 | | | | | 1313851080 1322757080 1341395080 9222F0 | | |
| 30/181B | | | | | 1311036080 1320338080 9221F3 | | |
| 30/181 | | | | | 1311035080 1320337080 9222F1 | | |

JUMPER II 2 D 2006 ->


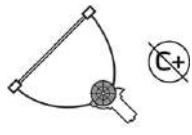





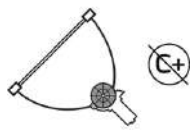





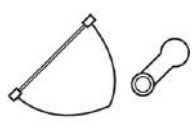



| | | | | | | | |
|---------|--|--|--|--|--|--|--|
| 30/7043 | | | | | | 1394449080* 68159239AB* 68267290AA* 68267290AB* | |
| 30/7044 | | | | | | 166231580* 68159238AB* 68267289AA* 68267289AB* | |

| Modello Model | Porte Doors | Configurazione Configurations | Foto Pictures | Connettore Connector | Cross OE | Alt. OE | Istruzioni Instructions |
|------------------|----------------|----------------------------------|------------------|-------------------------|----------|---------|----------------------------|
|------------------|----------------|----------------------------------|------------------|-------------------------|----------|---------|----------------------------|


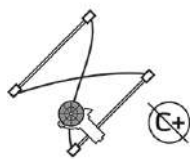




JUMPER II 2 D 2006 ->

| | | | | | | | |
|----------|-----|--|---|--|--|--|---|
| 30/1551B | |  |  |  POWER WINDOW LEFT ALZACRISTALLI ELETTRICO SX |  | 1368922080* 1607395480* 1607706980* 9221X7* |  |
| 30/1550B | |  | | | | 1368921080* 1607395380* 68159238AB* 68267289AA* | |
| 30/986 | LHD |  |  |  POWER WINDOW LEFT ALZACRISTALLI ELETTRICO SX |  | 53183596 1340453080 1368043080 1368918080 |  |
| 30/985 | RHD |  | | | | 1606231580 1607707180 9222X6 68159238AB | |
| 30/1229 | |  |  |  | | 1340453080* 1366564080* 1368043080* 1368918080* |  |
| 30/1228 | |  | | | | 1340398080* 1358175080* 1366562080* 1368042080* | |

JUMPY I (U6U_) 2 D 1994 -> 2006

| | | | | | | | |
|---------|--|---|---|---|--|--|---|
| 30/2808 | |  |  |  |  | 1488560080 9221F7 9221H5 |  |
| 30/2807 | |  | | | | 1488559080 9222F5 9222H3 | |
| 30/856 | |  |  |  |  | 922334 1462445080 1484120080 1488560080 |  |
| 30/855 | |  | | | | 922434 1462444080 1484119080 1488559080 | |
| 30/275B | |  |  |  | | 922190 1470070080 1488307080 9221N8 |  |
| 30/275 | |  | | | | 922289 1470069080 1488306080 9222N7 | |

JUMPY II (VF7) 2 D 2007 -> 2016

| | | | | | | | |
|---------|--|---|---|---|--|--|---|
| 30/1771 | |  |  |  |  | 1440161480 1499438080 9222HF 9222 |  |
| 30/1770 | |  | | | | 1440161480 1499438080 9222HF 9222Z4 | |

| Modello Model | Porte Doors | Configurazione Configurations | Foto Pictures | Connettore Connector | Cross OE | Alt. OE | Istruzioni Instructions |
|------------------|----------------|----------------------------------|------------------|-------------------------|----------|---------|----------------------------|
|------------------|----------------|----------------------------------|------------------|-------------------------|----------|---------|----------------------------|

JUMPY II (VF7) 2 D 2007 -> 2016

| | | | | | | | |
|----------|--|--|--|--|--|--|--|
| 30/1525C | | | | | 1440161380 1499439080 9221Z6 9221HG | | |
| 30/1524C | | | | | 1440161580 1498743080 9222HE 9222Z5 | | |
| 30/2410 | | | | | | 1499439080* 9221HE* 9221Z6* | |
| 30/2411 | | | | | | 1498743080* 9222HE* 9222Z5* | |
| 30/275B | | | | | 922190 1470070080 1488307080 9221N8 | | |
| 30/275 | | | | | 922289 1470069080 1488306080 9222N7 | | |
| 30/1525 | | | | | | 1440161380* 1499439080* 9221HG* 9221Z6* | |
| 30/1524 | | | | | | 1440161580* 1499438080* 9222HF* 9222Z4* | |

JUMPY III (V_) 4 D 2016 ->









| | | | | | | | |
|---------|--|--|--|--|--|--|--|
| 30/3106 | | | | | | 9806619480* 9840159480* 9829889780* 9808388580* | |
| 30/3107 | | | | | | 9806618780* 9840159380* 9829889680* 9808388480* | |

NEMO (AA_) 4 D 2008 ->

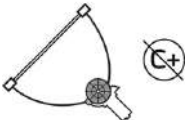
| | | | | | | | |
|---------|--|--|--|--|--|--|--|
| 30/278B | | | | | 52148373 1354725080 1368330080 1671331480 | | |
| 30/278 | | | | | 52148371 1354699090 1368828080 1671331580 | | |
| 30/1227 | | | | | | 1354726080* 1368331080* 1666090580* 52134009* | |
| 30/1226 | | | | | | 1354700080* 1368329080* 1656267580* 52134008* | |

| Modello Model | Porte Doors | Configurazione Configurations | Foto Pictures | Connettore Connector | Cross OE | Alt. OE | Istruzioni Instructions |
|------------------|----------------|----------------------------------|------------------|-------------------------|----------|---------|----------------------------|
|------------------|----------------|----------------------------------|------------------|-------------------------|----------|---------|----------------------------|

SAXO (S0, S1) 2 D 1996 -> 2004

| | | | | | | | |
|---------|---|---|--|--|--------------------------------|--|---|
| 30/850 |  |  |  <small>POWER WINDOW LEFT ALZACRISTALLI ELETTRICI SX</small> |  | 9221F4 9221H2 | |  |
| 30/849 |  | | | | 9222F2 9222H0 | | |
| 30/2814 |  |  |  <small>OE</small> |  | 9636629480 9221F4 9221H2 | |  |
| 30/2813 |  | | | | 9636629380 9222F2 9222H0 | | |


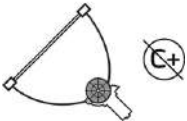




SAXO (S0, S1) 4 D 1996 -> 2004

| | | | | | | | |
|---------|---|---|---|--|--|--|---|
| 30/852 |  |  |  <small>POWER WINDOW LEFT ALZACRISTALLI ELETTRICI SX</small> |  | 922182 9221F5 9221H1 | |  |
| 30/851 |  | | | | 922281 9222F3 9222G9 | | |
| 30/2816 |  |  |  <small>OE</small> |  | 922182 9636631380 9221F5 9221H1 | |  |
| 30/2815 |  | | | | 922281 9636631280 9222F3 9222G9 | | |

SPACETOURER (V_) 2 D 2016 ->







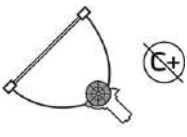




| | | | | | | | |
|---------|---|---|--|--|--|--|---|
| 30/3106 |  |  |  <small>POWER WINDOW LEFT ALZACRISTALLI ELETTRICI SX</small> |  | 9806619480* 9840159480* 9829889780* 9808388580* | |  |
| 30/3107 |  | | | | 9806618780* 9840159380* 9829889680* 9808388480* | | |

XANTIA (X1_, X2_) 4 D 1993 -> 2003

| | | | | | | | |
|---------|---|---|---|--|------------------------------|--|---|
| 30/1064 |  |  |  |  | 96092316 9221F8 960923 | |  |
| 30/1063 |  | | | | 96092315 9222F6 9222E1 | | |

| Modello Model | Porte Doors | Configurazione Configurations | Foto Pictures | Connettore Connector | Cross OE | Alt. OE | Istruzioni Instructions |
|------------------|----------------|----------------------------------|------------------|-------------------------|----------|---------|----------------------------|
|------------------|----------------|----------------------------------|------------------|-------------------------|----------|---------|----------------------------|


XANTIA (X1_, X2_) 4 D 1993 -> 2003

| | | | | | | | |
|---------|---|---|---|--|--------|----------------------|---|
| 30/1809 |  |  |  | | | 9221F8* 96092316* |  |
| 30/1808 |  | | | | | 9222F6* 96092315* | |
| 30/7045 |  |  |  |  | 922370 | |  |
| 30/7046 |  | | | | 922473 | | |

XANTIA BREAK (X1_, X2_) 4 D 1995 -> 2003

| | | | | | | | |
|---------|---|---|---|--|------------------------------|----------------------|---|
| 30/1064 |  |  |  |  | 96092316 9221F8 960923 | |  |
| 30/1063 |  | | | | 96092315 9222F6 9222E1 | | |
| 30/1809 |  |  |  | | | 9221F8* 96092316* |  |
| 30/1808 |  | | | | | 9222F6* 96092315* | |
| 30/7045 |  |  |  |  | 922370 | |  |
| 30/7046 |  | | | | 922473 | | |

XSARA (N1) 4 D 1997 -> 2005

| | | | | | | | |
|---------|---|---|---|--|----------------------------|--|---|
| 30/7049 |  |  |  |  | 9221G4 9221H4 9222C | |  |
| 30/7050 |  | | | | 9222C6 9222G2 9222H2 | | |
| 30/2223 |  |  |  |  | 9221C7 9221H4 | |  |
| 30/2222 |  | | | | 9222C6 9222H2 | | |

| Modello Model | Porte Doors | Configurazione Configurations | Foto Pictures | Connettore Connector | Cross OE | Alt. OE | Istruzioni Instructions |
|------------------|----------------|----------------------------------|------------------|-------------------------|----------|---------|----------------------------|
|------------------|----------------|----------------------------------|------------------|-------------------------|----------|---------|----------------------------|

XSARA (N1) 4 D 1997 -> 2005

| | | | | | | | |
|---------|--|--|--|--|--|-----------------------------------|--|
| 30/2794 | | | | | 9643807480 9221C7 9221G4 9221H4 | | |
| 30/2793 | | | | | 9643807380 9222C6 9222G2 9222H2 | | |
| 30/1052 | | | | | | 9221J2* 9221L3* 9643808080* | |
| 30/1051 | | | | | | 9222J0* 9222L1* 9643807980* | |
| 30/7051 | | | | | 922354 92244 | | |
| 30/7052 | | | | | 922446 922455 | | |
| 30/7053 | | | | | 922354 92244 | | |
| 30/7054 | | | | | 922446 922455 | | |
| 30/263B | | | | | 922346 9647649080 | | |
| 30/263 | | | | | 922447 9647648980 | | |

XSARA BREAK (N2) 4 D 1997 -> 2010

| | | | | | | | |
|---------|--|--|--|--|----------------------------|--|--|
| 30/7049 | | | | | 9221G4 9221H4 9222C | | |
| 30/7050 | | | | | 9222C6 9222G2 9222H2 | | |
| 30/2223 | | | | | 9221C7 9221H4 | | |
| 30/2222 | | | | | 9222C6 9222H2 | | |

| Modello Model | Porte Doors | Configurazione Configurations | Foto Pictures | Connettore Connector | Cross OE | Alt. OE | Istruzioni Instructions |
|------------------|----------------|----------------------------------|------------------|-------------------------|----------|---------|----------------------------|
|------------------|----------------|----------------------------------|------------------|-------------------------|----------|---------|----------------------------|

XSARA BREAK (N2) 4 D 1997 -> 2010

| | | | | | | | |
|---------|--|--|--|--|--|-----------------------------------|--|
| 30/2794 | | | | | 9643807480 9221C7 9221G4 9221H4 | | |
| 30/2793 | | | | | 9643807380 9222C6 9222G2 9222H2 | | |
| 30/1052 | | | | | | 9221J2* 9221L3* 9643808080* | |
| 30/1051 | | | | | | 9222J0* 9222L1* 9643807980* | |
| 30/7051 | | | | | 922354 92244 | | |
| 30/7052 | | | | | 922446 922455 | | |
| 30/7053 | | | | | 922354 92244 | | |
| 30/7054 | | | | | 922446 922455 | | |
| 30/263B | | | | | 922346 9647649080 | | |
| 30/263 | | | | | 922447 9647648980 | | |

XSARA COUPE' (N0) 2 D 1998 -> 2005

| | | | | | | | |
|---------|--|--|--|--|----------------------------|--------------------|--|
| 30/7047 | | | | | 9221G5 9221G7 9222C | | |
| 30/7048 | | | | | 9222C8 9222G3 9222G5 | | |
| 30/1231 | | | | | | 9221J4* 9221L1* | |
| 30/1230 | | | | | | 9222J2* 9222K9* | |

| Modello Model | Porte Doors | Configurazione Configurations | Foto Pictures | Connettore Connector | Cross OE | Alt. OE | Istruzioni Instructions |
|------------------|----------------|----------------------------------|------------------|-------------------------|----------|---------|----------------------------|
|------------------|----------------|----------------------------------|------------------|-------------------------|----------|---------|----------------------------|

XSARA PICASSO (N68) 4 D 1999 -> 2012

| | | | | | | | |
|---------|-----|--|--|--|----------------------|------------------------|--|
| 30/940 | LHD | | | | 9221G1 | | |
| 30/939 | | | | | 9222F9 | | |
| 30/1412 | LHD | | | | | 1619992180* 9221G2* | |
| 30/1411 | RHD | | | | | 1619993380* 9222G0* | |
| 30/3086 | RHD | | | | | 9221G1* | |
| 30/3087 | LHD | | | | | 9222F9* | |
| 30/940C | LHD | | | | | 1619992180 9221G2 | |
| 30/930 | | | | | 922470 9637090980 | | |
| 30/929 | | | | | 922367 9637090880 | | |

ZX (N2) 2 D 1991 -> 1999

| | | | | | | | |
|---------|--|--|--|--|---------|--|--|
| 30/7055 | | | | | 9608073 | | |
| 30/7056 | | | | | 9222A0 | | |

ZX (N2) 4 D 1991 -> 1999

| | | | | | | | |
|---------|--|--|--|--|--------------------|--|--|
| 30/7057 | | | | | 96029378 9221A3 | | |
| 30/7058 | | | | | 96029377 9222A1 | | |

| Modello Model | Porte Doors | Configurazione Configurations | Foto Pictures | Connettore Connector | Cross OE | Alt. OE | Istruzioni Instructions |
|------------------|----------------|----------------------------------|------------------|-------------------------|----------|---------|----------------------------|
|------------------|----------------|----------------------------------|------------------|-------------------------|----------|---------|----------------------------|

ZX BREAK (N2) 4 D 1993 -> 1999

| | | | | | | | |
|---------|---|---|---|--|--------------------|--|---|
| 30/7057 |  |  |  |  | 96029378 9221A3 | |  |
| 30/7058 |  | | | | 96029377 9222A1 | | |

| Modello Model | Porte Doors | Configurazione Configurations | Foto Pictures | Connettore Connector | Cross OE | Alt. OE | Istruzioni Instructions |
|------------------|----------------|----------------------------------|------------------|-------------------------|----------|---------|----------------------------|
|------------------|----------------|----------------------------------|------------------|-------------------------|----------|---------|----------------------------|

DOKKER (KE_) 4 D 2012 -> 2021

| | | | | | | | |
|---------|--|--|--|--|------------|--|--|
| 30/2342 | | | | | 807213915R | | |
| 30/2341 | | | | | 807209071R | | |

DUSTER (HS_) 4 D 2010 -> 2018

| | | | | | | | |
|---------|--|--|--|--|--|-------------|--|
| 30/1731 | | | | | 8200733829 | | |
| 30/1730 | | | | | 8200733828 | | |
| 30/1841 | | | | | | 8200733829* | |
| 30/1840 | | | | | | 8200733828* | |
| 30/7059 | | | | | 8200603795 8200733833 827211875R 820060381 | | |
| 30/7060 | | | | | 8200603810 8200733832 827208348R 927208348R | | |

DUSTER (HM_) 4 D 2017 ->

| | | | | | | | |
|---------|--|--|--|--|------------|-------------|--|
| 30/2884 | | | | | | 807210272R* | |
| 30/2883 | | | | | | 807201952R* | |
| 30/2908 | | | | | | 807210272R* | |
| 30/2907 | | | | | | 807201952R* | |
| 30/2894 | | | | | 827210622R | | |
| 30/2893 | | | | | 827208597R | | |

| Modello Model | Porte Doors | Configurazione Configurations | Foto Pictures | Connettore Connector | Cross OE | Alt. OE | Istruzioni Instructions |
|------------------|----------------|----------------------------------|------------------|-------------------------|----------|---------|----------------------------|
|------------------|----------------|----------------------------------|------------------|-------------------------|----------|---------|----------------------------|

DUSTER (HM_) 4 D 2017 ->

| | | | | | | | |
|---------|--|--|--|--|--|-------------|--|
| 30/2934 | | | | | | 827210622R* | |
| 30/2933 | | | <small>POWER WINDOW RIGHT ALZACRISTALLI ELETTRICO DX</small> | | | 827208597R* | |

LODGY (JS_) 4 D 2012 ->

| | | | | | | | |
|---------|--|--|---|--|------------|--|--|
| 30/2342 | | | | | 807213915R | | |
| 30/2341 | | | <small>POWER WINDOW LEFT ALZACRISTALLI ELETTRICO SX</small> | | 807209071R | | |

LOGAN (LS_) 4 D 2004 ->

| | | | | | | | |
|---------|--|--|---|--|--|----------------------------|--|
| 30/1350 | | | | | 6001547149 6001550253 8200804290 8200901099 | | |
| 30/1349 | | | <small>POWER WINDOW LEFT ALZACRISTALLI ELETTRICO SX</small> | | 6001547150 6001550254 8200804297 8200901102 | | |
| 30/1346 | | | | | | 6001547149* 8200884403* | |
| 30/1345 | | | <small>POWER WINDOW LEFT ALZACRISTALLI ELETTRICO SX</small> | | | 6001547150* 8200901102* | |
| 30/1348 | | | | | 6001547153 6001550233 8200804299 8200901104 | | |
| 30/1347 | | | <small>POWER WINDOW LEFT ALZACRISTALLI ELETTRICO SX</small> | | 6001547154 6001550234 8200804301 8200901105 | | |

LOGAN EXPRESS (FS_) 2 D 2007 ->

| | | | | | | | |
|---------|--|--|---|--|--|--|--|
| 30/1350 | | | | | 6001547149 6001550253 8200804290 8200901099 | | |
| 30/1349 | | | <small>POWER WINDOW LEFT ALZACRISTALLI ELETTRICO SX</small> | | 6001547150 6001550254 8200804297 8200901102 | | |

| Modello Model | Porte Doors | Configurazione Configurations | Foto Pictures | Connettore Connector | Cross OE | Alt. OE | Istruzioni Instructions |
|------------------|----------------|----------------------------------|------------------|-------------------------|----------|---------|----------------------------|
|------------------|----------------|----------------------------------|------------------|-------------------------|----------|---------|----------------------------|

LOGAN EXPRESS (FS_) 2 D 2007 ->

| | | | | | | | |
|---------|--|--|--|--|--|----------------------------|--|
| 30/1346 | | | | | | 6001547149* 8200884403* | |
| 30/1345 | | | | | | 6001547150* 8200901102* | |
| 30/1348 | | | | | 6001547153 6001550233 8200804299 8200901104 | | |
| 30/1347 | | | | | 6001547154 6001550234 8200804301 8200901105 | | |

LOGAN II 4 D 2012 ->

| | | | | | | | |
|---------|--|--|--|--|------------|--|--|
| 30/7061 | | | | | 807213282R | | |
| 30/7062 | | | | | 807209299R | | |

SANDERO 4 D 2008 ->

| | | | | | | | |
|---------|--|--|--|--|--|-------------|--|
| 30/1731 | | | | | 8200733829 | | |
| 30/1730 | | | | | 8200733828 | | |
| 30/1841 | | | | | | 8200733829* | |
| 30/1840 | | | | | | 8200733828* | |
| 30/7059 | | | | | 8200603795 8200733833 827211875R 820060381 | | |
| 30/7060 | | | | | 8200603810 8200733832 827208348R 927208348R | | |

| Modello Model | Porte Doors | Configurazione Configurations | Foto Pictures | Connettore Connector | Cross OE | Alt. OE | Istruzioni Instructions |
|------------------|----------------|----------------------------------|------------------|-------------------------|----------|---------|----------------------------|
|------------------|----------------|----------------------------------|------------------|-------------------------|----------|---------|----------------------------|

SANDERO II 4 D 2012 ->

| | | | | | | | |
|---------|---|---|---|--|------------|--|---|
| 30/7061 |  |  |  |  | 807213282R | |  |
| 30/7062 |  | | | | 807209299R | | |

| Modello Model | Porte Doors | Configurazione Configurations | Foto Pictures | Connettore Connector | Cross OE | Alt. OE | Istruzioni Instructions |
|------------------|----------------|----------------------------------|------------------|-------------------------|----------|---------|----------------------------|
|------------------|----------------|----------------------------------|------------------|-------------------------|----------|---------|----------------------------|

65 CF / 75 CF / 85 CFJ 2 D 1998 ->

| | | | | | | | |
|---------|--|--|--|--|---------|--|--|
| 30/2065 | | | | | 1374568 | | |
| 30/2064 | | | | | 1374569 | | |

95XF / XF95 / XF105 2 D 1997 ->

| | | | | | | | |
|---------|--|--|--|--|---------|--|--|
| 30/2067 | | | | | 1354702 | | |
| 30/2066 | | | | | 1354703 | | |

CF 2 D 2013 ->

| | | | | | | | |
|---------|--|--|--|--|--|----------|--|
| 30/1781 | | | | | | 1779727* | |
| 30/1780 | | | | | | 1779728* | |

CF SERIE 2 D 2001 ->

| | | | | | | | |
|---------|--|--|--|--|---------|----------|--|
| 30/2065 | | | | | 1374568 | | |
| 30/2064 | | | | | 1374569 | | |
| 30/1781 | | | | | | 1779727* | |
| 30/1780 | | | | | | 1779728* | |

LF 2 D 2013 ->

| | | | | | | | |
|---------|--|--|--|--|---|--|--|
| 30/1521 | | | | | 1400753 1705698 1707356 1714809 | | |
| 30/1520 | | | | | 1400754 1705699 1707357 20557554 | | |

| Modello Model | Porte Doors | Configurazione Configurations | Foto Pictures | Connettore Connector | Cross OE | Alt. OE | Istruzioni Instructions |
|------------------|----------------|----------------------------------|------------------|-------------------------|----------|---------|----------------------------|
|------------------|----------------|----------------------------------|------------------|-------------------------|----------|---------|----------------------------|

LF 2 D 2013 ->

| | | | | | | | |
|---------|--|--|--|--|--------------------------|--|--|
| 30/247B | | | | | 5010301991 7482497191 | | |
| 30/247 | | | | | 5010301992 7482497192 | | |

LF 45 LF 55 2 D 2001 ->

| | | | | | | | |
|---------|--|--|--|--|---|--|--|
| 30/1521 | | | | | 1400753 1705698 1707356 1714809 | | |
| 30/1520 | | | | | 1400754 1705699 1707357 20557554 | | |

XF105 2 D 2005 ->

| | | | | | | | |
|---------|--|--|---|--|---------|----------------------|--|
| 30/2067 | | | | | 1354702 | | |
| 30/2066 | | | <small>POWER WINDOW LEFT ALZACRISTALLI ELETTRICI SX</small> | | 1354703 | | |
| 30/1783 | | | | | | 1779721* 1918145* | |
| 30/1782 | | | <small>POWER WINDOW LEFT ALZACRISTALLI ELETTRICI SX</small> | | | 1779722* 1918146* | |

XF106 2 D 2013 -> 2022


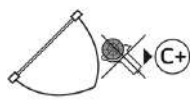



| | | | | | | | |
|---------|--|--|---|--|---------|--|--|
| 30/2608 | | | | | 1881914 | | |
| 30/2607 | | | <small>POWER WINDOW LEFT ALZACRISTALLI ELETTRICI SX</small> | | 1881915 | | |

XF95 2 D 2002 -> 2006

| | | | | | | | |
|---------|--|--|---|--|---------|--|--|
| 30/2067 | | | | | 1354702 | | |
| 30/2066 | | | <small>POWER WINDOW LEFT ALZACRISTALLI ELETTRICI SX</small> | | 1354703 | | |

| Modello Model | Porte Doors | Configurazione Configurations | Foto Pictures | Connettore Connector | Cross OE | Alt. OE | Istruzioni Instructions |
|------------------|----------------|----------------------------------|------------------|-------------------------|----------|---------|----------------------------|
|------------------|----------------|----------------------------------|------------------|-------------------------|----------|---------|----------------------------|

XF95 2 D 2002 -> 2006

| | | | | | | |
|---------|---|---|---|--|----------------------|---|
| 30/1783 |  |  |  | | 1779721* 1918145* |  |
| 30/1782 |  | | | | 1779722* 1918146* | |

| Modello Model | Porte Doors | Configurazione Configurations | Foto Pictures | Connettore Connector | Cross OE | Alt. OE | Istruzioni Instructions |
|------------------|----------------|----------------------------------|------------------|-------------------------|----------|---------|----------------------------|
|------------------|----------------|----------------------------------|------------------|-------------------------|----------|---------|----------------------------|

HIJET (S100,S110,S120,S130) 2 D 1993 -> 1998

| | | | | | | | |
|---------|--|--|--|--|--|--|--|
| 30/2163 | | | | | | 698208760600 0* | |
| 30/2162 | | | | | | 698108760600 0* 857108760100 0* | |

HIJET (S100,S110,S120,S130) 4 D 1993 -> 1998

| | | | | | | | |
|---------|--|--|--|--|--|--|--|
| 30/2163 | | | | | | 698208760600 0* 857208760100 0* | |
| 30/2162 | | | | | | 698108760600 0* 857108760100 0* | |

TERIOS (J1_) 4 D 1997 -> 2006






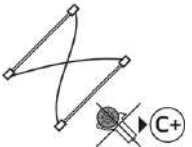



| | | | | | | | |
|---------|--|--|--|--|--|----------------------------|--|
| 30/1599 | | | | | | 6980287401* 8572087401* | |
| 30/1598 | | | | | | 6980187401* 8571087401* | |

TERIOS (J2_, F7_) 4 P 2005 -> 2018


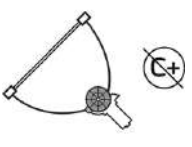





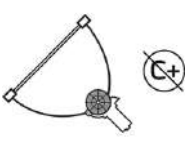




| | | | | | | | |
|---------|--|--|--|--|--|-------------------|--|
| 30/7065 | | | | | | 698408740100 0 | |
| 30/7066 | | | | | | 698308740100 0 | |

| Modello Model | Porte Doors | Configurazione Configurations | Foto Pictures | Connettore Connector | Cross OE | Alt. OE | Istruzioni Instructions |
|------------------|----------------|----------------------------------|------------------|-------------------------|----------|---------|----------------------------|
|------------------|----------------|----------------------------------|------------------|-------------------------|----------|---------|----------------------------|


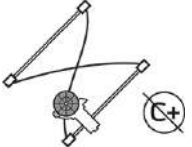



JOURNEY 4 D 2008 ->

| | | | | | | | |
|---------|---|---|--|--|-------------|--|---|
| 30/1789 |  |  |  POWER WINDOW LEFT ALZACRISTALLI ELETTRICO SX | | K68043735AA | |  |
| 30/1788 |  | | | | K68043734AA | | |
| 30/1791 |  |  |  POWER WINDOW LEFT ALZACRISTALLI ELETTRICO SX | | K68043739AA | |  |
| 30/1790 |  | | | | K68043738AA | | |

PT CRUISER (PT_) 4 D 2000 -> 2010

| | | | | | | | |
|---------|---|---|--|--|--|--|---|
| 30/1577 |  |  |  POWER WINDOW LEFT ALZACRISTALLI ELETTRICO SX |  | | K05017811AA* K05017811AB* K05017811AC* K05017815AB* |  |
| 30/1576 |  | | | | | K05017810AA* K05017810AB* K05017810AC* K05017814AA* | |
| 30/7069 |  |  |  POWER WINDOW LEFT ALZACRISTALLI ELETTRICO SX |  | | 5018715AA* K05017813AB* K05017813AC* K05017815AA* |  |
| 30/7070 |  | | | | | 5017812AB* K05017812AB* K05017812AC* K05127832AA* | |

VOYAGER / GRAND VOYAGER III (GS_, NS_) 4 D 1992 -> 2001

| | | | | | | | |
|---------|---|---|--|--|---|--|---|
| 30/1149 |  |  |  POWER WINDOW LEFT ALZACRISTALLI ELETTRICO SX |  | 4796307 68037297AA K04675587AB K04675587AC | |  |
| 30/1148 |  | | | | 4796306 68037296AA K04675586AB K04675586AC | | |

VOYAGER IV (RG,RS) 4 D 1999 -> 2008

| | | | | | | | |
|---------|---|---|--|--|-------------|--|---|
| 30/1151 |  |  |  POWER WINDOW LEFT ALZACRISTALLI ELETTRICO SX |  | K04894527AA | |  |
| 30/1150 |  | | | | K04894526AA | | |

| Modello Model | Porte Doors | Configurazione Configurations | Foto Pictures | Connettore Connector | Cross OE | Alt. OE | Istruzioni Instructions |
|------------------|----------------|----------------------------------|------------------|-------------------------|----------|---------|----------------------------|
|------------------|----------------|----------------------------------|------------------|-------------------------|----------|---------|----------------------------|

DR 1 4 D 2023 ->

| | | | | | | | |
|---------|--|--|--|--|-----------|--|--|
| 30/2003 | | | | | 741040033 | | |
| 30/2002 | | | | | 741040034 | | |
| 30/2005 | | | | | 741090051 | | |
| 30/2004 | | | | | 741090052 | | |

DR 5 4 D 2019 -> 2018

| | | | | | | | |
|---------|--|--|--|--|-------------------------|--|--|
| 30/2007 | | | | | 741040013 3430200391 | | |
| 30/2006 | | | | | 741040011 3430200392 | | |
| 30/2009 | | | | | 741090019 3430300269 | | |
| 30/2008 | | | | | 741090027 3430300270 | | |

| Modello Model | Porte Doors | Configurazione Configurations | Foto Pictures | Connettore Connector | Cross OE | Alt. OE | Istruzioni Instructions |
|------------------|----------------|----------------------------------|------------------|-------------------------|----------|---------|----------------------------|
|------------------|----------------|----------------------------------|------------------|-------------------------|----------|---------|----------------------------|

DS 7 CROSSBACK (J4_, JR_, JC_) 4 D 2017 ->

| | | | | | | | |
|---------|--|--|---|--|--|--|--|
| 30/2778 | | | | | | 9810488980* 9819520280* 9830389380* 9830655880* | |
| 30/2777 | | | POWER WINDOW LEFT ALZACRISTALLI ELETTRICO SX | | | 9810488880* 9819520080* 9830389280* 9830655780* | |
| 30/2780 | | | | | | 3646826* 9810488580* 9815403880* 9816733780* | |
| 30/2779 | | | POWER WINDOW LEFT ALZACRISTALLI ELETTRICO SX | | | 3646771* 9810488480* 9815403780* 9816733680* | |

| Modello Model | Porte Doors | Configurazione Configurations | Foto Pictures | Connettore Connector | Cross OE | Alt. OE | Istruzioni Instructions |
|------------------|----------------|----------------------------------|------------------|-------------------------|----------|---------|----------------------------|
|------------------|----------------|----------------------------------|------------------|-------------------------|----------|---------|----------------------------|

EVO 5 4 D 2023 ->

| | | | | | | | |
|---------|--|--|--|--|-------------------------|--|--|
| 30/2007 | | | | | 741040013 3430200391 | | |
| 30/2006 | | | | | | | |
| 30/2009 | | | | | 741090019 3430300269 | | |
| 30/2008 | | | | | | | |

| Modello Model | Porte Doors | Configurazione Configurations | Foto Pictures | Connettore Connector | Cross OE | Alt. OE | Istruzioni Instructions |
|------------------|----------------|----------------------------------|------------------|-------------------------|----------|---------|----------------------------|
|------------------|----------------|----------------------------------|------------------|-------------------------|----------|---------|----------------------------|

124 (124_) 2 D 1966 -> 1975

| | | | | | | | |
|-------|---|---|---|--|-------------------------------|--|---|
| 30/39 |  |  |  | | 4133789 4170312 4636961 | |  |
|-------|---|---|---|--|-------------------------------|--|---|

124 (124_) 4 D 1966 -> 1975

| | | | | | | | |
|-------|---|---|---|--|-------------------------------|--|---|
| 30/39 |  |  |  | | 4133789 4170312 4636961 | |  |
|-------|---|---|---|--|-------------------------------|--|---|

125 (125_) 4 D 1967 -> 1974

| | | | | | | | |
|-------|---|--|--|--|-------------------------------|--|--|
| 30/39 |  |  |  | | 4133789 4170312 4636961 | |  |
|-------|---|--|--|--|-------------------------------|--|--|

126 (126_) 2 D 1972 -> 2000

| | | | | | | | |
|-------|---|---|---|--|--------------------|--|---|
| 30/54 |  |  |  | | 4275685 9330826 | |  |
|-------|---|---|---|--|--------------------|--|---|

127 (127_) 2 D 1971 -> 1996

| | | | | | | | |
|-------|---|---|---|--|--------------------|--|---|
| 30/60 |  |  |  | | 4266790 4449167 | |  |
|-------|---|---|---|--|--------------------|--|---|

127 (127_) 4 D 1971 -> 1996

| | | | | | | | |
|--------|---|---|---|--|---------|--|---|
| 30/154 |  |  |  | | 4277146 | |  |
|--------|---|---|---|--|---------|--|---|

| Modello Model | Porte Doors | Configurazione Configurations | Foto Pictures | Connettore Connector | Cross OE | Alt. OE | Istruzioni Instructions |
|------------------|----------------|----------------------------------|------------------|-------------------------|----------|---------|----------------------------|
|------------------|----------------|----------------------------------|------------------|-------------------------|----------|---------|----------------------------|

127 (127_) 4 D 1971 -> 1996

| | | | | | | | |
|--------|--|--|--|--|---------|--|--|
| 30/155 | | | | | 3918478 | | |
|--------|--|--|--|--|---------|--|--|

128 (128_) 2 D 1969 -> 1984

| | | | | | | | |
|-------|--|--|--|--|---------|--|--|
| 30/62 | | | | | 4244340 | | |
| 30/61 | | | | | 4244339 | | |

128 (128_) 4 D 1969 -> 1984

| | | | | | | | |
|-------|--|--|--|--|---------|--|--|
| 30/62 | | | | | 4244340 | | |
| 30/61 | | | | | 4244339 | | |

500 (111_ , 101_ , 110_) 2D 1957 -> 1976

| | | | | | | | |
|--------|--|--|--|--|---------|--|--|
| 30/28B | | | | | 4116336 | | |
|--------|--|--|--|--|---------|--|--|

500 (312_), 500 C (312_) 2D 2009 ->

| | | | | | | | |
|---------|--|--|--|--|--|--|--|
| 30/3120 | | | | | 51785841 51824040 51876269 51889364 | | |
| 30/3121 | | | | | 51785413 51824038 51876267 51889362 | | |

500L (199_ , 351_ , 352_) 4 D 2012 ->

| | | | | | | | |
|---------|--|--|--|--|--|--|--|
| 30/1538 | | | | | 51892567 51945054 51957503 51980513 51980517 | | |
|---------|--|--|--|--|--|--|--|

| Modello Model | Porte Doors | Configurazione Configurations | Foto Pictures | Connettore Connector | Cross OE | Alt. OE | Istruzioni Instructions |
|------------------|----------------|----------------------------------|------------------|-------------------------|----------|---------|----------------------------|
|------------------|----------------|----------------------------------|------------------|-------------------------|----------|---------|----------------------------|

500L (199_ , 351_ , 352_) 4 D 2012 ->

| | | | | | | | |
|----------|--|--|--|--|--|-----------|--|
| 30/1540 | | | | | 51884233 51974653 52054564 | | |
| 30/2027 | | | | | | 51892568* | |
| 30/2026 | | | | | | 51945055* | |
| | | | | | | 51957504* | |
| | | | | | | 51980514* | |
| 30/1539 | | | | | 51892568 51945055 51957504 51980514 51980519 | | |
| 30/1541 | | | | | 51884234 51974654 52054565 | | |
| 30/2107B | | | | | 51884238 51957506 51980516 | | |
| 30/2106B | | | | | | | |
| | | | | | 51884237 | | |
| | | | | | 51957505 | | |
| | | | | | 51980515 | | |
| 30/235B | | | | | 51884236 | | |
| 30/235 | | | | | | | |
| | | | | | 51884235 | | |
| 30/2155 | | | | | | 51884238* | |
| 30/2154 | | | | | | | |
| | | | | | | 51957506* | |
| | | | | | | 51980516* | |
| | | | | | | 51884237* | |
| | | | | | | 51957505* | |
| | | | | | | 51980515* | |

| Modello Model | Porte Doors | Configurazione Configurations | Foto Pictures | Connettore Connector | Cross OE | Alt. OE | Istruzioni Instructions |
|------------------|----------------|----------------------------------|------------------|-------------------------|----------|---------|----------------------------|
|------------------|----------------|----------------------------------|------------------|-------------------------|----------|---------|----------------------------|

500X (334_) 4 D 2014 ->

| | | | | | | | |
|---------|--|--|--|--|--|--|--|
| 30/1935 | | | | | | 51960724* 51964153* 51973383* 51973391* | |
| 30/1934 | | | | | | 51960552* 51964136* 51969465* 51973422* | |
| 30/2193 | | | | | 51960725 51969596 51969598 52070470 | | |
| 30/2192 | | | | | 51960590 51969586 51969588 52070479 | | |

600 (113_) 4 D 1955 -> 1977

| | | | | | | | |
|-------|--|--|--|--|---------|--|--|
| 30/10 | | | | | 9607542 | | |
|-------|--|--|--|--|---------|--|--|

616 2 D 1965 -> 1978

| | | | | | | | |
|-------|--|--|--|--|-------------------------------|--|--|
| 30/39 | | | | | 4133789 4170312 4636961 | | |
|-------|--|--|--|--|-------------------------------|--|--|

850 (100_) 2 D 1964 -> 1972

| | | | | | | | |
|-------|--|--|--|--|---------|--|--|
| 30/10 | | | | | 9607542 | | |
|-------|--|--|--|--|---------|--|--|

900 T/E (200_) 2 D 1978 -> 1986

| | | | | | | | |
|-------|--|--|--|--|---------|--|--|
| 30/10 | | | | | 9607542 | | |
|-------|--|--|--|--|---------|--|--|

| Modello Model | Porte Doors | Configurazione Configurations | Foto Pictures | Connettore Connector | Cross OE | Alt. OE | Istruzioni Instructions |
|------------------|----------------|----------------------------------|------------------|-------------------------|----------|---------|----------------------------|
|------------------|----------------|----------------------------------|------------------|-------------------------|----------|---------|----------------------------|

ALBEA / SIENA (178_ , 172_) 2 D 1996 -> 2016

| | | | | | | | |
|--------|--|--|--|--|--|--|--|
| 30/838 | | | | | 46446617 46736841 46786204 46847917 | | |
| 30/837 | | | | | 46446616 46736840 46786203 46847916 | | |

ALBEA / SIENA (178_ , 172_) 4 D 1996 -> 2016

| | | | | | | | |
|--------|--|--|--|--|----------------------|--|--|
| 30/834 | | | | | 46446619 46736843 | | |
| 30/833 | | | | | 46446618 46736842 | | |

ALBEA / SIENA (178_ , 172_) 2 D 1996 -> 2016

| | | | | | | | |
|--------|--|--|--|--|----------|--|--|
| 30/201 | | | | | 46446908 | | |
|--------|--|--|--|--|----------|--|--|

| | | | | | | | |
|--------|--|--|--|--|--|--|--|
| 30/838 | | | | | 46446617 46736841 46786204 46847917 | | |
| 30/837 | | | | | 46446616 46736840 46786203 46847916 | | |

ALBEA / SIENA (178_ , 172_) 4 D 1996 -> 2016

| | | | | | | | |
|--------|--|--|--|--|----------------------|--|--|
| 30/834 | | | | | 46446619 46736843 | | |
| 30/833 | | | | | 46446618 46736842 | | |

BRAVA (182_) 4 D 1995 -> 2003

| | | | | | | | |
|--------|--|--|--|--|---|--|--|
| 30/774 | | | | | 7770259 46436526 46528635 46528731 | | |
| 30/773 | | | | | 7770258 46436525 46528634 46528730 | | |

| Modello Model | Porte Doors | Configurazione Configurations | Foto Pictures | Connettore Connector | Cross OE | Alt. OE | Istruzioni Instructions |
|------------------|----------------|----------------------------------|------------------|-------------------------|----------|---------|----------------------------|
|------------------|----------------|----------------------------------|------------------|-------------------------|----------|---------|----------------------------|

BRAVA (182_) 4 D 1995 -> 2003

| | | | | | | | |
|---------|--|--|--|--|---|--|--|
| 30/195B | | | | | 7789159 46440785 46528639 46528729 | | |
| 30/195 | | | | | 7789158 46440784 46528638 46528728 | | |

BRAVO I (182_) 2 D 1995 -> 2001

| | | | | | | | |
|---------|--|--|--|--|---|--|--|
| 30/774 | | | | | 7770259 46436526 46528635 46528731 | | |
| 30/773 | | | | | 7770258 46436525 46528634 46528730 | | |
| 30/194B | | | | | 46407884 | | |
| 30/194 | | | | | 46407883 | | |

BRAVO II (198_) 4 D 2006 -> 2016

| | | | | | | | |
|---------|--|--|--|--|--|--|--|
| 30/1402 | | | | | 51827394* 51829141* 51830254* 51836460* | | |
| 30/1401 | | | | | 51827393* 51829140* 51830253* 51836459* | | |
| 30/1615 | | | | | 51779573* 51827396* 51832158* 51909798* | | |
| 30/1614 | | | | | 51779575* 51827395* 51832157* 51909797* | | |

CINQUECENTO (170_) 2 D 1991 -> 1999

| | | | | | | | |
|--------|--|--|--|--|---------------------|--|--|
| 30/739 | | | | | 7688621 46442099 | | |
| 30/738 | | | | | 7688620 46442098 | | |

| Modello Model | Porte Doors | Configurazione Configurations | Foto Pictures | Connettore Connector | Cross OE | Alt. OE | Istruzioni Instructions |
|------------------|----------------|----------------------------------|------------------|-------------------------|----------|---------|----------------------------|
|------------------|----------------|----------------------------------|------------------|-------------------------|----------|---------|----------------------------|

CROMA (154_) 4 D 1985 -> 1996

| | | | | | | | |
|--------|--|--|--|--|--|--|--|
| 30/677 | | | | | 82415680 82438388 82448843 82457197 | | |
| 30/676 | | | | | 82415679 82438387 82448842 82457194 | | |

CROMA (194_) 4 D 2005 -> 2011

| | | | | | | | |
|---------|--|--|--|--|----------|--|--|
| 30/3052 | | | | | 71740199 | | |
| 30/3051 | | | | | 71740198 | | |
| 30/1613 | | | | | 71740203 | | |
| 30/1612 | | | | | 71740202 | | |

DOBLO (223_) 2 D 2000 ->

| | | | | | | | |
|---------|--|--|--|--|--|--|--|
| 30/882 | | | | | 46751439 46810619 46810677 46823970 | | |
| 30/881 | | | | | 46751438 46810618 46810676 46823969 | | |
| 30/1287 | | | | | 51793189 51830870 | | |
| 30/1286 | | | | | 51793188 51830869 | | |
| 30/209B | | | | | 46747427 46810621 51711751 | | |
| 30/209 | | | | | 46747426 46810620 51711750 | | |
| 30/232B | | | | | 51793187 | | |
| 30/232 | | | | | 51793186 | | |

| Modello Model | Porte Doors | Configurazione Configurations | Foto Pictures | Connettore Connector | Cross OE | Alt. OE | Istruzioni Instructions |
|------------------|----------------|----------------------------------|------------------|-------------------------|----------|---------|----------------------------|
|------------------|----------------|----------------------------------|------------------|-------------------------|----------|---------|----------------------------|

DOBLO (263_) / PRATICO 4 D 2010 -> 2023

| | | | | | | | |
|---------|--|--|--|--|--|--|--|
| 30/3133 | | | | | 140358 51810879 52063785 52220483 95509364 | | |
| 30/7071 | | | | | | 51810880* 52063786* 51810879 | |
| 30/7072 | | | | | | 51810879* 52063785* 52220483* | |
| 30/3132 | | | | | 140359 51810880 52063786 95509365 | | |
| 30/1891 | | | | | | 51810880* 52063786* | |
| 30/1890 | | | | | | 51810879* 52063785* | |
| 30/3135 | | | | | 140360 51814130 95509773 51906919 | | |
| 30/3134 | | | | | 140361 51814131 95509774 51906920 | | |
| 30/1917 | | | | | | 140361* 51814131* 51906920* 52220485* | |
| 30/1916 | | | | | | 140360* 51810879* 51814130* 51906919* | |

| Modello Model | Porte Doors | Configurazione Configurations | Foto Pictures | Connettore Connector | Cross OE | Alt. OE | Istruzioni Instructions |
|------------------|----------------|----------------------------------|------------------|-------------------------|----------|---------|----------------------------|
|------------------|----------------|----------------------------------|------------------|-------------------------|----------|---------|----------------------------|

DUCATO (280_290_) 2 D 1982 -> 1994

| | | | | | | | |
|---------|--|--|--|--|---------|--|--|
| 30/145B | | | | | 4445609 | | |
| 30/145 | | | | | 4445608 | | |
| 30/178B | | | | | 7672893 | | |
| 30/178 | | | | | 7672892 | | |

DUCATO (230_) 2 D 1994 -> 2005

| | | | | | | | |
|---------|--|--|--|--|--|--|--|
| 30/745 | | | | | 922189 1313852080 1322758080 1341396080 | | |
| 30/744 | | | | | 1313851080 1322757080 1341395080 9222F0 | | |
| 30/181B | | | | | 1311036080 1320338080 9221F3 | | |
| 30/181 | | | | | 1311035080 1320337080 9222F1 | | |

DUCATO (244_) 2 D 2001 ->

| | | | | | | | |
|---------|--|--|--|--|--|--|--|
| 30/745 | | | | | 922189 1313852080 1322758080 1341396080 | | |
| 30/744 | | | | | 1313851080 1322757080 1341395080 9222F0 | | |
| 30/181B | | | | | 1311036080 1320338080 9221F3 | | |
| 30/181 | | | | | 1311035080 1320337080 9222F1 | | |

| Modello Model | Porte Doors | Configurazione Configurations | Foto Pictures | Connettore Connector | Cross OE | Alt. OE | Istruzioni Instructions |
|------------------|----------------|----------------------------------|------------------|-------------------------|----------|---------|----------------------------|
|------------------|----------------|----------------------------------|------------------|-------------------------|----------|---------|----------------------------|

DUCATO (250_) 2 D 2006 ->

| | | | | | | | |
|----------|---------|--|--|--|--|--|--|
| 30/7043 | | | | | | 1394449080* 68159239AB* 68267290AA* 68267290AB* | |
| 30/7044 | | | | | | 166231580* 68159238AB* 68267289AA* 68267289AB* | |
| 30/1551B | | | | | | 1368922080* 1607395480* 1607706980* 9221X7* | |
| 30/1550B | | | | | | 1368921080* 1607395380* 68159238AB* 68267289AA* | |
| 30/986 | LHD | | | | 53183596 1340453080 1368043080 1368918080 | | |
| 30/985 | RHD | | | | 1606231580 1607707180 9222X6 68159238AB | | |
| 30/1229 | | | | | | 1340453080* 1366564080* 1368043080* 1368918080* | |
| 30/1228 | | | | | | 1340398080* 1358175080* 1366562080* 1368042080* | |

DUNA (146_) 4 D 1987 -> 1991

| | | | | | | | |
|---------|--|--|--|--|---|--|--|
| 30/872 | | | | | 5956511 7524176 7525368 7688557 | | |
| 30/871 | | | | | 5956510 7524175 7525367 7688556 | | |
| 30/197B | | | | | 7516768 7591108 7603362 50003667 | | |
| 30/197 | | | | | 7516767 7591107 7603361 50003666 | | |

DUNA (146_) WEEKEND 4 D 1987 -> 2001

| | | | | | | | |
|--------|--|--|--|--|--|--|--|
| 30/872 | | | | | 5956511 7524176 7525368 7688557 | | |
| 30/871 | | | | | 5956510 7524175 7525367 7688556 | | |

| Modello Model | Porte Doors | Configurazione Configurations | Foto Pictures | Connettore Connector | Cross OE | Alt. OE | Istruzioni Instructions |
|------------------|----------------|----------------------------------|------------------|-------------------------|----------|---------|----------------------------|
|------------------|----------------|----------------------------------|------------------|-------------------------|----------|---------|----------------------------|

DUNA (146_) WEEKEND 4 D 1987 -> 2001

| | | | | | | | |
|---------|--|--|--|--|---|--|--|
| 30/197B | | | | | 7516768 7591108 7603362 50003667 | | |
| 30/197 | | | | | 7516767 7591107 7603361 50003666 | | |

FIORINO (147_) 2 D 1980 -> 1993

| | | | | | | | |
|-------|--|--|--|--|--------------------|--|--|
| 30/60 | | | | | 4266790 4449167 | | |
|-------|--|--|--|--|--------------------|--|--|

FIORINO (127_) 2 D 1977 -> 1987

| | | | | | | | |
|-------|--|--|--|--|--------------------|--|--|
| 30/60 | | | | | 4266790 4449167 | | |
|-------|--|--|--|--|--------------------|--|--|

FIORINO (146_) 2 D 1988 ->

| | | | | | | | |
|---------|--|--|--|--|---|--|--|
| 30/872 | | | | | 5956511 7524176 7525368 7688557 | | |
| 30/871 | | | | | 5956510 7524175 7525367 7688556 | | |
| 30/197B | | | | | 7516768 7591108 7603362 50003667 | | |
| 30/197 | | | | | 7516767 7591107 7603361 50003666 | | |

FIORINO (225_) 4 D 2007 ->

| | | | | | | | |
|---------|--|--|--|--|--|--|--|
| 30/278B | | | | | 52148373 1354725080 1368330080 1671331480 | | |
| 30/278 | | | | | 52148371 1354699090 1368828080 1671331580 | | |

| Modello Model | Porte Doors | Configurazione Configurations | Foto Pictures | Connettore Connector | Cross OE | Alt. OE | Istruzioni Instructions |
|------------------|----------------|----------------------------------|------------------|-------------------------|----------|---------|----------------------------|
|------------------|----------------|----------------------------------|------------------|-------------------------|----------|---------|----------------------------|

FIORINO (225_) 4 D 2007 ->

| | | | | | | | |
|---------|--|--|--|--|--|--|--|
| 30/1227 | | | | | | 1354726080* 1368331080* 1666090580* 52134009* | |
| 30/1226 | | | | | | 1354700080* 1368329080* 1656267580* 52134008* | |

FREEMONT (345_) 4 D 2011 ->

| | | | | | | | |
|---------|--|--|--|--|-------------|--|--|
| 30/1789 | | | | | K68043735AA | | |
| 30/1788 | | | | | K68043734AA | | |
| 30/1791 | | | | | K68043739AA | | |
| 30/1790 | | | | | K68043738AA | | |

GRANDE PUNTO (199_) 2 D 2005 -> 2010

| | | | | | | | |
|---------|--|--|--|--|--|--|--|
| 30/978 | | | | | | 51723316 51765575 51786729 51895385 | |
| 30/977 | | | | | | 51723315 51765574 51786728 51895384 | |
| 30/976 | | | | | | 51723318 51899291 52055487 | |
| 30/975 | | | | | | 51723317 51899290 52055486 | |
| 30/1225 | | | | | | 51723318* 51723381* 51899291* | |
| 30/1224 | | | | | | 51723317* 51899290* 52055486* | |

| Modello Model | Porte Doors | Configurazione Configurations | Foto Pictures | Connettore Connector | Cross OE | Alt. OE | Istruzioni Instructions |
|------------------|----------------|----------------------------------|------------------|-------------------------|----------|---------|----------------------------|
|------------------|----------------|----------------------------------|------------------|-------------------------|----------|---------|----------------------------|

GRANDE PUNTO (199_) 4 D 2005 -> 2010

| | | | | | | | |
|---------|--|--|--|--|--|-------------------------------------|--|
| 30/978 | | | | | 51723316 51765575 51786729 51895385 | | |
| 30/977 | | | | | 51723315 51765574 51786728 51895384 | | |
| 30/976 | | | | | 51723318 51899291 52055487 | | |
| 30/975 | | | | | 51723317 51899290 52055486 | | |
| 30/1225 | | | | | | 51723318* 51723381* 51899291* | |
| 30/1224 | | | | | | 51723317* 51899290* 52055486* | |
| 30/7078 | | | | | | 51723328* 51899293* 52055489* | |
| 30/7077 | | | | | | 51723327* 51899292* 52055488* | |
| 30/980 | | | | | 51723328 51899293 52055489 | | |
| 30/979 | | | | | 51723327 51899292 52055488 | | |
| 30/220B | | | | | 51723324 | | |
| 30/220 | | | | | 51723323 | | |
| 30/1617 | | | | | | 51723328* 51899293* 52055489* | |
| 30/1616 | | | | | | 51723327* 51899292* 52055488* | |

| Modello Model | Porte Doors | Configurazione Configurations | Foto Pictures | Connettore Connector | Cross OE | Alt. OE | Istruzioni Instructions |
|------------------|----------------|----------------------------------|------------------|-------------------------|----------|---------|----------------------------|
|------------------|----------------|----------------------------------|------------------|-------------------------|----------|---------|----------------------------|

IDEA (350_) 4 P 2003 ->






| | | | | | | | |
|---------|---|---|---|--|----------------------|--|---|
| 30/876 |  |  |  | | 46841277 71734843 | |  |
| 30/875 |  | | | | 46841278 71734844 | | |
| 30/1113 |  |  |  | | 71734870 | |  |
| 30/1112 |  | | <p>POWER WINDOW LEFT ALZACRISTALLI ELETTRICO SX</p> | | 71734869 | | |
| 30/2153 |  |  |  | | 46841277 71734843 | |  |
| 30/2152 |  | | <p>MOTOR LEFT MOTORE SX</p> | | 46841278 71734844 | | |
| 30/1301 |  |  |  | | 71734849 | |  |
| 30/1300 |  | | | | 71734848 | | |

MAREA (185_) 4 D 1996 -> 2007


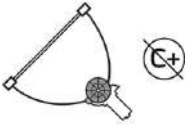





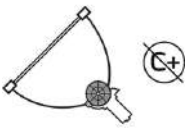




| | | | | | | | |
|---------|---|---|--|--|---|--|---|
| 30/774 |  |  |  | | 7770259 46436526 46528635 46528731 | |  |
| 30/773 |  | | | | 7770258 46436525 46528634 46528730 | | |
| 30/195B |  |  |  | | 7789159 46440785 46528639 46528729 | |  |
| 30/195 |  | | | | 7789158 46440784 46528638 46528728 | | |
| 30/7073 |  |  |  | | 46436528 | |  |
| 30/7074 |  | | | | 46436527 | | |

| Modello Model | Porte Doors | Configurazione Configurations | Foto Pictures | Connettore Connector | Cross OE | Alt. OE | Istruzioni Instructions |
|------------------|----------------|----------------------------------|------------------|-------------------------|----------|---------|----------------------------|
|------------------|----------------|----------------------------------|------------------|-------------------------|----------|---------|----------------------------|

MAREA (185_) WEEKEND 4 D 1996 -> 2007

| | | | | | | | |
|---------|--|---|--|--|---|--|--|
| 30/774 |  |  |  |  | 7770259 46436526 46528635 46528731 | |  |
| 30/773 |  | | | | 7770258 46436525 46528634 46528730 | | |
| 30/195B |  |  |  | | 7789159 46440785 46528639 46528729 | |  |
| 30/195 |  | | | | 7789158 46440784 46528638 46528728 | | |
| 30/7073 |  |  |  |  | 46436528 | |  |
| 30/7074 |  | | | | 46436527 | | |

MULTIPLA (186_) 4 D 1999 -> 2010






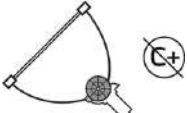




| | | | | | | | |
|--------|---|---|---|--|----------|--|---|
| 30/832 |  |  |  |  | 46510670 | |  |
| 30/831 |  | | | | 46510629 | | |
| 30/848 |  |  |  |  | 46510763 | |  |
| 30/847 |  | | | | 46513600 | | |

PALIO (178_, 171_, 371_) 2 P 1996 ->






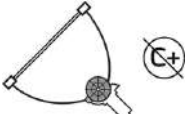




| | | | | | | | |
|--------|---|---|---|--|--|--|---|
| 30/838 |  |  |  |  | 46446617 46736841 46786204 46847917 | |  |
| 30/837 |  | | | | 46446616 46736840 46786203 46847916 | | |

| Modello Model | Porte Doors | Configurazione Configurations | Foto Pictures | Connettore Connector | Cross OE | Alt. OE | Istruzioni Instructions |
|------------------|----------------|----------------------------------|------------------|-------------------------|----------|---------|----------------------------|
|------------------|----------------|----------------------------------|------------------|-------------------------|----------|---------|----------------------------|

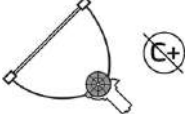





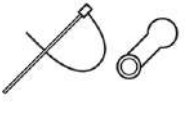

PALIO (178_, 171_, 371_) 4 D 1996 ->

| | | | | | | | |
|--------|---|---|---|--|----------------------|--|---|
| 30/201 |  |  |  | | 46446908 | |  |
| 30/834 |  |  |  |  | 46446619 46736843 | |  |
| 30/833 |  | | | | 46446618 46736842 | | |

PALIO WEEKEND (178_, 173_, 373_) 4 D 1996 ->

| | | | | | | | |
|--------|---|---|---|--|----------------------|--|---|
| 30/201 |  |  |  | | 46446908 | |  |
| 30/834 |  |  |  |  | 46446619 46736843 | |  |
| 30/833 |  | | | | 46446618 46736842 | | |

PANDA (141_) 2 D 1980 -> 2004

| | | | | | | | |
|---------|---|---|---|--|--------------------|--|---|
| 30/2954 |  |  |  |  | | |  |
| 30/2955 |  | | | | | | |
| 30/737 |  |  |  |  | 7774247 | |  |
| 30/736 |  | | | | 7774246 | | |
| 30/168B |  |  |  | | 7577412 7611665 | |  |
| 30/168 |  | | | | 7577411 7611664 | | |

| Modello Model | Porte Doors | Configurazione Configurations | Foto Pictures | Connettore Connector | Cross OE | Alt. OE | Istruzioni Instructions |
|------------------|----------------|----------------------------------|------------------|-------------------------|----------|---------|----------------------------|
|------------------|----------------|----------------------------------|------------------|-------------------------|----------|---------|----------------------------|

PANDA (169_) 4 D 2003 ->

| | | | | | | | |
|---------|--|--|--|--|----------------------------------|--|--|
| 30/942 | | | | | 46803652 51801612 51846385 | | |
| 30/941 | | | | | 46803651 51801611 51846384 | | |
| 30/216B | | | | | 46803650 | | |
| 30/216 | | | | | 46803649 | | |
| 30/229B | | | | | 46803654 | | |
| 30/229 | | | | | 46803653 | | |

PANDA (312_, 319_) 4 D 2012 ->

| | | | | | | | |
|---------|--|--|--|--|--|--|--|
| 30/1480 | | | | | 51843301 51983617 52060644 52076550 | | |
| 30/1479 | | | | | 51842950 51983616 52060643 52076549 | | |
| 30/1484 | | | | | | 51843301* 51983617* 52060644* 52076550* | |
| 30/1483 | | | | | | 51842950* 51983616* 52060643* 52076549* | |
| 30/234B | | | | | 51843559 51983619 | | |
| 30/234 | | | | | 51843186 51983618 | | |

PUNTO (176_) 2 D 1993 -> 1999

| | | | | | | | |
|--------|--|--|--|--|---------------------------------|--|--|
| 30/794 | | | | | 7732488 46459546 46736435 | | |
| 30/793 | | | | | 7732487 46459545 46736434 | | |

| Modello Model | Porte Doors | Configurazione Configurations | Foto Pictures | Connettore Connector | Cross OE | Alt. OE | Istruzioni Instructions |
|------------------|----------------|----------------------------------|------------------|-------------------------|----------|---------|----------------------------|
|------------------|----------------|----------------------------------|------------------|-------------------------|----------|---------|----------------------------|

PUNTO (176_) 2 D 1993 -> 1999

| | | | | | | | |
|---------|--|--|--|--|---------|--|--|
| 30/182B | | | | | 7737014 | | |
| 30/182 | | | | | 7736984 | | |

PUNTO (176_) 4 D 1993 -> 1999

| | | | | | | | |
|---------|--|--|--|--|---------------------------------|--|--|
| 30/796 | | | | | 7747051 46459548 46736433 | | |
| 30/795 | | | | | 7747050 46459547 46736432 | | |
| 30/183B | | | | | 7737530 | | |
| 30/183 | | | | | 7737311 | | |
| 30/184B | | | | | 7737911 | | |
| 30/184 | | | | | 7737880 | | |

PUNTO (176_) CABRIOLET 2 D 1994 -> 2000


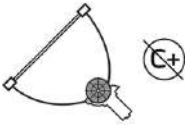






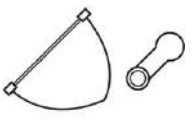



| | | | | | | | |
|--------|--|--|--|--|--|--|--|
| 30/754 | | | | | 46720207 46730691 46735843 46735971 | | |
| 30/753 | | | | | 46720206 46730690 46735842 46735970 | | |

PUNTO (188_) 2 D 1999 -> 2012


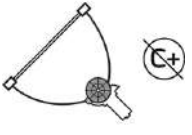






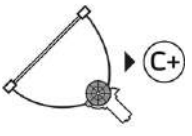






| | | | | | | | |
|--------|--|--|--|--|----------------------|--|--|
| 30/842 | | | | | 46536312 51764550 | | |
| 30/841 | | | | | 46536311 51764549 | | |

| Modello Model | Porte Doors | Configurazione Configurations | Foto Pictures | Connettore Connector | Cross OE | Alt. OE | Istruzioni Instructions |
|------------------|----------------|----------------------------------|------------------|-------------------------|----------|---------|----------------------------|
|------------------|----------------|----------------------------------|------------------|-------------------------|----------|---------|----------------------------|


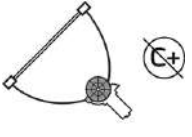






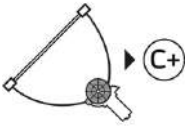




PUNTO (188_) 4 D 1999 -> 2012

| | | | | | | | |
|---------|---|---|---|--|----------------------|--|---|
| 30/842 |  |  |  |  | 46536312 51764550 | |  |
| 30/841 |  | |  | | 46536311 51764549 | | |
| 30/204B |  |  |  | | 46536308 | |  |
| 30/204 |  | | | | 46536307 | | |

PUNTO (199_) 2 D 2012 ->

| | | | | | | | |
|---------|---|---|---|--|--|-------------------------------------|---|
| 30/978 |  |  |  |  | 51723316 51765575 51786729 51895385 | |  |
| 30/977 |  | |  | | 51723315 51765574 51786728 51895384 | | |
| 30/976 |  |  |  |  | 51723318 51899291 52055487 | |  |
| 30/975 |  | | | | 51723317 51899290 52055486 | | |
| 30/1225 |  |  |  | | | 51723318* 51723381* 51899291* |  |
| 30/1224 |  | | | | | 51723317* 51899290* 52055486* | |

PUNTO (199_) 4 D 2012 ->

| | | | | | | | |
|--------|---|---|---|--|--|--|---|
| 30/978 |  |  |  |  | 51723316 51765575 51786729 51895385 | |  |
| 30/977 |  | |  | | 51723315 51765574 51786728 51895384 | | |
| 30/976 |  |  |  |  | 51723318 51899291 52055487 | |  |
| 30/975 |  | | | | 51723317 51899290 52055486 | | |

| Modello Model | Porte Doors | Configurazione Configurations | Foto Pictures | Connettore Connector | Cross OE | Alt. OE | Istruzioni Instructions |
|------------------|----------------|----------------------------------|------------------|-------------------------|----------|---------|----------------------------|
|------------------|----------------|----------------------------------|------------------|-------------------------|----------|---------|----------------------------|

PUNTO (199_) 4 D 2012 ->

| | | | | | | | |
|---------|--|--|--|--|----------|-------------------------------------|--|
| 30/1225 | | | | | | 51723318* 51723381* 51899291* | |
| 30/1224 | | | | | | 51723317* 51899290* 52055486* | |
| 30/7078 | | | | | | 51723328* 51899293* 52055489* | |
| 30/7077 | | | | | | 51723327* 51899292* 52055488* | |
| 30/980 | | | | | | 51723328 51899293 52055489 | |
| 30/979 | | | | | | 51723327 51899292 52055488 | |
| 30/220B | | | | | 51723324 | | |
| 30/220 | | | | | 51723323 | | |
| 30/1617 | | | | | | 51723328* 51899293* 52055489* | |
| 30/1616 | | | | | | 51723327* 51899292* 52055488* | |

PUNTO EVO (199_) 2 D 2008 ->

| | | | | | | | |
|--------|--|--|--|--|--|--|--|
| 30/978 | | | | | | 51723316 51765575 51786729 51895385 | |
| 30/977 | | | | | | 51723315 51765574 51786728 51895384 | |
| 30/976 | | | | | | 51723318 51899291 52055487 | |
| 30/975 | | | | | | 51723317 51899290 52055486 | |

| Modello Model | Porte Doors | Configurazione Configurations | Foto Pictures | Connettore Connector | Cross OE | Alt. OE | Istruzioni Instructions |
|------------------|----------------|----------------------------------|------------------|-------------------------|----------|---------|----------------------------|
|------------------|----------------|----------------------------------|------------------|-------------------------|----------|---------|----------------------------|

PUNTO EVO (199_) 2 D 2008 ->

| | | | | | | | |
|---------|--|--|--|--|--|-------------------------------------|--|
| 30/1225 | | | | | | 51723318* 51723381* 51899291* | |
| 30/1224 | | | | | | 51723317* 51899290* 52055486* | |

PUNTO EVO (199_) 4 D 2008 ->

| | | | | | | | |
|---------|--|--|--|--|--|-------------------------------------|--|
| 30/978 | | | | | 51723316 51765575 51786729 51895385 | | |
| 30/977 | | | | | 51723315 51765574 51786728 51895384 | | |
| 30/976 | | | | | 51723318 51899291 52055487 | | |
| 30/975 | | | | | 51723317 51899290 52055486 | | |
| 30/1225 | | | | | | 51723318* 51723381* 51899291* | |
| 30/1224 | | | | | | 51723317* 51899290* 52055486* | |
| 30/7078 | | | | | 51723328* 51899293* 52055489* | | |
| 30/7077 | | | | | 51723327* 51899292* 52055488* | | |
| 30/980 | | | | | 51723328 51899293 52055489 | | |
| 30/979 | | | | | 51723327 51899292 52055488 | | |
| 30/220B | | | | | 51723324 | | |
| 30/220 | | | | | 51723323 | | |

| Modello Model | Porte Doors | Configurazione Configurations | Foto Pictures | Connettore Connector | Cross OE | Alt. OE | Istruzioni Instructions |
|------------------|----------------|----------------------------------|------------------|-------------------------|----------|---------|----------------------------|
|------------------|----------------|----------------------------------|------------------|-------------------------|----------|---------|----------------------------|

PUNTO EVO (199_) 4 D 2008 ->

| | | | | | | | |
|---------|--|--|--|--|--|-------------------------------------|--|
| 30/1617 | | | | | | 51723328* 51899293* 52055488* | |
| 30/1616 | | | | | | 51723327* 51899292* 52055488* | |

QUBO (225_) 4 D 2008 ->

| | | | | | | | |
|---------|--|--|--|--|--|--|--|
| 30/278B | | | | | 52148373 1354725080 1368330080 1671331480 | | |
| 30/278 | | | | | 52148371 1354699090 1368828080 1671331580 | | |
| 30/1227 | | | | | | 1354726080* 1368331080* 1666090580* 52134009* | |
| 30/1226 | | | | | | 1354700080* 1368329080* 1656267580* 52134008* | |

SCUDO (220_) 2 D 1996 -> 2006

| | | | | | | | |
|---------|--|--|--|--|--|--|--|
| 30/2808 | | | | | | 1488560080 9221F7 9221H5 | |
| 30/2807 | | | | | | 1488559080 9222F5 9222H3 | |
| 30/856 | | | | | | 922334 1462445080 1484120080 1488560080 | |
| 30/855 | | | | | | 922434 1462444080 1484119080 1488559080 | |
| 30/275B | | | | | | 922190 1470070080 1488307080 9221N8 | |
| 30/275 | | | | | | 922289 1470069080 1488306080 9222N7 | |

| Modello Model | Porte Doors | Configurazione Configurations | Foto Pictures | Connettore Connector | Cross OE | Alt. OE | Istruzioni Instructions |
|------------------|----------------|----------------------------------|------------------|-------------------------|----------|---------|----------------------------|
|------------------|----------------|----------------------------------|------------------|-------------------------|----------|---------|----------------------------|

SCUDO (270_, 272_) 2 D 2007 -> 2016

| | | | | | | | |
|----------|--|--|--|--|--|--|--|
| 30/1771 | | | | | 1440161480 1499438080 9222HF 9222 | | |
| 30/1770 | | | | | 1440161480 1499438080 9222HF 9222Z4 | | |
| 30/1525C | | | | | 1440161380 1499439080 9221Z6 9221HG | | |
| 30/1524C | | | | | 1440161580 1498743080 9222HE 9222Z5 | | |
| 30/2410 | | | | | | 1499439080* 9221HE* 9221Z6* | |
| 30/2411 | | | | | 1498743080* 9222HE* 9222Z5* | | |
| 30/1525 | | | | | | 1440161380* 1499439080* 9221HG* 9221Z6* | |
| 30/1524 | | | | | | 1440161580* 1499438080* 9222HF* 9222Z4* | |

SCUDO 2 D 2022 ->


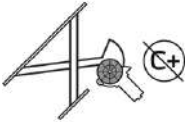




| | | | | | | | |
|---------|--|--|--|--|--|--|--|
| 30/3106 | | | | | | 9806619480* 9840159480* 9829889780* 9808388580* | |
| 30/3107 | | | | | | 9806618780* 9840159380* 9829889680* 9808388480* | |

SEDICI (189_) 4 D 2006 -> 2014


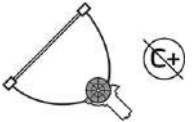









| | | | | | | | |
|---------|--|--|--|--|---|--|--|
| 30/1470 | | | | | 4700399 4708799 4711475 71743448 | | |
| 30/1469 | | | | | 4700401 4708798 4711476 71743447 | | |
| 30/2169 | | | | | 140332 4708803 71750981 93193629 | | |
| 30/2168 | | | | | 140333 4708802 71750980 93193628 | | |

| Modello Model | Porte Doors | Configurazione Configurations | Foto Pictures | Connettore Connector | Cross OE | Alt. OE | Istruzioni Instructions |
|------------------|----------------|----------------------------------|------------------|-------------------------|----------|---------|----------------------------|
|------------------|----------------|----------------------------------|------------------|-------------------------|----------|---------|----------------------------|







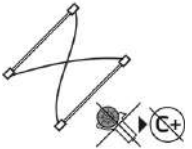




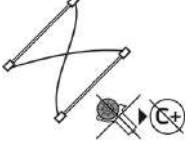



SEDICI (189_) 4 D 2006 -> 2014

| | | | | | | | |
|---------|---|---|--|--|--|--|---|
| 30/1472 |  |  |  POWER WINDOW LEFT ALZACRISTALLI ELETTRICO SX |  | 71768018 71768283 8350279J10000 8350279I11000 | |  |
| 30/1471 |  | | | | 71768017 71768282 8350179J10000 8350179I11000 | | |

SEICENTO / 600 (187_) 2 D 1997 -> 2010

| | | | | | | | |
|---------|---|--|--|--|----------|--|--|
| 30/818 |  |  |  POWER WINDOW LEFT ALZACRISTALLI ELETTRICO SX |  | 46512304 | |  |
| 30/817 |  | | | | 46512241 | | |
| 30/207B |  |  |  | | 46512303 | |  |
| 30/207 |  | | | | 46512240 | | |

STILO (192_) 2 D 2001 -> 2010

| | | | | | | | |
|---------|---|---|--|--|----------|--|---|
| 30/874 |  |  |  |  | 46831640 | |  |
| 30/873 |  | | | | 46831641 | | |
| 30/868 |  |  |  POWER WINDOW LEFT ALZACRISTALLI ELETTRICO SX | | 46831653 | |  |
| 30/867 |  | | | | 46831652 | | |
| 30/3096 |  |  |  OE POWER WINDOW LEFT ALZACRISTALLI ELETTRICO SX | | 46831653 | |  |
| 30/3097 |  | | | | 46831652 | | |

| Modello Model | Porte Doors | Configurazione Configurations | Foto Pictures | Connettore Connector | Cross OE | Alt. OE | Istruzioni Instructions |
|------------------|----------------|----------------------------------|------------------|-------------------------|----------|---------|----------------------------|
|------------------|----------------|----------------------------------|------------------|-------------------------|----------|---------|----------------------------|

STILO (192_) 4 D 2001 -> 2010

| | | | | | | | |
|---------|--|--|--|--|----------------------|--|--|
| 30/876 | | | | | 46841277 71734843 | | |
| 30/875 | | | | | 46841278 71734844 | | |
| 30/870 | | | | | 46831655 | | |
| 30/869 | | | | | 46831654 | | |
| 30/3098 | | | | | 46831655 | | |
| 30/3099 | | | | | 46831654 | | |
| 30/1404 | | | | | 46831657 | | |
| 30/1403 | | | | | 46831656 | | |
| 30/3118 | | | | | 46831657 | | |
| 30/3119 | | | | | 46831656 | | |

STILO (192_) MULTI WAGON 4 D 2003 -> 2008

| | | | | | | | |
|--------|--|--|--|--|----------------------|--|--|
| 30/874 | | | | | 46831640 | | |
| 30/873 | | | | | 46831641 | | |
| 30/876 | | | | | 46841277 71734843 | | |
| 30/875 | | | | | 46841278 71734844 | | |

| Modello Model | Porte Doors | Configurazione Configurations | Foto Pictures | Connettore Connector | Cross OE | Alt. OE | Istruzioni Instructions |
|------------------|----------------|----------------------------------|------------------|-------------------------|----------|---------|----------------------------|
|------------------|----------------|----------------------------------|------------------|-------------------------|----------|---------|----------------------------|

STILO (192_) MULTI WAGON 4 D 2003 -> 2008

| | | | | | | | |
|---------|--|--|--|--|----------|--|--|
| 30/870 | | | | | 46831655 | | |
| 30/869 | | | | | 46831654 | | |
| 30/3098 | | | | | 46831655 | | |
| 30/3099 | | | | | 46831654 | | |
| 30/1404 | | | | | 46831657 | | |
| 30/1403 | | | | | 46831656 | | |
| 30/3118 | | | | | 46831657 | | |
| 30/3119 | | | | | 46831656 | | |

STRADA PICK-UP (178_, 278_) 2 D 1998 ->

| | | | | | | | |
|--------|--|--|--|--|--|--|--|
| 30/201 | | | | | 46446908 | | |
| 30/838 | | | | | 46446617 46736841 46786204 46847917 | | |
| 30/837 | | | | | 46446616 46736840 46786203 46847916 | | |
| | | | | | | | |

TALENTO (296_) 2 D 2016 ->

| | | | | | | | |
|---------|--|--|--|--|--|--|--|
| 30/2157 | | | | | 6000617948* 807210974R* 807216280R | | |
| 30/2156 | | | | | 6000617946* 807207538R* 93867657* | | |

| Modello Model | Porte Doors | Configurazione Configurations | Foto Pictures | Connettore Connector | Cross OE | Alt. OE | Istruzioni Instructions |
|------------------|----------------|----------------------------------|------------------|-------------------------|----------|---------|----------------------------|
|------------------|----------------|----------------------------------|------------------|-------------------------|----------|---------|----------------------------|

TEMPRA (159_) 4 D 1990 -> 1998

| | | | | | | | |
|---------|--|--|--|--|--|--|--|
| 30/762 | | | | | 7595322 7695160 60505919 60609673 | | |
| 30/761 | | | | | 7595321 7695159 60505918 60609672 | | |
| 30/171B | | | | | 7603207 | | |
| 30/171 | | | | | 7603206 | | |

TEMPRA S.W. (159_) 4 D 1990 -> 1997

| | | | | | | | |
|---------|--|--|--|--|--|--|--|
| 30/762 | | | | | 7595322 7695160 60505919 60609673 | | |
| 30/761 | | | | | 7595321 7695159 60505918 60609672 | | |
| 30/171B | | | | | 7603207 | | |
| 30/171 | | | | | 7603206 | | |

TIPO (160_) 2 D 1987 -> 1997

| | | | | | | | |
|--------|--|--|--|--|------------------------------------|--|--|
| 30/735 | | | | | 7525675 7691862 7763724 4 | | |
| 30/734 | | | | | 7691861 7763723 46405079 | | |

TIPO (160_) 4 D 1987 -> 1997

| | | | | | | | |
|--------|--|--|--|--|--|--|--|
| 30/762 | | | | | 7595322 7695160 60505919 60609673 | | |
| 30/761 | | | | | 7595321 7695159 60505918 60609672 | | |

| Modello Model | Porte Doors | Configurazione Configurations | Foto Pictures | Connettore Connector | Cross OE | Alt. OE | Istruzioni Instructions |
|------------------|----------------|----------------------------------|------------------|-------------------------|----------|---------|----------------------------|
|------------------|----------------|----------------------------------|------------------|-------------------------|----------|---------|----------------------------|

TIPO (160_) 4 D 1987 -> 1997

| | | | | | | | |
|---------|--|--|--|--|---------|--|--|
| 30/171B | | | | | 7603207 | | |
| 30/171 | | | | | 7603206 | | |

TIPO/EGEA (356_) 4 D 2015 ->

| | | | | | | | |
|---------|--|--|--|--|--|--|--|
| 30/2463 | | | | | | 51983945* 52050177* 52072857* 52127981* | |
| 30/2462 | | | | | | 51983946* 52050176* 52072856* 52127979* | |
| 30/2465 | | | | | | 51983940* 52050179* 52069163* 52072861* | |
| 30/2464 | | | | | | 51983942* 52050178* 52069162* 52072859* | |

TIPO/EGEA (356_) STATION WAGON 4 D 2016 ->

| | | | | | | | |
|---------|--|--|--|--|--|--|--|
| 30/2463 | | | | | | 51983945* 52050177* 52072857* 52127981* | |
| 30/2462 | | | | | | 51983946* 52050176* 52072856* 52127979* | |
| 30/2465 | | | | | | 51983940* 52050179* 52069163* 52072861* | |
| 30/2464 | | | | | | 51983942* 52050178* 52069162* 52072859* | |

ULYSSE (220_) 4 D 1994 -> 2002

| | | | | | | | |
|---------|--|--|--|--|--------------------------------|--|--|
| 30/2808 | | | | | 1488560080 9221F7 9221H5 | | |
| 30/2807 | | | | | 1488590080 9222F5 9222H3 | | |

| Modello Model | Porte Doors | Configurazione Configurations | Foto Pictures | Connettore Connector | Cross OE | Alt. OE | Istruzioni Instructions |
|------------------|----------------|----------------------------------|------------------|-------------------------|----------|---------|----------------------------|
|------------------|----------------|----------------------------------|------------------|-------------------------|----------|---------|----------------------------|

ULYSSE (220_) 4 D 1994 -> 2002

| | | | | | | | |
|---------|--|--|--|--|--|--|--|
| 30/856 | | | | | 922334 1462445080 1484120080 1488560080 | | |
| 30/855 | | | | | 922434 1462444080 1484119080 1488559080 | | |
| 30/275B | | | | | 922190 1470070080 1488307080 9221N8 | | |
| 30/275 | | | | | 922289 1470069080 1488306080 9222N7 | | |
| 30/1925 | | | | | 922333 922378 1484122080 92243 | | |
| 30/1924 | | | | | 922433 922454 922481 1484121080 | | |

ULYSSE (179_) 4 D 2002 -> 2011

| | | | | | | | |
|--------|--|--|--|--|----------------------|--|--|
| 30/926 | | | | | 1485312080 9221L4 | | |
| 30/925 | | | | | 1485311080 9222L2 | | |

UNO (146_, 158_) 2 D 1983 -> 2013

| | | | | | | | |
|---------|--|--|--|--|--------------------------------|--|--|
| 30/687 | | | | | 7628496 7749315 77493150 | | |
| 30/686 | | | | | 7628495 7749314 77493140 | | |
| 30/161B | | | | | 7542310 7602203 7627991 | | |
| 30/161 | | | | | 7542309 7602197 7627990 | | |
| 30/175B | | | | | 7627991 | | |
| 30/175 | | | | | 7627990 | | |

| Modello Model | Porte Doors | Configurazione Configurations | Foto Pictures | Connettore Connector | Cross OE | Alt. OE | Istruzioni Instructions |
|------------------|----------------|----------------------------------|------------------|-------------------------|----------|---------|----------------------------|
|------------------|----------------|----------------------------------|------------------|-------------------------|----------|---------|----------------------------|

UNO (146_, 158_) 4 D 1983 -> 2013

| | | | | | | | |
|---------|--|--|--|--|---|--|--|
| 30/733 | | | | | 7724511 7749404 7764076 77494040 | | |
| 30/732 | | | | | 7724510 7749403 7764075 77494030 | | |
| 30/162B | | | | | 7542294 7602202 7635431 7694566 | | |
| 30/162 | | | | | 7542293 7602198 7635430 7694565 | | |
| 30/176B | | | | | 7635431 7694566 | | |
| 30/176 | | | | | 7635430 7694565 | | |

| Modello Model | Porte Doors | Configurazione Configurations | Foto Pictures | Connettore Connector | Cross OE | Alt. OE | Istruzioni Instructions |
|------------------|----------------|----------------------------------|------------------|-------------------------|----------|---------|----------------------------|
|------------------|----------------|----------------------------------|------------------|-------------------------|----------|---------|----------------------------|

B-MAX (JK) 4 D 2012 ->

| | | | | | | | |
|---------|--|--|--|--|--|-------------------------------|--|
| 30/1967 | | | | | | 1812740* 1891065* | |
| 30/1966 | | | | | | 1812738* 1891064* | |
| 30/2281 | | | | | | 1812748* 1865722* AV11R | |
| 30/2280 | | | | | | 1812747* AV11R27000AD * | |

C-MAX (DM2) 4 D 2007 -> 2010

| | | | | | | | |
|---------|--|--|--|--|---|--|--|
| 30/1943 | | | | | 1255641 1457171 1480793 1527955 | | |
| 30/1942 | | | | | 1231145 1255640 1457170 1480792 | | |
| 30/1945 | | | | | 1527980 1698425 1738647 30663572 | | |
| 30/1944 | | | | | 1527970 1698424 1738648 30663573 | | |

C-MAX II (DXA-CB7, DXA-CEU) 4 D 2010 -> 2019

| | | | | | | | |
|---------|--|--|--|--|--------------------------------------|--|--|
| 30/2992 | | | | | 1719265 1719264 1778066 AM5 | | |
| 30/2991 | | | | | 1719264 1778066 AM51R23200AF | | |
| 30/2560 | | | | | 1688680 1820117 18844 | | |
| 30/2559 | | | | | 1688678 AM51R27000BB | | |

| Modello Model | Porte Doors | Configurazione Configurations | Foto Pictures | Connettore Connector | Cross OE | Alt. OE | Istruzioni Instructions |
|------------------|----------------|----------------------------------|------------------|-------------------------|----------|---------|----------------------------|
|------------------|----------------|----------------------------------|------------------|-------------------------|----------|---------|----------------------------|

ECOSPORT 4 D 2011 -> 2022

| | | | | | | | |
|---------|--|--|--|--|--|--|--|
| 30/3166 | | | | | | 2017517* 1782792* CN15A23201BE * | |
| 30/3165 | | | POWER WINDOW RIGHT ALZACRISTALLI ELETTRICO DX | | | 2017516* 1782794* 1944444* CN15A23200CF | |
| 30/3128 | | | | | | 2142455* 2142457* | |
| 30/3129 | | | POWER WINDOW RIGHT ALZACRISTALLI ELETTRICO DX | | | 2142450* 2142452* | |

ESCORT V (AAL, ABL) 2 D 1990 -> 1996

| | | | | | | | |
|---------|--|--|---|--|--|---|--|
| 30/7079 | | | | | | 1031861 6819986 91ABB23201BF 103186 | |
| 30/7080 | | | POWER WINDOW LEFT ALZACRISTALLI ELETTRICO SX | | | 1031860 6760331 6819984 91ABB23200BE | |

ESCORT V (AAL, ABL) 4 D 1990 -> 1996

| | | | | | | | |
|--------|--|--|---|--|--|------------------------------------|--|
| 30/806 | | | | | | 1031858 6902718 91ABA23201BF | |
| 30/805 | | | POWER WINDOW LEFT ALZACRISTALLI ELETTRICO SX | | | 1031856 6902717 91ABA23200BF | |

ESCORT VI (GAL, AAL, ABL) 2 D 1995 -> 2002

| | | | | | | | |
|---------|--|--|---|--|--|---|--|
| 30/7079 | | | | | | 1031861 6819986 91ABB23201BF 103186 | |
| 30/7080 | | | POWER WINDOW LEFT ALZACRISTALLI ELETTRICO SX | | | 1031860 6760331 6819984 91ABB23200BE | |

ESCORT VI (GAL, AAL, ABL) 4 D 1995 -> 2002

| | | | | | | | |
|--------|--|--|---|--|--|------------------------------------|--|
| 30/806 | | | | | | 1031858 6902718 91ABA23201BF | |
| 30/805 | | | POWER WINDOW LEFT ALZACRISTALLI ELETTRICO SX | | | 1031856 6902717 91ABA23200BF | |

| Modello Model | Porte Doors | Configurazione Configurations | Foto Pictures | Connettore Connector | Cross OE | Alt. OE | Istruzioni Instructions |
|------------------|----------------|----------------------------------|------------------|-------------------------|----------|---------|----------------------------|
|------------------|----------------|----------------------------------|------------------|-------------------------|----------|---------|----------------------------|

EXPLORER (U2) 4 D 1994 -> 2003

| | | | | | | | |
|--------|--|--|--|--|------------------------------------|--|--|
| 30/806 | | | | | 1031858 6902718 91ABA23201BF | | |
| 30/805 | | | | | 1031856 6902717 91ABA23200BF | | |

FIESTA III (GFJ) / COURIER (F3L, F5L) 4 D 1989 -> 1997

| | | | | | | | |
|--------|--|--|--|--|--|--|--|
| 30/782 | | | | | 1024531 1049969 6189652 1021039 | | |
| 30/781 | | | | | 1021039 1024529 1049968 6189649 | | |

FIESTA III (GFJ) 2 D 1989 -> 1997

| | | | | | | | |
|--------|--|--|--|--|--|--|--|
| 30/780 | | | | | 1008920 1024541 1049971 1666743 | | |
| 30/779 | | | | | 1008918 1024540 1049970 7126708 | | |

FIESTA IV (JA_, JB_) 2 D 1995 -> 2006

| | | | | | | | |
|--------|--|--|--|--|---|--|--|
| 30/828 | | | | | 1007966 1022294 1048941 1079235 | | |
| 30/827 | | | | | 1022289 1048940 1100184 96FGB23200BF | | |

FIESTA IV (JA_, JB_) 4 D 1995 -> 2006

| | | | | | | | |
|--------|--|--|--|--|---|--|--|
| 30/830 | | | | | 1022283 1022285 1049131 1079231 | | |
| 30/829 | | | | | 1022280 1049130 1079233 1E01058560 | | |

FIESTA V (JH_, JD_) 2 D 2001 -> 2014

| | | | | | | | |
|---------|--|--|--|--|---------|--|--|
| 30/2020 | | | | | 1218655 | | |
|---------|--|--|--|--|---------|--|--|

| Modello Model | Porte Doors | Configurazione Configurations | Foto Pictures | Connettore Connector | Cross OE | Alt. OE | Istruzioni Instructions |
|------------------|----------------|----------------------------------|------------------|-------------------------|----------|---------|----------------------------|
|------------------|----------------|----------------------------------|------------------|-------------------------|----------|---------|----------------------------|

FIESTA V (JH_, JD_) 2 D 2001 -> 2014



| | | | | | | | |
|---------|--|--|--|--|--|--|--|
| 30/2151 | | | | | 1206824 | | |
| 30/2150 | | | | | 1205750 | | |
| 30/1605 | | | | | | 1218652* 1318772* 1331312* 1372502* | |
| 30/1604 | | | | | | 1331309* 1372500* 1436745* 1478271* | |
| 30/1115 | | | | | 1318772 1331312 1372502 1436746 | | |
| 30/1114 | | | | | 1331309 1372500 1436745 1478271 | | |
| 30/2021 | | | | | 1218652 | | |

FIESTA V (JH_, JD_) 4 D 2001 -> 2014


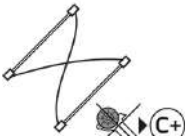



| | | | | | | | |
|---------|--|--|--|--|---------|--|--|
| 30/2151 | | | | | 1206824 | | |
| 30/2150 | | | | | 1205750 | | |
| 30/1607 | | | | | | 1202378* 1202379* 1206824* 1225778* | |
| 30/1606 | | | | | | 1202377* 1204033* 1205750* 1225776* | |
| 30/1119 | | | | | 1337219 | | |
| 30/1118 | | | | | 1528045 | | |

| Modello Model | Porte Doors | Configurazione Configurations | Foto Pictures | Connettore Connector | Cross OE | Alt. OE | Istruzioni Instructions |
|------------------|----------------|----------------------------------|------------------|-------------------------|----------|---------|----------------------------|
|------------------|----------------|----------------------------------|------------------|-------------------------|----------|---------|----------------------------|


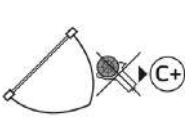




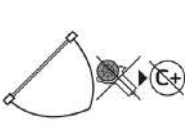



FIESTA V (JH_, JD_) 4 D 2001 -> 2014

| | | | | | | | |
|---------|---|---|--|--|---|--|---|
| 30/7084 |  |  |  <small>POWER WINDOW LEFT ALZACRISTALLI ELETTRICI SX</small> |  | 1447360 1528043 2S61A27001AR 1202386 | |  |
| 30/7085 |  | | | | 1202386 1225606 1255946 1326189 | | |











FIESTA VI (CB1 , CCN) 2 D 2008 ->

| | | | | | | | |
|---------|---|---|--|--|---|--|---|
| 30/1468 |  |  |  <small>POWER WINDOW LEFT ALZACRISTALLI ELETTRICI SX</small> | | 1674681 1836010 1852321 8A61B23209AB | |  |
| 30/1467 |  | | | | 1513276 1543207 1567309 1573827 | | |

FIESTA VI (CB1 , CCN) 4 D 2008 ->

| | | | | | | | |
|---------|---|---|---|--|---|--|---|
| 30/1464 |  |  |  <small>A POWER WINDOW LEFT ALZACRISTALLI ELETTRICI SX</small> | | 1633102 1837995 8A61A23209AE 156836 | |  |
| 30/1463 |  | | | | 1568365 1633101 1837993 8A61A23208AE | | |
| 30/1466 |  |  |  <small>POWER WINDOW LEFT ALZACRISTALLI ELETTRICI SX</small> | | 1568451 1579866 1633103 1837996 | |  |
| 30/1465 |  | | | | 1837994 1908249 2146006 8A61A23208BG | | |

FOCUS C-MAX (DM2) 4 D 2003 -> 2007

| | | | | | | | |
|---------|---|---|---|--|---|--|---|
| 30/1943 |  |  |  <small>POWER WINDOW RIGHT ALZACRISTALLI ELETTRICI SX</small> | | 1255641 1457171 1480793 1527955 | |  |
| 30/1942 |  | | | | 1231145 1255640 1457170 1480792 | | |
| 30/1945 |  |  |  <small>POWER WINDOW RIGHT ALZACRISTALLI ELETTRICI SX</small> | | 1527980 1698425 1738647 30663572 | |  |
| 30/1944 |  | | | | 1527970 1698424 1738648 30663573 | | |

| Modello Model | Porte Doors | Configurazione Configurations | Foto Pictures | Connettore Connector | Cross OE | Alt. OE | Istruzioni Instructions |
|------------------|----------------|----------------------------------|------------------|-------------------------|----------|---------|----------------------------|
|------------------|----------------|----------------------------------|------------------|-------------------------|----------|---------|----------------------------|

FOCUS I 2 D 1998 -> 2004

| | | | | | | | |
|---------|--|--|--|--|--|--|--|
| 30/944 | | | | | 1092548 1105707 1126606 1138210 | | |
| 30/943 | | | | | 1126605 1138208 1149818 1331618 | | |
| 30/1499 | | | | | 1138216 1149810 1331614 1331617 | | |
| 30/1498 | | | | | 1149694 1331612 1331616 1142894 | | |

FOCUS I 4 D 1998 -> 2004

| | | | | | | | |
|---------|--|--|--|--|--|--|--|
| 30/880 | | | | | | 1138216* 1149810* | |
| 30/879 | | | | | | 1149694* 1331612* | |
| 30/1499 | | | | | 1138216 1149810 1331614 1331617 | | |
| 30/1498 | | | | | 1149694 1331612 1331616 1142894 | | |
| 30/1014 | | | | | | 1091624* 1138204* 1143005* 1331606* | |
| 30/1013 | | | | | | 1091623* 1094927* 1138203* 1143004* | |
| 30/1066 | | | | | | 1091624* 1138204* 1143005* 1331606* | |
| 30/1065 | | | | | | 1091623* 1094927* 1138203* 1143004* | |

FOCUS I TURNIER 4 D 1998 -> 2004

| | | | | | | | |
|--------|--|--|--|--|--|----------------------|--|
| 30/880 | | | | | | 1138216* 1149810* | |
| 30/879 | | | | | | 1149694* 1331612* | |

| Modello Model | Porte Doors | Configurazione Configurations | Foto Pictures | Connettore Connector | Cross OE | Alt. OE | Istruzioni Instructions |
|------------------|----------------|----------------------------------|------------------|-------------------------|----------|---------|----------------------------|
|------------------|----------------|----------------------------------|------------------|-------------------------|----------|---------|----------------------------|

FOCUS I TURNIER 4 D 1998 -> 2004

| | | | | | | | |
|---------|--|--|--|--|--|--|--|
| 30/1499 | | | | | 1138216 1149810 1331614 1331617 | | |
| 30/1498 | | | | | 1149694 1331612 1331616 1142894 | | |
| 30/1014 | | | | | | 1091624* 1138204* 1143005* 1331606* | |
| 30/1013 | | | | | | 1091623* 1094927* 1138203* 1143004* | |
| 30/1066 | | | | | | 1091624* 1138204* 1143005* 1331606* | |
| 30/1065 | | | | | | 1091623* 1094927* 1138203* 1143004* | |

FOCUS II 2 D 2004 -> 2010

| | | | | | | | |
|---------|--|--|--|--|--|--|--|
| 30/1943 | | | | | 1255641 1457171 1480793 1527955 | | |
| 30/1942 | | | | | 1231145 1255640 1457170 1480792 | | |

FOCUS II 4 D 2004 -> 2010

| | | | | | | | |
|---------|--|--|--|--|---|--|--|
| 30/1943 | | | | | 1255641 1457171 1480793 1527955 | | |
| 30/1942 | | | | | 1231145 1255640 1457170 1480792 | | |
| 30/1945 | | | | | 1527980 1698425 1738647 30663572 | | |
| 30/1944 | | | | | 1527970 1698424 1738648 30663573 | | |

| Modello Model | Porte Doors | Configurazione Configurations | Foto Pictures | Connettore Connector | Cross OE | Alt. OE | Istruzioni Instructions |
|------------------|----------------|----------------------------------|------------------|-------------------------|----------|---------|----------------------------|
|------------------|----------------|----------------------------------|------------------|-------------------------|----------|---------|----------------------------|

FOCUS II TURNIER (DA_, FFS, DS) 4 D 2004 -> 2010

| | | | | | | | |
|---------|--|--|--|--|--|--|--|
| 30/1943 | | | | | 1255641 1457171 1480793 1527955 | | |
| 30/1942 | | | | | 1231145 1255640 1457170 1480792 | | |

FOCUS III 4 D 2010 -> 2018

| | | | | | | | |
|---------|--|--|--|--|-------------------------------|--|--|
| 30/1767 | | | | | | 1748808* 1769153* 1847371* 1870698* | |
| 30/1766 | | | | | | 1748804* 1769151* 1847372* 1870697* | |
| 30/2974 | | | | | 2330009 2470241 2500815 | 1748808* 1769153* 1847371* 1870698* | |
| 30/2975 | | | | | 2330194 2470240 2500807 | 1748804* 1769151* 1847372* 1870697* | |
| 30/1795 | | | | | | 1870372* 5118333* 1769159* 1870371* | |
| 30/1794 | | | | | | 1769159* 1870371* 5118330* BM51A27000BC | |

FOCUS III TURNIER 4 D 2010 -> 2018

| | | | | | | | |
|---------|--|--|--|--|-------------------------------|--|--|
| 30/1767 | | | | | | 1748808* 1769153* 1847371* 1870698* | |
| 30/1766 | | | | | | 1748804* 1769151* 1847372* 1870697* | |
| 30/2974 | | | | | 2330009 2470241 2500815 | 1748808* 1769153* 1847371* 1870698* | |
| 30/2975 | | | | | 2330194 2470240 2500807 | 1748804* 1769151* 1847372* 1870697* | |
| 30/1795 | | | | | | 1870372* 5118333* 1769159* 1870371* | |
| 30/1794 | | | | | | 1769159* 1870371* 5118330* BM51A27000BC | |

| Modello Model | Porte Doors | Configurazione Configurations | Foto Pictures | Connettore Connector | Cross OE | Alt. OE | Istruzioni Instructions |
|------------------|----------------|----------------------------------|------------------|-------------------------|----------|---------|----------------------------|
|------------------|----------------|----------------------------------|------------------|-------------------------|----------|---------|----------------------------|

FOCUS IV (HN) 4 D 2018 ->

| | | | | | | | |
|---------|---|---|--|--|-------------------------------|--|---|
| 30/2974 |  |  |  POWER WINDOW LEFT ALZACRISTALLI ELETTRICO SX | | 2330009 2470241 2500815 | 1748808* 1769153* 1847371* 1870698* |  |
| 30/2975 |  | | | | 2330194 2470240 2500807 | 1748804* 1769151* 1847372* 1870697* | |


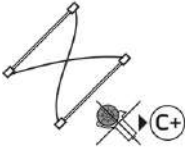



FOCUS IV TURNIER (HP) 4 D 2018 ->

| | | | | | | | |
|---------|---|---|--|--|-------------------------------|--|---|
| 30/2974 |  |  |  POWER WINDOW LEFT ALZACRISTALLI ELETTRICO SX | | 2330009 2470241 2500815 | 1748808* 1769153* 1847371* 1870698* |  |
| 30/2975 |  | | | | 2330194 2470240 2500807 | 1748804* 1769151* 1847372* 1870697* | |

FUSION (JU_) 4 P 2002 -> 2012

| | | | | | | | |
|---------|---|---|--|--|--|--|---|
| 30/1607 |  |  |  POWER WINDOW LEFT ALZACRISTALLI ELETTRICO SX | | | 1202378* 1202379* 1206824* 1225778* |  |
| 30/1606 |  | | | | | 1202377* 1204033* 1205750* 1225776* | |
| 30/1609 |  |  |  POWER WINDOW LEFT ALZACRISTALLI ELETTRICO SX | | | 1206824* 1225874* 1255983* 1491755* |  |
| 30/1608 |  | | | | | 1205750* 1255981* 1337222* 1448091* | |
| 30/1937 |  |  |  POWER WINDOW LEFT ALZACRISTALLI ELETTRICO SX | | 1225874 1255983 1491755 1498141 | |  |
| 30/1936 |  | | | | 1255981 1337222 1448091 1491754 | | |

GALAXY I (WGR) 4 D 1995 -> 2006

| | | | | | | | |
|---------|---|---|--|--|---|--|---|
| 30/1193 |  |  |  POWER WINDOW LEFT ALZACRISTALLI ELETTRICO SX | | 1021996 1107592 7M0837461 7M0837461A | |  |
| 30/1192 |  | | | | 1021998 1107591 7M0837462 7M0837462A | | |

| Modello Model | Porte Doors | Configurazione Configurations | Foto Pictures | Connettore Connector | Cross OE | Alt. OE | Istruzioni Instructions |
|------------------|----------------|----------------------------------|------------------|-------------------------|----------|---------|----------------------------|
|------------------|----------------|----------------------------------|------------------|-------------------------|----------|---------|----------------------------|

GALAXY II (WA6) 4 D 2006 -> 2015

| | | | | | | | |
|---------|--|--|--|--|-------------------------------|--|--|
| 30/1903 | | | | | 1376856 1419795 1403339 | | |
| 30/1902 | | | | | 1376853 1509725 1523692 | | |
| 30/1947 | | | | | | 1378258* 1548854* 1567826* 1639957* | |
| 30/1946 | | | | | | 1378109* 1378114* 1384669* 1384670* | |

GRAND C-MAX II (DXA-CB7, DXA-CEU) 4 D 2010 -> 2019

| | | | | | | | |
|---------|--|--|--|--|-----------------------------|--|--|
| 30/2560 | | | | | 1688680 1820117 18844 | | |
| 30/2559 | | | | | 1688678 AM51R27000BB | | |

KA (RB_) 2 D 1996 -> 2008

| | | | | | | | |
|--------|--|--|--|--|-------------------------------|--|--|
| 30/840 | | | | | 1054851 1097578 1138072 | | |
| 30/839 | | | | | 1054850 1097577 1138071 | | |

KA (RU8) 2 D 2008 -> 2016

| | | | | | | | |
|---------|--|--|--|--|--|--|--|
| 30/1084 | | | | | 1542436 1749890 1799662 1851632 | | |
| 30/1083 | | | | | 1542434 1749889 1799658 1851628 | | |
| 30/228B | | | | | 1542435 1799653 | | |
| 30/228 | | | | | 1542433 1799651 | | |

| Modello Model | Porte Doors | Configurazione Configurations | Foto Pictures | Connettore Connector | Cross OE | Alt. OE | Istruzioni Instructions |
|------------------|----------------|----------------------------------|------------------|-------------------------|----------|---------|----------------------------|
|------------------|----------------|----------------------------------|------------------|-------------------------|----------|---------|----------------------------|

KA (RU8) 2 D 2008 -> 2016

| | | | | | | | |
|---------|--|--|--|--|--|--|--|
| 30/1857 | | | | | | 1542436* 1749890* 1799662* 1851632* | |
| 30/1856 | | | | | | 1542434* 1749889* 1799658* 1851628* | |

KA+ III (UK, FK) 4 D 2014 ->

| | | | | | | | |
|---------|--|--|---|--|--|----------|--|
| 30/3162 | | | | | | 2323097* | |
| 30/3161 | | | POWER WINDOW LEFT ALZACRISTALLI ELETTRICO SX | | | 2323095* | |
| 30/3144 | | | | | | 2323104* | |
| 30/3145 | | | POWER WINDOW LEFT ALZACRISTALLI ELETTRICO SX | | | 2323102* | |

KUGA I 4 D 2008 -> 2012

| | | | | | | | |
|---------|--|--|---|--|--|---|--|
| 30/1943 | | | | | | 1255641 1457171 1480793 1527955 | |
| 30/1942 | | | POWER WINDOW LEFT ALZACRISTALLI ELETTRICO SX | | | 1231145 1255640 1457170 1480792 | |
| 30/1945 | | | | | | 1527980 1698425 1738647 30663572 | |
| 30/1944 | | | POWER WINDOW LEFT ALZACRISTALLI ELETTRICO SX | | | 1527970 1698424 1738648 30663573 | |

KUGA II (DM2) 4 D 2012 ->

| | | | | | | | |
|---------|--|--|---|--|--|----------|--|
| 30/2952 | | | | | | 5241985* | |
| 30/2951 | | | POWER WINDOW LEFT ALZACRISTALLI ELETTRICO SX | | | 5270491* | |

| Modello Model | Porte Doors | Configurazione Configurations | Foto Pictures | Connettore Connector | Cross OE | Alt. OE | Istruzioni Instructions |
|------------------|----------------|----------------------------------|------------------|-------------------------|----------|---------|----------------------------|
|------------------|----------------|----------------------------------|------------------|-------------------------|----------|---------|----------------------------|

KUGA II (DM2) 4 D 2012 ->

| | | | | | | | |
|---------|--|--|--|--|--|----------|--|
| 30/2950 | | | | | | 5264014* | |
| 30/2949 | | | | | | 5264012* | |

MAVERICK 2 D 2001 ->

| | | | | | | | |
|---------|--|--|--|--|--|--|--|
| 30/1054 | | | | | | 000033962* 8073187325* 807318F325* 807010F010* | |
| 30/1053 | | | | | | 807308F325* 807000F000* 807000F005* 807000F010* | |

MONDEO I TURNIER (BNP) 4 D 1993 -> 1996

| | | | | | | | |
|---------|--|--|--|--|--|--|--|
| 30/878 | | | | | | 1012437* 1034831* 1034939* 1035265* | |
| 30/877 | | | | | | 1012435* 1034836* 1034940* 1035264* | |
| 30/7086 | | | | | | 1012439* 1018772* 1029192* 1042121* | |
| 30/7087 | | | | | | 1012438* 1018768* 1021728* 1029191* | |

MONDEO I (GBP) 4 D 1993 -> 1996

| | | | | | | | |
|---------|--|--|--|--|--|--|--|
| 30/878 | | | | | | 1012437* 1034831* 1034939* 1035265* | |
| 30/877 | | | | | | 1012435* 1034836* 1034940* 1035264* | |
| 30/7086 | | | | | | 1012439* 1018772* 1029192* 1042121* | |
| 30/7087 | | | | | | 1012438* 1018768* 1021728* 1029191* | |

| Modello Model | Porte Doors | Configurazione Configurations | Foto Pictures | Connettore Connector | Cross OE | Alt. OE | Istruzioni Instructions |
|------------------|----------------|----------------------------------|------------------|-------------------------|----------|---------|----------------------------|
|------------------|----------------|----------------------------------|------------------|-------------------------|----------|---------|----------------------------|

MONDEO II TURNIER (BNP) 4 D 1996 -> 2000

| | | | | | | | |
|---------|--|--|--|--|--|--|--|
| 30/878 | | | | | | 1012437* 1034831* 1034939* 1035265* | |
| 30/877 | | | | | | 1012435* 1034836* 1034940* 1035264* | |
| 30/7086 | | | | | | 1012439* 1018772* 1029192* 1042121* | |
| 30/7087 | | | | | | 1012438* 1018768* 1021728* 1029191* | |

MONDEO II (BAP) 4 D 1996 -> 2000


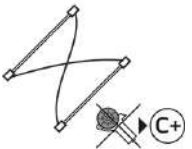









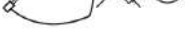
| | | | | | | | |
|---------|--|--|--|--|--|--|--|
| 30/878 | | | | | | 1012437* 1034831* 1034939* 1035265* | |
| 30/877 | | | | | | 1012435* 1034836* 1034940* 1035264* | |
| 30/7086 | | | | | | 1012439* 1018772* 1029192* 1042121* | |
| 30/7087 | | | | | | 1012438* 1018768* 1021728* 1029191* | |

MONDEO III (B5Y) 4 D 2000 -> 2007


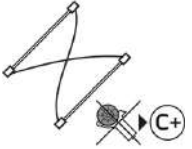











| | | | | | | | |
|---------|--|--|--|--|------------------------------------|--|--|
| 30/1095 | | | | | 1115801 1417698 | | |
| 30/1094 | | | | | 1115800 1417697 | | |
| 30/1127 | | | | | 1134360 1320875 1S71F27001BM | | |
| 30/1126 | | | | | 1134359 1320873 1S71F27000BM | | |

| Modello Model | Porte Doors | Configurazione Configurations | Foto Pictures | Connettore Connector | Cross OE | Alt. OE | Istruzioni Instructions |
|------------------|----------------|----------------------------------|------------------|-------------------------|----------|---------|----------------------------|
|------------------|----------------|----------------------------------|------------------|-------------------------|----------|---------|----------------------------|


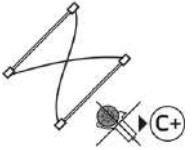












MONDEO III TURNIER (BWY) 4 P 2000 -> 2007

| | | | | | | | |
|---------|---|---|--|--|------------------------------------|--|---|
| 30/1095 |  |  |  POWER WINDOW LEFT ALZACRISTALLI ELETTRICO SX | | 1115801 1417698 | |  |
| 30/1094 |  |  | | | 1115800 1417697 | | |
| 30/1127 |  |  |  | | 1134360 1320875 1571F27001BM | |  |
| 30/1126 |  |  | | | 1134359 1320873 1571F27000BM | | |

MONDEO IV (BA7) 4 D 2007 -> 2015


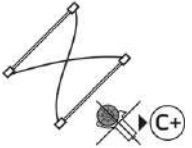



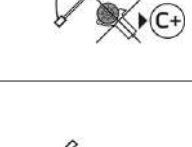


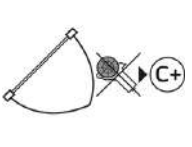



| | | | | | | | |
|---------|---|---|--|--|------------------------------------|--|---|
| 30/1981 |  |  |  | | 1511076 1551482 7S71A23201BL | |  |
| 30/1980 |  |  | | | 1511075 1551474 7S71A23200BL | | |
| 30/1603 |  |  |  | | 1502701 1523713 1881208 | |  |
| 30/1602 |  |  |  POWER WINDOW LEFT ALZACRISTALLI ELETTRICO SX | | 1502700 1523711 1881205 | | |

MONDEO V (CE , CD , CF) 4 D 2012 ->

| | | | | | | | |
|---------|---|---|--|--|--|--|---|
| 30/3160 |  |  |  | | 2017018 1917487 2057779 DS73F | |  |
| 30/3159 |  |  |  POWER WINDOW LEFT ALZACRISTALLI ELETTRICO SX | | 2055759 1917483 DS73F23208AF | | |
| 30/3146 |  |  |  | | 2017020 DS73F27009AH 1932345 | |  |
| 30/3147 |  |  |  POWER WINDOW LEFT ALZACRISTALLI ELETTRICO SX | | 2017019 1917488 DS73F27008AH | | |

| Modello Model | Porte Doors | Configurazione Configurations | Foto Pictures | Connettore Connector | Cross OE | Alt. OE | Istruzioni Instructions |
|------------------|----------------|----------------------------------|------------------|-------------------------|----------|---------|----------------------------|
|------------------|----------------|----------------------------------|------------------|-------------------------|----------|---------|----------------------------|

MONDEO V TURNIER (CF) 4 D 2014 ->

| | | | | | | | |
|---------|---|---|--|--|--|--|---|
| 30/3160 |  |  |  | | 2017018 1917487 2057779 DS73F | |  |
| 30/3159 |  |  |  POWER WINDOW LEFT ALZACRISTALLI ELETTRICO SX | | 2055759 1917483 DS73F23208AF | | |
| 30/3146 |  |  |  POWER WINDOW LEFT ALZACRISTALLI ELETTRICO SX | | 2017020 DS73F27009AH 1932345 | |  |
| 30/3147 |  | | | | 2017019 1917488 DS73F27008AH | | |


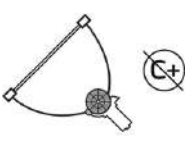





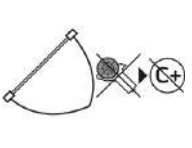



ORION III (GAL) 4 D 1990 -> 1996

| | | | | | | | |
|--------|--|--|--|---|------------------------------------|--|--|
| 30/806 |  |  |  |  | 1031858 6902718 91ABA23201BF | |  |
| 30/805 |  | | | | 1031856 6902717 91ABA23200BF | | |

RANGER (ET) 2 D 2005 -> 2012

| | | | | | | | |
|---------|---|---|---|--|----------------------|--|---|
| 30/7088 |  |  |  |  | 1452782* 1452803* | |  |
| 30/7089 |  | | | | 1452778* 1452794* | | |

RANGER (TKE) 4 D 2011 ->

| | | | | | | | |
|---------|---|---|---|--|--|--|---|
| 30/2888 |  |  |  |  | 5291164* 5341351* 1726659* 5291165* | |  |
| 30/2887 |  | | | | 1726659* 5291165* 5341360* AB392627000B | | |
| 30/2948 |  |  |  | | 5291164 5341351 5291165 5341360 | |  |
| 30/2947 |  | | | | 5291165 5341360 AB392627000B D | | |

| Modello Model | Porte Doors | Configurazione Configurations | Foto Pictures | Connettore Connector | Cross OE | Alt. OE | Istruzioni Instructions |
|------------------|----------------|----------------------------------|------------------|-------------------------|----------|---------|----------------------------|
|------------------|----------------|----------------------------------|------------------|-------------------------|----------|---------|----------------------------|

S-MAX (WA6) 4 D 2015 ->

| | | | | | | | |
|---------|--|--|--|--|--|--|--|
| 30/1903 | | | POWER WINDOW LEFT ALZACRISTALLI ELETTRICI | | 1376856 1419795 1403339 | | |
| 30/1902 | | | | | 1376853 1509725 1523692 | | |
| 30/1947 | | | POWER WINDOW LEFT ALZACRISTALLI ELETTRICI | | | 1378258* 1548854* 1567826* 1639957* | |
| 30/1946 | | | | | 1378109* 1378114* 1384669* 1384670* | | |

TOURNEO CONNECT / GRAND TOURNEO CONNECT V408 MPV 2013 ->

| | | | | | | | |
|---------|--|--|---|--|---|---|--|
| 30/2886 | | | POWER WINDOW RIGHT ALZACRISTALLI ELETTRICI | | 1824293 1847851 1836139 1824294 | | |
| 30/2885 | | | | | 1836138 1847848 DT11V23200BD 1824292 | | |
| 30/2910 | | | POWER WINDOW RIGHT ALZACRISTALLI ELETTRICI | | | 1836139* 1847851* 1824294* 183 | |
| 30/2909 | | | | | 1836138* 1847848* DT11V23200BD * | | |

TOURNEO CONNECT 4 D 2002 -> 2013

| | | | | | | | |
|---------|--|--|--|--|---|---|--|
| 30/1317 | | | POWER WINDOW LEFT ALZACRISTALLI ELETTRICI | | 1493637 4523921 5182970 2T14V23201BI | | |
| 30/1316 | | | | | 1493635 4523918 5182969 2T14V23200BI | | |
| 30/1927 | | | POWER WINDOW LEFT ALZACRISTALLI ELETTRICI | | | 1493637* 2T14V23201BJ* 4523921* 5182970* | |
| 30/1926 | | | | | 1493635* 2T14V23200BJ* 4523918* 5182969* | | |

| Modello Model | Porte Doors | Configurazione Configurations | Foto Pictures | Connettore Connector | Cross OE | Alt. OE | Istruzioni Instructions |
|------------------|----------------|----------------------------------|------------------|-------------------------|----------|---------|----------------------------|
|------------------|----------------|----------------------------------|------------------|-------------------------|----------|---------|----------------------------|

TOURNEO COURIER B460 4 D 2014 ->

| | | | | | | | |
|---------|--|--|---|--|--|----------------------|--|
| 30/2668 | | | | | | 1880116* 2009281* | |
| 30/2667 | | | <small>POWER WINDOW LEFT ALZACRISTALLI ELETTRICO SX</small> | | | 1880117* 2009280* | |

TOURNEO CUSTOM V362 4 D 2012 ->

| | | | | | | | |
|---------|--|--|---|--|--|--|--|
| 30/2159 | | | | | | 2473815* 1770395* 1838047* 1851908* | |
| 30/2158 | | | <small>POWER WINDOW LEFT ALZACRISTALLI ELETTRICO SX</small> | | | 1770395* 1838047* 1851908* 2473811* | |

TRANSIT (E_) 2 D 1994 -> 2000

| | | | | | | | |
|---------|--|--|---|--|--|---|--|
| 30/2069 | | | | | | 1033650 1052177 7140467 95VBV23201BD | |
| 30/2068 | | | <small>POWER WINDOW LEFT ALZACRISTALLI ELETTRICO SX</small> | | | 1012608 1052175 7140466 95VBV23200BD | |
| 30/277B | | | | | | 1012838 1052174 7178745 95VBV23200AD | |
| 30/277 | | | <small>POWER WINDOW LEFT ALZACRISTALLI ELETTRICO SX</small> | | | 1012612 1052176 7178746 95VBV23201AD | |

TRANSIT (FD_, FB_, FS_, FZ_, FC_) 2 D 2000 -> 2014

| | | | | | | | |
|---------|--|--|---|--|--|---|--|
| 30/2806 | | | | | | 1424759 1488641 1810415 6C11V23201AD | |
| 30/2805 | | | | | | 1424758 1492722 1810414 6C11V23200AD | |
| 30/1765 | | | | | | 1424759 1488641 1810415 6C11V23201AD | |
| 30/1764 | | | <small>POWER WINDOW LEFT ALZACRISTALLI ELETTRICO SX</small> | | | 1424758 1492722 1810414 6C11V23200AD | |

| Modello Model | Porte Doors | Configurazione Configurations | Foto Pictures | Connettore Connector | Cross OE | Alt. OE | Istruzioni Instructions |
|------------------|----------------|----------------------------------|------------------|-------------------------|----------|---------|----------------------------|
|------------------|----------------|----------------------------------|------------------|-------------------------|----------|---------|----------------------------|

TRANSIT (FD_, FB_, FS_, FZ_, FC_) 2 D 2000 -> 2014

| | | | | | | | |
|---------|--|--|--|--|---|--|--|
| 30/248B | | | | | 1436976 1482293 4458245 6C11V23201CB | | |
| 30/248 | | | | | 1436977 1482292 4458243 6C11V23200CB | | |

TRANSIT CONNECT (P65_, P70_, P80_) 2 D 2002 ->

| | | | | | | | |
|---------|--|--|--|--|---|---|--|
| 30/1317 | | | | | 1493637 4523921 5182970 2T14V23201BI | | |
| 30/1316 | | | | | 1493635 4523918 5182969 2T14V23200BI | | |
| 30/1927 | | | | | | 1493637* 2T14V23201BJ* 4523921* 5182970* | |
| 30/1926 | | | | | | 1493635* 2T14V23200BJ* 4523918* 5182969* | |

TRANSIT CONNECT V408 4 D 2013 ->

| | | | | | | | |
|---------|--|--|--|--|---|---|--|
| 30/2886 | | | | | 1824293 1847851 1836139 1824294 | | |
| 30/2885 | | | | | 1836138 1847848 DT11V23200BD 1824292 | | |
| 30/2910 | | | | | | 1836139* 1847851* 1824294* 183 | |
| 30/2909 | | | | | | 1836138* 1847848* DT11V23200BD * | |

TRANSIT COURIER B460 4 D 2014 ->

| | | | | | | | |
|---------|--|--|--|--|--|----------------------|--|
| 30/2668 | | | | | | 1880116* 2009281* | |
| 30/2667 | | | | | | 1880117* 2009280* | |

| Modello Model | Porte Doors | Configurazione Configurations | Foto Pictures | Connettore Connector | Cross OE | Alt. OE | Istruzioni Instructions |
|------------------|----------------|----------------------------------|------------------|-------------------------|----------|---------|----------------------------|
|------------------|----------------|----------------------------------|------------------|-------------------------|----------|---------|----------------------------|

TRANSIT CUSTOM V362 4 D 2012 ->

| | | | | | | | |
|---------|--|--|--|--|--|--|--|
| 30/2159 | | | | | | 2473815* 1770395* 1838047* 1851908* | |
| 30/2158 | | | | | | 1770395* 1838047* 1851908* 2473811* | |

TRANSIT TOURNEO 2 D 2006 -> 2014

| | | | | | | | |
|---------|--|--|--|--|---|--|--|
| 30/2806 | | | | | 1424759 1488641 1810415 6C11V23201AD | | |
| 30/2805 | | | | | 1424758 1492722 1810414 6C11V23200AD | | |
| 30/1765 | | | | | 1424759 1488641 1810415 6C11V23201AD | | |
| 30/1764 | | | | | 1424758 1492722 1810414 6C11V23200AD | | |
| 30/248B | | | | | 1436976 1482293 4458245 6C11V23201CB | | |
| 30/248 | | | | | 1436977 1482292 4458243 6C11V23200CB | | |

TRANSIT V363 2 D 2013 ->

| | | | | | | | |
|---------|--|--|--|--|--|--|--|
| 30/2942 | | | | | | 1883672* 1836088* 1847476* 1883671* | |
| 30/2941 | | | | | | 1836088* 1847476* 1883671* BK31V23200BE | |

WINDSTAR (A3) 4 D 1995 -> 2004

| | | | | | | | |
|--------|--|--|--|--|------------------------------------|--|--|
| 30/806 | | | | | 1031858 6902718 91ABA23201BF | | |
| 30/805 | | | | | 1031856 6902717 91ABA23200BF | | |

| Modello Model | Porte Doors | Configurazione Configurations | Foto Pictures | Connettore Connector | Cross OE | Alt. OE | Istruzioni Instructions |
|------------------|----------------|----------------------------------|------------------|-------------------------|----------|---------|----------------------------|
|------------------|----------------|----------------------------------|------------------|-------------------------|----------|---------|----------------------------|

ACCORD VII (CL, CN, CM) 4 D 2003 -> 2012

| | | | | | | | |
|---------|--|--|--|--|-------------|--|--|
| 30/2890 | | | POWER WINDOW RIGHT ALZACRISTALLI ELETTRICO DX | | 72250SEA003 | | |
| 30/2889 | | | | | 72210SEAG01 | | |
| 30/2892 | | | POWER WINDOW LEFT ALZACRISTALLI ELETTRICO SX | | 72750SEA003 | | |
| 30/2891 | | | | | 72710SEA003 | | |

ACCORD VII TOURER (CN, CM) 4 D 2002 -> 2008

| | | | | | | | |
|---------|--|--|--|--|-------------|--|--|
| 30/2890 | | | POWER WINDOW RIGHT ALZACRISTALLI ELETTRICO DX | | 72250SEA003 | | |
| 30/2889 | | | | | 72210SEAG01 | | |

ACCORD VIII CROSSTOUR (CU) 4 D 2008 ->

| | | | | | | | |
|---------|--|--|---|--|--|--------------|--|
| 30/3026 | | | POWER WINDOW LEFT ALZACRISTALLI ELETTRICO SX | | | 72250TL0003* | |
| 30/3025 | | | | | | 72210TL0003* | |

ACCORD VIII TOURER (CW) 4 D 2008 ->

| | | | | | | | |
|---------|--|--|---|--|--|--------------|--|
| 30/3026 | | | POWER WINDOW LEFT ALZACRISTALLI ELETTRICO SX | | | 72250TL0003* | |
| 30/3025 | | | | | | 72210TL0003* | |

CIVIC - 04-SERIES - IV (EC, ED, EE) 2 D 1987 -> 1993

| | | | | | | | |
|---------|--|--|---|--|--|--|--|
| 30/7096 | | | POWER WINDOW LEFT ALZACRISTALLI ELETTRICO SX | | 72250SH3S01 72250SH3S02 72250SH3X11 72250SH3X12 | | |
| 30/7097 | | | | | 72210SH3S01 72210SH3S02 72210SH3X11 72210SH3X12 | | |

| Modello Model | Porte Doors | Configurazione Configurations | Foto Pictures | Connettore Connector | Cross OE | Alt. OE | Istruzioni Instructions |
|------------------|----------------|----------------------------------|------------------|-------------------------|----------|---------|----------------------------|
|------------------|----------------|----------------------------------|------------------|-------------------------|----------|---------|----------------------------|

CIVIC - 05-SERIES - V (EG,EH) 2 D 1991 -> 1995

| | | | | | | | |
|---------|--|--|--|--|--|--|--|
| 30/7096 | | | | | 72250SH3S01 72250SH3S02 72250SH3X11 72250SH3X12 | | |
| 30/7097 | | | | | 72210SH3S01 72210SH3S02 72210SH3X11 72210SH3X12 | | |

CIVIC - 05-SERIES - V (EG,EH) 4 D 1991 -> 1995

| | | | | | | | |
|---------|---------|--|--|--|---|--|--|
| 30/7098 | | | | | 72250SH4S02 | | |
| 30/7099 | | | | | 72210SH4S02 | | |
| 30/7093 | RHD | | | | 72250ST3G11 72255ST3G11 CUH102110 | | |
| 30/7091 | LHD | | | | 72210ST3G11 72215ST3G11 CUH102100 | | |

CIVIC - 06-SERIES - VI (EJ, EK) 2 D 1995 -> 2001

| | | | | | | | |
|---------|--|--|--|--|------------------------------|--|--|
| 30/7100 | | | | | 72251S03J01* 72255SR3A01* | | |
| 30/7101 | | | | | 72211S03J01* 72755S10003* | | |

CIVIC - 06-SERIES - VI (EJ, EK) 4 D 1995 -> 2001

| | | | | | | | |
|---------|---------|--|--|--|----------------------------|--|--|
| 30/1258 | LHD | | | | 72210S04A03 72210S04A02 | | |
| 30/1259 | LHD | | | | 72250S04A04 | | |

| Modello Model | Porte Doors | Configurazione Configurations | Foto Pictures | Connettore Connector | Cross OE | Alt. OE | Istruzioni Instructions |
|------------------|----------------|----------------------------------|------------------|-------------------------|----------|---------|----------------------------|
|------------------|----------------|----------------------------------|------------------|-------------------------|----------|---------|----------------------------|

CIVIC - 06-SERIES - VI FASTBACK (MA, MB) 4 D 1994 -> 2001

| | | | | | | | |
|---------|-----|--|--|--|--|--|--|
| 30/7093 | RHD | | | | | 72250ST3G11 72255ST3G11 CUH102110 | |
| 30/7091 | LHD | | | | | 72210ST3G11 72215ST3G11 CUH102100 | |
| 30/7090 | LHD | | | | | 72250S04A01 72250S04A02 72250S04A0 | |
| 30/7092 | RHD | | | | | CUH102060 72210S04A01 72210S04A02 | |
| 30/7094 | | | | | | 72750ST3E11 72755ST3E11 CVH101030 CVH101090 | |
| 30/7095 | | | | | | 72710ST3E11 72715ST3E11 CVH101020 CVH101080 | |

CIVIC - 07-SERIES - VII (EU, EP, EV) 2 D 2000 -> 2006

| | | | | | | | |
|---------|--|--|--|--|--|---|--|
| 30/1861 | | | | | | 72250S55E11 72210S55G01 72210S55G0 | |
| 30/1860 | | | | | | 72210S55G01 72210S55G02 72210S55G03 | |

CIVIC - 07-SERIES - VII SEDAN (ES) 4 D 2000 -> 2006

| | | | | | | | |
|---------|-----|--|--|--|--|---|--|
| 30/1260 | LHD | | | | | 72210S5AG10 72210S6AG11 72210S6AG12 72210S6AG13 | |
| 30/1261 | LHD | | | | | 72250S5AA05 72250S5AG05 | |
| 30/1263 | | | | | | 72750S5AJ010 72750S5AJ02 72750S5AJ03 72750S5DA05 | |
| 30/1262 | | | | | | 72710S5AJ010 72710S5AJ02 72710S5AJ03 72710S5DA05 | |

| Modello Model | Porte Doors | Configurazione Configurations | Foto Pictures | Connettore Connector | Cross OE | Alt. OE | Istruzioni Instructions |
|------------------|----------------|----------------------------------|------------------|-------------------------|----------|---------|----------------------------|
|------------------|----------------|----------------------------------|------------------|-------------------------|----------|---------|----------------------------|

CIVIC - 08-SERIES - VIII (FN, FK) 4 D 2005 -> 2012

| | | | | | | | |
|---------|--|--|--|--|--|--------------|--|
| 30/1863 | | | | | | 72250SMGE01* | |
| 30/1862 | | | | | | 72210SMGE01* | |

CIVIC - 09-SERIES - IX (FK) 4 D 2012 -> 2017

| | | | | | | | |
|---------|--|--|--|--|-------------|------------------------------|--|
| 30/2932 | | | | | 72251TV0E01 | | |
| 30/2931 | | | POWER WINDOW RIGHT ALZACRISTALLI ELETTRICO SX | | 72211TV0E01 | | |
| 30/2958 | | | | | | 72750TV0E01* 72750TV0E11* | |
| 30/2959 | | | POWER WINDOW RIGHT ALZACRISTALLI ELETTRICO DX | | | 72710TV0E01* 72710TV0E11* | |

CIVIC - 10-SERIES - X (FC_, FK_, FX_) 4 D 2015 ->

| | | | | | | | |
|---------|--|--|---|--|--|--------------|--|
| 30/3080 | | | | | | 72250TGA01* | |
| 30/3081 | | | POWER WINDOW LEFT ALZACRISTALLI ELETTRICO SX | | | 72210TGA01* | |
| 30/3088 | | | | | | 72750TEXR01* | |
| 30/3089 | | | POWER WINDOW LEFT ALZACRISTALLI LETTRICO SX | | | 72710TEXR01* | |

CONCERTO (HW, MA) 4 D 1989 -> 1996

| | | | | | | | |
|---------|--|--|---|--|--|--|--|
| 30/7102 | | | | | 72250SK3G12 72250SK3G13 72255SK3G12 CUH10119 | | |
| 30/7103 | | | POWER WINDOW LEFT ALZACRISTALLI ELETTRICO SX | | 72210SK3G11 72210SK3G12 72210SK3G13 72215SK3G12 | | |

| Modello Model | Porte Doors | Configurazione Configurations | Foto Pictures | Connettore Connector | Cross OE | Alt. OE | Istruzioni Instructions |
|------------------|----------------|----------------------------------|------------------|-------------------------|----------|---------|----------------------------|
|------------------|----------------|----------------------------------|------------------|-------------------------|----------|---------|----------------------------|

CR-V I (RD) 4 D 1995 -> 2002

| | | | | | | | |
|---------|-----|--|--|--|--|--|--|
| 30/1264 | LHD | | | POWER WINDOW RIGHT ALZACRISTALLI ELETTRICI DS | | 72211S10J01* 72215S30A02* | |
| 30/2443 | LHD | | | POWER WINDOW LEFT ALZACRISTALLI ELETTRICI DS | | 72251S10J01* 72255S30A01* 72255S30A02* 72255SR3A01* | |
| 30/2442 | | | | | | 72211S10J01* 72215S30A01* 72215S30A02* 72215SR3A01* | |
| 30/1265 | LHD | | | POWER WINDOW LEFT ALZACRISTALLI ELETTRICI DS | | 72251S10J01* 72255SR3505* | |

CR-V II (RD_) 4 D 2001 -> 2007

| | | | | | | | |
|---------|-----|--|--|--|--|----------------------------|--|
| 30/1266 | LHD | | | POWER WINDOW RIGHT ALZACRISTALLI ELETTRICI DS | | 72210S9AA02 72210S9AA03 | |
| 30/1267 | LHD | | | POWER WINDOW LEFT ALZACRISTALLI ELETTRICI DS | | 72250S9AM02 72250S9AM03 | |

CR-V III (RE) 4 D 2006 ->

| | | | | | | | |
|---------|-----|--|--|---|--|------------------------------|--|
| 30/2141 | LHD | | | POWER WINDOW LEFT ALZACRISTALLI ELETTRICI DS | | 72250SWYE01* | |
| 30/2140 | | | | | | 72210SWYE01* | |
| 30/2285 | LHD | | | POWER WINDOW LEFT ALZACRISTALLI ELETTRICI DS | | 72750SWAA01* 72750SWAA02* | |
| 30/2284 | | | | | | 72710SWAA01* 72710SWAA02* | |

| Modello Model | Porte Doors | Configurazione Configurations | Foto Pictures | Connettore Connector | Cross OE | Alt. OE | Istruzioni Instructions |
|------------------|----------------|----------------------------------|------------------|-------------------------|----------|---------|----------------------------|
|------------------|----------------|----------------------------------|------------------|-------------------------|----------|---------|----------------------------|

CR-V IV (RM_) 4 D 2012 -> 2016

| | | | | | | | |
|---------|--|--|--|---|--|------------------------------|--|
| 30/3136 | | | | | | 72251T1GE01 | |
| 30/3137 | | | | POWER WINDOW LEFT ALZACRISTALLI ELETTRICO SX | | 72211T1GE01 | |
| 30/3102 | | | | POWER WINDOW LEFT ALZACRISTALLI ELETTRICO SX | | 72750T0LM01* 72750T0TH01* | |
| 30/3103 | | | | | | 72710T0LM01* 72710T0TH01* | |

HR-V (GH) 2 D 1999 -> 2006


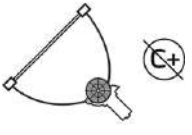





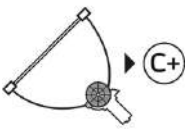



| | | | | | | | | |
|---------|-----|--|--|---|--|-------------|------------------------------|--|
| 30/2321 | RHD | | | POWER WINDOW LEFT ALZACRISTALLI ELETTRICO SX | | | 72255S2H003* 72251S30003* | |
| 30/2320 | | | | | | | 72211S30003* 72215S2H003* | |
| 30/1949 | | | | POWER WINDOW LEFT ALZACRISTALLI ELETTRICO SX | | 72251S30003 | | |
| 30/1948 | RHD | | | | | 72211S30003 | | |

HR-V (GH) 4 D 1999 -> 2006


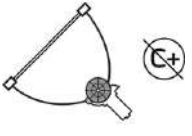





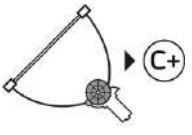




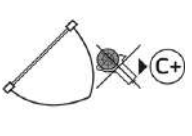





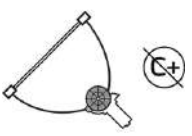




| | | | | | | | | |
|---------|-----|--|--|---|--|-------------|------------------------------|--|
| 30/2323 | RHD | | | POWER WINDOW LEFT ALZACRISTALLI ELETTRICO SX | | | 72251S4N003* 72211S4N003 | |
| 30/2322 | | | | | | | 72211S4N003* 72215S4NG01* | |
| 30/1951 | | | | POWER WINDOW LEFT ALZACRISTALLI ELETTRICO SX | | 72251S4N003 | | |
| 30/1950 | RHD | | | | | 72211S4N003 | | |
| 30/2325 | | | | POWER WINDOW LEFT ALZACRISTALLI ELETTRICO SX | | | 72751S4N003* 72755S4N003* | |
| 30/2324 | | | | | | | 72711S4N003* 72715S4N003* | |

| Modello Model | Porte Doors | Configurazione Configurations | Foto Pictures | Connettore Connector | Cross OE | Alt. OE | Istruzioni Instructions |
|------------------|----------------|----------------------------------|------------------|-------------------------|----------|---------|----------------------------|
|------------------|----------------|----------------------------------|------------------|-------------------------|----------|---------|----------------------------|

JAZZ II (GD_, GE3) 4 D 2001 -> 2008

| | | | | | | | |
|---------|-----|---|---|---|--|-------------|---|
| 30/7424 | RHD |  |  |  |  | 72250SAAJ02 |  |
| 30/1268 | |  | | | | 72210SAAG01 | |
| 30/1269 | RHD |  |  |  |  | 72250SAAG01 | |
| 30/7104 | |  | | | | 72210SAAJ02 | |

JAZZ III (GE_, GG_, GP_) 4 D 2007 ->


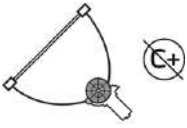




| | | | | | | | |
|---------|-----|---|---|---|--|--------------|---|
| 30/7108 | RHD |  |  |  |  | 72250TF0003 |  |
| 30/7106 | |  | | | | 72210TF0G01 | |
| 30/7105 | RHD |  |  |  |  | 72250TF0G01 | |
| 30/7107 | |  | | | | 72210TF0003 | |
| 30/1619 | |  |  |  |  | 72250TF0G01* |  |
| 30/1618 | |  | | | | 72210TF0003* | |
| 30/7109 | |  |  |  |  | 72750TF0003 |  |
| 30/7110 | |  | | | | 72710TF0003 | |

PRELUDE V (BB_) 2 D 1996 -> 2001

| | | | | | | | |
|---------|-----|---|---|---|--|--------------|---|
| 30/2321 | RHD |  |  |  |  | 72255S2H003* |  |
| 30/2320 | |  | | | | 72211S30003* | |
| | | | | | | 72215S2H003* | |

| Modello Model | Porte Doors | Configurazione Configurations | Foto Pictures | Connettore Connector | Cross OE | Alt. OE | Istruzioni Instructions |
|------------------|----------------|----------------------------------|------------------|-------------------------|----------|---------|----------------------------|
|------------------|----------------|----------------------------------|------------------|-------------------------|----------|---------|----------------------------|

ACCENT I (X-3) 2 D 1994 -> 2002

| | | | | | | | |
|---------|---|---|--|--|--|---|---|
| 30/7117 |  |  |  <small>POWER WINDOW LEFT ALZACRISTALLI ELETTRICO SX</small> |  | | 8240122200* 8240322210* 9881034010* |  |
| 30/7118 |  | | | | | 8240422210* 8240422220* 9882034010* | |


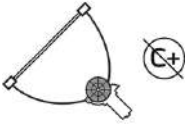





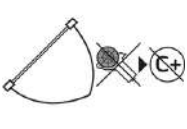





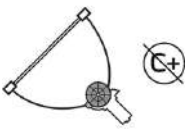




ACCENT I (X-3) 4 D 1994 -> 2002

| | | | | | | | |
|---------|---|---|--|--|--|--|---|
| 30/7119 |  |  |  <small>POWER WINDOW LEFT ALZACRISTALLI ELETTRICO SX</small> |  | | 8240122000* 8240322010* 9881034030* 8240222000 |  |
| 30/7120 |  | | | | | 8240222000* 8240422010* 9882002100* 9882034030* | |

ACCENT II (LC) 2 D 1999 -> 2012


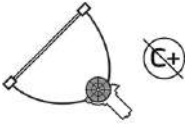





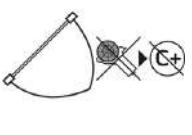



| | | | | | | | |
|---------|---|--|--|---|--|---|--|
| 30/7111 |  |  |  <small>POWER WINDOW RIGHT ALZACRISTALLI ELETTRICO DX</small> |  | | 8240122000* 8240325210* 9881034030* |  |
| 30/7112 |  | | | | | 8240222000* 8240425210* 9882034030* | |

ACCENT II (LC) 4 D 1999 -> 2012


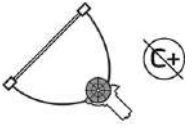





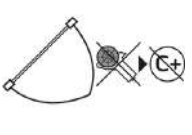



| | | | | | | | |
|---------|---|---|--|--|------------|---|---|
| 30/7113 |  |  |  <small>POWER WINDOW LEFT ALZACRISTALLI ELETTRICO SX</small> |  | | 8240325010* 9881025100* |  |
| 30/7114 |  | | | | | 8240425010* 9882025100* | |
| 30/2592 |  |  |  <small>POWER WINDOW LEFT ALZACRISTALLI ELETTRICO SX</small> |  | 8240325010 | |  |
| 30/2591 |  | | | | 8240425010 | | |
| 30/7115 |  |  |  <small>POWER WINDOW LEFT ALZACRISTALLI ELETTRICO SX</small> |  | | 8340125000* 8340325010* 9881025100* |  |
| 30/7116 |  | | | | | 8340225000* 8340425010* 9882025100* | |

| Modello Model | Porte Doors | Configurazione Configurations | Foto Pictures | Connettore Connector | Cross OE | Alt. OE | Istruzioni Instructions |
|------------------|----------------|----------------------------------|------------------|-------------------------|----------|---------|----------------------------|
|------------------|----------------|----------------------------------|------------------|-------------------------|----------|---------|----------------------------|

ACCENT III (MC) 4 D 2005 -> 2010

| | | | | | | | |
|---------|---|---|---|--|------------|--|---|
| 30/2562 |  |  |  |  | | 824010N010* 824011G010* 988101E100* 988101G100* |  |
| 30/2561 |  | | | | | 824020N010* 824021G010* 988201E100* 988201G100* | |
| 30/2564 |  |  |  | | 824010N010 | |  |
| 30/2563 |  | | | | 824021G010 | | |

ATOS (MX) 4 D 1997 -> 2015

| | | | | | | | |
|---------|---|---|---|---|--------------------------|--|---|
| 30/1476 |  |  |  |  | | 8240302000* 8240302010* 9881002100* 8240402000 |  |
| 30/1475 |  | | | | | 8240402000* 8240402010* 9882002100* 9882034030* | |
| 30/1931 |  |  |  | | 8240302000 8240302010 | |  |
| 30/1930 |  | | | | 8240402000 8240402010 | | |

COUPE II (GK) 2 D 2001 -> 2012

| | | | | | | | |
|---------|---|---|---|--|--|----------------------------|---|
| 30/1478 |  |  |  |  | | 824032C000* 824502C000* |  |
| 30/1477 |  | | | | | 824042C000* 824602C000* | |

GALLOPER II (JK-01) 2 D 1997 -> 2003




| | | | | | | | |
|---------|---|---|---|--|--|--|---|
| 30/7121 |  |  |  |  | | HG040001* HK778110* HR514010* MB171249* |  |
| 30/7122 |  | | | | | HG040002* HK778120* HR514020* MB171250* | |

| Modello Model | Porte Doors | Configurazione Configurations | Foto Pictures | Connettore Connector | Cross OE | Alt. OE | Istruzioni Instructions |
|------------------|----------------|----------------------------------|------------------|-------------------------|----------|---------|----------------------------|
|------------------|----------------|----------------------------------|------------------|-------------------------|----------|---------|----------------------------|

GALLOPER II (JK-01) 4 D 1997 -> 2003

| | | | | | | | |
|---------|---|---|---|--|--|--|---|
| 30/7121 |  |  |  |  | | HG040001* HK778110* HR514010* MB171249* |  |
| 30/7122 |  | |  | | | HG040002* HK778120* HR514020* MB171250* | |


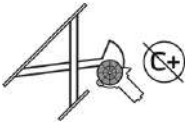





GETZ (TB) 4 D 2001 -> 2011

| | | | | | | | |
|---------|---|--|---|---|--|---|--|
| 30/1843 |  |  |  |  | | 824031C010* 988101C100* 988101C300* |  |
| 30/1842 |  | |  | | | 824041C010* 988201C100* 988201C300* | |
| 30/2217 |  |  |  |  | | 834031C010* 988101C200* |  |
| 30/2216 |  | |  | | | 834041C010* 988201C200* | |

H-1 FURGONATO (A1) 2 D 1997 -> 2008

| | | | | | | | |
|---------|---|---|---|--|------------|--|---|
| 30/7123 |  |  |  |  | 824014A010 | |  |
| 30/7124 |  | |  | | 824024A010 | | |

H100 2 D 1993 -> 2004

| | | | | | | | |
|---------|---|---|---|--|--|--|---|
| 30/7125 |  |  |  |  | | 824074B010* 8243043010* 8243043011* 9880043001* |  |
| 30/7126 |  | |  | | | 824084B010* 8244043010* 8244043011* 9890043001* | |

I10 I (PA) 4 D 2007 -> 2018

















| | | | | | | | |
|---------|---|---|---|--|--|----------------------------|---|
| 30/1621 |  |  |  |  | | 824030X010* 988100X100* |  |
| 30/1620 |  | |  | | | 824040X010* 988200X100* | |

| Modello Model | Porte Doors | Configurazione Configurations | Foto Pictures | Connettore Connector | Cross OE | Alt. OE | Istruzioni Instructions |
|------------------|----------------|----------------------------------|------------------|-------------------------|----------|---------|----------------------------|
|------------------|----------------|----------------------------------|------------------|-------------------------|----------|---------|----------------------------|













I10 I (PA) 4 D 2007 -> 2018

| | | | | | | | |
|---------|---|---|---|--|------------|--|---|
| 30/2728 |  |  |  POWER WINDOW RIGHT ALZACRISTALLI ELETTRICO DESTRO | | 824030X010 | |  |
| 30/2727 |  | | | | 824030X010 | | |

I10 II (BA, IA) 4 D 2013 -> 2021












| | | | | | | | |
|---------|---|---|--|--|--------------------------|---|---|
| 30/2327 |  |  |  POWER WINDOW RIGHT ALZACRISTALLI ELETTRICI DESTRO |  | | 82403B4010* 82403B4110* 82450B4000* |  |
| 30/2326 |  | | | | | 82404B4010* 82404B4110* 82460B4000* | |
| 30/2459 |  |  |  POWER WINDOW RIGHT ALZACRISTALLI ELETTRICI DESTRO | | 82403B4010 82403B4110 | |  |
| 30/2458 |  | | | | 82404B4010 82404B4110 | | |
| 30/3018 |  |  |  POWER WINDOW LEFT ALZACRISTALLI ELETTRICI SINISTRO | | 83403B9010 | |  |
| 30/3017 |  | | | | 83404B9010 | | |

I20 I (PB, PBT) 4 D 2008 -> 2015

| | | | | | | | |
|---------|---|---|--|--|--|----------------------------|---|
| 30/1623 |  |  |  POWER WINDOW LEFT ALZACRISTALLI ELETTRICI SINISTRO |  | | 824031J010* 988101J110* |  |
| 30/1622 |  | | | | | 824041J010* 988201J100* | |
| 30/7127 |  |  |  POWER WINDOW LEFT ALZACRISTALLI ELETTRICI SINISTRO |  | | 834031J010* 988101J100* |  |
| 30/7128 |  | | | | | 834041J010* 988201J100* | |

| Modello Model | Porte Doors | Configurazione Configurations | Foto Pictures | Connettore Connector | Cross OE | Alt. OE | Istruzioni Instructions |
|------------------|----------------|----------------------------------|------------------|-------------------------|----------|---------|----------------------------|
|------------------|----------------|----------------------------------|------------------|-------------------------|----------|---------|----------------------------|











I20 II (GB) 4 D 2014 -> 2021

| | | | | | | | |
|---------|---|---|---|--|------------|--|---|
| 30/2369 |  |  |  | | 82403C7010 | |  |
| 30/2368 |  | | | | 82404C7010 | | |
| 30/2371 |  |  |  | | 83403C7010 | |  |
| 30/2370 |  | |  | | 83404C7010 | | |







I30 (FD) 4 D 2007 -> 2012

| | | | | | | | |
|---------|--|--|--|--|------------|--|--|
| 30/1629 |  |  |  | | 834712L010 | |  |
| 30/1628 |  | | | | 834812L010 | | |

I30 (FD) MADE IN CZECH REPUBLIC 4 D 2007 -> 2012

| | | | | | | | |
|---------|---|---|---|--|--------------------------|--|---|
| 30/1627 |  |  |  | | 824712L000 824712R000 | |  |
| 30/1626 |  | | | | 824812L000 824812R000 | | |
| 30/1629 |  |  |  | | 834712L010 | |  |
| 30/1628 |  | | | | 834812L010 | | |

I30 (FD) MADE IN SOUTH KOREA 4 D 2007 -> 2012







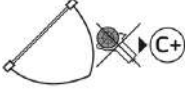



| | | | | | | | |
|---------|---|---|---|--|------------|--|---|
| 30/1919 |  |  |  | | 824712L001 | |  |
| 30/1918 |  | |  | | 824812L001 | | |

| Modello Model | Porte Doors | Configurazione Configurations | Foto Pictures | Connettore Connector | Cross OE | Alt. OE | Istruzioni Instructions |
|------------------|----------------|----------------------------------|------------------|-------------------------|----------|---------|----------------------------|
|------------------|----------------|----------------------------------|------------------|-------------------------|----------|---------|----------------------------|







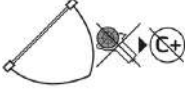



I30 (FD) MADE IN SOUTH KOREA 4 D 2007 -> 2012

| | | | | | | | |
|---------|---|---|---|--|------------|--|---|
| 30/1629 |  |  |  | | 834712L010 | |  |
| 30/1628 |  | | | | 834812L010 | | |

I30 STATION WAGON (FD) 4 D 2007 -> 2012

| | | | | | | | |
|---------|---|--|--|--|--------------------------|--|--|
| 30/1627 |  |  |  | | 824712L000 824712R000 | |  |
| 30/1626 |  | | | | 824812L000 824812R000 | | |
| 30/1629 |  |  |  | | 834712L010 | |  |
| 30/1628 |  | | | | 834812L010 | | |

IX20 (JC) 4 D 2010 -> 2019

| | | | | | | | |
|---------|---|---|---|--|----------------------------|--|---|
| 30/1865 |  |  |  A POWER WINDOW LEFT ALJACRISTALI HETTERKOKAN | | 824011P000* 824711K000* | |  |
| 30/1864 |  | | | | 824021P000* 824811K000* | | |
| 30/1867 |  |  |  A | | 834011P010 | |  |
| 30/1866 |  | | | | 834021P010 | | |

IX35 (LM, EL, ELH) 4 D 2009 -> 2016

| | | | | | | | |
|---------|---|---|--|--|-------------|--|---|
| 30/2215 |  |  |  A POWER WINDOW RIGHT ALJACRISTALI HETTERKOKAN | | 824012Y000* | |  |
| 30/2214 |  | | | | 824022Y000* | | |

| Modello Model | Porte Doors | Configurazione Configurations | Foto Pictures | Connettore Connector | Cross OE | Alt. OE | Istruzioni Instructions |
|------------------|----------------|----------------------------------|------------------|-------------------------|----------|---------|----------------------------|
|------------------|----------------|----------------------------------|------------------|-------------------------|----------|---------|----------------------------|

IX35 (LM, EL, ELH) 4 D 2009 -> 2016

| | | | | | | | |
|---------|--|--|--|--|------------|----------------------------|--|
| 30/2201 | | | | | | 834012Y000* 834502S000* | |
| 30/2200 | | | | | | 834022Y000* 834602S000* | |
| 30/2199 | | | | | 834012Y000 | | |
| 30/2198 | | | | | 834022Y000 | | |

KONA (OS, OSE, OSI) 4 D 2017 -> 2023

| | | | | | | | |
|---------|--|--|--|--|------------|----------------------------|--|
| 30/2880 | | | | | | 82450J9000* 82403J9000* | |
| 30/2879 | | | | | | 82460J9000* 82404J9000* | |
| 30/2782 | | | | | 82403J9000 | | |
| 30/2781 | | | | | 82404J9000 | | |
| 30/2882 | | | | | | 82450J9000* 83403J9000* | |
| 30/2881 | | | | | | 82460J9000* 83404J9000* | |
| 30/2940 | | | | | 83403J9000 | | |
| 30/2939 | | | | | 83404J9000 | | |

LANTRA II (J-2) 4 D 1995 -> 2002

| | | | | | | | |
|---------|--|--|--|--|--|--|--|
| 30/7129 | | | | | | 8240329010* 8240329011* 8240329012* 9881029010* | |
| 30/7130 | | | | | | 8240429010* 8240429011* 8240429012* 9882029010* | |

| Modello Model | Porte Doors | Configurazione Configurations | Foto Pictures | Connettore Connector | Cross OE | Alt. OE | Istruzioni Instructions |
|------------------|----------------|----------------------------------|------------------|-------------------------|----------|---------|----------------------------|
|------------------|----------------|----------------------------------|------------------|-------------------------|----------|---------|----------------------------|

LANTRA II (J-2) 4 D 1995 -> 2002

| | | | | | | | |
|---------|--|--|--|--|--|--|--|
| 30/7131 | | | | | | 8340129000* 8340329010* 8340329011* 9881029000* | |
| 30/7132 | | | | | | 8340229000* 8340429010* 8340429011* 9882029000* | |

MATRIX (FC) 4 D 2001 -> 2010

| | | | | | | | |
|---------|--|--|--|--|------------|-------------|--|
| 30/3114 | | | | | 8240317010 | | |
| 30/3115 | | | | | 8240417010 | | |
| 30/3068 | | | | | | 8340317010* | |
| 30/3067 | | | | | | 8340417010* | |
| 30/3066 | | | | | 8340317010 | | |
| 30/3065 | | | | | 8340417010 | | |

SANTA FE II (CM) 4 D 2005 -> 2015

| | | | | | | | |
|---------|-----|--|--|--|--|---|--|
| 30/1625 | RHD | | | | | 824502B000* 824712B000* 824712B000AS * | |
| 30/1624 | | | | | | 824602B000* 824812B000* 824812B000AS * | |
| 30/1631 | | | | | | 824712B000 824712B000AS | |
| 30/1630 | RHD | | | | | 824812B000 824812B000AS | |
| 30/7133 | | | | | | 834502B000* 834712B000* | |
| 30/7134 | | | | | | 834602B000* 834812B000* | |

| Modello Model | Porte Doors | Configurazione Configurations | Foto Pictures | Connettore Connector | Cross OE | Alt. OE | Istruzioni Instructions |
|------------------|----------------|----------------------------------|------------------|-------------------------|----------|---------|----------------------------|
|------------------|----------------|----------------------------------|------------------|-------------------------|----------|---------|----------------------------|

SANTA FE II (CM) 4 D 2005 -> 2015

| | | | | | | | |
|---------|--|--|--|--|------------|--|--|
| 30/1633 | | | | | 834712B000 | | |
| 30/1632 | | | | | 834812B000 | | |

TUCSON (JM) 4 D 2004 -> 2019


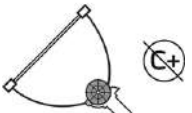









| | | | | | | | |
|---------|--|--|---|--|------------|--|--|
| 30/2968 | | | | | 824052E000 | | |
| 30/2969 | | | <small>POWER WINDOW LEFT ALZACRISTALLI ELETTRICO SX</small> | | 824062E000 | | |
| 30/2988 | | | | | 834052E000 | | |
| 30/2987 | | | <small>POWER WINDOW LEFT ALZACRISTALLI ELETTRICO SX</small> | | 834062E000 | | |

| Modello Model | Porte Doors | Configurazione Configurations | Foto Pictures | Connettore Connector | Cross OE | Alt. OE | Istruzioni Instructions |
|------------------|----------------|----------------------------------|------------------|-------------------------|----------|---------|----------------------------|
|------------------|----------------|----------------------------------|------------------|-------------------------|----------|---------|----------------------------|

1000 4 D 1983 -> 2013

| | | | | | | | |
|--------|---|---|---|--|--|--|---|
| 30/872 |  |  |  |  | 5956511 7524176 7525368 7688557 | |  |
| 30/871 |  | | | | 5956510 7524175 7525367 7688556 | | |

ELBA (146) 4 D 1983 -> 2013










| | | | | | | | |
|---------|---|--|--|--|---|--|--|
| 30/872 |  |  |  |  | 5956511 7524176 7525368 7688557 | |  |
| 30/871 |  | | | | 5956510 7524175 7525367 7688556 | | |
| 30/197B |  |  |  | | 7516768 7591108 7603362 50003667 | |  |
| 30/197 |  | | | | 7516767 7591107 7603361 50003666 | | |

| Modello Model | Porte Doors | Configurazione Configurations | Foto Pictures | Connettore Connector | Cross OE | Alt. OE | Istruzioni Instructions |
|------------------|----------------|----------------------------------|------------------|-------------------------|----------|---------|----------------------------|
|------------------|----------------|----------------------------------|------------------|-------------------------|----------|---------|----------------------------|

AMIGO 2 D 1991 ->

| | | | | | | | |
|---------|---|---|---|--|--|--|---|
| 30/7135 |  |  |  |  | 140007 91144857 8970935320 8971658820 | |  |
| 30/7136 |  | | | | 140008 91144856 8970935310 8971658810 | | |

D-MAX II (TFR, TFS) 4 D 2012 ->

| | | | | | | | |
|---------|--|--|---|--|--------------------------|--|--|
| 30/3148 |  |  |  POWER WINDOW ALZACRISTALLI ELETTRICO | | 8980935561 8980935531 | |  |
| 30/3142 |  |  |  POWER WINDOW LEFT ALZACRISTALLI ELETTRICO SX | | 8981670900 | | |
| 30/3143 |  | | | | 8981670890 | |  |


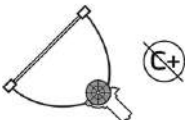




F SERIES 2 D 1998 ->

| | | | | | | | |
|---------|---|---|---|--|--|--|---|
| 30/7137 |  |  |  |  | | |  |
| 30/7138 |  | | | | | | |

N (5TH GENERATION) / N (6TH GENERATION) 2 D 1992 ->


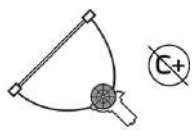





| | | | | | | | |
|---------|---|---|---|--|--|--|---|
| 30/7137 |  |  |  |  | | |  |
| 30/7138 |  | | | | | | |

NPR / NKR 2 D 1998 -> 2008

| | | | | | | | |
|---------|---|---|---|--|------------|--|---|
| 30/2329 |  |  |  |  | 8978681142 | |  |
| 30/2328 |  | | | | 8978681132 | | |

| Modello Model | Porte Doors | Configurazione Configurations | Foto Pictures | Connettore Connector | Cross OE | Alt. OE | Istruzioni Instructions |
|------------------|----------------|----------------------------------|------------------|-------------------------|----------|---------|----------------------------|
|------------------|----------------|----------------------------------|------------------|-------------------------|----------|---------|----------------------------|

NQR 2 D 1998 -> 2008

| | | | | | | | |
|---------|---|---|---|--|------------|--|---|
| 30/2329 |  |  |  |  | 8978681142 | |  |
| 30/2328 |  | |  | | 8978681132 | | |

RODEO 2 D 1991 -> 2004


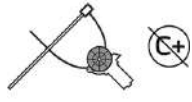
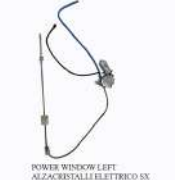








| | | | | | | | |
|---------|---|---|---|--|--|--|---|
| 30/7135 |  |  |  |  | 140007 91144857 8970935320 8971658820 | |  |
| 30/7136 |  | |  | | 140008 91144856 8970935310 8971658810 | | |

RODEO 4 D 1991 -> 2004







| | | | | | | | |
|---------|---|--|---|---|--|--|--|
| 30/7135 |  |  |  |  | 140007 91144857 8970935320 8971658820 | |  |
| 30/7136 |  | |  | | 140008 91144856 8970935310 8971658810 | | |

| Modello Model | Porte Doors | Configurazione Configurations | Foto Pictures | Connettore Connector | Cross OE | Alt. OE | Istruzioni Instructions |
|------------------|----------------|----------------------------------|------------------|-------------------------|----------|---------|----------------------------|
|------------------|----------------|----------------------------------|------------------|-------------------------|----------|---------|----------------------------|


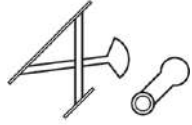






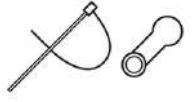



ASTRA HD7 2 D 1996 -> 2001

| | | | | | | | |
|---------|---|---|---|--|----------|--|---|
| 30/7139 |  |  |  |  | 98171182 | |  |
| 30/7140 |  | | <small>PORTA WINDOW LEFT ALZACRISTALLI ELETTRICO SX</small> | | 98171181 | | |
| 30/237B |  |  |  | | 98171179 | |  |
| 30/237 |  | | | | 98171178 | | |

ASTRA HD8 2 D 2005 ->



































| | | | | | | | |
|---------|---|--|--|---|-----------|--|--|
| 30/7141 |  |  |  |  | 500411309 | |  |
| 30/7142 |  | | | | 500411310 | | |

DAILY I 2 D 1978 -> 1998







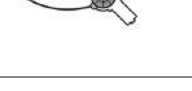




















| | | | | | | | |
|---------|---|---|---|--|---------------------|--|---|
| 30/138 |  |  |  | | 93901001 | |  |
| 30/146B |  |  |  | | 2997181 93908382 | |  |
| 30/146 |  | | | | 2997182 93908381 | | |
| 30/139B |  |  |  | | 93902695 | |  |
| 30/139 |  | | | | 93902694 | | |

| Modello Model | Porte Doors | Configurazione Configurations | Foto Pictures | Connettore Connector | Cross OE | Alt. OE | Istruzioni Instructions |
|------------------|----------------|----------------------------------|------------------|-------------------------|----------|---------|----------------------------|
|------------------|----------------|----------------------------------|------------------|-------------------------|----------|---------|----------------------------|

DAILY II 2 D 1989 -> 1999











| | | | | | | | |
|---------|---|---|---|--|--|--|---|
| 30/752 |  |  |  POWER WINDOW LEFT ALZACRISTALLI ELETTRICO |  | 2997194 4856064 99485358 | |  |
| 30/751 |  |  |  POWER WINDOW LEFT ALZACRISTALLI ELETTRICO | | 2997193 4856063 99485357 | |  |
| 30/1006 |  |  |  POWER WINDOW LEFT ALZACRISTALLI ELETTRICO |  | 2997194 4856064 99485358 7700352494 | |  |
| 30/1005 |  |  |  POWER WINDOW LEFT ALZACRISTALLI ELETTRICO | | 2997193 4856063 99485357 7700352495 | |  |
| 30/208B |  |  |  | | 2997184 4401254 4500490 9160790 | |  |
| 30/208 |  |  |  | | 2997183 4401257 4500491 9160791 | |  |
| 30/179B |  |  |  | | 2997184 93926735 93941271 503474353 | |  |
| 30/179 |  |  |  | | 2997183 93926734 93941270 503474354 | |  |

DAILY III - S2000 2 D 1999 -> 2009


























| | | | | | | | |
|----------|---|---|--|--|---|--|---|
| 30/3016 |  |  |  POWER WINDOW LEFT ALZACRISTALLI ELETTRICO SX |  | 4416295 93186237 8200162708 504173868 | |  |
| 30/3015 |  |  |  POWER WINDOW LEFT ALZACRISTALLI ELETTRICO SX | | 93186238 8200162710 504173866 5801482026 | |  |
| 30/1006 |  |  |  POWER WINDOW LEFT ALZACRISTALLI ELETTRICO |  | 2997194 4856064 99485358 7700352494 | |  |
| 30/1005 |  |  |  POWER WINDOW LEFT ALZACRISTALLI ELETTRICO | | 2997193 4856063 99485357 7700352495 | |  |
| 30/1006C |  |  |  POWER WINDOW LEFT ALZACRISTALLI ELETTRICO SX |  | 42565949 42574134 504335520 504356352 | |  |
| 30/1005C |  |  |  POWER WINDOW LEFT ALZACRISTALLI ELETTRICO SX | | 42565948 42574133 42574135 504335512 | |  |

| Modello Model | Porte Doors | Configurazione Configurations | Foto Pictures | Connettore Connector | Cross OE | Alt. OE | Istruzioni Instructions |
|------------------|----------------|----------------------------------|------------------|-------------------------|----------|---------|----------------------------|
|------------------|----------------|----------------------------------|------------------|-------------------------|----------|---------|----------------------------|

DAILY III - S2000 2 D 1999 -> 2009

| | | | | | | | |
|---------|--|---|---|--|--|--|---|
| 30/208B |  |  |  | | 2997184 4401254 4500490 9160790 | |  |
| 30/208 |  | | | | 2997183 4401257 4500491 9160791 | | |
| 30/1671 |  |  |  | | | 42565949* 42574134* 504335520* 504356352* |  |
| 30/1670 |  | |  <small>POWER WINDOW LEFT ALZACRISTALLI ELETTRICO SX</small> | | | 43574133* 42565948* 42574133* 42574135* | |
| 30/1793 |  |  |  | | | 4416295* 5801529324* 5801901053* 8200162708* |  |
| 30/1792 |  | |  <small>POWER WINDOW LEFT ALZACRISTALLI ELETTRICO SX</small> | | | 5801528511* 5801901052* 8200162710* 93186238* | |

DAILY IV - S 2 D 2006 -> 2012








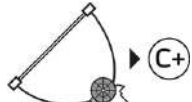










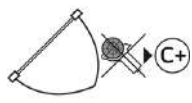




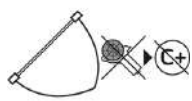



| | | | | | | | |
|----------|---|---|--|--|---|--|---|
| 30/3016 |  |  |  |  | 4416295 93186237 8200162708 504173868 | |  |
| 30/3015 |  | |  <small>POWER WINDOW LEFT ALZACRISTALLI ELETTRICO SX</small> |  | 93186238 8200162710 504173866 5801482026 | | |
| 30/1006C |  |  |  |  | 42565949 42574134 504335520 504356352 | |  |
| 30/1005C |  | |  <small>POWER WINDOW LEFT ALZACRISTALLI ELETTRICO SX</small> | | 42565948 42574133 42574135 504335512 | | |
| 30/208B |  |  |  | | 2997184 4401254 4500490 9160790 | |  |
| 30/208 |  | | | | 2997183 4401257 4500491 9160791 | | |
| 30/1671 |  |  |  | | | 42565949* 42574134* 504335520* 504356352* |  |
| 30/1670 |  | |  <small>POWER WINDOW LEFT ALZACRISTALLI ELETTRICO SX</small> | | | 43574133* 42565948* 42574133* 42574135* | |

| Modello Model | Porte Doors | Configurazione Configurations | Foto Pictures | Connettore Connector | Cross OE | Alt. OE | Istruzioni Instructions |
|------------------|----------------|----------------------------------|------------------|-------------------------|----------|---------|----------------------------|
|------------------|----------------|----------------------------------|------------------|-------------------------|----------|---------|----------------------------|

DAILY IV - S 2 D 2006 -> 2012

| | | | | | | | |
|---------|---|---|--|--|--|--|---|
| 30/1793 |  |  |  <small>POWER WINDOW LEFT ALZACRISTALLI ELETTRICO SX</small> | | | 4416295* 5801529324* 5801901053* 8200162708* |  |
| 30/1792 |  | | | | | 5801528511* 5801901052* 8200162710* 93186238* | |

DAILY IV - V 2 D 2006 -> 2012


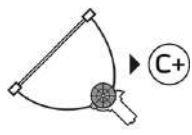




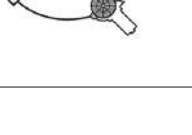



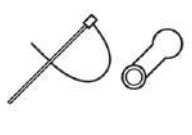







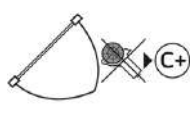







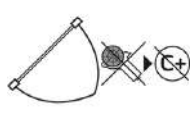






| | | | | | | | |
|----------|---|---|--|---|---|--|---|
| 30/3016 |  |  |  <small>POWER WINDOW LEFT ALZACRISTALLI ELETTRICO SX</small> |  | 4416295 93186237 8200162708 504173868 | |  |
| 30/3015 |  | | | | 93186238 8200162710 504173866 5801482026 | | |
| 30/1006C |  |  |  <small>POWER WINDOW LEFT ALZACRISTALLI ELETTRICO SX</small> |  | 42565949 42574134 504335520 504356352 | |  |
| 30/1005C |  | | | | 42565948 42574133 42574135 504335512 | | |
| 30/208B |  |  |  | | 2997184 4401254 4500490 9160790 | |  |
| 30/208 |  | | | | 2997183 4401257 4500491 9160791 | | |
| 30/1671 |  |  |  <small>POWER WINDOW LEFT ALZACRISTALLI ELETTRICO SX</small> | | | 42565949* 42574134* 504335520* 504356352* |  |
| 30/1670 |  | | | | | 43574133* 42565948* 42574133* 42574135* | |
| 30/1793 |  |  |  <small>POWER WINDOW LEFT ALZACRISTALLI ELETTRICO SX</small> | | | 4416295* 5801529324* 5801901053* 8200162708* |  |
| 30/1792 |  | | | | | 5801528511* 5801901052* 8200162710* 93186238* | |

DAILY IV- C 2 D 2006 -> 2012





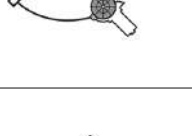


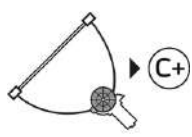






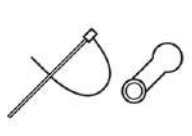



| | | | | | | | |
|---------|---|---|--|--|---|--|---|
| 30/3016 |  |  |  <small>POWER WINDOW LEFT ALZACRISTALLI ELETTRICO SX</small> |  | 4416295 93186237 8200162708 504173868 | |  |
| 30/3015 |  | | | | 93186238 8200162710 504173866 5801482026 | | |

| Modello Model | Porte Doors | Configurazione Configurations | Foto Pictures | Connettore Connector | Cross OE | Alt. OE | Istruzioni Instructions |
|------------------|----------------|----------------------------------|------------------|-------------------------|----------|---------|----------------------------|
|------------------|----------------|----------------------------------|------------------|-------------------------|----------|---------|----------------------------|

DAILY IV- C 2 D 2006 -> 2012

| | | | | | | | |
|----------|---|---|--|--|--|--|---|
| 30/1006C |  |  |  |  | 42565949 42574134 504335520 504356352 | |  |
| 30/1005C |  |  |  <small>POWER WINDOW LEFT ALZACRISTALLI ELETTRICO SX</small> | | 42565948 42574133 42574135 504335512 | |  |
| 30/208B |  |  |  | | 2997184 4401254 4500490 9160790 | |  |
| 30/208 |  |  |  | | 2997183 4401257 4500491 9160791 | |  |
| 30/1671 |  |  |  | | | 42565949* 42574134* 504335520* 504356352* |  |
| 30/1670 |  |  |  | | | 43574133* 42565948* 42574133* 42574135* |  |
| 30/1793 |  |  |  | | | 4416295* 5801529324* 5801901053* 8200162708* |  |
| 30/1792 |  |  |  | | | 5801528511* 5801901052* 8200162710* 93186238* |  |

DAILY V 2 D 2011 -> 2014

| | | | | | | | |
|----------|---|---|---|--|---|--|---|
| 30/3016 |  |  |  |  | 4416295 93186237 8200162708 504173868 | |  |
| 30/3015 |  |  |  | | 93186238 8200162710 504173866 5801482026 | |  |
| 30/1006C |  |  |  |  | 42565949 42574134 504335520 504356352 | |  |
| 30/1005C |  |  |  | | 42565948 42574133 42574135 504335512 | |  |
| 30/208B |  |  |  | | 2997184 4401254 4500490 9160790 | |  |
| 30/208 |  |  |  | | 2997183 4401257 4500491 9160791 | |  |

| Modello Model | Porte Doors | Configurazione Configurations | Foto Pictures | Connettore Connector | Cross OE | Alt. OE | Istruzioni Instructions |
|------------------|----------------|----------------------------------|------------------|-------------------------|----------|---------|----------------------------|
|------------------|----------------|----------------------------------|------------------|-------------------------|----------|---------|----------------------------|

DAILY V 2 D 2011 -> 2014

| | | | | | | | |
|---------|--|--|--|--|--|--|--|
| 30/1671 | | | | | | 42565949* 42574134* 504335520* 504356352* | |
| 30/1670 | | | <small>POWER WINDOW LEFT ALZACRISTALLI ELETTRICI</small> | | | 43574133* 42565948* 42574133* 42574135* | |
| 30/1793 | | | | | | 4416295* 5801529324* 5801901053* 8200162708* | |
| 30/1792 | | | <small>POWER WINDOW LEFT ALZACRISTALLI ELETTRICI</small> | | | 5801528511* 5801901052* 8200162710* 93186238* | |

DAILY VI 2 D 2014 -> 2014

| | | | | | | | |
|---------|--|--|--|--|------------|--|--|
| 30/2924 | | | | | 5802578842 | | |
| 30/2923 | | | | | 5802578844 | | |

EUROCARGO I-III 2 D 1991 -> 2015

| | | | | | | | |
|---------|--|--|--|--|--|--|--|
| 30/749 | | | | | 504040989 5801324893 504040988 | | |
| 30/748 | | | <small>POWER WINDOW RIGHT ALZACRISTALLI ELETTRICI OX</small> | | 504040988 5801321873 5801324907 | | |
| 30/1567 | | | | | 2997196 98407722 99487781 | | |
| 30/1566 | | | <small>POWER WINDOW LEFT ALZACRISTALLI ELETTRICI OX</small> | | 2997195 98407721 99487780 | | |
| 30/186B | | | | | 2997186 98407740 98407744 504157967 | | |
| 30/186 | | | | | 2997185 98407741 98407743 504157966 | | |

| Modello Model | Porte Doors | Configurazione Configurations | Foto Pictures | Connettore Connector | Cross OE | Alt. OE | Istruzioni Instructions |
|------------------|----------------|----------------------------------|------------------|-------------------------|----------|---------|----------------------------|
|------------------|----------------|----------------------------------|------------------|-------------------------|----------|---------|----------------------------|

EUROCARGO IV 2 D 2013 ->

| | | | | | | | |
|--------|---|---|---|--|---------------------------------------|--|---|
| 30/749 |  |  |  <small>POWER WINDOW RIGHT ALZACRISTALLI ELETTRICO DX</small> |  | 504040989 5801324893 504040988 | |  |
| 30/748 |  |  |  <small>POWER WINDOW RIGHT ALZACRISTALLI ELETTRICO DX</small> |  | 504040988 5801321873 5801324907 | | |

EUROCARGO V 2 D 2015 ->

| | | | | | | | |
|--------|---|---|---|--|---------------------------------------|--|---|
| 30/749 |  |  |  <small>POWER WINDOW RIGHT ALZACRISTALLI ELETTRICO DX</small> |  | 504040989 5801324893 504040988 | |  |
| 30/748 |  |  |  <small>POWER WINDOW RIGHT ALZACRISTALLI ELETTRICO DX</small> |  | 504040988 5801321873 5801324907 | | |

EUROSTAR 2 D 1993 -> 2002












| | | | | | | | |
|---------|---|---|---|--|--|--|---|
| 30/749 |  |  |  <small>POWER WINDOW RIGHT ALZACRISTALLI ELETTRICO DX</small> |  | 504040989 5801324893 504040988 | |  |
| 30/748 |  |  |  <small>POWER WINDOW RIGHT ALZACRISTALLI ELETTRICO DX</small> |  | 504040988 5801321873 5801324907 | | |
| 30/1567 |  |  |  <small>POWER WINDOW LEFT ALZACRISTALLI ELETTRICO SX</small> |  | 2997196 98407722 99487781 | |  |
| 30/1566 |  |  |  <small>POWER WINDOW LEFT ALZACRISTALLI ELETTRICO SX</small> |  | 2997195 98407721 99487780 | | |
| 30/186B |  |  |  |  | 2997186 98407740 98407744 504157967 | |  |
| 30/186 |  |  |  |  | 2997185 98407741 98407743 504157966 | | |

EUROTECH MH-MP-MT 2 D 1992 ->


















| | | | | | | | |
|--------|---|---|---|--|---------------------------------------|--|---|
| 30/749 |  |  |  <small>POWER WINDOW RIGHT ALZACRISTALLI ELETTRICO DX</small> |  | 504040989 5801324893 504040988 | |  |
| 30/748 |  |  |  <small>POWER WINDOW RIGHT ALZACRISTALLI ELETTRICO DX</small> |  | 504040988 5801321873 5801324907 | | |

| Modello Model | Porte Doors | Configurazione Configurations | Foto Pictures | Connettore Connector | Cross OE | Alt. OE | Istruzioni Instructions |
|------------------|----------------|----------------------------------|------------------|-------------------------|----------|---------|----------------------------|
|------------------|----------------|----------------------------------|------------------|-------------------------|----------|---------|----------------------------|


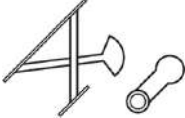







EUROTECH MH-MP-MT 2 D 1992 ->

| | | | | | | | |
|---------|---|---|--|--|--|--|---|
| 30/1567 |  |  |  <small>POWER WINDOW LEFT ALZACRISTALLI ELETTRICO SX</small> |  | 2997196 98407722 99487781 | |  |
| 30/1566 |  | | | | 2997195 98407721 99487780 | | |
| 30/186B |  |  |  | | 2997186 98407740 98407744 504157967 | |  |
| 30/186 |  | | | | 2997185 98407741 98407743 504157966 | | |

EUROTRAKKER 2 D 1993 -> 2006

| | | | | | | | |
|---------|---|---|--|--|--|--|---|
| 30/749 |  |  |  <small>POWER WINDOW RIGHT ALZACRISTALLI ELETTRICO DX</small> |  | 504040989 5801324893 504040988 | |  |
| 30/748 |  | | | | 504040988 5801321873 5801324907 | | |
| 30/1567 |  |  |  <small>POWER WINDOW LEFT ALZACRISTALLI ELETTRICO SX</small> |  | 2997196 98407722 99487781 | |  |
| 30/1566 |  | | | | 2997195 98407721 99487780 | | |
| 30/186B |  |  |  | | 2997186 98407740 98407744 504157967 | |  |
| 30/186 |  | | | | 2997185 98407741 98407743 504157966 | | |

GRINTA 2 D 1978 -> 2006


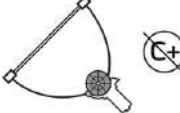









| | | | | | | | |
|---------|---|---|---|--|--|--|---|
| 30/138 |  |  |  | | 93901001 | |  |
| 30/179B |  |  |  | | 2997184 93926735 93941271 503474353 | |  |
| 30/179 |  | | | | 2997183 93926734 93941270 503474354 | | |

| Modello Model | Porte Doors | Configurazione Configurations | Foto Pictures | Connettore Connector | Cross OE | Alt. OE | Istruzioni Instructions |
|------------------|----------------|----------------------------------|------------------|-------------------------|----------|---------|----------------------------|
|------------------|----------------|----------------------------------|------------------|-------------------------|----------|---------|----------------------------|

GRINTA 2 D 1978 -> 2006

| | | | | | | | |
|---------|---|---|---|--|---------------------|--|---|
| 30/146B |  |  |  | | 2997181 93908382 | |  |
| 30/146 |  | | | | 2997182 93908381 | | |
| 30/139B |  |  |  | | 93902695 | |  |
| 30/139 |  | | | | 93902694 | | |

MAGIRUS 2 D 1970 -> 1983

| | | | | | | | |
|---------|---|---|---|--|--|--|---|
| 30/749 |  |  |  |  | 504040989 5801324893 504040988 | |  |
| 30/748 |  | | <small>POWER WINDOW RIGHT ALZACRISTALLI ELETTRICO 0X</small> | | 504040988 5801321873 5801324907 | | |
| 30/1567 |  |  |  |  | 2997196 98407722 99487781 | |  |
| 30/1566 |  | | <small>POWER WINDOW LEFT ALZACRISTALLI ELETTRICO 0X</small> | | 2997195 98407721 99487780 | | |
| 30/186B |  |  |  | | 2997186 98407740 98407744 504157967 | |  |
| 30/186 |  | | | | 2997185 98407741 98407743 504157966 | | |

OM 100 - 130 - 170 - 190 2 D 1967 -> 1989

| | | | | | | | |
|-------|---|---|---|--|---------|--|---|
| 30/70 |  |  |  | | 4644623 | |  |
| 30/69 |  | | | | 4644622 | | |

| Modello Model | Porte Doors | Configurazione Configurations | Foto Pictures | Connettore Connector | Cross OE | Alt. OE | Istruzioni Instructions |
|------------------|----------------|----------------------------------|------------------|-------------------------|----------|---------|----------------------------|
|------------------|----------------|----------------------------------|------------------|-------------------------|----------|---------|----------------------------|

OM 190 NC 2 D 1967 -> 1989

| | | | | | | | |
|-------|--|--|--|--|---------|--|--|
| 30/70 | | | | | 4644623 | | |
| 30/69 | | | | | 4644622 | | |

OM 300 P 2 D 1967 -> 1989

| | | | | | | | |
|---------|--|--|--|--|---------------------------------|--|--|
| 30/185B | | | | | 2997175 4817019 2997174 | | |
| 30/185 | | | | | 2997174 4817018 503474164 | | |

| | | | | | | | |
|-------|--|--|--|--|---------|--|--|
| 30/70 | | | | | 4644623 | | |
| 30/69 | | | | | 4644622 | | |

OM 50 NC - 100 NC 2 D 1967 -> 1989

| | | | | | | | |
|-------|--|--|--|--|--------------------|--|--|
| 30/90 | | | | | 2997180 9052882 | | |
| 30/89 | | | | | 2997208 9052881 | | |

OM 619 2 D 1967 -> 1989













| | | | | | | | |
|-------|--|--|--|--|---------|--|--|
| 30/70 | | | | | 4644623 | | |
| 30/69 | | | | | 4644622 | | |

OM 684 - 690 - 691 - 693 - 697 2 D 1967 -> 1989

| | | | | | | | |
|-------|--|--|--|--|---------|--|--|
| 30/70 | | | | | 4644623 | | |
| 30/69 | | | | | 4644622 | | |

| Modello Model | Porte Doors | Configurazione Configurations | Foto Pictures | Connettore Connector | Cross OE | Alt. OE | Istruzioni Instructions |
|------------------|----------------|----------------------------------|------------------|-------------------------|----------|---------|----------------------------|
|------------------|----------------|----------------------------------|------------------|-------------------------|----------|---------|----------------------------|

S SERIE 2 D 1989 ->

| | | | | | | | |
|---------|---|---|---|--|--|--|---|
| 30/752 |  |  |  |  | 2997194 4856064 99485358 | |  |
| 30/751 |  | |  | | 2997193 4856063 99485357 | | |
| 30/179B |  |  |  | | 2997184 93926735 93941271 503474353 | |  |
| 30/179 |  | | | | 2997183 93926734 93941270 503474354 | | |















S-WAY 2 D 2019 ->

| | | | | | | | |
|---------|--|--|---|--|------------|--|--|
| 30/3072 |  |  |  | | 5802487606 | |  |
| 30/3071 |  |  |  | | 5802487660 | | |

SERIE Z 2 D 1989 ->

| | | | | | | | |
|-------|---|---|---|--|--------------------|--|---|
| 30/90 |  |  |  | | 2997180 9052882 | |  |
| 30/89 |  | | | | 2997208 9052881 | | |

STRALIS 2 D 2002 -> 2013

| | | | | | | | |
|---------|---|---|---|--|---------------------------------------|--|---|
| 30/749 |  |  |  |  | 504040989 5801324893 504040988 | |  |
| 30/748 |  | |  | | 504040988 5801321873 5801324907 | | |
| 30/1567 |  |  |  |  | 2997196 98407722 99487781 | |  |
| 30/1566 |  | |  | | 2997195 98407721 99487780 | | |

| Modello Model | Porte Doors | Configurazione Configurations | Foto Pictures | Connettore Connector | Cross OE | Alt. OE | Istruzioni Instructions |
|------------------|----------------|----------------------------------|------------------|-------------------------|----------|---------|----------------------------|
|------------------|----------------|----------------------------------|------------------|-------------------------|----------|---------|----------------------------|


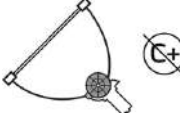





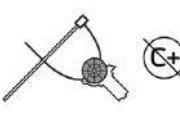




STRALIS 2 D 2002 -> 2013

| | | | | | | | |
|---------|---|---|---|--|--|--|---|
| 30/186B |  |  |  | | 2997186 98407740 98407744 504157967 | |  |
| 30/186 |  | | | | 2997185 98407741 98407743 504157966 | | |


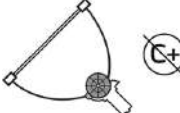





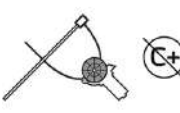




T-WAY 2 D 2021 ->

| | | | | | | | |
|---------|---|---|---|--|------------|--|---|
| 30/3072 |  |  |  | | 5802487606 | |  |
| 30/3071 |  | | | | 5802487660 | | |

TECTOR II 2 D 2012 -> 2018

| | | | | | | | |
|---------|---|---|---|--|---------------------------------------|--|---|
| 30/749 |  |  |  |  | 504040989 5801324893 504040988 | |  |
| 30/748 |  | | | | 504040988 5801321873 5801324907 | | |
| 30/1567 |  |  |  |  | 2997196 98407722 99487781 | |  |
| 30/1566 |  | | | | 2997195 98407721 99487780 | | |

TRAKKER 2 D 2004 -> 2012












| | | | | | | | |
|---------|---|---|---|--|---------------------------------------|--|---|
| 30/749 |  |  |  |  | 504040989 5801324893 504040988 | |  |
| 30/748 |  | | | | 504040988 5801321873 5801324907 | | |
| 30/1567 |  |  |  |  | 2997196 98407722 99487781 | |  |
| 30/1566 |  | | | | 2997195 98407721 99487780 | | |

| Modello Model | Porte Doors | Configurazione Configurations | Foto Pictures | Connettore Connector | Cross OE | Alt. OE | Istruzioni Instructions |
|------------------|----------------|----------------------------------|------------------|-------------------------|----------|---------|----------------------------|
|------------------|----------------|----------------------------------|------------------|-------------------------|----------|---------|----------------------------|

TURBOSTAR 2 D 1984 -> 1993

| | | | | | | | |
|---------|---|---|--|--|---------------------------------|--|---|
| 30/747 |  |  |  <small>POWER WINDOW LEFT ALZACRISTALLI ELETTRICI 0K</small> |  | 2997177 4817202 503474162 | |  |
| 30/746 |  | | | | 2997176 4817201 503474163 | | |
| 30/185B |  |  |  | | 2997175 4817019 2997174 | |  |
| 30/185 |  | | | | 2997174 4817018 503474164 | | |
| 30/70 |  |  |  | | 4644623 | |  |
| 30/69 |  | | | | 4644622 | | |

TURBOTECH 2 D 1990 -> 1993

| | | | | | | | |
|---------|---|---|--|--|---------------------------------|--|---|
| 30/747 |  |  |  <small>POWER WINDOW LEFT ALZACRISTALLI ELETTRICI 0K</small> |  | 2997177 4817202 503474162 | |  |
| 30/746 |  | | | | 2997176 4817201 503474163 | | |
| 30/185B |  |  |  | | 2997175 4817019 2997174 | |  |
| 30/185 |  | | | | 2997174 4817018 503474164 | | |

X-WAY 2 D 2019 ->

| | | | | | | | |
|---------|---|---|--|--|------------|--|---|
| 30/3072 |  |  |  <small>POWER WINDOW LEFT ALZACRISTALLI ELETTRICI 0K</small> | | 5802487606 | |  |
| 30/3071 |  |  | | | 5802487660 | | |

| Modello Model | Porte Doors | Configurazione Configurations | Foto Pictures | Connettore Connector | Cross OE | Alt. OE | Istruzioni Instructions |
|------------------|----------------|----------------------------------|------------------|-------------------------|----------|---------|----------------------------|
|------------------|----------------|----------------------------------|------------------|-------------------------|----------|---------|----------------------------|

E-PACE (X540) 4 D 2017 ->

| | | | | | | | |
|---------|--|--|---|--|--|-----------------------|--|
| 30/2994 | | | POWER WINDOW LEFT ALZACRISTALLI ELETTRICO SX | | | J9C31881* J9C3278* | |
| 30/2993 | | | | | | J9C31880* J9C3277* | |
| 30/3008 | | | POWER WINDOW LEFT ALZACRISTALLI ELETTRICO SX | | | J9C31883* J9C3280* | |
| 30/3007 | | | | | | J9C31882* J9C3279* | |

S-TYPE II (X200) 4 D 1998 -> 2008

| | | | | | | | |
|---------|--|--|---|--|----------|--|--|
| 30/7143 | | | POWER WINDOW LEFT ALZACRISTALLI ELETTRICO SX | | XR848098 | | |
| 30/7144 | | | | | XR848097 | | |

S-TYPE II (X200) 4 D DATELAIO M45255-> 1998 -> 2008

| | | | | | | | |
|---------|--|--|---|--|----------|--|--|
| 30/2461 | | | POWER WINDOW LEFT ALZACRISTALLI ELETTRICO SX | | XR848094 | | |
| 30/2460 | | | | | XR848093 | | |
| 30/2790 | | | POWER WINDOW LEFT ALZACRISTALLI ELETTRICO SX | | XR848085 | | |
| 30/2789 | | | | | XR848084 | | |

X-TYPE I (X400) 4 D 2001 -> 2009

| | | | | | | | |
|---------|--|--|---|--|--|--|--|
| 30/2023 | | | POWER WINDOW LEFT ALZACRISTALLI ELETTRICO SX | | | C2S15069* C2S16407* C2S17670* C2S22203* | |
| 30/2022 | | | | | | C2S15068* C2S17669* C2S19406* C2S22202* | |

| Modello Model | Porte Doors | Configurazione Configurations | Foto Pictures | Connettore Connector | Cross OE | Alt. OE | Istruzioni Instructions |
|------------------|----------------|----------------------------------|------------------|-------------------------|----------|---------|----------------------------|
|------------------|----------------|----------------------------------|------------------|-------------------------|----------|---------|----------------------------|

X-TYPE I (X400) 4 D 2001 -> 2009

| | | | | | | | |
|---------|--|--|--|--|---|--|--|
| 30/2025 | | | | | | C2S17674* C2S22207* C2S2227* C2S3050* | |
| 30/2024 | | | | | | C2S17672* C2S22205* C2S2225* C2S3049* | |
| 30/2620 | | | | | C2S10460 C2S17673 C2S22206 C2S2226 | | |
| 30/2619 | | | | | C2S10458 C2S17671 C2S2220 C2S2224 | | |

X-TYPE I (X400) STATION WAGON 4 D 2003 -> 2009


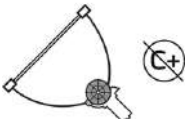





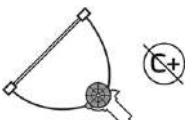




| | | | | | | | |
|---------|--|--|--|--|---|--|--|
| 30/2023 | | | | | | C2S15069* C2S16407* C2S17670* C2S22203* | |
| 30/2022 | | | | | | C2S15068* C2S17669* C2S19406* C2S22202* | |
| 30/2025 | | | | | | C2S17674* C2S22207* C2S2227* C2S3050* | |
| 30/2024 | | | | | | C2S17672* C2S22205* C2S2225* C2S3049* | |
| 30/2620 | | | | | C2S10460 C2S17673 C2S22206 C2S2226 | | |
| 30/2619 | | | | | C2S10458 C2S17671 C2S2220 C2S2224 | | |

| Modello Model | Porte Doors | Configurazione Configurations | Foto Pictures | Connettore Connector | Cross OE | Alt. OE | Istruzioni Instructions |
|------------------|----------------|----------------------------------|------------------|-------------------------|----------|---------|----------------------------|
|------------------|----------------|----------------------------------|------------------|-------------------------|----------|---------|----------------------------|


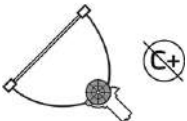





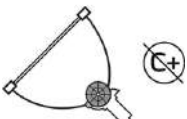





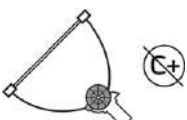





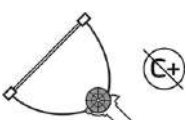




CHEROKEE (X) 2 D 1983 -> 2001

| | | | | | | | |
|---------|---|---|---|--|--|--|---|
| 30/7145 |  |  |  |  | 55000661 55018441 55034115 55154517 | |  |
| 30/7146 |  | | | | 55000660 55154516 55154628 55154722 | | |

CHEROKEE (X) 4 D 1983 -> 2001

| | | | | | | | |
|---------|--|--|--|---|--|--|--|
| 30/7145 |  |  |  |  | 55000661 55018441 55034115 55154517 | |  |
| 30/7146 |  | | | | 55000660 55154516 55154628 55154722 | | |
| 30/2331 |  |  |  |  | K55076053AE K55076053AF | |  |
| 30/2330 |  | | | | K55076052AF K55076052AG | | |

CHEROKEE (K) 4 D 2001 -> 2008

| | | | | | | | |
|---------|---|---|---|--|--|--|---|
| 30/7147 |  |  |  |  | K68059645AA K55360031AH K55360031AJ K55360031AK | |  |
| 30/7148 |  | | | | K68059644AA K55360030AH K55360030AJ K55360030AK | | |
| 30/7151 |  |  |  |  | K68059645AA K55360031AH K55360031AJ K55360031AK | |  |
| 30/7152 |  | | | | K68059644AA K55360030AH K55360030AJ K55360030AK | | |
| 30/2331 |  |  |  |  | K55076053AE K55076053AF | |  |
| 30/2330 |  | | | | K55076052AF K55076052AG | | |
| 30/7149 |  |  |  |  | 55360034AB 55360035AA 55360035AD 55360035AF | |  |
| 30/7150 |  | | | | 55360034AB 55360034AC 55360034AD 55360034AE | | |

| Modello Model | Porte Doors | Configurazione Configurations | Foto Pictures | Connettore Connector | Cross OE | Alt. OE | Istruzioni Instructions |
|------------------|----------------|----------------------------------|------------------|-------------------------|----------|---------|----------------------------|
|------------------|----------------|----------------------------------|------------------|-------------------------|----------|---------|----------------------------|

CHEROKEE (KJ) 4 D 2001 -> 2008

| | | | | | | | |
|---------|--|--|--|--|--|--|--|
| 30/7153 | | | | | K55360036AF K55360036AE 55360035AA 55360035AB | | |
| 30/7154 | | | | | 55360034AA 55360034AB 55360034AC 55360034AD | | |

COMANCHE (MJ) 2 D 1985 -> 1996

| | | | | | | | |
|---------|--|--|--|--|--|--|--|
| 30/7145 | | | | | 55000661 55018441 55034115 55154517 | | |
| 30/7146 | | | | | 55000660 55154516 55154628 55154722 | | |

COMANCHE (MJ) 4 D 1985 -> 1996


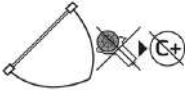



| | | | | | | | |
|---------|--|--|--|--|--|--|--|
| 30/7145 | | | | | 55000661 55018441 55034115 55154517 | | |
| 30/7146 | | | | | 55000660 55154516 55154628 55154722 | | |

COMPASS (MK49) 4 D 2006 ->


| | | | | | | | |
|---------|--|--|--|--|------------|---|--|
| 30/2017 | | | | | | K68002897AA* K68002899AA* | |
| 30/2016 | | | | | | K68002896AA* K68002898AA* | |
| 30/2129 | | | | | 68002897AA | | |
| 30/2128 | | | | | 68002896AA | | |
| 30/2019 | | | | | | 68002891AA* K05179963AA* K68002889A* K68002891AA* | |
| 30/2018 | | | | | | 68002890AA* K05179962AA* K68002888AA* K68002890AA* | |

| Modello Model | Porte Doors | Configurazione Configurations | Foto Pictures | Connettore Connector | Cross OE | Alt. OE | Istruzioni Instructions |
|------------------|----------------|----------------------------------|------------------|-------------------------|----------|---------|----------------------------|
|------------------|----------------|----------------------------------|------------------|-------------------------|----------|---------|----------------------------|


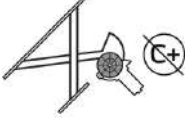





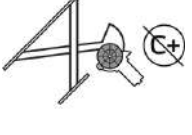




COMPASS (MK49) 4 D 2006 ->

| | | | | | | | |
|---------|---|---|---|--|-------------|--|---|
| 30/2131 |  |  |  | | K68002889AA | |  |
| 30/2130 |  | | | | 68002888AA | | |


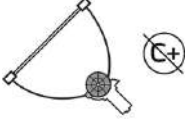




COMPASS (MP , M6) 4 D 2016 ->

| | | | | | | | |
|---------|---|--|--|--|-------------|--|--|
| 30/2972 |  |  |  | | K68292083AA | |  |
| 30/2973 |  | | <small>POWER WINDOW LEFT ALZACRISTALLI ELETTRICO SX</small> | | K68292082AA | | |
| 30/2970 |  |  |  | | K68292133AA | |  |
| 30/2971 |  | | <small>POWER WINDOW LEFT ALZACRISTALLI ELETTRICO SX</small> | | K68292132AA | | |

GRAND CHEROKEE I (ZJ,ZG) 4 D 1991 -> 1999






| | | | | | | | |
|---------|---|---|---|--|--|--|---|
| 30/7155 |  |  |  |  | | K04773895* K04798379* K04798379AB* K56005165* |  |
| 30/7156 |  | | | | | K04798378AB* K04798378AC* K56005164* KR6005165* | |
| 30/7157 |  |  |  |  | | K04638455* K04728305* K04761915* K0 |  |
| 30/7158 |  | | <small>POWER WINDOW LEFT ALZACRISTALLI ELETTRICO SX</small> | | | K04798380* K04798380AB* K55154620* | |

GRAND CHEROKEE II (WJ,WG) 4 D 1998 -> 2005


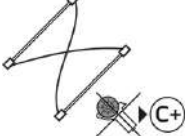




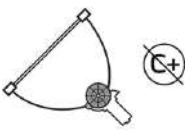




| | | | | | | | |
|---------|---|---|---|--|--|--|---|
| 30/1157 |  |  |  |  | | K55363287AA K55363287AB K55363287AC K55363287AD |  |
| 30/1156 |  | | <small>POWER WINDOW LEFT ALZACRISTALLI ELETTRICO SX</small> | | | K55363286AA K55363286AB K55363286AC K55363286AD | |

| Modello Model | Porte Doors | Configurazione Configurations | Foto Pictures | Connettore Connector | Cross OE | Alt. OE | Istruzioni Instructions |
|------------------|----------------|----------------------------------|------------------|-------------------------|----------|---------|----------------------------|
|------------------|----------------|----------------------------------|------------------|-------------------------|----------|---------|----------------------------|

GRAND CHEROKEE II (WJ,WG) 4 D 1998 -> 2005

| | | | | | | | |
|---------|--|---|---|--|--|--|---|
| 30/1153 |  |  |  |  | 55076467AB K05096177AA K55076467AB | |  |
| 30/1152 |  | | | | 55076466AB K05096176AA K55076466AB | | |
| 30/1159 |  |  |  |  | K55363285AE K55363285AB K55363285AC K55363285AD | |  |
| 30/1158 |  | | | | K55363284AE K55363284AA K55363284AB K55363284AC | | |
| 30/1155 |  |  |  |  | 55076469 K05096177AA K55076469 | |  |
| 30/1154 |  | | | | 55076468 K05096176AA K55076468 | | |

GRAND CHEROKEE III (WH,WK) 4 D 2004 -> 2011

| | | | | | | | |
|---------|---|---|---|--|--|--|---|
| 30/2610 |  |  |  | | | K04589171AH* K04589171AA* K04589171AB* K04589171AC* |  |
| 30/2609 |  | | | | | K04589170AH* K04589170AA* K04589170AB* K04589170AC* | |
| 30/2604 |  |  |  |  | K55394229AB K55394229AC K55394229AD K55394229AE | |  |
| 30/2603 |  | | | | K55394228AB K55394228AC K55394228AD K55394228AE | | |

GRAND CHEROKEE IV (WK,WK2) 4 D 2010 ->

| | | | | | | | |
|---------|---|---|---|--|-------------|--|---|
| 30/2203 |  |  |  | | K68079289AA | |  |
| 30/2202 |  | | | | K68079288AA | | |

| Modello Model | Porte Doors | Configurazione Configurations | Foto Pictures | Connettore Connector | Cross OE | Alt. OE | Istruzioni Instructions |
|------------------|----------------|----------------------------------|------------------|-------------------------|----------|---------|----------------------------|
|------------------|----------------|----------------------------------|------------------|-------------------------|----------|---------|----------------------------|

LIBERTY 4 D 2002 -> 2012

| | | | | | | | |
|---------|--|--|--|--|--|--|--|
| 30/7153 | | | | | K55360036AF K55360036AE 55360035AA 55360035AB | | |
| 30/7154 | | | | | 55360034AA 55360034AB 55360034AC 55360034AD | | |
| 30/2604 | | | | | K55394229AB K55394229AC K55394229AD K55394229AE | | |
| 30/2603 | | | | | K55394228AB K55394228AC K55394228AD K55394228AE | | |

RENEGADE SUV (BU, B1, BV) 4 D 2014 ->

| | | | | | | | |
|---------|--|--|--|--|--|--|--|
| 30/1933 | | | | | | 51959116* 52015500* 52015502* 52070285* | |
| 30/1932 | | | | | | 51959113* 52015491* 52015494* 52065143* | |
| 30/2938 | | | | | | 51980108* 52065157* | |
| 30/2937 | | | | | | 51980111* 52065165* | |

WRANGLER I (YJ, SJ_) 2 D 1986 -> 1996


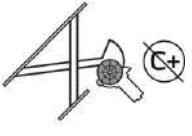




| | | | | | | | |
|---------|--|--|--|--|-----------------------|--|--|
| 30/2722 | | | | | J5454145 KJ5454145 | | |
| 30/2721 | | | | | J5454146 KJ5454146 | | |

| Modello Model | Porte Doors | Configurazione Configurations | Foto Pictures | Connettore Connector | Cross OE | Alt. OE | Istruzioni Instructions |
|------------------|----------------|----------------------------------|------------------|-------------------------|----------|---------|----------------------------|
|------------------|----------------|----------------------------------|------------------|-------------------------|----------|---------|----------------------------|

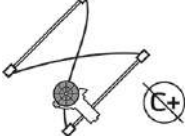












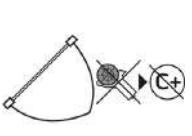


CARENS II MPV (F) 4 D 2003 -> 2013

| | | | | | | | |
|---------|---|---|---|--|---|--|---|
| 30/2333 |  |  |  |  | 0K2FA59560 0K2FA59560A 0K2FA59560B 0K2FA59560C | |  |
| 30/2332 |  | | | | 0K2FA58560 0K2FA58560A 0K2FA58560B 0K2FA58560C | | |

CARNIVAL I (UP) 4 D 1998 -> 2001

| | | | | | | | |
|---------|---|---|---|--|--|--|---|
| 30/1635 |  |  |  |  | 0K55259560 0K55259560A 0K55259560B | |  |
| 30/1634 |  | | | | 0K55258560 0K55258560A 0K55258560B | | |

CEE'D SPORTSWAGON (ED) 4 D 2007 -> 2012

| | | | | | | | |
|----------|---|---|---|--|----------------------------|--|---|
| 30/7159 |  |  |  |  | 824501H000* 824711H000* | |  |
| 30/7160 |  | | | | 824601H000* 824811H000* | | |
| 30/1637C |  |  |  |  | 824501H010* 824711H000* | |  |
| 30/1636C |  | | | | 824601H010* 824811H000* | | |
| 30/2419 |  |  |  |  | 824501H010 | |  |
| 30/2418 |  | | | | 824601H010 | | |
| 30/1637 |  |  |  | | 824711H000 | |  |
| 30/1636 |  | | | | 824811H000 | | |
| 30/1639 |  |  |  | | 834711H000 | |  |
| 30/1638 |  | | | | 834811H000 | | |

| Modello Model | Porte Doors | Configurazione Configurations | Foto Pictures | Connettore Connector | Cross OE | Alt. OE | Istruzioni Instructions |
|------------------|----------------|----------------------------------|------------------|-------------------------|----------|---------|----------------------------|
|------------------|----------------|----------------------------------|------------------|-------------------------|----------|---------|----------------------------|

CEE'D (ED) 4 D 2007 -> 2012

| | | | | | | | |
|----------|--|--|---|--|------------|----------------------------|--|
| 30/7159 | | | | | | 824501H000* 824711H000* | |
| 30/7160 | | | | | | 824601H000* 824811H000* | |
| 30/1637C | | | | | | 824501H010* 824711H000* | |
| 30/1636C | | | POWER WINDOW LEFT ALZACRISTALLI ELETTRICI SX | | | 824601H010* 824811H000* | |
| 30/2419 | | | | | 824501H010 | | |
| 30/2418 | | | POWER WINDOW LEFT ALZACRISTALLI ELETTRICI SX | | 824601H010 | | |
| 30/1637 | | | | | 824711H000 | | |
| 30/1636 | | | A POWER WINDOW LEFT ALZACRISTALLI ELETTRICI SX | | 824811H000 | | |
| 30/1639 | | | A | | 834711H000 | | |
| 30/1638 | | | POWER WINDOW LEFT ALZACRISTALLI ELETTRICI SX | | 834811H000 | | |

PICANTO I (SA) 4 D 2004 -> 2012


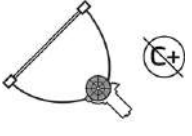




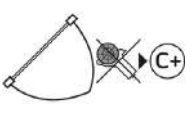



| | | | | | | | |
|---------|--|--|--|--|------------|---|--|
| 30/2944 | | | | | 8240307010 | | |
| 30/2943 | | | POWER WINDOW RIGHT ALZACRISTALLI ELETTRICI DX | | 8240407010 | | |
| 30/3010 | | | | | | 8340107010* 8340307010* 8340107011* | |
| 30/3009 | | | POWER WINDOW RIGHT ALZACRISTALLI ELETTRICI DX | | | 8340207010* 8340407010* 8340207011* | |

| Modello Model | Porte Doors | Configurazione Configurations | Foto Pictures | Connettore Connector | Cross OE | Alt. OE | Istruzioni Instructions |
|------------------|----------------|----------------------------------|------------------|-------------------------|----------|---------|----------------------------|
|------------------|----------------|----------------------------------|------------------|-------------------------|----------|---------|----------------------------|

PICANTO I (SA) 4 D 2004 -> 2012

| | | | | | | | |
|---------|--|---|---|---|--|------------|---|
| 30/3012 | |  |  |  | | 8340107011 |  |
| 30/3011 | |  | | <p>POWER WINDOW RIGHT ALZACRISTALLI ELETTRICI SX</p> | | 8340207011 | |


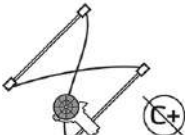




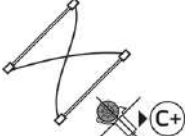



PICANTO II (TA) 2 D 2011 -> 2018

| | | | | | | | |
|---------|-----|--|--|--|--|----------------------------|--|
| 30/2367 | RHD |  |  |  | | 824011Y310* 824501Y000* |  |
| 30/2366 | |  | | <p>POWER WINDOW RIGHT ALZACRISTALLI ELETTRICI SX</p> | | 824021Y310* 824601Y000* | |
| 30/2071 | |  |  |  | | 824011Y310 |  |
| 30/2070 | RHD |  | | <p>POWER WINDOW LEFT ALZACRISTALLI ELETTRICI SX</p> | | 824021Y310 | |

PICANTO II (TA) 4 D 2011 -> 2018


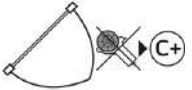











| | | | | | | | |
|---------|--|---|---|---|--|----------------------------|---|
| 30/1905 | |  |  |  | | 824011Y010* 824501Y000* |  |
| 30/1904 | |  | | <p>POWER WINDOW LEFT ALZACRISTALLI ELETTRICI SX</p> | | 824021Y010* 824601Y000* | |

PRO CEE'D (ED) 2 D 2008 -> 2013


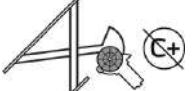










| | | | | | | | |
|---------|--|---|---|---|--|----------------------------|---|
| 30/2269 | |  |  |  | | 824501H300* 824711H300* |  |
| 30/2268 | |  | | <p>POWER WINDOW LEFT ALZACRISTALLI ELETTRICI SX</p> | | 824601H300* 824811H300* | |
| 30/2267 | |  |  |  | | 824711H300 |  |
| 30/2266 | |  | | <p>POWER WINDOW LEFT ALZACRISTALLI ELETTRICI SX</p> | | 824811H300 | |

| Modello Model | Porte Doors | Configurazione Configurations | Foto Pictures | Connettore Connector | Cross OE | Alt. OE | Istruzioni Instructions |
|------------------|----------------|----------------------------------|------------------|-------------------------|----------|---------|----------------------------|
|------------------|----------------|----------------------------------|------------------|-------------------------|----------|---------|----------------------------|








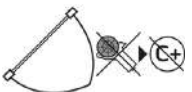




RIO III (UB) 4 D 2011 -> 2017

| | | | | | | | |
|---------|---|---|---|--|--------------------------|-------------|---|
| 30/1907 |  |  |  | | | 824011W020* |  |
| 30/1906 |  | |  | | | 824021W010* | |
| 30/1909 |  |  |  | | 834011W000 834011W010 | |  |
| 30/1908 |  | |  |  | 834021W000 834011W010 | | |

SORENTO I (JC) 4 D 2002 -> 2011

| | | | | | | | |
|---------|---|---|---|--|--|--|---|
| 30/1797 |  |  |  | | | 0K2FA5956Y* 0K2FA7356Y* 0K5525956Y* 824013E002* |  |
| 30/1796 |  | |  | | | 0K2FA5856Y* 0K2FA7256Y* 0K5525856Y* 824023E003* | |
| 30/1799 |  |  |  | | | 0K2FA5956Y* 0K2FA7356Y* 834013E000* 834013E001* |  |
| 30/1798 |  | |  | | | 0K2FA7256Y* 0K5525856Y* 824603E000* 834023E000* | |

SORENTO II (XM) 4 D 2009 -> 2016

| | | | | | | | |
|---------|---|---|---|--|------------|--|---|
| 30/1969 |  |  |  | | 824012P010 | |  |
| 30/1968 |  | |  | | 824022P010 | | |
| 30/2694 |  |  |  | | 834012P000 | |  |
| 30/2693 |  | |  | | 834022P000 | | |

| Modello Model | Porte Doors | Configurazione Configurations | Foto Pictures | Connettore Connector | Cross OE | Alt. OE | Istruzioni Instructions |
|------------------|----------------|----------------------------------|------------------|-------------------------|----------|---------|----------------------------|
|------------------|----------------|----------------------------------|------------------|-------------------------|----------|---------|----------------------------|

SOUL I (AM) 4 D 2009 -> 2014

| | | | | | | | |
|---------|--|--|--|--|------------|--|--|
| 30/2205 | | | | | 824012K000 | | |
| 30/2204 | | | | | 824022K000 | | |
| 30/2207 | | | | | 834012K000 | | |
| 30/2206 | | | | | 834022K000 | | |

SPORTAGE II (JE_, KM_) 4 D 2004 -> 2011

| | | | | | | | |
|---------|--|--|--|--|--|-------------|--|
| 30/3056 | | | | | | 824031F010* | |
| 30/3055 | | | | | | 824041F010* | |

SPORTAGE III (SL) 4 D 2009 -> 2017

| | | | | | | | |
|----------|--|--|--|--|--|----------------------------|--|
| 30/1971C | | | | | | 824503W010* 824713U000* | |
| 30/1970C | | | | | | 824603W000* 824813U000* | |
| 30/2429 | | | | | | 824503W010 | |
| 30/2428 | | | | | | 824603W000 | |
| 30/1971 | | | | | | 824713U000 | |
| 30/1970 | | | | | | 824813U000 | |
| 30/2001 | | | | | | 834503W000* 834713U000* | |
| 30/2000 | | | | | | 834603W000* 834813U000* | |

| Modello Model | Porte Doors | Configurazione Configurations | Foto Pictures | Connettore Connector | Cross OE | Alt. OE | Istruzioni Instructions |
|------------------|----------------|----------------------------------|------------------|-------------------------|----------|---------|----------------------------|
|------------------|----------------|----------------------------------|------------------|-------------------------|----------|---------|----------------------------|

SPORTAGE III (SL) 4 D 2009 -> 2017

| | | | | | | | |
|---------|--|--|--|--|------------|--|--|
| 30/1999 | | | | | 834713U000 | | |
| 30/1998 | | | | | 834813U000 | | |

VENGA (YN) 4 D 2010 -> 2019

| | | | | | | | |
|---------|--|--|--|--|------------|----------------------------|--|
| 30/1865 | | | | | | 824011P000* 824711K000* | |
| 30/1864 | | | | | | 824021P000* 824811K000* | |
| 30/1867 | | | | | 834011P010 | | |
| 30/1866 | | | | | 834021P010 | | |

| Modello Model | Porte Doors | Configurazione Configurations | Foto Pictures | Connettore Connector | Cross OE | Alt. OE | Istruzioni Instructions |
|------------------|----------------|----------------------------------|------------------|-------------------------|----------|---------|----------------------------|
|------------------|----------------|----------------------------------|------------------|-------------------------|----------|---------|----------------------------|

NIVA (2121) 2 D 1976 ->


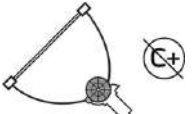




| | | | | | | | |
|---------|---|---|---|--|-------------|--|---|
| 30/188B |  |  |  | | 21216104021 | |  |
| 30/188 |  | | | | 21216104020 | | |

NIVA (2121) 4 D 1976 ->


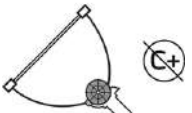




| | | | | | | | |
|-------|---|---|---|--|-------------------------------|--|---|
| 30/39 |  |  |  | | 4133789 4170312 4636961 | |  |
|-------|---|---|---|--|-------------------------------|--|---|

| Modello Model | Porte Doors | Configurazione Configurations | Foto Pictures | Connettore Connector | Cross OE | Alt. OE | Istruzioni Instructions |
|------------------|----------------|----------------------------------|------------------|-------------------------|----------|---------|----------------------------|
|------------------|----------------|----------------------------------|------------------|-------------------------|----------|---------|----------------------------|


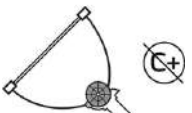




DEDRA (835_) 4 D 1989 -> 1999

| | | | | | | | |
|--------|---|---|---|--|--|--|---|
| 30/762 |  |  |  |  | 7595322 7695160 60505919 60609673 | |  |
| 30/761 |  | | | | 7595321 7695159 60505918 60609672 | | |


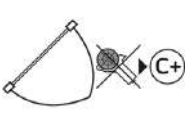




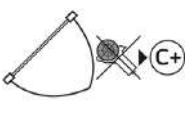



DEDRA SW (835_) 4 D 1994 -> 1999

| | | | | | | | |
|--------|---|---|---|--|--|--|---|
| 30/762 |  |  |  |  | 7595322 7695160 60505919 60609673 | |  |
| 30/761 |  | | | | 7595321 7695159 60505918 60609672 | | |

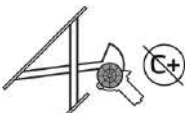

DELTA II (836_) 4 D 1993 -> 1999

| | | | | | | | |
|--------|---|--|--|--|--|--|--|
| 30/762 |  |  |  |  | 7595322 7695160 60505919 60609673 | |  |
| 30/761 |  | | | | 7595321 7695159 60505918 60609672 | | |

DELTA III (844_) 4 D 2008 -> 2014

| | | | | | | | |
|---------|---|---|---|--|--|--|---|
| 30/1402 |  |  |  | | | 51827394* 51829141* 51830254* 51836460* |  |
| 30/1401 |  | | | | | 51827393* 51829140* 51830253* 51836459* | |
| 30/1615 |  |  |  | | | 51779573* 51827396* 51832158* 51909798* |  |
| 30/1614 |  | | | | | 51779575* 51827395* 51832157* 51909797* | |

KAPPA (838_) 4 D 1994 -> 2001





| | | | | | | | |
|--------|---|---|---|--|---------------------------------|--|---|
| 30/788 |  |  |  |  | 7778153 60671579 7778152 | |  |
| 30/787 |  | | | | 7778152 46479593 60671578 | | |


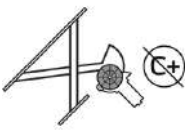




| Modello Model | Porte Doors | Configurazione Configurations | Foto Pictures | Connettore Connector | Cross OE | Alt. OE | Istruzioni Instructions |
|------------------|----------------|----------------------------------|------------------|-------------------------|----------|---------|----------------------------|
|------------------|----------------|----------------------------------|------------------|-------------------------|----------|---------|----------------------------|

KAPPA (838_) 4 D 1994 -> 2001

| | | | | | | | |
|---------|---|---|---|--|---------------------|--|---|
| 30/790 |  |  |  |  | 7778155 7778154 | |  |
| 30/7162 |  | | | | 7778154 60671580 | | |


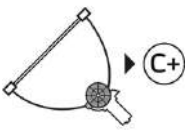




KAPPA SW (838_) 4 D 1996 -> 2001

| | | | | | | | |
|--------|---|---|---|--|---------------------------------|--|---|
| 30/788 |  |  |  |  | 7778153 60671579 7778152 | |  |
| 30/787 |  | | | | 7778152 46479593 60671578 | | |

| | | | | | | | |
|---------|--|--|--|---|---------------------|--|--|
| 30/790 |  |  |  |  | 7778155 7778154 | |  |
| 30/7162 |  | | | | 7778154 60671580 | | |

LYBRA (839_) 4 D 1999 -> 2005

| | | | | | | | |
|--------|---|---|---|--|----------------------------------|--|---|
| 30/902 |  |  |  |  | 46543995 46790327 46808307 | |  |
| 30/901 |  | | | | 46543871 46790326 46808306 | | |


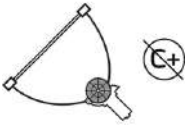




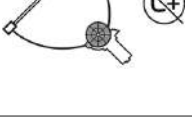




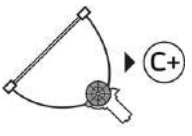









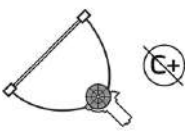




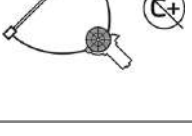




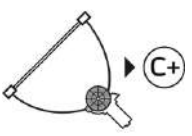








| | | | | | | | |
|--------|---|---|---|--|----------------------------------|--|---|
| 30/894 |  |  |  |  | 46843351 51707607 51736639 | |  |
| 30/893 |  | | | | 46843350 51707606 51736638 | | |

| | | | | | | | |
|--------|---|---|---|--|----------------------------------|--|---|
| 30/904 |  |  |  |  | 46544079 46760390 46790323 | |  |
| 30/903 |  | | | | 46544057 46760389 46790322 | | |

| | | | | | | | |
|--------|---|---|---|--|--|--|---|
| 30/900 |  |  |  |  | 46808309 46843353 51707609 51736641 | |  |
| 30/899 |  | | | | 46808308 46843352 51707608 51736640 | | |

| Modello Model | Porte Doors | Configurazione Configurations | Foto Pictures | Connettore Connector | Cross OE | Alt. OE | Istruzioni Instructions |
|------------------|----------------|----------------------------------|------------------|-------------------------|----------|---------|----------------------------|
|------------------|----------------|----------------------------------|------------------|-------------------------|----------|---------|----------------------------|

LYBRA SW (839_) 4 D 1999 -> 2005

| | | | | | | | |
|--------|---|---|--|--|--|--|---|
| 30/902 |  |  |  <small>POWER WINDOW LEFT ALZACRISTALLI ELETTRICO SX</small> |  | 46543995 46790327 46808307 | |  |
| 30/901 |  |  |  <small>POWER WINDOW LEFT ALZACRISTALLI ELETTRICO SX</small> |  | 46543871 46790326 46808306 | |  |
| 30/894 |  |  |  <small>POWER WINDOW LEFT ALZACRISTALLI ELETTRICO SX</small> |  | 46843351 51707607 51736639 | |  |
| 30/893 |  |  |  <small>POWER WINDOW LEFT ALZACRISTALLI ELETTRICO SX</small> |  | 46843350 51707606 51736638 | |  |
| 30/904 |  |  |  <small>POWER WINDOW LEFT ALZACRISTALLI ELETTRICO SX</small> |  | 46544079 46760390 46790323 | |  |
| 30/903 |  |  |  <small>POWER WINDOW LEFT ALZACRISTALLI ELETTRICO SX</small> |  | 46544057 46760389 46790322 | |  |
| 30/900 |  |  |  <small>POWER WINDOW LEFT ALZACRISTALLI ELETTRICO SX</small> |  | 46808309 46843353 51707609 51736641 | |  |
| 30/899 |  |  |  <small>POWER WINDOW LEFT ALZACRISTALLI ELETTRICO SX</small> |  | 46808308 46843352 51707608 51736640 | |  |

MUSA (350_) 4 D 2004 -> 2012

| | | | | | | | |
|---------|---|---|--|--|----------------------|--|---|
| 30/876 |  |  |  <small>POWER WINDOW LEFT ALZACRISTALLI ELETTRICO SX</small> |  | 46841277 71734843 | |  |
| 30/875 |  |  |  <small>POWER WINDOW LEFT ALZACRISTALLI ELETTRICO SX</small> |  | 46841278 71734844 | |  |
| 30/1113 |  |  |  <small>POWER WINDOW LEFT ALZACRISTALLI ELETTRICO SX</small> |  | 71734870 | |  |
| 30/1112 |  |  |  <small>MOTOR LEFT MOTORE SX</small> |  | 71734869 | |  |
| 30/2153 |  |  |  <small>MOTOR LEFT MOTORE SX</small> |  | 46841277 71734843 | |  |
| 30/2152 |  |  |  <small>MOTOR LEFT MOTORE SX</small> |  | 46841278 71734844 | |  |

| Modello Model | Porte Doors | Configurazione Configurations | Foto Pictures | Connettore Connector | Cross OE | Alt. OE | Istruzioni Instructions |
|------------------|----------------|----------------------------------|------------------|-------------------------|----------|---------|----------------------------|
|------------------|----------------|----------------------------------|------------------|-------------------------|----------|---------|----------------------------|

MUSA (350_) 4 D 2004 -> 2012

| | | | | | | | |
|---------|--|--|--|--|----------|--|--|
| 30/1301 | | | | | 71734849 | | |
| 30/1300 | | | | | 71734848 | | |

PHEDRA (179_) 4 D 2002 -> 2010

| | | | | | | | |
|--------|--|--|--|--|----------------------|--|--|
| 30/926 | | | | | 1485312080 9221L4 | | |
| 30/925 | | | | | 1485311080 9222L2 | | |

THEMA (834_) 4 D 1984 -> 1994

| | | | | | | | |
|--------|--|--|--|--|--|--|--|
| 30/677 | | | | | 82415680 82438388 82448843 82457197 | | |
| 30/676 | | | | | 82415679 82438387 82448842 82457194 | | |

Y (156) - Y10 2 D 1985 -> 1995

| | | | | | | | |
|--------|--|--|--|--|-------------------------------|--|--|
| 30/764 | | | | | 7568888 7636247 7735705 | | |
| 30/763 | | | | | 7568887 7636248 7735704 | | |

30/167B


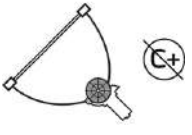




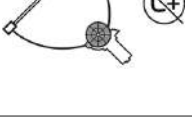




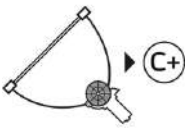









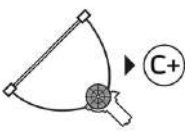









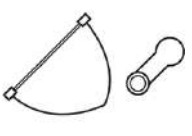








| | | | | | | | |
|---------|--|--|--|--|--------------------|--|--|
| 30/167B | | | | | 5994091 7602200 | | |
| 30/167 | | | | | 5994090 7602195 | | |

Y (840_) 2 D 1995 -> 2003


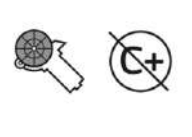




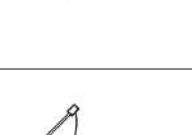




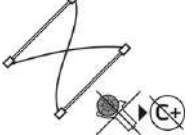








| | | | | | | | |
|--------|--|--|--|--|----------------------------------|--|--|
| 30/778 | | | | | 46407978 46737178 46778565 | | |
| 30/777 | | | | | 46407977 46737177 46778564 | | |

| Modello Model | Porte Doors | Configurazione Configurations | Foto Pictures | Connettore Connector | Cross OE | Alt. OE | Istruzioni Instructions |
|------------------|----------------|----------------------------------|------------------|-------------------------|----------|---------|----------------------------|
|------------------|----------------|----------------------------------|------------------|-------------------------|----------|---------|----------------------------|

YPSILON (312_) 4 D 2011 ->

| | | | | | | | |
|---------|---|---|---|--|--|--|---|
| 30/1334 |  |  |  POWER WINDOW RIGHT ALZACRISTALLI ELETTRICO DX |  | 51833754 51974580 52075401 52096802 | |  |
| 30/1333 |  |  |  |  | 51833742 51974579 52075399 52096801 | |  |
| 30/1332 |  |  |  |  | 51849797 52075402 52096804 52115511 | |  |
| 30/1331 |  |  |  |  | 51849796 52075400 52096803 52115510 | |  |
| 30/1336 |  |  |  |  | 51833777 51935802 52075404 52115513 | |  |
| 30/1335 |  |  |  |  | 51833764 51935800 52075403 52115512 | |  |
| 30/2976 |  |  |  |  | 51833778 51935801 52025000 | |  |
| 30/2977 |  |  |  |  | 51833771 51935797 52054999 | |  |

YPSILON (843_) 2 D 2003 -> 2011

| | | | | | | | |
|---------|---|---|--|--|----------|--|---|
| 30/898 |  |  |  MOTOR LEFT MOTORE SX |  | 71732831 | |  |
| 30/897 |  |  |  |  | 71732835 | |  |
| 30/3054 |  |  |  |  | 71732829 | |  |
| 30/3053 |  |  |  |  | 71732828 | |  |

ZETA (22_) 4 D 1995 -> 2003

| | | | | | | | |
|---------|---|---|---|--|--------------------------------|--|---|
| 30/2808 |  |  |  |  | 1488560080 9221F7 9221H5 | |  |
| 30/2807 |  |  |  |  | 1488559080 9222F5 9222H3 | |  |

| Modello Model | Porte Doors | Configurazione Configurations | Foto Pictures | Connettore Connector | Cross OE | Alt. OE | Istruzioni Instructions |
|------------------|----------------|----------------------------------|------------------|-------------------------|----------|---------|----------------------------|
|------------------|----------------|----------------------------------|------------------|-------------------------|----------|---------|----------------------------|

ZETA (22_) 4 D 1995 -> 2003

| | | | | | | | |
|---------|--|--|--|--|--|--|--|
| 30/856 | | | | | 922334 1462445080 1484120080 1488560080 | | |
| 30/855 | | | | | 922434 1462444080 1484119080 1488559080 | | |
| 30/1925 | | | | | 922333 922378 1484122080 92243 | | |
| 30/1924 | | | | | 922433 922454 922481 1484121080 | | |

| Modello Model | Porte Doors | Configurazione Configurations | Foto Pictures | Connettore Connector | Cross OE | Alt. OE | Istruzioni Instructions |
|------------------|----------------|----------------------------------|------------------|-------------------------|----------|---------|----------------------------|
|------------------|----------------|----------------------------------|------------------|-------------------------|----------|---------|----------------------------|

DEFENDER 110 (L316) 2 D 1994 -> 2017

| | | | | | | | |
|---------|--|--|--|--|------------------------|--|--|
| 30/7163 | | | | | CUH000090 CUH000092 | | |
| 30/7164 | | | | | CUH000080 CUH000082 | | |
| 30/249B | | | | | CUH000110 CUH000111 | | |
| 30/249 | | | | | CUH000100 CUH000101 | | |
| 30/271B | | | | | ALR4532 | | |
| 30/271 | | | | | ALR4533 | | |

DEFENDER 110 (L316) 4 D 1994 -> 2017

| | | | | | | | |
|---------|--|--|--|--|------------------------|--|--|
| 30/7163 | | | | | CUH000090 CUH000092 | | |
| 30/7164 | | | | | CUH000080 CUH000082 | | |
| 30/249B | | | | | CUH000110 CUH000111 | | |
| 30/249 | | | | | CUH000100 CUH000101 | | |
| 30/271B | | | | | ALR4532 | | |
| 30/271 | | | | | ALR4533 | | |
| 30/250B | | | | | ALR4534 CVH500090 | | |
| 30/250 | | | | | ALR4535 CVH500080 | | |

| Modello Model | Porte Doors | Configurazione Configurations | Foto Pictures | Connettore Connector | Cross OE | Alt. OE | Istruzioni Instructions |
|------------------|----------------|----------------------------------|------------------|-------------------------|----------|---------|----------------------------|
|------------------|----------------|----------------------------------|------------------|-------------------------|----------|---------|----------------------------|

DEFENDER 130 (L316) 2 D 1994 -> 2017

| | | | | | | | |
|---------|--|--|--|--|------------------------|--|--|
| 30/7163 | | | | | CUH000090 CUH000092 | | |
| 30/7164 | | | | | CUH000080 CUH000082 | | |
| 30/249B | | | | | CUH000110 CUH000111 | | |
| 30/249 | | | | | CUH000100 CUH000101 | | |
| 30/271B | | | | | ALR4532 | | |
| 30/271 | | | | | ALR4533 | | |

DEFENDER 130 (L316) 4 D 1994 -> 2017

| | | | | | | | |
|---------|--|--|--|--|------------------------|--|--|
| 30/7163 | | | | | CUH000090 CUH000092 | | |
| 30/7164 | | | | | CUH000080 CUH000082 | | |
| 30/249B | | | | | CUH000110 CUH000111 | | |
| 30/249 | | | | | CUH000100 CUH000101 | | |
| 30/271B | | | | | ALR4532 | | |
| 30/271 | | | | | ALR4533 | | |
| 30/250B | | | | | ALR4534 CVH500090 | | |
| 30/250 | | | | | ALR4535 CVH500080 | | |

| Modello Model | Porte Doors | Configurazione Configurations | Foto Pictures | Connettore Connector | Cross OE | Alt. OE | Istruzioni Instructions |
|------------------|----------------|----------------------------------|------------------|-------------------------|----------|---------|----------------------------|
|------------------|----------------|----------------------------------|------------------|-------------------------|----------|---------|----------------------------|

DEFENDER 90 (L316) 2 D 1994 -> 2017

| | | | | | | | |
|---------|--|--|--|--|------------------------|--|--|
| 30/7163 | | | | | CUH000090 CUH000092 | | |
| 30/7164 | | | | | CUH000080 CUH000082 | | |
| 30/249B | | | | | CUH000110 CUH000111 | | |
| 30/249 | | | | | CUH000100 CUH000101 | | |
| 30/271B | | | | | ALR4532 | | |
| 30/271 | | | | | ALR4533 | | |

DEFENDER 90 (L316) 4 D 1994 -> 2017

| | | | | | | | |
|---------|--|--|--|--|------------------------|--|--|
| 30/7163 | | | | | CUH000090 CUH000092 | | |
| 30/7164 | | | | | CUH000080 CUH000082 | | |
| 30/249B | | | | | CUH000110 CUH000111 | | |
| 30/249 | | | | | CUH000100 CUH000101 | | |
| 30/271B | | | | | ALR4532 | | |
| 30/271 | | | | | ALR4533 | | |
| 30/250B | | | | | ALR4534 CVH500090 | | |
| 30/250 | | | | | ALR4535 CVH500080 | | |

| Modello Model | Porte Doors | Configurazione Configurations | Foto Pictures | Connettore Connector | Cross OE | Alt. OE | Istruzioni Instructions |
|------------------|----------------|----------------------------------|------------------|-------------------------|----------|---------|----------------------------|
|------------------|----------------|----------------------------------|------------------|-------------------------|----------|---------|----------------------------|



DISCOVERY I (LJ) 2 D 1989 -> 1998

| | | | | | | | |
|---------|---|---|---|--|--|----------------------|---|
| 30/7165 |  |  |  |  | | RTC3815* RTC3821* |  |
| 30/7166 |  | | | | | RTC3814* RTC3820* | |


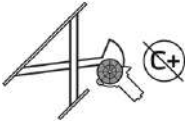



DISCOVERY I (LJ) 4 D 1989 -> 1998

| | | | | | | | |
|---------|---|---|---|--|--|----------------------|---|
| 30/7165 |  |  |  |  | | RTC3815* RTC3821* |  |
| 30/7166 |  | | | | | RTC3814* RTC3820* | |







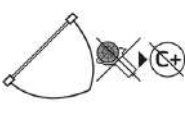



DISCOVERY II (L318) 2 D 1998 -> 2004

| | | | | | | | |
|---------|---|--|--|--|--|---|--|
| 30/1643 |  |  |  |  | | CUH102310* CUR100440* CVR100170* LR006374* |  |
| 30/1642 |  | | | | | CUH102300* CUR100440* CVR100170* LR006373* | |

DISCOVERY II (L318) 4 D 1998 -> 2004


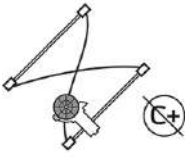




| | | | | | | | |
|---------|---|---|---|--|--|---|---|
| 30/1643 |  |  |  |  | | CUH102310* CUR100440* CVR100170* LR006374* |  |
| 30/1642 |  | | | | | CUH102300* CUR100440* CVR100170* LR006373* | |

DISCOVERY III (L319) 4 D 2004 -> 2009

| | | | | | | | |
|---------|---|---|---|--|--|-------------------------------------|---|
| 30/2073 |  |  |  | | | CUH500110 CUH500111 CUH500113 |  |
| 30/2072 |  | | | | | CUH500100 CUH500101 CUH500103 | |
| 30/7167 |  |  |  | | | CVH500030 CVH500032 CVH500130 |  |
| 30/7168 |  | | | | | CVH500020 CVH500022 CVH500120 | |

| Modello Model | Porte Doors | Configurazione Configurations | Foto Pictures | Connettore Connector | Cross OE | Alt. OE | Istruzioni Instructions |
|------------------|----------------|----------------------------------|------------------|-------------------------|----------|---------|----------------------------|
|------------------|----------------|----------------------------------|------------------|-------------------------|----------|---------|----------------------------|

FREELANDER (L314) 2 D 1998 -> 2006

| | | | | | | | |
|---------|---|---|---|--|--|--|---|
| 30/1000 |  |  |  |  | CUH000030 CUH000031 CUH000032 CUH000033 | |  |
| 30/999 |  | | <small>POWER WINDOW LEFT ALZACRISTALLI ELETTRICI SX</small> | | ASR1584 CUH000020 CUH000021 CUH000022 | | |

FREELANDER (L314) 4 D 1998 -> 2006

| | | | | | | | |
|---------|---|---|---|--|--|--|---|
| 30/1000 |  |  |  |  | CUH000030 CUH000031 CUH000032 CUH000033 | |  |
| 30/999 |  | | <small>POWER WINDOW LEFT ALZACRISTALLI ELETTRICI SX</small> | | ASR1584 CUH000020 CUH000021 CUH000022 | | |


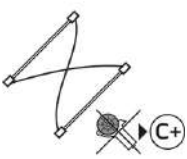




| | | | | | | | |
|---------|--|--|--|---|-------------------------------------|--|--|
| 30/7169 |  |  |  |  | CVH101210 CVH101211 CVH101212 | |  |
| 30/7170 |  | | <small>POWER WINDOW LEFT ALZACRISTALLI ELETTRICI SX</small> | | CVH101200 CVH101201 CVH101202 | | |

| | | | | | | | |
|---------|---|---|---|--|-------------------------------------|--|---|
| 30/1183 |  |  |  |  | CVH101210 CVH101211 CVH101212 | |  |
| 30/1182 |  | | <small>POWER WINDOW LEFT ALZACRISTALLI ELETTRICI SX</small> | | CVH101200 CVH101201 CVH101202 | | |

RANGE ROVER EVOQUE (L538) 2 D 2011 -> 2019

| | | | | | | | |
|---------|---|---|---|--|----------------------------------|--|---|
| 30/2105 |  |  |  | | LR026710 LR046659 LR165907 | |  |
| 30/2104 |  |  | <small>POWER WINDOW LEFT ALZACRISTALLI ELETTRICI SX</small> | | LR067996 LR126092 LR165905 | | |

RANGE ROVER EVOQUE (L538) 4 D 2011 -> 2019


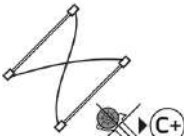



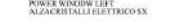






| | | | | | | | |
|---------|---|---|---|--|--|--|---|
| 30/2101 |  |  |  | | LR026709 LR026710 LR046658 LR046659 | |  |
| 30/2100 |  |  | <small>POWER WINDOW LEFT ALZACRISTALLI ELETTRICI SX</small> | | LR046656 LR067996 LR067998 LR126091 | | |

| Modello Model | Porte Doors | Configurazione Configurations | Foto Pictures | Connettore Connector | Cross OE | Alt. OE | Istruzioni Instructions |
|------------------|----------------|----------------------------------|------------------|-------------------------|----------|---------|----------------------------|
|------------------|----------------|----------------------------------|------------------|-------------------------|----------|---------|----------------------------|


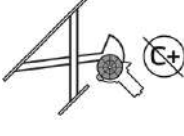











RANGE ROVER EVOQUE (L538) 4 D 2011 -> 2019

| | | | | | | | |
|---------|---|---|---|--|----------|--|---|
| 30/2103 |  |  |  | | LR026718 | |  |
| 30/2102 |  | | | | LR026717 | | |

RANGE ROVER EVOQUE (L551) 4 D 2018 ->

| | | | | | | | |
|---------|---|--|--|--|--|------------------------|--|
| 30/2918 |  |  |  | | | LR114591* LR114590 |  |
| 30/2917 |  | |  POWER WINDOW LEFT ALZACRISTALLI ELETTRICO SX | | | LR114590* LR165913* | |
| 30/2906 |  |  |  | | | LR114598* |  |
| 30/2905 |  | |  POWER WINDOW LEFT ALZACRISTALLI ELETTRICO | | | LR114597* | |

RANGE ROVER II (P38A) 4 D 1994 -> 2002

| | | | | | | | |
|---------|---|---|--|--|-----------|------------------------|---|
| 30/7171 |  |  |  |  | | ASR2499* CVF100750* |  |
| 30/7172 |  | |  POWER WINDOW LEFT ALZACRISTALLI ELETTRICO SX | | | ASR2498* CVF100740* | |
| 30/7173 |  |  |  | | CVF100750 | |  |
| 30/7174 |  | |  POWER WINDOW LEFT ALZACRISTALLI ELETTRICO SX | | CVF100740 | | |

RANGE ROVER III (L322) 4 D 2002 -> 2012

| | | | | | | | |
|---------|---|---|--|--|--|--|---|
| 30/2467 |  |  |  | | | CUH000190* CUH000191* CUH000192* CUH000230* |  |
| 30/2466 |  | |  POWER WINDOW LEFT ALZACRISTALLI ELETTRICO SX | | | CUH000180* CUH000181* CUH000182* CUH500180* | |

| Modello Model | Porte Doors | Configurazione Configurations | Foto Pictures | Connettore Connector | Cross OE | Alt. OE | Istruzioni Instructions |
|------------------|----------------|----------------------------------|------------------|-------------------------|----------|---------|----------------------------|
|------------------|----------------|----------------------------------|------------------|-------------------------|----------|---------|----------------------------|

RANGE ROVER III (L322) 4 D 2002 -> 2012

| | | | | | | | |
|---------|--|--|--|--|--|--|--|
| 30/2900 | | | | | CVH000050 CVH000051 CVH000070 CVH500110 | | |
| 30/2899 | | | | | CVH000040 CVH000041 CVH000060 CVH500100 | | |
| 30/2936 | | | | | | CVH000050* CVH000051* CVH000070* CVH500110* | |
| 30/2935 | | | | | | CVH000040* CVH000041* CVH000060* CVH500100* | |

RANGE ROVER SPORT I (L320) 4 D 2005 -> 2013

| | | | | | | | |
|---------|--|--|--|--|-------------------------------------|--|--|
| 30/2073 | | | | | CUH500110 CUH500111 CUH500113 | | |
| 30/2072 | | | | | CUH500100 CUH500101 CUH500103 | | |
| 30/7167 | | | | | CVH500030 CVH500032 CVH500130 | | |
| 30/7168 | | | | | CVH500020 CVH500022 CVH500120 | | |

RANGE ROVER SPORT II (L494) 4 D 2013 -> 2022

| | | | | | | | |
|---------|--|--|--|--|--|--|--|
| 30/2626 | | | | | | LR043935* LR077816* LR153952* LT057339* | |
| 30/2625 | | | | | | LR043934* LR057338* LR077817* LR153951* | |
| 30/2628 | | | | | | LR043937* LR057341* LR078871* LR153956* | |
| 30/2627 | | | | | | LR043936* LR057340* LR078870* LR153955* | |

| Modello Model | Porte Doors | Configurazione Configurations | Foto Pictures | Connettore Connector | Cross OE | Alt. OE | Istruzioni Instructions |
|------------------|----------------|----------------------------------|------------------|-------------------------|----------|---------|----------------------------|
|------------------|----------------|----------------------------------|------------------|-------------------------|----------|---------|----------------------------|

F2000 2 D 1995 -> 2010

| | | | | | | | |
|---------|--|--|--|--|-------------|--|--|
| 30/281B | | | | | 85626406011 | | |
| 30/281 | | | | | 85626406012 | | |

F90 2 D 1986 -> 1997

| | | | | | | | |
|---------|--|--|--|--|-------------|--|--|
| 30/281B | | | | | 85626406011 | | |
| 30/281 | | | | | 85626406012 | | |

TGA 2 D 2000 ->

| | | | | | | | |
|---------|--|--|--|--|--------------|--------------|--|
| 30/2075 | | | | | | 81626456053* | |
| 30/2074 | | | | | 81626456052* | | |
| 30/3176 | | | | | 81626456053 | | |
| 30/3175 | | | | | 81626456052 | | |

TGL 2 D 2000 ->

| | | | | | | | |
|---------|--|--|--|--|--------------|--------------|--|
| 30/2075 | | | | | | 81626456053* | |
| 30/2074 | | | | | 81626456052* | | |

TGM 2 D 2000 ->


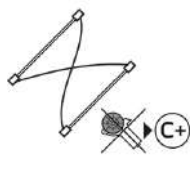






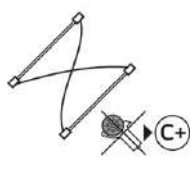






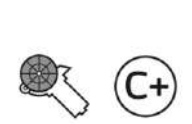




| | | | | | | | |
|---------|--|--|--|--|--------------|--------------|--|
| 30/2075 | | | | | | 81626456053* | |
| 30/2074 | | | | | 81626456052* | | |

| Modello Model | Porte Doors | Configurazione Configurations | Foto Pictures | Connettore Connector | Cross OE | Alt. OE | Istruzioni Instructions |
|------------------|----------------|----------------------------------|------------------|-------------------------|----------|---------|----------------------------|
|------------------|----------------|----------------------------------|------------------|-------------------------|----------|---------|----------------------------|

TGS 2 D 2005 ->


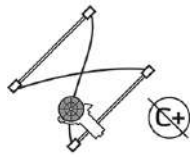




| | | | | | | | |
|---------|--|---|---|--|-------------|--------------|---|
| 30/1779 |  |  |  | | | 81626456055* |  |
| 30/1778 |  |  |  | | | 81626456054* | |
| 30/3180 |  |  |  | | | 81626456055* |  |
| 30/3179 |  |  |  | | | 81626456054* | |
| 30/3178 |  |  |  |  | 81286016137 | |  |
| 30/3177 |  | | | | 81286016138 | | |

TGX 2 D 2006 ->

| | | | | | | | |
|---------|---|---|---|--|-------------|--------------|---|
| 30/1779 |  |  |  | | | 81626456055* |  |
| 30/1778 |  |  |  | | | 81626456054* | |
| 30/3180 |  |  |  | | | 81626456055* |  |
| 30/3179 |  |  |  | | | 81626456054* | |
| 30/3178 |  |  |  |  | 81286016137 | |  |
| 30/3177 |  | | | | 81286016138 | | |

| Modello Model | Porte Doors | Configurazione Configurations | Foto Pictures | Connettore Connector | Cross OE | Alt. OE | Istruzioni Instructions |
|------------------|----------------|----------------------------------|------------------|-------------------------|----------|---------|----------------------------|
|------------------|----------------|----------------------------------|------------------|-------------------------|----------|---------|----------------------------|

GRANTURISMO 2 D 2007 ->

| | | | | | | | |
|---------|---|---|---|--|---------|--|---|
| 30/1020 |  |  |  |  | 6991440 | |  |
| 30/1019 |  | | | | 6991210 | | |

| Modello Model | Porte Doors | Configurazione Configurations | Foto Pictures | Connettore Connector | Cross OE | Alt. OE | Istruzioni Instructions |
|------------------|----------------|----------------------------------|------------------|-------------------------|----------|---------|----------------------------|
|------------------|----------------|----------------------------------|------------------|-------------------------|----------|---------|----------------------------|

121 III(JASM, JBSM) 4 D 1996 -> 2003

| | | | | | | | |
|--------|--|--|--|--|---|--|--|
| 30/830 | | | | | 1022283 1022285 1049131 1079231 | | |
| 30/829 | | | | | 1022280 1049130 1079233 1E01058560 | | |

2 (DE_,DH_) 4 D 2007 -> 2015

| | | | | | | | |
|---------|--|--|--|--|---------------------------------------|--|--|
| 30/2407 | | | | | D65159590 D65159590A D65159590B | | |
| 30/2406 | | | | | D65158590 D65158590A D65158590B | | |

2 (DY) 4 D 2003 -> 2007

| | | | | | | | |
|---------|---------|--|--|--|------------|--|--|
| 30/1645 | | | | | DD1459580B | | |
| 30/1644 | RHD | | | | DD1458590B | | |

3 (BK) 4 D 2003 -> 2009

| | | | | | | | |
|---------|--|--|--|--|--|--|--|
| 30/1161 | | | | | BP4K59590 BP4K59590A | | |
| 30/1160 | | | | | BP4K58590 BP4K58590A | | |
| 30/1911 | | | | | BP4K73590A BP4K73590B BP4K73590C BP4K73590D | | |
| 30/1910 | | | | | BP4K72590A BP4K72590B BP4K72590C BP4K72590D | | |

3 (BL) 4 D 2008 -> 2014

| | | | | | | | |
|---------|--|--|--|--|--|--|--|
| 30/2287 | | | | | BBM459590A BBM459590B BBM459590C | | |
| 30/2286 | | | | | BBM458590A BBM458590B BBM458590C | | |

| Modello Model | Porte Doors | Configurazione Configurations | Foto Pictures | Connettore Connector | Cross OE | Alt. OE | Istruzioni Instructions |
|------------------|----------------|----------------------------------|------------------|-------------------------|----------|---------|----------------------------|
|------------------|----------------|----------------------------------|------------------|-------------------------|----------|---------|----------------------------|

3 (BL) 4 D 2008 -> 2014

| | | | | | | | |
|---------|--|--|--|--|-----------|--|--|
| 30/2289 | | | | | BBM473590 | | |
| 30/2288 | | | | | BBM472590 | | |

6 (GG, GY) 4 D 2002 -> 2008

| | | | | | | | |
|---------|--|--|--|--|--|--|--|
| 30/1163 | | | | | GJ6A59590A GJ6A59590B GJ6A59590C GJ6A59590D | | |
| 30/1162 | | | | | GJ6A58590A GJ6A58590B GJ6A58590C GJ6A58590D | | |
| 30/7175 | | | | | GJ6A73590A GJ6A73590B GJ6A73590C GJ6A73590D | | |
| 30/7176 | | | | | GJ6A72590A GJ6A72590B GJ6A72590C GJ6A72590D | | |

6 (GH) 4 D 2007 -> 2013

| | | | | | | | |
|---------|--|--|--|--|-------------------------|--|--|
| 30/2293 | | | | | GS1D59590 GS1D59590A | | |
| 30/2292 | | | | | GS1D58590 GS1D58590A | | |
| 30/2295 | | | | | GS1D73590 GS1D73590A | | |
| 30/2294 | | | | | GS1D72590 GS1D72590A | | |

CX-5 (KE, GH) 4 D 2011 -> 2017

| | | | | | | | |
|---------|--|--|--|--|------------------------|--|--|
| 30/2077 | | | | | KD5359590 KD7759590 | | |
| 30/2076 | | | | | KD5358590 KD7758590 | | |

| Modello Model | Porte Doors | Configurazione Configurations | Foto Pictures | Connettore Connector | Cross OE | Alt. OE | Istruzioni Instructions |
|------------------|----------------|----------------------------------|------------------|-------------------------|----------|---------|----------------------------|
|------------------|----------------|----------------------------------|------------------|-------------------------|----------|---------|----------------------------|

CX-5 (KE, GH) 4 D 2011 -> 2017

| | | | | | | | |
|---------|--|--|--|--|------------------------|--|--|
| 30/2291 | | | | | KD5373590 KD7773590 | | |
| 30/2290 | | | | | KD5372590 KD7772590 | | |

CX-5 (KF) 4 D 2016 ->

| | | | | | | | |
|---------|--|--|---|--|-----------|--|--|
| 30/3104 | | | | | KB7W59590 | | |
| 30/3105 | | | <small>POWER WINDOW LEFT ALZACRISTALLI E ELETTRICO SX</small> | | KB7W58590 | | |

MX-5 I (NA) 2 D 1989 -> 1998


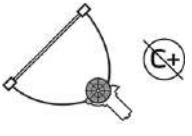





| | | | | | | | |
|---------|--|--|---|--|--|--|--|
| 30/7177 | | | | | NA0259560C NA0259560D NA0259560E NA0259560F | | |
| 30/7178 | | | <small>POWER WINDOW LEFT ALZACRISTALLI ELETTRICO SX</small> | | NA0258560C NA0258560D NA0258560E NA0258560F | | |

MX-5 II (NB) 2 D 1998 -> 2005

| | | | | | | | |
|---------|--|--|--|--|---|--|--|
| 30/2271 | | | | | NC1159560* NC115958X* NC115958XA* NC1159590B* | | |
| 30/2270 | | | <small>POWER WINDOW RIGHT ALZACRISTALLI ELETTRICI DX</small> | | NC115858X* NC115858XA* NC1158590B* NC1158590C* | | |

| Modello Model | Porte Doors | Configurazione Configurations | Foto Pictures | Connettore Connector | Cross OE | Alt. OE | Istruzioni Instructions |
|------------------|----------------|----------------------------------|------------------|-------------------------|----------|---------|----------------------------|
|------------------|----------------|----------------------------------|------------------|-------------------------|----------|---------|----------------------------|

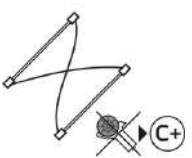








190 (W201) 4 D 1982 -> 1993

| | | | | | | | |
|---------|---|---|---|--|-------------|--|---|
| 30/7191 |  |  |  |  | A2017300346 | |  |
| 30/7192 |  | |  | | A2017300446 | | |


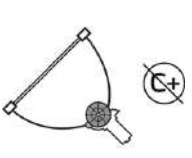






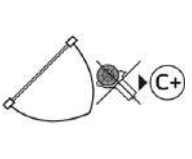




CITAN (W415) 2 D 2012 -> 2021

| | | | | | | | |
|---------|---|---|---|--|---|--|---|
| 30/1537 |  |  |  |  | 807212230 807212230R 807213441R 8200497568 | |  |
| 30/1536 |  | |  | | 807209565 807209565R 807207012R 8200497601 | | |

CLA COUPÉ (C117) 4 D 2013 -> 2019

| | | | | | | | |
|---------|---|---|---|--|--|------------------------------|---|
| 30/2696 |  |  |  | | | A1177200000* A1177200179* |  |
| 30/2695 |  | |  | | | A1177200279* A1177209900* | |
| 30/2698 |  |  |  | | | A1177302500* A1177302700* |  |
| 30/2697 |  | |  | | | A1177302600* A1177302800* | |

CLASSE A (W168) 4 D 1997 -> 2005

| | | | | | | | |
|---------|---|---|---|--|-------------|--|---|
| 30/7179 |  |  |  |  | | A1687200346* A1687201146* A1687201946* A2108202542* |  |
| 30/7180 |  | |  | | | A1687200446* A1687201246* A1687202046* A2108202642* | |
| 30/1080 |  |  |  | | A1687201146 | |  |
| 30/1079 |  | |  | | A1687202046 | | |

| Modello Model | Porte Doors | Configurazione Configurations | Foto Pictures | Connettore Connector | Cross OE | Alt. OE | Istruzioni Instructions |
|------------------|----------------|----------------------------------|------------------|-------------------------|----------|---------|----------------------------|
|------------------|----------------|----------------------------------|------------------|-------------------------|----------|---------|----------------------------|

CLASSE A (W168) 4 D 1997 -> 2005


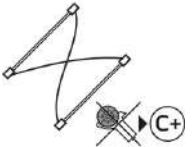












| | | | | | | | |
|---------|--|--|--|--|-------------|--|--|
| 30/7181 | | | | | | A1687300346* A1687301146* A1687301346* A1688201342* | |
| 30/7182 | | | | | | A1387301446* A1687300446* A1687301246* A1688201242* | |
| 30/7185 | | | | | | A1687302146* A1688203342* | |
| 30/7186 | | | | | | A1687302246* A1688203242* | |
| 30/1082 | | | | | A1687201946 | | |
| 30/1081 | | | | | A1687202046 | | |

CLASSE A (W169) 4 D 2004 -> 2012


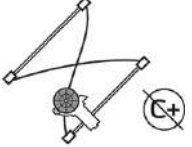






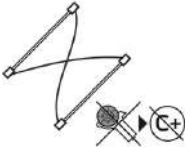




| | | | | | | | |
|---------|--|--|--|--|-------------|--|--|
| 30/7187 | | | | | | A1697200779* A1697203179* A1698201542* A1698201742* | |
| 30/7188 | | | | | | A1697200879* A1697203279* A1698201642* A1698201842* | |
| 30/1655 | | | | | | A1697200779* A1697203179* | |
| 30/1654 | | | | | | A1697203279* A1697200879* | |
| 30/7183 | | | | | | A1697303179* A1698201942* | |
| 30/7184 | | | | | | A1697303279* A1698202042* | |
| 30/1657 | | | | | A1697303179 | | |
| 30/1656 | | | | | A1697303279 | | |

| Modello Model | Porte Doors | Configurazione Configurations | Foto Pictures | Connettore Connector | Cross OE | Alt. OE | Istruzioni Instructions |
|------------------|----------------|----------------------------------|------------------|-------------------------|----------|---------|----------------------------|
|------------------|----------------|----------------------------------|------------------|-------------------------|----------|---------|----------------------------|


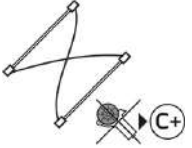












CLASSE A (W176) 4 D 2012 -> 2018

| | | | | | | | |
|---------|---|---|---|--|--|--------------|---|
| 30/2079 |  |  |  | | | A1767200179* |  |
| 30/2078 |  |  |  | | | A1767200279* | |
| 30/2297 |  |  |  | | | A1767300179* |  |
| 30/2296 |  |  |  | | | A1767300279* | |

CLASSE B SPORTS TOURER (W245) 4 D 2005 -> 2011


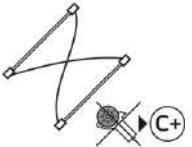









| | | | | | | | |
|---------|---|---|---|---|--|--|---|
| 30/7187 |  |  |  |  | | A1697200779* A1697203179* A1698201542* A1698201742* |  |
| 30/7188 |  |  |  | | | A1697200879* A1697203279* A1698201642* A1698201842* | |
| 30/1655 |  |  |  | | | A1697200779* A1697203179* |  |
| 30/1654 |  |  |  | | | A1697203279* A1697200879* | |

CLASSE B SPORTS TOURER (W246, W242) 4 D 2011 -> 2018

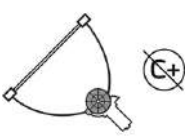

| | | | | | | | |
|---------|---|---|---|--|--|--------------|---|
| 30/2143 |  |  |  | | | A2467200179* |  |
| 30/2142 |  |  |  | | | A2467200279* | |
| 30/2365 |  |  |  | | | A2467300179* |  |
| 30/2364 |  |  |  | | | A2467300279* | |

| Modello Model | Porte Doors | Configurazione Configurations | Foto Pictures | Connettore Connector | Cross OE | Alt. OE | Istruzioni Instructions |
|------------------|----------------|----------------------------------|------------------|-------------------------|----------|---------|----------------------------|
|------------------|----------------|----------------------------------|------------------|-------------------------|----------|---------|----------------------------|


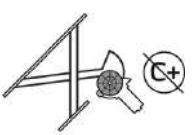




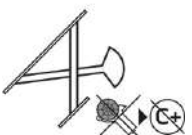




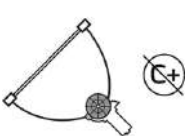





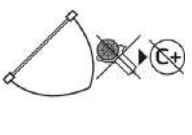



CLASSE C (W205) 4 D 2013 -> 2023

| | | | | | | | |
|---------|---|---|--|--|--|--|---|
| 30/3090 |  |  |  POWER WINDOW LEFT ALZACRISTALLI ELETTRICO SX | | | A2057209111* A2057200179* A2057204923* |  |
| 30/3091 |  |  | | | | A2057209211* A2057200279* A2057205023* | |
| 30/3092 |  |  |  POWER WINDOW LEFT ALZACRISTALLI ELETTRICO SX | | | A2057307901* A2057300179* A2057307904* A2137306705* |  |
| 30/3093 |  | | | | | A2057308001* A2057300279* A2057308004* A2137306805* | |

CLASSE C (W201) 4 D 1982 -> 1993


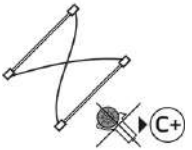




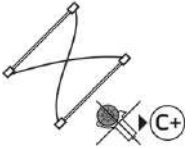




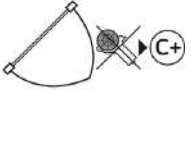




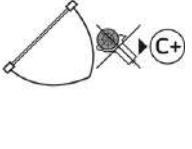



| | | | | | | | |
|---------|--|--|---|--|-------------|---|--|
| 30/7191 |  |  |  POWER WINDOW LEFT ALZACRISTALLI ELETTRICO SX | | A2017300346 | |  |
| 30/7192 |  | | | | A2017300446 |  | |

CLASSE C (W202) 4 D 1993 -> 2000


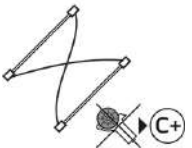




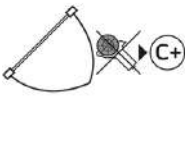



| | | | | | | | |
|---------|---|---|--|--|---|--|---|
| 30/7193 |  |  |  POWER WINDOW LEFT ALZACRISTALLI ELETTRICO SX | | | A2027200546* A2027201146* A2027201546* A2028205542* |  |
| 30/7194 |  | | | | | A2027200646* A2027201246* A2027201646* A2028205642* | |
| 30/1097 |  |  |  POWER WINDOW LEFT ALZACRISTALLI ELETTRICO SX | | A2027200546 A2027201146 A2027201546 | |  |
| 30/1096 |  | | | | A2027200646 A2027201246 A2027201646 | | |
| 30/7195 |  |  |  POWER WINDOW LEFT ALZACRISTALLI ELETTRICO SX | | A2027300746 A2027301346 A2027301946 | |  |
| 30/7196 |  | | | | A2027300846 A2027301446 A2027302046 |  | |
| 30/1099 |  |  |  POWER WINDOW LEFT ALZACRISTALLI ELETTRICO SX | | | A2027300746* A2027301346* A2027301946* |  |
| 30/1098 |  | | | | | A2027300846* A2027301446* A2027302046* | |

| Modello Model | Porte Doors | Configurazione Configurations | Foto Pictures | Connettore Connector | Cross OE | Alt. OE | Istruzioni Instructions |
|------------------|----------------|----------------------------------|------------------|-------------------------|----------|---------|----------------------------|
|------------------|----------------|----------------------------------|------------------|-------------------------|----------|---------|----------------------------|

CLASSE C (W203) 4 D 2000 -> 2007

| | | | | | | | |
|---------|---|---|--|--|-------------|--|---|
| 30/1076 |  |  |  <small>POWER WINDOW LEFT ALZACRISTALLI ELETTRICO SX</small> | | A2037201546 | |  |
| 30/1075 |  | | | | A2037201646 | | |
| 30/1651 |  |  |  <small>POWER WINDOW LEFT ALZACRISTALLI ELETTRICO SX</small> | | A2037203146 | |  |
| 30/1650 |  | | | | A2037203246 | | |
| 30/1078 |  |  |  <small>POWER WINDOW LEFT ALZACRISTALLI ELETTRICO SX</small> | | A2037300346 | |  |
| 30/1077 |  | | | | A2037300446 | | |
| 30/1653 |  |  |  <small>POWER WINDOW LEFT ALZACRISTALLI ELETTRICO SX</small> | | A2037301146 | |  |
| 30/1652 |  | | | | A2037301246 | | |

CLASSE C (W204) 4 D 2007 -> 2015

| | | | | | | | |
|---------|---|---|--|--|--|--|---|
| 30/1913 |  |  |  <small>POWER WINDOW LEFT ALZACRISTALLI ELETTRICO SX</small> | | A2047200579* A2047202479* A2127201579* | |  |
| 30/1912 |  | | | | A2047200679* A2047202579* A2127201679* | | |
| 30/1915 |  |  |  <small>POWER WINDOW LEFT ALZACRISTALLI ELETTRICO SX</small> | | A2047300779* A2127301779* | |  |
| 30/1914 |  | | | | A2047300879* A2127301879* | | |

CLASSE C T-MODEL (S202) 4 D 1996 -> 2001






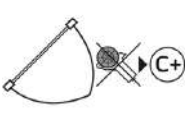



| | | | | | | | |
|---------|---|---|--|--|--|--|---|
| 30/7193 |  |  |  <small>POWER WINDOW LEFT ALZACRISTALLI ELETTRICO SX</small> |  | A2027200546* A2027201146* A2027201546* A2028205542* | |  |
| 30/7194 |  | | | | A2027200646* A2027201246* A2027201646* A2028205642* | | |

| Modello Model | Porte Doors | Configurazione Configurations | Foto Pictures | Connettore Connector | Cross OE | Alt. OE | Istruzioni Instructions |
|------------------|----------------|----------------------------------|------------------|-------------------------|----------|---------|----------------------------|
|------------------|----------------|----------------------------------|------------------|-------------------------|----------|---------|----------------------------|


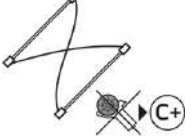




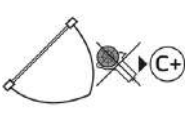



CLASSE C T-MODEL (S202) 4 D 1996 -> 2001

| | | | | | | | |
|---------|--|---|--|--|---|--|---|
| 30/1097 |  |  |  | | A2027200546 A2027201146 A2027201546 | |  |
| 30/1096 |  | | | | A2027200646 A2027201246 A2027201646 | | |
| 30/7195 |  |  |  |  | A2027300746 A2027301346 A2027301946 | |  |
| 30/7196 |  | | | | A2027300846 A2027301446 A2027302046 | | |
| 30/1099 |  |  |  | | | A2027300746* A2027301346* A2027301946* |  |
| 30/1098 |  | | | | | A2027300846* A2027301446* A2027302046* | |

CLASSE C T-MODEL (S204) 4 D 2007 -> 2014


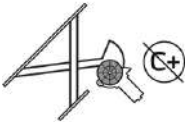




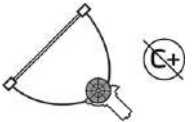




| | | | | | | | |
|---------|---|---|---|--|--|--|---|
| 30/1913 |  |  |  | | | A2047200579* A2047202479* A2127201579* |  |
| 30/1912 |  | | | | | A2047200679* A2047202579* A2127201679* | |
| 30/1915 |  |  |  | | | A2047300779* A2127301779* |  |
| 30/1914 |  | | | | | A2047300879* A2127301879* | |

CLASSE C T-MODEL (S205) 4 D 2014 -> 2023








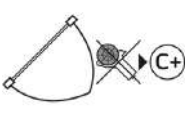




| | | | | | | | |
|---------|---|---|---|--|--|--|---|
| 30/3090 |  |  |  | | | A2057209111* A2057200179* A2057204923* |  |
| 30/3091 |  | | | | | A2057209211* A2057200279* A2057205023* | |
| 30/3092 |  |  |  | | | A2057307901* A2057300179* A2057307904* A2137306705* |  |
| 30/3093 |  | | | | | A2057308001* A2057300279* A2057308004* A2137306805* | |

| Modello Model | Porte Doors | Configurazione Configurations | Foto Pictures | Connettore Connector | Cross OE | Alt. OE | Istruzioni Instructions |
|------------------|----------------|----------------------------------|------------------|-------------------------|----------|---------|----------------------------|
|------------------|----------------|----------------------------------|------------------|-------------------------|----------|---------|----------------------------|








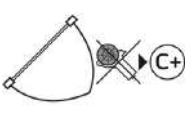




CLASSE E (W124) 4 D 1993 -> 1996

| | | | | | | | |
|---------|---|---|--|--|----------------------------|--|---|
| 30/7189 |  |  |  <small>POWER WINDOW LEFT ALZACRISTALLI ELETTRICO SX</small> |  | | A0038203642* A0048205142* A1247200346* A2017200546* |  |
| 30/7190 |  | | | | | A0038203742* A0048205242* A1247200446* A2017200646* | |
| 30/7197 |  |  |  <small>POWER WINDOW LEFT ALZACRISTALLI ELETTRICO SX</small> |  | A1247300346 A1247300746 | |  |
| 30/7198 |  | | | | A1247300446 A1247300846 | | |

CLASSE E (W210) 4 D 1995 -> 2003


| | | | | | | | |
|---------|---|---|--|--|----------------------------|--|---|
| 30/1024 |  |  |  <small>POWER WINDOW LEFT ALZACRISTALLI ELETTRICO SX</small> |  | A2107200746 A2107201146 | |  |
| 30/1023 |  | | | | A2107200846 A2107201246 | | |
| 30/1026 |  |  |  <small>POWER WINDOW LEFT ALZACRISTALLI ELETTRICO SX</small> |  | A2107300746 A2107301546 | |  |
| 30/1025 |  | | | | A2107300846 A2107301646 | | |

CLASSE E (W211) 4 D 2002 -> 2009

| | | | | | | | |
|---------|---|---|--|--|-------------|--|---|
| 30/1185 |  |  |  <small>POWER WINDOW LEFT ALZACRISTALLI ELETTRICO SX</small> |  | A2117200346 | |  |
| 30/1184 |  | | | | A2117200446 | | |
| 30/1101 |  |  |  <small>POWER WINDOW LEFT ALZACRISTALLI ELETTRICO SX</small> |  | A2117300346 | |  |
| 30/1100 |  | | | | A2117300446 | | |

| Modello Model | Porte Doors | Configurazione Configurations | Foto Pictures | Connettore Connector | Cross OE | Alt. OE | Istruzioni Instructions |
|------------------|----------------|----------------------------------|------------------|-------------------------|----------|---------|----------------------------|
|------------------|----------------|----------------------------------|------------------|-------------------------|----------|---------|----------------------------|


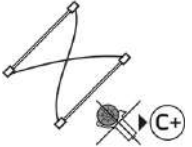







CLASSE E (W212) 4 D 2009 -> 2016

| | | | | | | | |
|---------|---|---|--|--|--|--|---|
| 30/1913 |  |  |  POWER WINDOW LEFT ALZACRISTALLI ELETTRICO SX | | | A2047200579* A2047202479* A2127201579* |  |
| 30/1912 |  | | | | | A2047200679* A2047202579* A2127201679* | |
| 30/1915 |  |  |  A | | | A2047300779* A2127301779* |  |
| 30/1914 |  | | | | | A2047300879* A2127301879* | |

CLASSE E (W213) 4 D 2016 ->

| | | | | | | | |
|---------|--|--|---|--|--|--|--|
| 30/3092 |  |  |  POWER WINDOW LEFT ALZACRISTALLI ELETTRICO SX | | | A2057307901* A2057300179* A2057307904* A2137306705* |  |
| 30/3093 |  | | | | | A2057308001* A2057300279* A2057308004* A2137306805* | |

CLASSE E T-MODEL (S212) 4 D 2009 -> 2016













| | | | | | | | |
|---------|---|---|--|--|--|--|---|
| 30/1913 |  |  |  POWER WINDOW LEFT ALZACRISTALLI ELETTRICO SX | | | A2047200579* A2047202479* A2127201579* |  |
| 30/1912 |  | | | | | A2047200679* A2047202579* A2127201679* | |
| 30/1915 |  |  |  A | | | A2047300779* A2127301779* |  |
| 30/1914 |  | | | | | A2047300879* A2127301879* | |

CLASSE E T-MODEL (S213) 4 D 2016 -> 2023


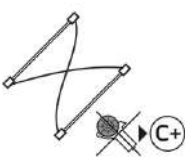




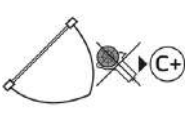



| | | | | | | | |
|---------|---|---|--|--|--|--|---|
| 30/3092 |  |  |  POWER WINDOW LEFT ALZACRISTALLI ELETTRICO SX | | | A2057307901* A2057300179* A2057307904* A2137306705* |  |
| 30/3093 |  | | | | | A2057308001* A2057300279* A2057308004* A2137306805* | |

| Modello Model | Porte Doors | Configurazione Configurations | Foto Pictures | Connettore Connector | Cross OE | Alt. OE | Istruzioni Instructions |
|------------------|----------------|----------------------------------|------------------|-------------------------|----------|---------|----------------------------|
|------------------|----------------|----------------------------------|------------------|-------------------------|----------|---------|----------------------------|


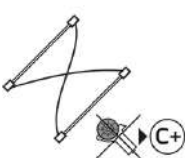




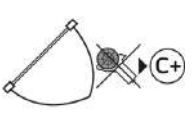



CLASSE G (W461-W463) 4 D 1989 ->

| | | | | | | | |
|---------|---|---|---|--|-------------|--|---|
| 30/1939 |  |  |  |  | A4607200746 | |  |
| 30/1938 |  | | | | A4607200846 | | |
| 30/1941 |  |  |  |  | A4607300646 | |  |
| 30/1940 |  | | | | A4607300546 | | |

CLASSE GL (X164) 4 D 2006 -> 2012

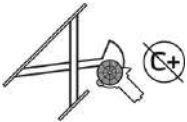







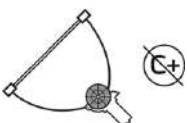



| | | | | | | | |
|---------|---|---|---|--|------------------------------|--|---|
| 30/1647 |  |  |  | | A1647201179 A1647201579 | |  |
| 30/1646 |  | | | | A1647201279 A1647201679 | | |
| 30/1801 |  |  |  | | A1647300379* A1647303179* | |  |
| 30/1800 |  | | | | A1647300479* A1647303279* | | |

CLASSE GLA (X156) 4 D 2013 -> 2022







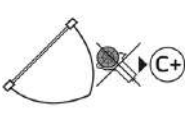



| | | | | | | | |
|---------|---|---|---|--|--------------|--|---|
| 30/2079 |  |  |  | | A1767200179* | |  |
| 30/2078 |  | | | | A1767200279* | | |
| 30/2297 |  |  |  | | A1767300179* | |  |
| 30/2296 |  | | | | A1767300279* | | |

| Modello Model | Porte Doors | Configurazione Configurations | Foto Pictures | Connettore Connector | Cross OE | Alt. OE | Istruzioni Instructions |
|------------------|----------------|----------------------------------|------------------|-------------------------|----------|---------|----------------------------|
|------------------|----------------|----------------------------------|------------------|-------------------------|----------|---------|----------------------------|


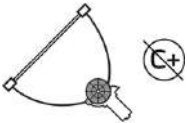




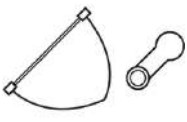



CLASSE M (W163) 4 D 1998 -> 2005

| | | | | | | | |
|---------|---|---|---|--|-------------|--|---|
| 30/1661 |  |  |  | | | A1637201146* A1638200342* A1638202742* |  |
| 30/1660 |  | | | | | A1637201246* A1638200442* A1638202842* | |
| 30/1649 |  |  |  | | A1637201146 | |  |
| 30/1648 |  | | | | A1637201246 | | |
| 30/7199 |  |  |  | | | A1637300146* A1638200142* |  |
| 30/7200 |  | | | | | A1637300246* A1638200242* | |

CLASSE M (W164) 4 D 2005 -> 2012

| | | | | | | | |
|---------|---|---|---|--|----------------------------|------------------------------|---|
| 30/1647 |  |  |  | | A1647201179 A1647201579 | |  |
| 30/1646 |  | | | | A1647201279 A1647201679 | | |
| 30/1801 |  |  |  | | | A1647300379* A1647303179* |  |
| 30/1800 |  | | | | | A1647300479* A1647303279* | |

CLASSE V (638/2) 2 D 1996 -> 2003

| | | | | | | | |
|---------|---|---|---|--|---------------------------|------------------------------|---|
| 30/1325 |  |  |  | | | A0068201842* A6387200046* |  |
| 30/1324 |  | | | | | A0068201942* A6387200146* | |
| 30/233B |  |  |  | | 6387200246 A6387200246 | |  |
| 30/233 |  | | | | 6387200346 A6387200346 | | |

| Modello Model | Porte Doors | Configurazione Configurations | Foto Pictures | Connettore Connector | Cross OE | Alt. OE | Istruzioni Instructions |
|------------------|----------------|----------------------------------|------------------|-------------------------|----------|---------|----------------------------|
|------------------|----------------|----------------------------------|------------------|-------------------------|----------|---------|----------------------------|

CLASSE V (W447) 2 D 2014 ->

| | | | | | | | |
|---------|---|---|---|--|--|--------------|---|
| 30/2966 |  |  |  | | | A4477203900* |  |
| 30/2967 |  |  |  | | | A4477204000* | |


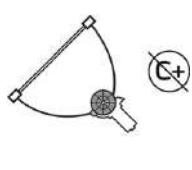



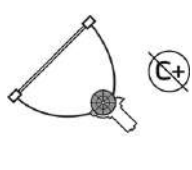


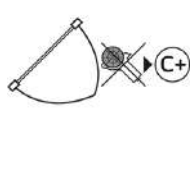



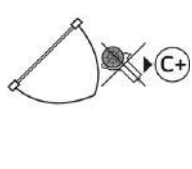

CLK (C209) 2 D 2002 -> 2010

| | | | | | | | |
|---------|---|---|---|--|-------------|--|---|
| 30/2145 |  |  |  | | A2097200746 | |  |
| 30/2144 |  |  |  | | A2097200846 | | |

SPRINTER (B901, B902) 2 D 1995 -> 2006

| | | | | | | | |
|---------|---|--|--|--|--|--|--|
| 30/1763 |  |  |  | | | A0058202342* A6908200008* A9017201146* A9017201946* |  |
| 30/1762 |  |  |  | | | A0058202242* A6908200108* A9017201246* A9017202046* | |

SPRINTER (B906) 2 D 2006 -> 2019

| | | | | | | | |
|---------|---|---|---|--|--------------------------|--|---|
| 30/1769 |  |  |  | | | 2E0837401* 2E0959802* A0068205442* A9067200046* |  |
| 30/1768 |  |  |  | | | 2E0837402* 2E0959801* A0068205542* A9067200146* | |
| 30/2179 |  |  |  | | 2E0837401 A9067200046 | |  |
| 30/2178 |  |  |  | | 2E0837402 A9067200146 | | |

STEYR (ARGENTINA) 4 D 1979 ->

| | | | | | | | |
|---------|---|---|---|--|-------------|--|---|
| 30/242B |  |  |  | | A4617200246 | |  |
| 30/242 |  |  |  | | A4617200346 | | |

| Modello Model | Porte Doors | Configurazione Configurations | Foto Pictures | Connettore Connector | Cross OE | Alt. OE | Istruzioni Instructions |
|------------------|----------------|----------------------------------|------------------|-------------------------|----------|---------|----------------------------|
|------------------|----------------|----------------------------------|------------------|-------------------------|----------|---------|----------------------------|










STEYR (ARGENTINA) 4 D 1979 ->

| | | | | | | | |
|---------|---|---|---|--|-------------|--|---|
| 30/243B |  |  |  | | A4617200446 | |  |
| 30/243 |  | | | | A4617200546 | | |







STEYR (NUOVO MODELLO / NEW MODEL / NUEVO MODELO) 4 1979 ->

| | | | | | | | |
|---------|---|---|---|--|--------------|--|---|
| 30/241B |  |  |  | | A15200330009 | |  |
| 30/241 |  | | | | A15200330008 | | |

STEYR 4 D 1979 ->

| | | | | | | | |
|---------|---|---|---|--|-------------|--|---|
| 30/238B |  |  |  | | A4607200046 | |  |
| 30/238 |  | | | | A4607200146 | | |
| 30/239B |  |  |  | | A4607200546 | |  |
| 30/239 |  | | | | A4607200646 | | |
| 30/240B |  |  |  | | A4607300746 | |  |
| 30/240 |  | | | | A4607300846 | | |

STEYR WDB460 - 464 4 D 1979 ->

| | | | | | | | |
|---------|---|---|---|--|--|-------------|---|
| 30/1939 |  |  |  |  | | A4607200746 |  |
| 30/1938 |  | | | | | A4607200846 | |

| Modello Model | Porte Doors | Configurazione Configurations | Foto Pictures | Connettore Connector | Cross OE | Alt. OE | Istruzioni Instructions |
|------------------|----------------|----------------------------------|------------------|-------------------------|----------|---------|----------------------------|
|------------------|----------------|----------------------------------|------------------|-------------------------|----------|---------|----------------------------|

STEYR WDB460 - 464 4 D 1979 ->

| | | | | | | | |
|---------|--|--|--|--|-------------|--|--|
| 30/1941 | | | | | A4607300646 | | |
| 30/1940 | | | | | A4607300546 | | |

VIANO (W639) 2 D 2003 ->

| | | | | | | | |
|---------|--|--|--|--|-------------|--------------|--|
| 30/1319 | | | | | A6397200046 | | |
| 30/1318 | | | | | A6397200146 | | |
| 30/1869 | | | | | | A6397200446* | |
| 30/1868 | | | | | | A6397200546* | |

VITO 1-SERIES (W638) 2 D 1996 -> 2003

| | | | | | | | |
|---------|--|--|--|--|---------------------------|------------------------------|--|
| 30/1325 | | | | | | A0068201842* A6387200046* | |
| 30/1324 | | | | | | A0068201942* A6387200146* | |
| 30/233B | | | | | 6387200246 A6387200246 | | |
| 30/233 | | | | | 6387200346 A6387200346 | | |

VITO 2-SERIES / MIXTO (W639) 2 D 2003 ->


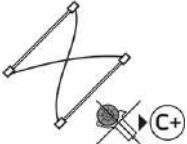





| | | | | | | | |
|---------|--|--|--|--|-------------|--|--|
| 30/1319 | | | | | A6397200046 | | |
| 30/1318 | | | | | A6397200146 | | |

| Modello Model | Porte Doors | Configurazione Configurations | Foto Pictures | Connettore Connector | Cross OE | Alt. OE | Istruzioni Instructions |
|------------------|----------------|----------------------------------|------------------|-------------------------|----------|---------|----------------------------|
|------------------|----------------|----------------------------------|------------------|-------------------------|----------|---------|----------------------------|

VITO 2-SERIES / MIXTO (W639) 2 D 2003 ->

| | | | | | | | |
|---------|---|---|---|--|--|--------------|---|
| 30/1869 |  |  |  | | | A6397200446* |  |
| 30/1868 |  |  |  | | | A6397200546* | |

VITO 3-SERIES (W447) 2 D 2014 ->

| | | | | | | | |
|---------|---|---|---|--|--|--------------|---|
| 30/2966 |  |  |  | | | A4477203900* |  |
| 30/2967 |  |  |  | | | A4477204000* | |

| Modello Model | Porte Doors | Configurazione Configurations | Foto Pictures | Connettore Connector | Cross OE | Alt. OE | Istruzioni Instructions |
|------------------|----------------|----------------------------------|------------------|-------------------------|----------|---------|----------------------------|
|------------------|----------------|----------------------------------|------------------|-------------------------|----------|---------|----------------------------|

ACTROS MP1 2 D 1996 -> 2003

| | | | | | | | |
|---------|--|--|--|--|--|---|--|
| 30/1777 | | | | | | 0058209042* A0007200079* A0007250002* | |
| 30/1776 | | | | | | 0058209142* A0007250102* A0007200179* | |
| 30/2616 | | | | | | A0007200079* A0007250002* | |
| 30/2615 | | | | | | A0007250102* A0007200179* | |

ACTROS MP2 2 D 2002 ->

| | | | | | | | |
|---------|--|--|--|--|--|------------------------------|--|
| 30/2177 | | | | | | A0007200079* | |
| 30/2176 | | | | | | A0007200179* | |
| 30/2616 | | | | | | A0007200079* A0007250002* | |
| 30/2615 | | | | | | A0007250102* A0007200179* | |

ACTROS MP3 2 D 2002 ->


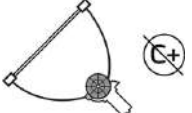





| | | | | | | | |
|---------|--|--|--|--|--|------------------------------|--|
| 30/2177 | | | | | | A0007200079* | |
| 30/2176 | | | | | | A0007200179* | |
| 30/2616 | | | | | | A0007200079* A0007250002* | |
| 30/2615 | | | | | | A0007250102* A0007200179* | |

| Modello Model | Porte Doors | Configurazione Configurations | Foto Pictures | Connettore Connector | Cross OE | Alt. OE | Istruzioni Instructions |
|------------------|----------------|----------------------------------|------------------|-------------------------|----------|---------|----------------------------|
|------------------|----------------|----------------------------------|------------------|-------------------------|----------|---------|----------------------------|


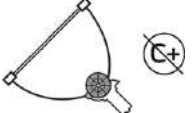





ACTROS MP4 2 D 2011 ->

| | | | | | | | |
|---------|---|---|---|--|-------------|--|---|
| 30/2189 |  |  |  | | A9607201746 | |  |
| 30/2188 |  |  |  | | A9607201646 | | |


AROCS 2 D 2013 ->

| | | | | | | | |
|---------|---|---|---|--|-------------|--|---|
| 30/1773 |  |  |  |  | A9737200346 | |  |
| 30/1772 |  |  | | | A9737200446 | | |


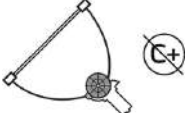





ATEGO 2 D 1998 -> 2004

| | | | | | | | |
|---------|---|---|---|--|-------------|--|--|
| 30/1773 |  |  |  |  | A9737200346 | |  |
| 30/1772 |  |  | | | A9737200446 | | |

ATEGO 2 D 1998 -> 2004

| | | | | | | | |
|---------|---|---|---|--|------------|--|---|
| 30/280B |  |  |  | | 9737200146 | |  |
| 30/280 |  |  | | | 9737200246 | | |

AXOR 2 D 2001 -> 2005

| | | | | | | | |
|---------|---|---|---|--|-------------|--|---|
| 30/1773 |  |  |  |  | A9737200346 | |  |
| 30/1772 |  |  | | | A9737200446 | | |

ATEGO 2 D 1998 -> 2004

| | | | | | | | |
|---------|---|---|---|--|------------|--|---|
| 30/280B |  |  |  | | 9737200146 | |  |
| 30/280 |  |  | | | 9737200246 | | |

| Modello Model | Porte Doors | Configurazione Configurations | Foto Pictures | Connettore Connector | Cross OE | Alt. OE | Istruzioni Instructions |
|------------------|----------------|----------------------------------|------------------|-------------------------|----------|---------|----------------------------|
|------------------|----------------|----------------------------------|------------------|-------------------------|----------|---------|----------------------------|

TF 2 D 2002 -> 2009

| | | | | | | | |
|---------|--|--|--|--|--|--|--|
| 30/7201 | | | | | | | |
| 30/7202 | | | | | | | |

ZR 2 D 2001 -> 2005

| | | | | | | | |
|---------|--|--|--|--|-----------|--|--|
| 30/7203 | | | | | CUH101910 | | |
| 30/7204 | | | | | CUH101900 | | |

ZR 4 D 2001 -> 2005

| | | | | | | | |
|---------|--|--|--|--|-----------|--|--|
| 30/7203 | | | | | CUH101910 | | |
| 30/7204 | | | | | CUH101900 | | |

| Modello Model | Porte Doors | Configurazione Configurations | Foto Pictures | Connettore Connector | Cross OE | Alt. OE | Istruzioni Instructions |
|------------------|----------------|----------------------------------|------------------|-------------------------|----------|---------|----------------------------|
|------------------|----------------|----------------------------------|------------------|-------------------------|----------|---------|----------------------------|

MINI (R50, R53) 2 D 2001 -> 2006

| | | | | | | | |
|---------|--|--|--|--|-------------|--------------|--|
| 30/1575 | | | | | 67626955875 | 51337039451* | |
| 30/1574 | | | | | 67626955876 | 51337039452* | |
| 30/1181 | | | | | 67626955875 | | |
| 30/1180 | | | | | 67626955876 | | |
| 30/1203 | | | | | 51337039451 | | |
| 30/1202 | | | | | 51337039452 | | |

MINI (R52) CABRIOLET 2 D 2004 -> 2008

| | | | | | | | |
|---------|--|--|--|--|-------------|--------------|--|
| 30/1575 | | | | | 67626955875 | 51337039451* | |
| 30/1574 | | | | | 67626955876 | 51337039452* | |
| 30/1181 | | | | | 67626955875 | | |
| 30/1180 | | | | | 67626955876 | | |
| 30/1203 | | | | | 51337039451 | | |
| 30/1202 | | | | | 51337039452 | | |

MINI (R55) CLUBMAN 2 D 2006 -> 2015

| | | | | | | | |
|---------|--|--|--|--|-------------|--|--|
| 30/1957 | | | | | 51332756083 | | |
| 30/1956 | | | | | 51332756084 | | |

| Modello Model | Porte Doors | Configurazione Configurations | Foto Pictures | Connettore Connector | Cross OE | Alt. OE | Istruzioni Instructions |
|------------------|----------------|----------------------------------|------------------|-------------------------|----------|---------|----------------------------|
|------------------|----------------|----------------------------------|------------------|-------------------------|----------|---------|----------------------------|

MINI (R56) 2 D 2005 -> 2014

| | | | | | | | |
|---------|--|--|--|--|-------------|--|--|
| 30/1957 | | | | | 51332756083 | | |
| 30/1956 | | | | | 51332756084 | | |

MINI (R57) CABRIOLET 2 D 2007 -> 2015

| | | | | | | | |
|---------|--|--|--|--|-------------|--|--|
| 30/1957 | | | | | 51332756083 | | |
| 30/1956 | | | | | 51332756084 | | |

MINI (R60) COUNTRYMAN 4 D 2010 -> 2016

| | | | | | | | |
|---------|--|--|--|--|-------------|--|--|
| 30/1959 | | | | | 51339805669 | | |
| 30/1958 | | | | | 51339805670 | | |
| 30/1961 | | | | | 51359805671 | | |
| 30/1960 | | | | | 51359805672 | | |

MINI (F54) CLUBMAN 4 D 2014 ->

| | | | | | | | |
|---------|--|--|--|--|---|--|--|
| 30/2059 | | | | | 67627354889 67627354890 67627405701 | | |
| 30/2058 | | | | | 67627354889 67627354890 67627405702 | | |
| 30/2043 | | | | | 51337437547 | | |
| 30/2042 | | | | | 51337437548 | | |

| Modello Model | Porte Doors | Configurazione Configurations | Foto Pictures | Connettore Connector | Cross OE | Alt. OE | Istruzioni Instructions |
|------------------|----------------|----------------------------------|------------------|-------------------------|----------|---------|----------------------------|
|------------------|----------------|----------------------------------|------------------|-------------------------|----------|---------|----------------------------|

MINI (F54) CLUBMAN 4 D 2014 ->

| | | | | | | | |
|---------|--|--|--|--|----------------------------|--|--|
| 30/2063 | | | | | 67627354889 67627354890 | | |
| 30/2062 | | | | | 67627354889 67627354890 | | |
| 30/2045 | | | | | 51357437549 51357490205 | | |
| 30/2044 | | | | | 51357437550 51357490206 | | |

MINI (F55) 4 D 2013 ->

| | | | | | | | |
|---------|--|--|--|--|---|------------------------------|--|
| 30/2059 | | | | | 67627354889 67627354890 67627405701 | | |
| 30/2058 | | | | | 67627354889 67627354890 67627405702 | | |
| 30/2702 | | | | | | 51337409357* 67627405701* | |
| 30/2701 | | | | | | 51337409358* 67627405702* | |
| 30/2039 | | | | | 51337409357 | | |
| 30/2038 | | | | | 51337409358 | | |
| 30/2063 | | | | | 67627354889 67627354890 | | |
| 30/2062 | | | | | 67627354889 67627354890 | | |
| 30/2041 | | | | | 51357409359 51357490207 | | |
| 30/2040 | | | | | 51357409360 51357490208 | | |

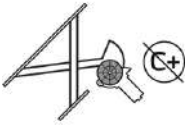









| Modello Model | Porte Doors | Configurazione Configurations | Foto Pictures | Connettore Connector | Cross OE | Alt. OE | Istruzioni Instructions |
|------------------|----------------|----------------------------------|------------------|-------------------------|----------|---------|----------------------------|
|------------------|----------------|----------------------------------|------------------|-------------------------|----------|---------|----------------------------|

MINI (F57) CABRIOLET 2 D 2014 ->

| | | | | | | | |
|---------|---|---|--|--|-------------|--|---|
| 30/3110 |  |  |  <small>POWER WINDOW LEFT ALZACRISTALLI ELETTRICO SX</small> | | 51337296443 | |  |
| 30/3111 |  | | | | 51337296444 | | |

| Modello Model | Porte Doors | Configurazione Configurations | Foto Pictures | Connettore Connector | Cross OE | Alt. OE | Istruzioni Instructions |
|------------------|----------------|----------------------------------|------------------|-------------------------|----------|---------|----------------------------|
|------------------|----------------|----------------------------------|------------------|-------------------------|----------|---------|----------------------------|

ASX (GA_W_) 4 D 2009 ->

| | | | | | | | |
|---------|--|---|--|--|----------|-----------|---|
| 30/3034 |  |  |  POWER WINDOW LEFT ALZACRISTALLI ELETTRICO SX |  | | 5713A255* |  |
| 30/3033 |  | | | | | 5713A256* | |
| 30/3042 |  |  |  POWER WINDOW LEFT ALZACRISTALLI ELETTRICO SX | | 5713A255 | |  |
| 30/3041 |  |  | | | 5713A256 | | |
| 30/3064 |  |  |  POWER WINDOW LEFT ALZACRISTALLI ELETTRICO SX |  | | 5743A177* |  |
| 30/3063 |  | | | | | 5743A178* | |





CANTER (FE5, FE6) VI 2 D 1986 ->

| | | | | | | | |
|---------|---|---|--|--|----------|--|---|
| 30/7205 |  |  |  POWER WINDOW LEFT ALZACRISTALLI ELETTRICO SX |  | ML110023 | |  |
| 30/7206 |  | | | | ML110024 | | |

COLT V (CJ_CP_) 2 D 1995 -> 2004

| | | | | | | | |
|---------|---|---|--|--|--|-------------------------------------|---|
| 30/7207 |  |  |  POWER WINDOW LEFT ALZACRISTALLI ELETTRICO SX |  | | MR186733* MR186735* MR503081* |  |
| 30/7208 |  | | | | | MB827402* MR186736* MR503082* | |

COLT VI CZC CABRIOLET (RG) 2 D 2006 -> 2009

| | | | | | | | |
|---------|---|---|---|--|--|--|---|
| 30/2724 |  |  |  POWER WINDOW RIGHT ALZACRISTALLI ELETTRICO DX |  | | MN105755* MN300932* MN301468* MN301862* |  |
| 30/2723 |  |  | | | | MN105756* MN300931* MN301467* MN301734* | |

| Modello Model | Porte Doors | Configurazione Configurations | Foto Pictures | Connettore Connector | Cross OE | Alt. OE | Istruzioni Instructions |
|------------------|----------------|----------------------------------|------------------|-------------------------|----------|---------|----------------------------|
|------------------|----------------|----------------------------------|------------------|-------------------------|----------|---------|----------------------------|

COLT VI CZC CABRIOLET (RG) 2 D 2006 -> 2009

| | | | | | | | |
|---------|---|---|---|--|--|------------------------|---|
| 30/2726 |  |  |  | | | MN301466* MN301860* |  |
| 30/2725 |  | | | | | MN301465* MN301859* | |











DODGE RAIDER 2 D 1987 -> 1989

| | | | | | | | |
|---------|---|---|---|--|--|--|---|
| 30/7121 |  |  |  | | | HG040001* HK778110* HR514010* MB171249* |  |
| 30/7122 |  | | | | | HG040002* HK778120* HR514020* MB171250* | |

DODGE RAIDER 4 D 1987 -> 1989

| | | | | | | | |
|---------|---|--|--|--|--|--|--|
| 30/7121 |  |  |  | | | HG040001* HK778110* HR514010* MB171249* |  |
| 30/7122 |  | | | | | HG040002* HK778120* HR514020* MB171250* | |

L200 - TRITON (KA_T, KB_T) 4 D 2004 -> 2018

| | | | | | | | |
|---------|---|---|---|--|--|----------|---|
| 30/2165 |  |  |  | | | MN182365 |  |
| 30/2164 |  | | | | | MN182366 | |
| 30/2167 |  |  |  | | | MN182403 |  |
| 30/2166 |  | | | | | MN182404 | |

L200 (K7_T, K6_T) 2 D 1996 -> 2011

| | | | | | | | |
|---------|---|---|---|--|--|----------------------------------|---|
| 30/7209 |  |  |  | | | 5713A017 5713A019 MR144595 |  |
| 30/7210 |  | | | | | 5713A018 MR144596 MR181922 | |

| Modello Model | Porte Doors | Configurazione Configurations | Foto Pictures | Connettore Connector | Cross OE | Alt. OE | Istruzioni Instructions |
|------------------|----------------|----------------------------------|------------------|-------------------------|----------|---------|----------------------------|
|------------------|----------------|----------------------------------|------------------|-------------------------|----------|---------|----------------------------|

L200 (K7_T, K6_T) 4 D 1996 -> 2011

| | | | | | | | |
|---------|---|---|---|--|----------------------------------|--|---|
| 30/7209 |  |  |  |  | 5713A017 5713A019 MR144595 | |  |
| 30/7210 |  | |  | | 5713A018 MR144596 MR181922 | | |

MONTERO 2 D 1979 -> 1991

| | | | | | | | |
|---------|---|---|---|--|--|--|---|
| 30/7121 |  |  |  |  | | HG040001* HK778110* HR514010* MB171249* |  |
| 30/7122 |  | |  | | | HG040002* HK778120* HR514020* MB171250* | |

MONTERO 4 D 1979 -> 1991

| | | | | | | | |
|---------|---|--|---|---|--|--|--|
| 30/7121 |  |  |  |  | | HG040001* HK778110* HR514010* MB171249* |  |
| 30/7122 |  | |  | | | HG040002* HK778120* HR514020* MB171250* | |

MONTERO V21 2 D 1991 -> 2000

| | | | | | | | |
|---------|---|---|---|--|--|------------------------|---|
| 30/7211 |  |  |  |  | | MB517475* MB669161* |  |
| 30/7212 |  | |  | | | MB517476* MB669162* | |

MONTERO V21 4 D 1991 -> 2000

| | | | | | | | |
|---------|---|---|---|--|--|------------------------|---|
| 30/7211 |  |  |  |  | | MB517475* MB669161* |  |
| 30/7212 |  | |  | | | MB517476* MB669162* | |

MONTERO V44 2 D 1991 -> 2000


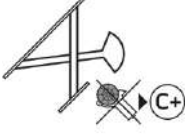




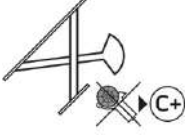



| | | | | | | | |
|---------|---|---|---|--|--|------------------------|---|
| 30/7211 |  |  |  |  | | MB517475* MB669161* |  |
| 30/7212 |  | |  | | | MB517476* MB669162* | |

| Modello Model | Porte Doors | Configurazione Configurations | Foto Pictures | Connettore Connector | Cross OE | Alt. OE | Istruzioni Instructions |
|------------------|----------------|----------------------------------|------------------|-------------------------|----------|---------|----------------------------|
|------------------|----------------|----------------------------------|------------------|-------------------------|----------|---------|----------------------------|

MONTERO V44 4 D 1991 -> 2000

| | | | | | | | |
|---------|---|---|--|--|--|------------------------|---|
| 30/7211 |  |  |  <small>POWER WINDOW LEFT ALZACRISTALLI ELETTRICO SX</small> |  | | MB517475* MB669161* |  |
| 30/7212 |  | | | | | MB517476* MB669162* | |

OUTLANDER II (CW_W) 4 D 2005 -> 2012

| | | | | | | | |
|---------|--|--|---|--|--------------------|--|--|
| 30/2912 |  |  |  <small>POWER WINDOW LEFT ALZACRISTALLI ELETTRICO SX</small> | | 5713A087 9221CT | |  |
| 30/2911 |  | | | | 5713A354 9222CS | | |
| 30/2920 |  |  |  <small>POWER WINDOW LEFT ALZACRISTALLI ELETTRICO SX</small> | | 5743A049 9223C3 | |  |
| 30/2919 |  | | | | 5743A049 9223C3 | | |

PAJERO I (L04_G, L14_G) 2 D 1982 -> 1991

| | | | | | | | |
|---------|---|---|--|--|--|--|---|
| 30/7121 |  |  |  <small>POWER WINDOW LEFT ALZACRISTALLI ELETTRICO SX</small> |  | | HG040001* HK778110* HR514010* MB171249* |  |
| 30/7122 |  | | | | | HG040002* HK778120* HR514020* MB171250* | |

PAJERO I (L04_G, L14_G) 4 D 1982 -> 1991

| | | | | | | | |
|---------|---|---|--|--|--|--|---|
| 30/7121 |  |  |  <small>POWER WINDOW LEFT ALZACRISTALLI ELETTRICO SX</small> |  | | HG040001* HK778110* HR514010* MB171249* |  |
| 30/7122 |  | | | | | HG040002* HK778120* HR514020* MB171250* | |

PAJERO II (V3_W, V2_W, V4_W) 2 D 1990 -> 2001

| | | | | | | | |
|---------|---|---|--|--|--|------------------------|---|
| 30/7211 |  |  |  <small>POWER WINDOW LEFT ALZACRISTALLI ELETTRICO SX</small> |  | | MB517475* MB669161* |  |
| 30/7212 |  | | | | | MB517476* MB669162* | |

| Modello Model | Porte Doors | Configurazione Configurations | Foto Pictures | Connettore Connector | Cross OE | Alt. OE | Istruzioni Instructions |
|------------------|----------------|----------------------------------|------------------|-------------------------|----------|---------|----------------------------|
|------------------|----------------|----------------------------------|------------------|-------------------------|----------|---------|----------------------------|


















PAJERO II (V3_W, V2_W, V4_W) 2 D 1990 -> 2001

| | | | | | | | |
|---------|---|---|---|--|----------|--|---|
| 30/1871 |  |  |  | | MB669161 | |  |
| 30/1870 |  | | | | MB669162 | | |

PAJERO II (V3_W, V2_W, V4_W) 4 D 1990 -> 2001

| | | | | | | | |
|---------|---|---|---|--|----------|------------------------|---|
| 30/7211 |  |  |  |  | | MB517475* MB669161* |  |
| 30/7212 |  | | | | | MB517476* MB669162* | |
| 30/1871 |  |  |  | | MB669161 | |  |
| 30/1870 |  | | | | MB669162 | | |
| 30/1873 |  |  |  | | MR393530 | |  |
| 30/1872 |  | | | | MR393529 | | |

PAJERO III (V7_W, V6_W) 4 D 1999 -> 2007


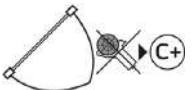



| | | | | | | | |
|---------|---|---|---|--|----------------------|------------------------|---|
| 30/2730 |  |  |  |  | | MN117047* MR462789* |  |
| 30/2729 |  | | | | | MN117048* MR462790* | |
| 30/1663 |  |  |  | | MN117047 MN167271 | |  |
| 30/1662 |  | | | | MN117048 MR462790 | | |
| 30/2732 |  |  |  |  | | 5743A089* |  |
| 30/2731 |  | | | | | 5743A090* | |

| Modello Model | Porte Doors | Configurazione Configurations | Foto Pictures | Connettore Connector | Cross OE | Alt. OE | Istruzioni Instructions |
|------------------|----------------|----------------------------------|------------------|-------------------------|----------|---------|----------------------------|
|------------------|----------------|----------------------------------|------------------|-------------------------|----------|---------|----------------------------|

PAJERO III (V7_W, V6_W) 4 D 1999 -> 2007

| | | | | | | | |
|---------|---|---|---|--|----------------------|--|---|
| 30/1665 |  |  |  | | MN117067 MR523513 | |  |
| 30/1664 |  | | | | MN117068 MR523514 | | |

PAJERO III (V7_W, V6_W) ESCLUSO PININ 2 D 1999 -> 2007

| | | | | | | | |
|---------|---|---|---|--|----------|--|---|
| 30/7213 |  |  |  | | MN117047 | |  |
| 30/7214 |  | | | | MN117048 | | |

PAJERO SPORT I (K7_ , K9_) 2 D 1996 ->

| | | | | | | | |
|---------|---|--|--|---|----------------------------------|--|--|
| 30/7209 |  |  |  |  | 5713A017 5713A019 MR144595 | |  |
| 30/7210 |  | | | | 5713A018 MR144596 MR181922 | | |

PAJERO SPORT I (K7_ , K9_) 4 D 1996 ->

| | | | | | | | |
|---------|---|---|---|--|----------------------------------|--|---|
| 30/7209 |  |  |  |  | 5713A017 5713A019 MR144595 | |  |
| 30/7210 |  | | | | 5713A018 MR144596 MR181922 | | |

SHOGUN 2 D 1979 -> 1991

| | | | | | | | |
|---------|---|---|---|--|--|--|---|
| 30/7121 |  |  |  |  | HG040001* HK778110* HR514010* MB171249* | |  |
| 30/7122 |  | | | | HG040002* HK778120* HR514020* MB171250* | | |

SHOGUN 4 D 1979 -> 1991

| | | | | | | | |
|---------|---|---|---|--|--|--|---|
| 30/7121 |  |  |  |  | HG040001* HK778110* HR514010* MB171249* | |  |
| 30/7122 |  | | | | HG040002* HK778120* HR514020* MB171250* | | |

| Modello Model | Porte Doors | Configurazione Configurations | Foto Pictures | Connettore Connector | Cross OE | Alt. OE | Istruzioni Instructions |
|------------------|----------------|----------------------------------|------------------|-------------------------|----------|---------|----------------------------|
|------------------|----------------|----------------------------------|------------------|-------------------------|----------|---------|----------------------------|

ALMERA I (N15) 2 D 1995 -> 2000

| | | | | | | | |
|---------|--|--|--|--|--|--|--|
| 30/7215 | | | | | | 807211M108* 807211M109* 807211M115* 807310M007* | |
| 30/7216 | | | | | | 807201M108* 807201M109* 807201M115* 807300M007* | |

ALMERA I (N15) 4 D 1995 -> 2000

| | | | | | | | |
|---------|--|--|--|--|--|--|--|
| 30/7217 | | | | | | 807210M016* 807210M017* 807310M007* 807310M016* | |
| 30/7218 | | | | | | 8070064Y00* 807200M016* 807200M017* 807300M007* | |

ALMERA II (N16) 2 D 2000 ->

| | | | | | | | |
|---------|--|--|--|--|--------------------------|--|--|
| 30/7219 | | | | | 80701BM605 80701BM606 | | |
| 30/7220 | | | | | 80700BM605 80700BM606 | | |

ALMERA II (N16) 4 D 2000 ->


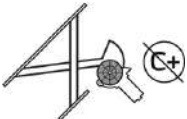





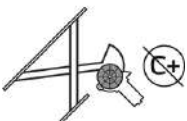










| | | | | | | | |
|---------|--|--|--|--|--------------------------|--|--|
| 30/1593 | | | | | 80701BM705 807005M40 | | |
| 30/1592 | | | | | 807005M400 80700BM705 | | |

ATLEON 2 D 2000 ->


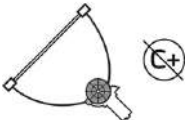




| | | | | | | | |
|---------|--|--|--|--|--|--|--|
| 30/2083 | | | | | 807019X000 807019X002 | | |
| 30/2082 | | | | | 807009X000 807009X002 | | |
| 30/2085 | | | | | 807019X003 807019X60A 807009X001 807009X003 | | |
| 30/2084 | | | | | 807009X001 807009X003 807009X600 807009X601 | | |

| Modello Model | Porte Doors | Configurazione Configurations | Foto Pictures | Connettore Connector | Cross OE | Alt. OE | Istruzioni Instructions |
|------------------|----------------|----------------------------------|------------------|-------------------------|----------|---------|----------------------------|
|------------------|----------------|----------------------------------|------------------|-------------------------|----------|---------|----------------------------|


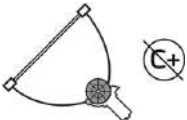




CABSTAR (F24M, F24W) 2 D 2006 -> 2013

| | | | | | | | |
|---------|---|--|---|--|--|----------------------------|---|
| 30/2087 |  |  |  |  | | 807210T010* 807310T010* |  |
| 30/2086 |  | | <small>POWER WINDOW LEFT ALZACRISTALLI ELETTRICO SX</small> | | | 807000T010* 807300T010* | |
| 30/2115 |  |  |  |  | | 807210T010* 807310T016* |  |
| 30/2114 |  | | <small>POWER WINDOW LEFT ALZACRISTALLI ELETTRICO SX</small> | | | 807000T010* 807300T015* | |
| 30/1817 |  |  |  | | 80721MA00B 80721MA00C 80721MA00D 80721MA00E | |  |
| 30/1816 |  |  | <small>POWER WINDOW LEFT ALZACRISTALLI ELETTRICO SX</small> | | 80720MA00B 80720MA00C 80720MA00D 80720MA00E | | |

FRONTIER D22 2 D 1998 ->

| | | | | | | | |
|---------|---|---|---|--|--|--|---|
| 30/7221 |  |  |  |  | | 80721VJ200* 80721VJ20A* 80731VJ200* 80731VJ201* |  |
| 30/7222 |  | | | | | 807202S410* 807202S41A* 807302S410* 807303I105* | |

FRONTIER D22 4 D 1998 ->








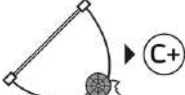















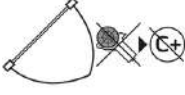



| | | | | | | | |
|---------|---|---|---|--|--|--|---|
| 30/7221 |  |  |  |  | | 80721VJ200* 80721VJ20A* 80731VJ200* 80731VJ201* |  |
| 30/7222 |  | | | | | 807202S410* 807202S41A* 807302S410* 807303I105* | |

INTERSTAR (X70) 2 D 2002 ->












| | | | | | | | |
|---------|---|---|---|--|---|--|---|
| 30/3016 |  |  |  |  | 4416295 93186237 8200162708 504173866 | |  |
| 30/3015 |  | | <small>POWER WINDOW LEFT ALZACRISTALLI ELETTRICO SX</small> | | 93186238 8200162710 504173866 5801482026 | | |

| Modello Model | Porte Doors | Configurazione Configurations | Foto Pictures | Connettore Connector | Cross OE | Alt. OE | Istruzioni Instructions |
|------------------|----------------|----------------------------------|------------------|-------------------------|----------|---------|----------------------------|
|------------------|----------------|----------------------------------|------------------|-------------------------|----------|---------|----------------------------|

INTERSTAR (X70) 2 D 2002 ->

| | | | | | | | |
|----------|--|---|---|--|--|--|---|
| 30/1006 | |  |  |  <small>POWER WINDOW LEFT ALZACRISTALLI ELETTRICO SX</small> |  | 2997194 4856064 99485358 7700352494 |  |
| 30/1005 | |  | | | | 2997193 4856063 99485357 7700352495 | |
| 30/1006C | |  |  |  <small>POWER WINDOW LEFT ALZACRISTALLI ELETTRICO SX</small> |  | 42565949 42574134 504335520 504356352 |  |
| 30/1005C | |  | | | | 42565948 42574133 42574135 504335512 | |
| 30/208B | |  |  |  | | 2997184 4401254 4500490 9160790 |  |
| 30/208 | |  | | | | 2997183 4401257 4500491 9160791 | |
| 30/1671 | |  |  |  <small>POWER WINDOW LEFT ALZACRISTALLI ELETTRICO SX</small> | | 42565949* 42574134* 504335520* 504356352* |  |
| 30/1670 | |  | | | | 43574133* 42565948* 42574133* 42574135* | |
| 30/1793 | |  |  |  <small>POWER WINDOW LEFT ALZACRISTALLI ELETTRICO SX</small> | | 4416295* 5801529324* 5801901053* 8200162708* |  |
| 30/1792 | |  | | | | 5801528511* 5801901052* 8200162710* 93186238* | |

JUKE (F15) 4 D 2010 -> 2019

| | | | | | | | |
|---------|-----|---|---|--|--|--|---|
| 30/1585 | RHD |  |  |  <small>POWER WINDOW LEFT ALZACRISTALLI ELETTRICO SX</small> |  | 000439282* 807211KA0C* 80731JX30B* 80731IX30C* |  |
| 30/1584 | LHD |  | | | | 80730JX30A* 80730JX30B* 80730JX30C* 807201KA0A* | |
| 30/1589 | |  |  |  <small>POWER WINDOW LEFT ALZACRISTALLI ELETTRICO SX</small> | | 807211KA0A 807211KA0C |  |
| 30/1588 | |  | | | | 807201KA0A 807201KA0C | |

| Modello Model | Porte Doors | Configurazione Configurations | Foto Pictures | Connettore Connector | Cross OE | Alt. OE | Istruzioni Instructions |
|------------------|----------------|----------------------------------|------------------|-------------------------|----------|---------|----------------------------|
|------------------|----------------|----------------------------------|------------------|-------------------------|----------|---------|----------------------------|

JUKE (F15) 4 D 2010 -> 2019

| | | | | | | | |
|---------|--|--|--|--|--|--|--|
| 30/1587 | | | | | | 827211U600* 82730CV01A* 82730CV01B* 82730CV01C* | |
| 30/1586 | | | | | | 827201U600* 82731CV01A* 82731CV01B* 82731CV01C* | |

KING CAB (D22) 2 D 1997 ->

| | | | | | | | |
|---------|--|--|--|--|--|--|--|
| 30/7221 | | | | | | 80721VJ200* 80721VJ20A* 80731VJ200* 80731VJ201* | |
| 30/7222 | | | | | | 807202S410* 807202S41A* 807302S410* 807303I105* | |

KING CAB (D22) 4 D 1997 ->

| | | | | | | | |
|---------|--|--|--|--|--|--|--|
| 30/7221 | | | | | | 80721VJ200* 80721VJ20A* 80731VJ200* 80731VJ201* | |
| 30/7222 | | | | | | 807202S410* 807202S41A* 807302S410* 807303I105* | |

KUBISTAR (X76) 2 D 2003 ->

| | | | | | | | |
|---------|--|--|--|--|--|--|--|
| 30/1495 | | | | | 7700303543 8200188553 8070100QAN | | |
| 30/1494 | | | | | 7700303553 8200188551 8070000QAN | | |

LEAF (ZE0) 4 D 2010 -> 2017


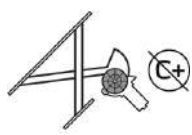




| | | | | | | | |
|---------|--|--|--|--|------------|--|--|
| 30/3116 | | | | | 807213NA0A | | |
| 30/3117 | | | | | 807203NA0A | | |
| 30/1587 | | | | | | 827211U600* 82730CV01A* 82730CV01B* 82730CV01C* | |
| 30/1586 | | | | | | 827201U600* 82731CV01A* 82731CV01B* 82731CV01C* | |

| Modello Model | Porte Doors | Configurazione Configurations | Foto Pictures | Connettore Connector | Cross OE | Alt. OE | Istruzioni Instructions |
|------------------|----------------|----------------------------------|------------------|-------------------------|----------|---------|----------------------------|
|------------------|----------------|----------------------------------|------------------|-------------------------|----------|---------|----------------------------|

MICRA (K11) II 2 D 1992 -> 2007

| | | | | | | | |
|---------|---|---|--|--|--|--|---|
| 30/1458 |  |  |  <small>POWER WINDOW LEFT ALZACRISTALLI ELETTRICI/3X</small> |  | 807014F100 807014F110 807014F112 807015F600 | |  |
| 30/1457 |  | | | | 807004F100 807004F110 807004F112 807005F600 | | |

MICRA (K11) II 4 D 1992 -> 2007

| | | | | | | | |
|---------|---|---|--|--|--|--|---|
| 30/1458 |  |  |  <small>POWER WINDOW LEFT ALZACRISTALLI ELETTRICI/3X</small> |  | 807014F100 807014F110 807014F112 807015F600 | |  |
| 30/1457 |  | | | | 807004F100 807004F110 807004F112 807005F600 | | |

MICRA (K12) III 2 D 2002 -> 2010

| | | | | | | | |
|---------|---|--|---|---|--|--|--|
| 30/1354 |  |  |  <small>POWER WINDOW LEFT ALZACRISTALLI ELETTRICI/3X</small> |  | 80701AX100 80701AX115 80701AX120 80701AX600 | |  |
| 30/1353 |  | | | | 80700AX100 80700AX115 80700AX120 80700AX600 | | |

| | | | | | | | |
|---------|---|---|--|--|--|--|---|
| 30/1430 |  |  |  <small>POWER WINDOW LEFT ALZACRISTALLI ELETTRICI/3X</small> | | 80701AX100* 80701AX115* 80701AX120* 80701AX600* | |  |
| 30/1429 |  | | | | 80700AX100* 80700AX115* 80700AX120* 80700AX600* | | |


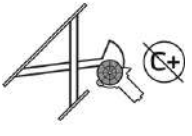




MICRA (K12) III 4 D 2002 -> 2010

| | | | | | | | |
|---------|---|---|--|--|--|--|---|
| 30/1354 |  |  |  <small>POWER WINDOW LEFT ALZACRISTALLI ELETTRICI/3X</small> |  | 80701AX100 80701AX115 80701AX120 80701AX600 | |  |
| 30/1353 |  | | | | 80700AX100 80700AX115 80700AX120 80700AX600 | | |


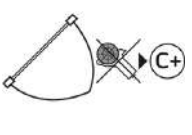




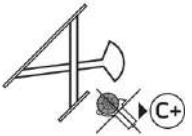



| | | | | | | | |
|---------|---|---|--|--|--|--|---|
| 30/1430 |  |  |  <small>POWER WINDOW LEFT ALZACRISTALLI ELETTRICI/3X</small> | | 80701AX100* 80701AX115* 80701AX120* 80701AX600* | |  |
| 30/1429 |  | | | | 80700AX100* 80700AX115* 80700AX120* 80700AX600* | | |

| Modello Model | Porte Doors | Configurazione Configurations | Foto Pictures | Connettore Connector | Cross OE | Alt. OE | Istruzioni Instructions |
|------------------|----------------|----------------------------------|------------------|-------------------------|----------|---------|----------------------------|
|------------------|----------------|----------------------------------|------------------|-------------------------|----------|---------|----------------------------|


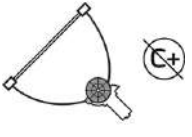




MICRA (K13) IV 4 D 2010 ->

| | | | | | | | |
|---------|---|---|--|--|--|---|---|
| 30/1460 |  |  |  POWER WINDOW LEFT ALZACRISTALLI ELETTRICO SX |  | | 807211HB0A* 827311HB0A* 827311HB1A* |  |
| 30/1459 |  | | | | | 807201HB0A* 827301HB0A* 827301HB1A* | |


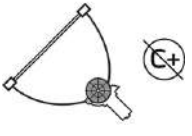




MICRA (K14) V 4 D 2016 ->

| | | | | | | | |
|---------|--|--|---|--|--|--|--|
| 30/2928 |  |  |  POWER WINDOW LEFT ALZACRISTALLI ELETTRICO SX | | 807215FA0A 807215FA2A 827215FA5A 827215FA6A | |  |
| 30/2927 |  | | | | 807205FA0A 807205FA2A 827205FA5A 827205FA6A | | |
| 30/2930 |  |  |  POWER WINDOW LEFT ALZACRISTALLI ELETTRICO SX | | 827215FA5A 827215FA6A | |  |
| 30/2929 |  | | | | 827205FA5A 827205FA6A | | |

NAVARA (D22) 2 D 1997 ->

| | | | | | | | |
|---------|---|---|---|--|--|--|---|
| 30/7221 |  |  |  |  | | 80721VJ200* 80721VJ20A* 80731VJ200* 80731VJ201* |  |
| 30/7222 |  | | | | | 807202S410* 807202S41A* 807302S410* 807303I105* | |

NAVARA (D22) 4 D 1997 ->

| | | | | | | | |
|---------|---|---|---|--|--|--|---|
| 30/7221 |  |  |  |  | | 80721VJ200* 80721VJ20A* 80731VJ200* 80731VJ201* |  |
| 30/7222 |  | | | | | 807202S410* 807202S41A* 807302S410* 807303I105* | |

NAVARA (D40) NP300 (UK) 4 D 2004 ->

| | | | | | | | |
|---------|-----|---|---|---|--|--|---|
| 30/2477 | RHD |  |  |  |  | 807014X01A 807014X01B 807014X01C |  |
| 30/2476 | LHD |  | | | | 807004X01A 807004X01B 807004X01C | |

| Modello Model | Porte Doors | Configurazione Configurations | Foto Pictures | Connettore Connector | Cross OE | Alt. OE | Istruzioni Instructions |
|------------------|----------------|----------------------------------|------------------|-------------------------|----------|---------|----------------------------|
|------------------|----------------|----------------------------------|------------------|-------------------------|----------|---------|----------------------------|

NAVARA (D40) NP300 (UK) 4 D 2004 ->

| | | | | | | | |
|---------|-----|--|--|--|--|--|--|
| 30/2475 | LHD | | | | | 807014X00A 807014X00B 807014X00E | |
| 30/2474 | RHD | | | | | 807004X00B 807004X00E 807304X00A | |

NAVARA (D40) NP300 4 D 2004 ->

| | | | | | | | |
|---------|-----|--|--|--|--|--|--|
| 30/2479 | LHD | | | | | 80701EB300 80701EB30B 80701EB30C | |
| 30/2478 | RHD | | | | | 80700EB300 80700EB30B 80700EB30C | |

| | | | | | | | |
|---------|--|--|--|--|--|--|--|
| 30/7223 | | | | | | 80701EB300* 80701EB30B* 80701EB30C* 80700EB300* | |
| 30/7224 | | | | | | 80700EB300* 80700EB305* 80700EB30B* 80700EB30C* | |

| | | | | | | | |
|---------|--|--|--|--|--|----------------------------|--|
| 30/2804 | | | | | | 827013X30A* 82701EB315* | |
| 30/2803 | | | | | | 827003X30A* 82700EB315* | |

| | | | | | | | |
|---------|--|--|--|--|--|---|--|
| 30/7225 | | | | | | 827013X30A* 82701EB315* 82731EB315* | |
| 30/7226 | | | | | | 827003X30A* 82700EB315* 82730EB315* | |

NAVARA (D23) NP300 4 D 2014 ->

| | | | | | | | |
|---------|--|--|--|--|--|--------------------------|--|
| 30/2590 | | | | | | 807014KD0B 807016KG1B | |
| 30/2589 | | | | | | 807004KD0B 807006KG1B | |

| | | | | | | | |
|---------|--|--|--|--|--|----------------------------|--|
| 30/2804 | | | | | | 827013X30A* 82701EB315* | |
| 30/2803 | | | | | | 827003X30A* 82700EB315* | |

| Modello Model | Porte Doors | Configurazione Configurations | Foto Pictures | Connettore Connector | Cross OE | Alt. OE | Istruzioni Instructions |
|------------------|----------------|----------------------------------|------------------|-------------------------|----------|---------|----------------------------|
|------------------|----------------|----------------------------------|------------------|-------------------------|----------|---------|----------------------------|

NOTE (E11, NE11) 4 D 2005 -> 2013

| | | | | | | | |
|---------|-----|--|--|--|--|----------------------------|--|
| 30/2013 | RHD | | | | | 807019U000 807019U00D | |
| 30/2012 | | | | | | 807019U000 807019U00D | |
| 30/2481 | | | | | | 807019U100 807019U20A | |
| 30/2480 | | | | | | 807009U100 807009U20A | |
| 30/2011 | | | | | | 807019U100* 807019U10D* | |
| 30/2010 | RHD | | | | | 807009U000* 807009U00D* | |
| 30/2313 | | | | | | 827019U000 | |
| 30/2312 | | | | | | 827009U00B | |
| 30/251B | | | | | | 827219U110 827219U11B | |
| 30/251 | | | | | | 827209U110 827209U11B | |

NOTE (E12) 4 D 2012 ->

| | | | | | | | |
|---------|--|--|--|--|--|---|--|
| 30/1460 | | | | | | 807211HB0A* 827311HB0A* 827311HB1A* | |
| 30/1459 | | | | | | 807201HB0A* 827301HB0A* 827301HB1A* | |

NV200 2 D 2010 ->

| | | | | | | | |
|---------|--|--|--|--|--|----------------------------|--|
| 30/7227 | | | | | | 80731JX30A* 80721JX00B* | |
| 30/7228 | | | | | | 80730JX30A* 80720JX00B* | |

| Modello Model | Porte Doors | Configurazione Configurations | Foto Pictures | Connettore Connector | Cross OE | Alt. OE | Istruzioni Instructions |
|------------------|----------------|----------------------------------|------------------|-------------------------|----------|---------|----------------------------|
|------------------|----------------|----------------------------------|------------------|-------------------------|----------|---------|----------------------------|

NV200 2 D 2010 ->

| | | | | | | | |
|---------|---|---|---|--|------------|--|---|
| 30/7229 |  |  |  | | 80721JX00B | |  |
| 30/7230 |  | | | | 80720JX00B | | |


NV300 2 D 2016 ->

| | | | | | | | |
|---------|---|---|---|--|--|--|---|
| 30/2157 |  |  |  | | | 6000617948* 807210974R* 807216280R |  |
| 30/2156 |  | | | | | 6000617946* 807207538R* 93867657* | |

NV400 (X62, X62B) 2 D 2011 ->

| | | | | | | | |
|---------|---|--|--|--|--|---|--|
| 30/1983 |  |  |  | | | 4420302* 8070100Q0H* 807210008R* 93167945* |  |
| 30/1982 |  | | | | | 4420303* 8070000Q0H* 807200008R* 93167946* | |

PATHFINDER III (R51) (UK) 4 D 2005 ->

| | | | | | | | |
|---------|-----|---|---|---|--|--|---|
| 30/2477 | RHD |  |  |  |  | 807014X01A 807014X01B 807014X01C |  |
| 30/2476 | LHD |  | | | | 807004X01A 807004X01B 807004X01C | |
| 30/2475 | LHD |  |  |  |  | 807014X00A 807014X00B 807014X00E |  |
| 30/2474 | RHD |  | | | | 807004X00B 807004X00E 807304X00A | |

PATHFINDER III (R51) 4 D 2005 ->

| | | | | | | | |
|---------|-----|---|---|---|--|--|---|
| 30/2479 | LHD |  |  |  |  | 80701EB300 80701EB30B 80701EB30C |  |
| 30/2478 | RHD |  | | | | 80700EB300 80700EB30B 80700EB30C | |

| Modello Model | Porte Doors | Configurazione Configurations | Foto Pictures | Connettore Connector | Cross OE | Alt. OE | Istruzioni Instructions |
|------------------|----------------|----------------------------------|------------------|-------------------------|----------|---------|----------------------------|
|------------------|----------------|----------------------------------|------------------|-------------------------|----------|---------|----------------------------|

PATHFINDER III (R51) 4 D 2005 ->

| | | | | | | | |
|---------|--|--|--|--|--|--|--|
| 30/7223 | | | | | | 80701EB300* 80701EB30B* 80701EB30C* 80700EB300* | |
| 30/7224 | | | | | | 80700EB300* 80700EB305* 80700EB30B* 80700EB30C* | |
| 30/2802 | | | | | | 000510614* 827013X00A* 82701EB300* 82731EB300* | |
| 30/2801 | | | | | | 000488947* 827003X00A* 82700EB300* 82730EB300* | |

PATHFINDER IV (R52) 4 D 2012 ->

| | | | | | | | |
|---------|--|--|--|--|--------------------------|--|--|
| 30/2590 | | | | | 807014KD0B 807016KG1B | | |
| 30/2589 | | | | | 807004KD0B 807006KG1B | | |

PATROL (12 VOLTS) GR I (Y60, GR) 2 D 1986 -> 1998

| | | | | | | | |
|---------|--|--|--|--|--|--|--|
| 30/7231 | | | | | | 8010126J00* 8070106J00* 8070106J01* 807010Y700* | |
| 30/7232 | | | | | | 000678895* 8070006J01* 807000Y700* 8070026I00* | |

PATROL (12 VOLTS) GR I (Y60, GR) 4 D 1986 -> 1998


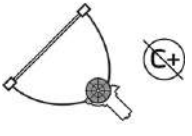




| | | | | | | | |
|---------|--|--|--|--|--|--|--|
| 30/7231 | | | | | | 8010126J00* 8070106J00* 8070106J01* 807010Y700* | |
| 30/7232 | | | | | | 000678895* 8070006J01* 807000Y700* 8070026I00* | |

PATROL (24 VOLTS) GR I (Y60, GR) 2 D 1986 -> 1998


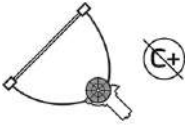




| | | | | | | | |
|---------|--|--|--|--|--|---|--|
| 30/7233 | | | | | | 8270126J00* 8270132J00* 8273106J05* | |
| 30/7234 | | | | | | 8270026J00* 8270032J00* 8273006J05* | |

| Modello Model | Porte Doors | Configurazione Configurations | Foto Pictures | Connettore Connector | Cross OE | Alt. OE | Istruzioni Instructions |
|------------------|----------------|----------------------------------|------------------|-------------------------|----------|---------|----------------------------|
|------------------|----------------|----------------------------------|------------------|-------------------------|----------|---------|----------------------------|


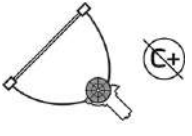




PATROL (24 VOLTS) GR I (Y60, GR) 4 D 1986 -> 1998

| | | | | | | | |
|---------|---|---|---|--|--|---|---|
| 30/7233 |  |  |  |  | | 8270126J00* 8270132J00* 8273106J05* |  |
| 30/7234 |  | | | | | 8270026J00* 8270032J00* 8273006J05* | |


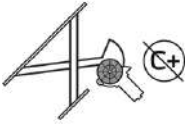



PICK-UP D22 2 D 1997 ->

| | | | | | | | |
|---------|---|---|---|--|--|--|---|
| 30/7221 |  |  |  |  | | 80721VJ200* 80721VJ20A* 80731VJ200* 80731VJ201* |  |
| 30/7222 |  | | | | | 807202S410* 807202S41A* 807302S410* 807303I105* | |


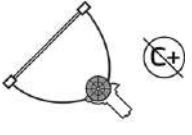






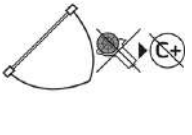



PICK-UP D22 4 D 1997 ->

| | | | | | | | |
|---------|---|--|--|--|--|--|--|
| 30/7221 |  |  |  |  | | 80721VJ200* 80721VJ20A* 80731VJ200* 80731VJ201* |  |
| 30/7222 |  | | | | | 807202S410* 807202S41A* 807302S410* 807303I105* | |

PIXO (UA0) 4 D 2009 ->

| | | | | | | | |
|---------|---|---|---|--|--|--|---|
| 30/7235 |  |  |  |  | | 807014A00C 807014A00E 807014A00K |  |
| 30/7236 |  | | | | | 807004A00C 807004A00K 807004A01B | |

PRIMASTAR (X83) 2 D 2002 ->

| | | | | | | | |
|---------|---|---|---|--|--|---|---|
| 30/888 |  |  |  |  | | 4408554 91165704 7700311820 8070100OAL |  |
| 30/887 |  | |  | | | 4408555 91165705 7700311821 8070000OAL | |
| 30/1845 |  |  |  | | | 4408554* 7700311820* 8070100QAL* 91165704* |  |
| 30/1844 |  | | | | | 4408555* 7700311821* 8070000QAL* 91165705* | |

| Modello Model | Porte Doors | Configurazione Configurations | Foto Pictures | Connettore Connector | Cross OE | Alt. OE | Istruzioni Instructions |
|------------------|----------------|----------------------------------|------------------|-------------------------|----------|---------|----------------------------|
|------------------|----------------|----------------------------------|------------------|-------------------------|----------|---------|----------------------------|

PRIMERA (P10) 4 D 1990 -> 1996

| | | | | | | | |
|---------|--|--|--|--|--|--|--|
| 30/7237 | | | | | 8070170J00 8070171J00 8070172J00 8070173J00 | | |
| 30/7238 | | | | | 8070070J00 8070071J00 8070072J00 8070073J00 | | |
| 30/7239 | | | | | 8270170J00 8270171J00 8270173J00 | | |
| 30/7240 | | | | | 8270070J00 8270071J00 8270073J00 | | |

PRIMERA (P10) TRAVELLER 4 D 1990 -> 1998

| | | | | | | | |
|---------|--|--|--|--|--|--|--|
| 30/7237 | | | | | 8070170J00 8070171J00 8070172J00 8070173J00 | | |
| 30/7238 | | | | | 8070070J00 8070071J00 8070072J00 8070073J00 | | |
| 30/7239 | | | | | 8270170J00 8270171J00 8270173J00 | | |
| 30/7240 | | | | | 8270070J00 8270071J00 8270073J00 | | |

PRIMERA (P11) 4 D 1996 -> 2001

| | | | | | | | |
|---------|--|--|--|--|--|--|--|
| 30/7241 | | | | | 807012F000 807012F002 807012F010 807019F500 | | |
| 30/7242 | | | | | 807002F000 807002F002 807002F010 807009F500 | | |
| 30/7243 | | | | | 827012F000 827012F002 827012F010 827019F500 | | |
| 30/7244 | | | | | 827002F000 827002F002 827002F010 827009F500 | | |

| Modello Model | Porte Doors | Configurazione Configurations | Foto Pictures | Connettore Connector | Cross OE | Alt. OE | Istruzioni Instructions |
|------------------|----------------|----------------------------------|------------------|-------------------------|----------|---------|----------------------------|
|------------------|----------------|----------------------------------|------------------|-------------------------|----------|---------|----------------------------|

PRIMERA (P11) TRAVELLER 4 D 1996 -> 2002

| | | | | | | | |
|---------|--|--|--|--|--|--|--|
| 30/7241 | | | | | 807012F000 807012F002 807012F010 807019F500 | | |
| 30/7242 | | | | | 807002F000 807002F002 807002F010 807009F500 | | |
| 30/7243 | | | | | 827012F000 827012F002 827012F010 827019F500 | | |
| 30/7244 | | | | | 827002F000 827002F002 827002F010 827009F500 | | |

PRIMERA (P12) 4 D 2002 ->

| | | | | | | | |
|----------|--|--|--|--|------------|--|--|
| 30/1396C | | | | | | 80771AV610* 80771AV611* 80771BA200* 80771BA20C* | |
| 30/1395C | | | | | | 80770AV610* 80770AV611* 80770BA100* 80770BA10B* | |
| 30/2387 | | | | | | 80771AV610* 80771AV611* 80771BA200* 80771BA20C* | |
| 30/2386 | | | | | | 80770AV610* 80770AV611* 80770BA100* 80770BA10B* | |
| 30/1396 | | | | | | 80771AV610* 80771AV611* 80771BA200* 80771BA20C* | |
| 30/1395 | | | | | | 80770AV600* 80770AV601* 80770BA200* 80770BA20C* | |
| 30/7245 | | | | | 82701AV610 | | |
| 30/7246 | | | | | 82700AV610 | | |
| 30/1432 | | | | | | 82701AV610* | |
| 30/1431 | | | | | | 82700AV610* | |

| Modello Model | Porte Doors | Configurazione Configurations | Foto Pictures | Connettore Connector | Cross OE | Alt. OE | Istruzioni Instructions |
|------------------|----------------|----------------------------------|------------------|-------------------------|----------|---------|----------------------------|
|------------------|----------------|----------------------------------|------------------|-------------------------|----------|---------|----------------------------|

PRIMERA (WP12) STATION WAGON 4 D 2002 ->

| | | | | | | | |
|----------|--|--|--|--|------------|--|--|
| 30/1396C | | | | | | 80771AV610* 80771AV611* 80771BA200* 80771BA20C* | |
| 30/1395C | | | | | | 80770AV610* 80770AV611* 80770BA100* 80770BA10B* | |
| 30/2387 | | | | | | 80771AV610* 80771AV611* 80771BA200* 80771BA20C* | |
| 30/2386 | | | | | | 80770AV610* 80770AV611* 80770BA100* 80770BA10B* | |
| 30/1396 | | | | | | 80771AV610* 80771AV611* 80771BA200* 80771BA20C* | |
| 30/1395 | | | | | | 80770AV600* 80770AV601* 80770BA200* 80770BA20C* | |
| 30/7247 | | | | | 82701AV710 | | |
| 30/7248 | | | | | 82700AV710 | | |
| 30/1432 | | | | | | 82701AV610* | |
| 30/1431 | | | | | | 82700AV610* | |

PULSAR (N15) 4 D 1995 -> 2000

| | | | | | | | |
|---------|--|--|--|--|--|--|--|
| 30/7217 | | | | | | 807210M016* 807210M017* 807310M007* 807310M016* | |
| 30/7218 | | | | | | 8070064Y00* 807200M016* 807200M017* 807300M007* | |

QASHQAI - QASHQAI +2 I (J10, J10) 4 D 2006 -> 2014

| | | | | | | | |
|---------|-----|--|--|--|--|----------------------------|--|
| 30/1597 | LHD | | | | | 80771EY10B* 80771JD00A* | |
| 30/1596 | | | | | | 80770EY10B* 80770JD00A* | |

| Modello Model | Porte Doors | Configurazione Configurations | Foto Pictures | Connettore Connector | Cross OE | Alt. OE | Istruzioni Instructions |
|------------------|----------------|----------------------------------|------------------|-------------------------|----------|---------|----------------------------|
|------------------|----------------|----------------------------------|------------------|-------------------------|----------|---------|----------------------------|

QASHQAI - QASHQAI +2 I (J10, JJ10) 4 D 2006 -> 2014

| | | | | | | | |
|----------|-----|--|--|--|--|----------------------------|--|
| 30/1360C | RHD | | | | | 80771JD000* 80771JD20A* | |
| 30/1359C | | | | | | 80770EY10A* 80770JD000* | |
| 30/2413 | RHD | | | | | 80771JD000* 80771JD20A* | |
| 30/2412 | | | | | | 80770EY10A* 80770JD000* | |
| 30/2487 | RHD | | | | | 80771JD000 80771JD20A | |
| 30/2486 | | | | | | 80770EY10A 80770JD000 | |
| 30/2545 | RHD | | | | | 80071EY10B 80771JD00A | |
| 30/2544 | | | | | | 80770EY10B 80770JD00A | |
| 30/1360 | RHD | | | | | 80771JD000* 80771JD20A* | |
| 30/1359 | | | | | | 80770EY10A* 80770JD000* | |
| 30/2926 | RHD | | | | | 80771JD000* | |
| 30/2925 | | | | | | 80770EY10A* | |
| 30/2489 | RHD | | | | | 82701EY11A 82701JD400 | |
| 30/2488 | | | | | | 82700EY11A 82700JD400 | |

| Modello Model | Porte Doors | Configurazione Configurations | Foto Pictures | Connettore Connector | Cross OE | Alt. OE | Istruzioni Instructions |
|------------------|----------------|----------------------------------|------------------|-------------------------|----------|---------|----------------------------|
|------------------|----------------|----------------------------------|------------------|-------------------------|----------|---------|----------------------------|

QASHQAI - QASHQAI +2 I (J10, JJ10) 4 D 2006 -> 2014

| | | | | | | | |
|---------|--|--|--|--|--|--------------------------|--|
| 30/1362 | | | | | | 82701JD400 82701JD40A | |
| 30/1361 | | | | | | 82700JD400 82700JD40A | |

QASHQAI II (J11, J11_) 4 D 2013 ->

| | | | | | | | |
|---------|-----|--|--|--|--|--|--|
| 30/7250 | RHD | | | | | 807014EA0B 807014EA0D 807004EA0B 807004EA0D | |
| 30/7249 | LHD | | | | | 807004EA0B 807004EA0D 807004EA1D 807004EA3D | |
| 30/2089 | LHD | | | | | 807014EA3C* 807217052R* 807218568R* 807218884R* | |
| 30/2088 | RHD | | | | | 807004EA0A* 807004EA0C* 807205433R* 807206317R* | |
| 30/7251 | | | | | | 827014EA0A | |
| 30/7252 | | | | | | 827004EA0A | |

SENTRA (N15) 4 D 1995 -> 2000

| | | | | | | | |
|---------|--|--|--|--|--|--|--|
| 30/7217 | | | | | | 807210M016* 807210M017* 807310M007* 807310M016* | |
| 30/7218 | | | | | | 8070064Y00* 807200M016* 807200M017* 807300M007* | |

SERENA (C23) 2 D 1991 -> 2001

| | | | | | | | |
|---------|--|--|--|--|--|--|--|
| 30/1591 | | | | | | 807017C302 807017C360 807019C100 807019C101 | |
| 30/1590 | | | | | | 807007C302 807009C100 807009C101 807209C100 | |

| Modello Model | Porte Doors | Configurazione Configurations | Foto Pictures | Connettore Connector | Cross OE | Alt. OE | Istruzioni Instructions |
|------------------|----------------|----------------------------------|------------------|-------------------------|----------|---------|----------------------------|
|------------------|----------------|----------------------------------|------------------|-------------------------|----------|---------|----------------------------|

TERRANO II (R20) 2 D 1992 -> 2007

| | | | | | | | |
|---------|--|--|--|--|--|--|--|
| 30/1054 | | | | | | 000033962* 8073187325* 807318F325* 807010F010* | |
| 30/1053 | | | | | | 807308F325* 807000F000* 807000F005* 807000F010* | |

TERRANO II (R20) 4 D 1992 -> 2007

| | | | | | | | |
|---------|--|--|--|--|--|--|--|
| 30/1054 | | | | | | 000033962* 8073187325* 807318F325* 807010F010* | |
| 30/1053 | | | | | | 807308F325* 807000F000* 807000F005* 807000F010* | |
| 30/1595 | | | | | 827010F600 827010F60B 827010F610 827012X400 | | |
| 30/1594 | | | | | 827000F600 827000F60B 827000F610 827002X400 | | |

VANETTE CARGO (HC23) 2 D 1994 -> 2001


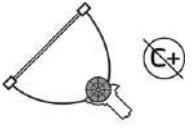




| | | | | | | | |
|---------|--|--|--|--|--|--|--|
| 30/1591 | | | | | 807017C302 807017C360 807019C100 807019C101 | | |
| 30/1590 | | | | | 807007C302 807009C100 807009C101 807209C100 | | |

X-TRAIL I (T30) 4 D 2001 -> 2013


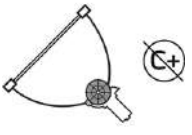





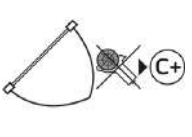




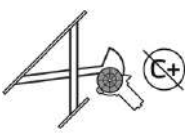




| | | | | | | | |
|---------|-----|--|--|--|--|--|--|
| 30/2354 | RHD | | | | | 8073189913* 8073189915* 807318991A* 807318991C* | |
| 30/2353 | | | | | | 8073089912* 8073089913* 807308991A* 807308991C* | |
| 30/2081 | LHD | | | | | 807218H300 807218H30A | |
| 30/2080 | RHD | | | | | 807208H300 807208H30A | |

| Modello Model | Porte Doors | Configurazione Configurations | Foto Pictures | Connettore Connector | Cross OE | Alt. OE | Istruzioni Instructions |
|------------------|----------------|----------------------------------|------------------|-------------------------|----------|---------|----------------------------|
|------------------|----------------|----------------------------------|------------------|-------------------------|----------|---------|----------------------------|

X-TRAIL I (T30) 4 D 2001 -> 2013

| | | | | | | | |
|---------|--|---|---|---|--|--|---|
| 30/2356 | |  |  |  |  | 8073189912* 8073189913* 807318991C* 827218H300* |  |
| 30/2355 | |  | | | | 8073089912* 8073089913* 807308991C* 827208H300* | |

X-TRAIL III (T32_) 4 D 2013 ->

| | | | | | | | |
|---------|-----|---|---|---|--|--|---|
| 30/7256 | RHD |  |  |  |  | 807214CA0A* 807216FR0A* 807304CA0A* |  |
| 30/7254 | LHD |  | | | | 807204CA0A* 807206FR0A* 807314CA0A* | |
| 30/7253 | LHD |  |  |  | 807214CA0A 807216FR0A |  | |
| 30/7255 | RHD |  | | | 807204CA0A 807206FR0A | | |
| 30/2315 | |  |  |  |  | 827214CA0A* 827216FR0A* 827311BA0A* |  |
| 30/2314 | |  | | | | 827204CA0A* 827206FR0A* 827301BA0A* | |

| Modello Model | Porte Doors | Configurazione Configurations | Foto Pictures | Connettore Connector | Cross OE | Alt. OE | Istruzioni Instructions |
|------------------|----------------|----------------------------------|------------------|-------------------------|----------|---------|----------------------------|
|------------------|----------------|----------------------------------|------------------|-------------------------|----------|---------|----------------------------|

ADAM (M13) 2 D 2012 -> 2019

| | | | | | | | |
|---------|--|--|--|--|--|----------------------|--|
| 30/1875 | | | | | | 13408526* 140371* | |
| 30/1874 | | | | | | 140372* 13408527* | |

AGILA (A) (H00) 4 D 2000 -> 2007

| | | | | | | | |
|--------|--|--|--|--|--|--|--|
| 30/854 | | | | | 4701074 4707411 9206373 9215911 | | |
| 30/853 | | | | | 4701073 4707410 9206371 9215910 | | |

AGILA (B) (H08) 4 D 2008 -> 2014

| | | | | | | | |
|---------|--|--|--|--|---|--|--|
| 30/1470 | | | | | 4700399 4708799 4711475 71743448 | | |
| 30/1469 | | | | | 4700401 4708798 4711476 71743447 | | |
| 30/2169 | | | | | 140332 4708803 71750981 93193629 | | |
| 30/2168 | | | | | 140333 4708802 71750980 93193628 | | |
| 30/7257 | | | | | 8354051K0000 0 | | |
| 30/7258 | | | | | 8351051K0000 0 | | |

ANTARA A (L07_) 4 D 2006 -> 2017

| | | | | | | | |
|---------|--|--|--|--|--|--|--|
| 30/2111 | | | | | 23196464* 25926017* 96624015* 96624332* | | |
| 30/2110 | | | | | 25937972* 96541799* 96624016* 96624333* | | |

| Modello Model | Porte Doors | Configurazione Configurations | Foto Pictures | Connettore Connector | Cross OE | Alt. OE | Istruzioni Instructions |
|------------------|----------------|----------------------------------|------------------|-------------------------|----------|---------|----------------------------|
|------------------|----------------|----------------------------------|------------------|-------------------------|----------|---------|----------------------------|

ANTARA A (L07_) 4 D 2006 -> 2017

| | | | | | | | |
|---------|--|--|---|--|--|--|--|
| 30/2113 | | | POWER WINDOW LEFT ALZACRISTALLI ELETTRICO SX | | | 25937971* 96624049* 96624334* 96627081* | |
| 30/2112 | | | | | | 25937970* 95391353* 96624050* 96624335* | |

ASTRA F (T92) 2 D 1998 -> 2002

| | | | | | | | |
|---------|--|--|---|--|--|-----------------------------------|--|
| 30/7259 | | | POWER WINDOW LEFT ALZACRISTALLI ELETTRICO SX | | | 90442226* | |
| 30/7260 | | | | | | 90442227* | |
| 30/7263 | | | POWER WINDOW LEFT ALZACRISTALLI ELETTRICO SX | | | 140199* 90442226* 90451151* | |
| 30/7264 | | | | | | 140200* 90414724* 90442227* | |

ASTRA F (T92) 4 D 1998 -> 2002



| | | | | | | | |
|---------|--|--|---|--|--|--|--|
| 30/7261 | | | POWER WINDOW LEFT ALZACRISTALLI ELETTRICO SX | | | 140047* 90442228* 90486939* | |
| 30/7262 | | | | | | 140048* 60486940* 90442229* | |
| 30/1687 | | | POWER WINDOW LEFT ALZACRISTALLI ELETTRICO SX | | | 140047* 90442228* 90451153* 90486939* | |
| 30/1686 | | | | | | 140048* 140202* 90442229* 90486940* | |

ASTRA F STATION WAGON (T92) 4 D 1991 -> 2001


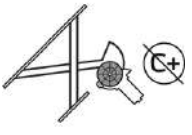





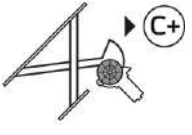




| | | | | | | | |
|---------|--|--|---|--|--|-----------------------------------|--|
| 30/7261 | | | POWER WINDOW LEFT ALZACRISTALLI ELETTRICO SX | | | 140047* 90442228* 90486939* | |
| 30/7262 | | | | | | 140048* 60486940* 90442229* | |

| Modello Model | Porte Doors | Configurazione Configurations | Foto Pictures | Connettore Connector | Cross OE | Alt. OE | Istruzioni Instructions |
|------------------|----------------|----------------------------------|------------------|-------------------------|----------|---------|----------------------------|
|------------------|----------------|----------------------------------|------------------|-------------------------|----------|---------|----------------------------|


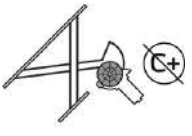





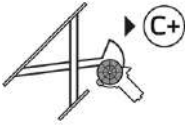





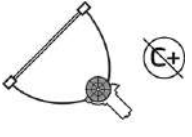





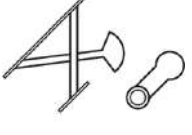




ASTRA F STATION WAGON (T92) 4 D 1991 -> 2001

| | | | | | | | |
|---------|---|---|---|--|--|--|---|
| 30/1687 |  |  |  |  | | 140047* 90442228* 90451153* 90486939* |  |
| 30/1686 |  | | | | | 140048* 140202* 90442229* 90486940* | |

ASTRA G (T98) 2 D 1998 -> 2009






| | | | | | | | |
|---------|--|--|--|---|--|--|--|
| 30/7265 |  |  |  |  | | 140293* 5140019* 90543917* 9118664* |  |
| 30/7266 |  | | | | | 140274* 5140020* 90543918* 9118665* | |
| 30/1689 |  |  |  |  | | 1207126* 140293* 5140019* 6207021* |  |
| 30/1688 |  | | | | | 1207127* 140274* 5140020* 6207018* | |

ASTRA G (T98) 4 D 1998 -> 2009


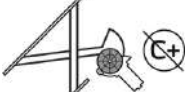




| | | | | | | | |
|---------|---|---|---|--|---------------------|--|---|
| 30/7265 |  |  |  |  | | 140293* 5140019* 90543917* 9118664* |  |
| 30/7266 |  | | | | | 140274* 5140020* 90543918* 9118665* | |
| 30/1689 |  |  |  |  | | 1207126* 140293* 5140019* 6207021* |  |
| 30/1688 |  | | | | | 1207127* 140274* 5140020* 6207018* | |
| 30/7267 |  |  |  |  | | |  |
| 30/7268 |  | | | | | | |
| 30/252B |  |  |  |  | 5140013 90521871 | |  |
| 30/252 |  | | | | 5140014 90521872 | | |

| Modello Model | Porte Doors | Configurazione Configurations | Foto Pictures | Connettore Connector | Cross OE | Alt. OE | Istruzioni Instructions |
|------------------|----------------|----------------------------------|------------------|-------------------------|----------|---------|----------------------------|
|------------------|----------------|----------------------------------|------------------|-------------------------|----------|---------|----------------------------|







ASTRA G (T98) 4 D 1998 -> 2009

| | | | | | | | |
|---------|---|---|---|--|--|-----------------------|---|
| 30/1103 |  |  |  | | | 5140015* 90521877* |  |
| 30/1102 |  | | | | | 5140016* 90521878* | |



ASTRA G (T98) STATION WAGON 4 D 1998 -> 2005

| | | | | | | | |
|---------|---|---|---|--|--|--|---|
| 30/7265 |  |  |  |  | | 140293* 5140019* 90543917* 9118664* |  |
| 30/7266 |  | | | | | 140274* 5140020* 90543918* 9118665* | |


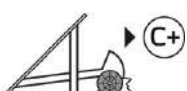




| | | | | | | | |
|---------|--|--|--|--|--|---|--|
| 30/1689 |  |  |  |  | | 1207126* 140293* 5140019* 6207021* |  |
| 30/1688 |  | | | | | 1207127* 140274* 5140020* 6207018* | |

| | | | | | | | |
|---------|---|---|---|--|--|--|---|
| 30/7267 |  |  |  |  | | |  |
| 30/7268 |  | | | | | | |

| | | | | | | | |
|---------|---|---|---|--|---------------------|--|---|
| 30/252B |  |  |  | | 5140013 90521871 | |  |
| 30/252 |  | | | | 5140014 90521872 | | |

| | | | | | | | |
|---------|---|---|---|--|--|-----------------------|---|
| 30/1103 |  |  |  | | | 5140015* 90521877* |  |
| 30/1102 |  | | | | | 5140016* 90521878* | |

ASTRA H (A04) 2 D 2004 -> 2014


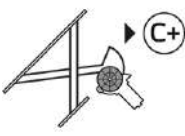




| | | | | | | | |
|---------|---|---|---|--|--|--|---|
| 30/1695 |  |  |  |  | | 13101478* 13101480* 5140073* 5140077* |  |
| 30/1694 |  | | | | | 13101479* 13101481* 5140074* 5140078* | |







| Modello Model | Porte Doors | Configurazione Configurations | Foto Pictures | Connettore Connector | Cross OE | Alt. OE | Istruzioni Instructions |
|------------------|----------------|----------------------------------|------------------|-------------------------|----------|---------|----------------------------|
|------------------|----------------|----------------------------------|------------------|-------------------------|----------|---------|----------------------------|

ASTRA H (A04) 2 D 2004 -> 2014

| | | | | | | | |
|---------|---|---|---|--|---|--|---|
| 30/1424 |  |  |  | | 5140073 5140077 6207141 93178695 | |  |
| 30/1423 |  | |  | | 5140074 5140078 6207140 93178696 | | |





ASTRA H (A04) 4 D 2004 -> 2014


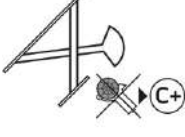




| | | | | | | | |
|---------|---|---|---|--|--|--|---|
| 30/1695 |  |  |  |  | | 13101478* 13101480* 5140073* 5140077* |  |
| 30/1694 |  | |  | | | 13101479* 13101481* 5140074* 5140078* | |

| | | | | | | | |
|---------|--|--|--|--|---|--|--|
| 30/1424 |  |  |  | | 5140073 5140077 6207141 93178695 | |  |
| 30/1423 |  | |  | | 5140074 5140078 6207140 93178696 | | |

| | | | | | | | |
|---------|---|---|---|--|--|--|---|
| 30/1187 |  |  |  | | | 13100423* 140308* 140427* 94703266* |  |
| 30/1186 |  | | | | | 13100424* 140309* 140429* 94703267* | |

ASTRA H (A04) STATION WAGON 4 D 2004 -> 2014

| | | | | | | | |
|---------|---|---|---|--|--|--|---|
| 30/1695 |  |  |  |  | | 13101478* 13101480* 5140073* 5140077* |  |
| 30/1694 |  | |  | | | 13101479* 13101481* 5140074* 5140078* | |

| | | | | | | | |
|---------|---|---|---|--|---|--|---|
| 30/1424 |  |  |  | | 5140073 5140077 6207141 93178695 | |  |
| 30/1423 |  | |  | | 5140074 5140078 6207140 93178696 | | |

| | | | | | | | |
|---------|---|---|---|--|--|--|---|
| 30/1187 |  |  |  | | | 13100423* 140308* 140427* 94703266* |  |
| 30/1186 |  | | | | | 13100424* 140309* 140429* 94703267* | |

| Modello Model | Porte Doors | Configurazione Configurations | Foto Pictures | Connettore Connector | Cross OE | Alt. OE | Istruzioni Instructions |
|------------------|----------------|----------------------------------|------------------|-------------------------|----------|---------|----------------------------|
|------------------|----------------|----------------------------------|------------------|-------------------------|----------|---------|----------------------------|

ASTRA H GTC (A04) 2 D 2005 -> 2010

| | | | | | | | |
|---------|--|--|--|--|---|--|--|
| 30/1695 | | | | | | 13101478* 13101480* 5140073* 5140077* | |
| 30/1694 | | | | | | 13101479* 13101481* 5140074* 5140078* | |
| 30/1424 | | | | | 5140073 5140077 6207141 93178695 | | |
| 30/1423 | | | | | 5140074 5140078 6207140 93178696 | | |

ASTRA J (P10) 4 D 2009 -> 2016

| | | | | | | | |
|---------|--|--|--|--|--------------------|--|--|
| 30/1487 | | | | | 140321 13313568 | | |
| 30/1486 | | | | | 140322 13313569 | | |
| 30/7269 | | | | | | | |
| 30/7270 | | | | | | | |
| 30/1489 | | | | | | 13313573* 13350762* 140317* 140339* | |
| 30/1488 | | | | | | 13313574* 13350764* 140318* 140341* | |

ASTRA J GTC 2 D 2011 -> 2018

| | | | | | | | |
|---------|--|--|--|--|--|-----------|--|
| 30/2594 | | | | | | 13349957* | |
| 30/2593 | | | | | | 13349958* | |

| Modello Model | Porte Doors | Configurazione Configurations | Foto Pictures | Connettore Connector | Cross OE | Alt. OE | Istruzioni Instructions |
|------------------|----------------|----------------------------------|------------------|-------------------------|----------|---------|----------------------------|
|------------------|----------------|----------------------------------|------------------|-------------------------|----------|---------|----------------------------|

ASTRA J SPORTS TOURER (P10) 4 D 2010 -> 2015

| | | | | | | | |
|---------|--|--|--|--|--------------------|--|--|
| 30/1487 | | | | | 140321 13313568 | | |
| 30/1486 | | | | | 140322 13313569 | | |
| 30/7269 | | | | | | | |
| 30/7270 | | | | | | | |
| 30/1489 | | | | | | 13313573* 13350762* 140317* 140339* | |
| 30/1488 | | | | | | 13313574* 13350764* 140318* 140341* | |

ASTRA K (B16) 4 D 2015 -> 2022

| | | | | | | | |
|---------|--|--|--|--|--|-------------------------------------|--|
| 30/2596 | | | | | | 13406673* | |
| 30/2595 | | | | | | 13406674* | |
| 30/2618 | | | | | | 13406677* 39134105* 39142319* | |
| 30/2617 | | | | | | 13406678* 39134106* 39142320* | |

ASTRA K (B16) SPORTS TOURER 4 D 2015 -> 2022


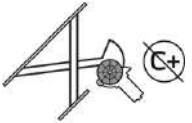





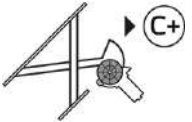





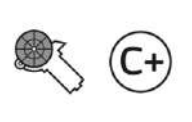















| | | | | | | | |
|---------|--|--|--|--|--|-------------------------------------|--|
| 30/2596 | | | | | | 13406673* | |
| 30/2595 | | | | | | 13406674* | |
| 30/2618 | | | | | | 13406677* 39134105* 39142319* | |
| 30/2617 | | | | | | 13406678* 39134106* 39142320* | |

| Modello Model | Porte Doors | Configurazione Configurations | Foto Pictures | Connettore Connector | Cross OE | Alt. OE | Istruzioni Instructions |
|------------------|----------------|----------------------------------|------------------|-------------------------|----------|---------|----------------------------|
|------------------|----------------|----------------------------------|------------------|-------------------------|----------|---------|----------------------------|


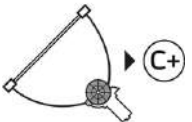



COMBO (71_) 4 D 1994 -> 2001

| | | | | | | | |
|---------|---|---|---|--|---|--|---|
| 30/1669 |  |  |  <small>POWER WINDOW LIFT ALZACRISTALLI ELETTRICI</small> |  | 140050 5140044 5140067 93274395 | |  |
| 30/1668 |  | | | | 140064 5140043 93274396 93334688 | | |

COMBO (F25) 2 D 2001 ->

| | | | | | | | |
|----------|---|---|---|--|--|---|---|
| 30/7275 |  |  |  <small>POWER WINDOW LIFT ALZACRISTALLI ELETTRICI</small> |  | | |  |
| 30/7276 |  | | | | | | |
| 30/1993C |  |  |  <small>POWER WINDOW LIFT ALZACRISTALLI ELETTRICI</small> |  | | 24462795* 6207120* 5140061* 5140091* |  |
| 30/1992C |  | | | | | 24462796* 6207021* 5140062* 5140092* | |
| 30/2380 |  |  |  <small>POWER WINDOW LIFT ALZACRISTALLI ELETTRICI</small> |  | 6207089 6207120 13173069 24462795 | |  |
| 30/2381 |  | | | | 6207088 6207121 13173070 24462796 | | |
| 30/1993 |  |  |  <small>POWER WINDOW LIFT ALZACRISTALLI ELETTRICI</small> |  | 5140061 5140091 93171827 93186828 | |  |
| 30/1992 |  | | | | 5140062 5140092 93171828 93186829 | | |
| 30/272B |  |  |  <small>POWER WINDOW LIFT ALZACRISTALLI ELETTRICI</small> |  | 5140061 5140091 93171827 93186828 | |  |
| 30/272 |  | | | | 5140062 5140092 93171828 93186829 | | |

COMBO TOUR / X12 2 D 2012 ->

| | | | | | | | |
|---------|---|---|---|--|--|--|---|
| 30/3133 |  |  |  <small>POWER WINDOW LIFT ALZACRISTALLI ELETTRICI</small> |  | 140358 51810879 52063785 52220483 95509364 | |  |
|---------|---|---|---|--|--|--|---|

| Modello Model | Porte Doors | Configurazione Configurations | Foto Pictures | Connettore Connector | Cross OE | Alt. OE | Istruzioni Instructions |
|------------------|----------------|----------------------------------|------------------|-------------------------|----------|---------|----------------------------|
|------------------|----------------|----------------------------------|------------------|-------------------------|----------|---------|----------------------------|

COMBO TOUR / X12 2 D 2012 ->

| | | | | | | | |
|---------|--|--|--|--|--|-------------------------------------|--|
| 30/7071 | | | | | | 51810880* 52063786* 51810879 | |
| 30/7072 | | | | | | 51810879* 52063785* 52220483* | |
| 30/3132 | | | | | 140359 51810880 52063786 95509365 | | |
| 30/1891 | | | | | | 51810880* 52063786* | |
| 30/1890 | | | | | | 51810879* 52063785* | |

COMBO TOUR / X12 4 D 2012 ->

| | | | | | | | |
|---------|--|--|--|--|--|-------------------------------------|--|
| 30/3133 | | | | | 140358 51810879 52063785 52220483 95509364 | | |
| 30/7071 | | | | | | 51810880* 52063786* 51810879 | |
| 30/7072 | | | | | | 51810879* 52063785* 52220483* | |
| 30/3132 | | | | | 140359 51810880 52063786 95509365 | | |
| 30/1891 | | | | | | 51810880* 52063786* | |
| 30/1890 | | | | | | 51810879* 52063785* | |

| Modello Model | Porte Doors | Configurazione Configurations | Foto Pictures | Connettore Connector | Cross OE | Alt. OE | Istruzioni Instructions |
|------------------|----------------|----------------------------------|------------------|-------------------------|----------|---------|----------------------------|
|------------------|----------------|----------------------------------|------------------|-------------------------|----------|---------|----------------------------|

COMBO TOUR / X12 4 D 2012 ->

| | | | | | | | |
|---------|--|--|--|--|--|--|--|
| 30/3135 | | | | | 140360 51814130 95509773 51906919 | | |
| 30/3134 | | | | | 140361 51814131 95509774 51906920 | | |
| 30/1917 | | | | | | 140361* 51814131* 51906920* 52220485* | |
| 30/1916 | | | | | | 140360* 51810879* 51814130* 51906919* | |

CORSA A (S83) 4 D 1982 -> 1993

| | | | | | | | |
|---------|--|--|--|--|--------------------|--|--|
| 30/7277 | | | | | 90139493 140147 | | |
| 30/7278 | | | | | 140148 90139494 | | |

CORSA B (S93) 2 D 1993 -> 2009

| | | | | | | | |
|---------|--|--|--|--|--|--|--|
| 30/1667 | | | | | 90444381* | | |
| 30/1666 | | | | | 90444382* | | |
| 30/1707 | | | | | 90389787* 90389789* 90389793* 90444381* | | |
| 30/1706 | | | | | 90389788* 90389790* 90444382* 90481778* | | |

| Modello Model | Porte Doors | Configurazione Configurations | Foto Pictures | Connettore Connector | Cross OE | Alt. OE | Istruzioni Instructions |
|------------------|----------------|----------------------------------|------------------|-------------------------|----------|---------|----------------------------|
|------------------|----------------|----------------------------------|------------------|-------------------------|----------|---------|----------------------------|

CORSA B (S93) 4 D 1993 -> 2009

| | | | | | | | |
|---------|--|--|--|--|---|--|--|
| 30/1669 | | | | | 140050 5140044 5140067 93274395 | | |
| 30/1668 | | | | | 140064 5140043 93274396 93334688 | | |
| 30/1709 | | | | | | 90444379* 90481029* 90481031* 90481033* | |
| 30/1708 | | | | | | 90444380* 90481030* 90481032* 90481776* | |

CORSA C (X01) 2 D 2000 -> 2009

| | | | | | | | |
|----------|--|--|--|--|--|---|--|
| 30/2752 | | | | | | 5140035* 5140087* 9196401* 93186824* | |
| 30/2751 | | | | | | 5140036* 5140088* 9196402* 93186825* | |
| 30/1426C | | | | | | 13173073* 5140087* 5140089* 9196401* | |
| 30/1425C | | | | | | 13173074* 5140036* 5140040* 9196402* | |
| 30/2383 | | | | | 6207069 6207071 6207084 9113363 | | |
| 30/2382 | | | | | 6207070 6207072 6207085 9113364 | | |
| 30/1426 | | | | | 5140087 9196401 93186824 | | |
| 30/1425 | | | | | 5140088 9196402 93186825 | | |

CORSA C (X01) 4 D 2000 -> 2009

| | | | | | | | |
|---------|--|--|--|--|--|---|--|
| 30/2736 | | | | | | 5140035* 5140089* 9196410* 93186826* | |
| 30/2735 | | | | | | 5140036* 5140040* 5140090* 9196411* | |

| Modello Model | Porte Doors | Configurazione Configurations | Foto Pictures | Connettore Connector | Cross OE | Alt. OE | Istruzioni Instructions |
|------------------|----------------|----------------------------------|------------------|-------------------------|----------|---------|----------------------------|
|------------------|----------------|----------------------------------|------------------|-------------------------|----------|---------|----------------------------|

CORSA C (X01) 4 D 2000 -> 2009

| | | | | | | | |
|---------|--|--|--|--|---|--|--|
| 30/2383 | | | | | 6207069 6207071 6207084 9113363 | | |
| 30/2382 | | | | | 6207070 6207072 6207085 9113364 | | |
| 30/1691 | | | | | | 5140035* 5140087* 5140089* 9113369* | |
| 30/1690 | | | | | | 5140036* 5140040* 9113364* 9196402* | |
| 30/1428 | | | | | 5140089 9196410 93186826 514008 | | |
| 30/1427 | | | | | 5140089 5140090 9196411 93186827 | | |
| 30/2738 | | | | | 9114705 | | |
| 30/2737 | | | | | 9114706 | | |

CORSA D (S07) 2 D 2006 -> 2015

| | | | | | | | |
|---------|--|--|--|--|----------|--|--|
| 30/1342 | | | | | | | |
| 30/1341 | | | | | | | |
| 30/3126 | | | | | 13289448 | | |
| 30/3127 | | | | | 13289449 | | |

CORSA D (S07) 4 D 2006 -> 2015

| | | | | | | | |
|--------|--|--|--|--|--|--|--|
| 30/992 | | | | | 140843 5140115 13298153 13447038 | | |
| 30/991 | | | | | 5140112 5140116 13298154 13447039 | | |

| Modello Model | Porte Doors | Configurazione Configurations | Foto Pictures | Connettore Connector | Cross OE | Alt. OE | Istruzioni Instructions |
|------------------|----------------|----------------------------------|------------------|-------------------------|----------|---------|----------------------------|
|------------------|----------------|----------------------------------|------------------|-------------------------|----------|---------|----------------------------|

CORSA D (S07) 4 D 2006 -> 2015

| | | | | | | | |
|---------|--|--|---|--|---------------------|---|--|
| 30/1344 | | | | | | 39161986* 13298153* 13447038* 140843* | |
| 30/1343 | | | POWER WINDOW LEFT ALZACRISTALLI ELETTRICO SX | | | 39161985* 13447039* 13298154* 5140112* | |
| 30/224B | | | | | 5140105 13188503 | | |
| 30/224 | | | | | 5140106 13188504 | | |

CORSA E (X15) 4 D 2014 ->

| | | | | | | | |
|---------|--|--|---|--|--|---|--|
| 30/1344 | | | | | | 39161986* 13298153* 13447038* 140843* | |
| 30/1343 | | | POWER WINDOW LEFT ALZACRISTALLI ELETTRICO SX | | | 39161985* 13447039* 13298154* 5140112* | |

CROSSLAND X / CROSSLAND (P17, P2QO) 4 D 2017 ->

| | | | | | | | |
|---------|--|--|---|--|--|--|--|
| 30/2690 | | | | | | 13457671* 39227500* | |
| 30/2689 | | | POWER WINDOW LEFT ALZACRISTALLI ELETTRICO SX | | | 13457672* 39227499* | |
| 30/2704 | | | | | | 13457704* 39137857* 39187591* 39227501* | |
| 30/2703 | | | POWER WINDOW LEFT ALZACRISTALLI ELETTRICO SX | | | 13457705* 39137858* 39187592* 39227502* | |

FRONTERA A (U92) 2 D 1992 -> 1998

| | | | | | | | |
|---------|--|--|---|--|--|--|--|
| 30/7135 | | | | | 140007 91144857 8970935320 8971658820 | | |
| 30/7136 | | | POWER WINDOW LEFT ALZACRISTALLI ELETTRICO SX | | 140008 91144856 8970935310 8971658810 | | |

| Modello Model | Porte Doors | Configurazione Configurations | Foto Pictures | Connettore Connector | Cross OE | Alt. OE | Istruzioni Instructions |
|------------------|----------------|----------------------------------|------------------|-------------------------|----------|---------|----------------------------|
|------------------|----------------|----------------------------------|------------------|-------------------------|----------|---------|----------------------------|

FRONTERA A (U92) 4 D 1992 -> 1998

| | | | | | | | |
|---------|--|--|--|--|--|--|--|
| 30/7135 | | | | | 140007 91144857 8970935320 8971658820 | | |
| 30/7136 | | | | | 140008 91144856 8970935310 8971658810 | | |

FRONTERA B (U99) 2 D 1998 -> 2004

| | | | | | | | |
|---------|--|--|--|--|----------------------------------|--|--|
| 30/7281 | | | | | 91157979 97144437 97254453 | | |
| 30/7282 | | | | | 91157978 97144436 97254452 | | |

FRONTERA B (U99) 4 D 1998 -> 2004

| | | | | | | | |
|---------|--|--|--|--|----------------------------------|--|--|
| 30/7281 | | | | | 91157979 97144437 97254453 | | |
| 30/7282 | | | | | 91157978 97144436 97254452 | | |

GRANDLAND / GRANDLAND X (A18, P1UO) 4 D 2017 ->

| | | | | | | | |
|---------|--|--|--|--|--|---|--|
| 30/2772 | | | | | | 3646795* 9815404280* | |
| 30/2771 | | | | | | 3646794* 9830320780* | |
| 30/2780 | | | | | | 3646826* 9810488580* 9815403880* 9816733780* | |
| 30/2779 | | | | | | 3646771* 9810488480* 9815403780* 9816733680* | |

INSIGNIA A (G09) 4 D 2008 -> 2017

| | | | | | | | |
|---------|--|--|--|--|----------|--|--|
| 30/1679 | | | | | 13290261 | | |
| 30/1678 | | | | | 13290262 | | |

| Modello Model | Porte Doors | Configurazione Configurations | Foto Pictures | Connettore Connector | Cross OE | Alt. OE | Istruzioni Instructions |
|------------------|----------------|----------------------------------|------------------|-------------------------|----------|---------|----------------------------|
|------------------|----------------|----------------------------------|------------------|-------------------------|----------|---------|----------------------------|

INSIGNIA A (G09) 4 D 2008 -> 2017

| | | | | | | | |
|---------|--|--|--|--|--|------------------------|--|
| 30/1681 | | | | | | 13306923* 20952723* | |
| 30/1680 | | | | | | 13306924* 20952724* | |

INSIGNIA A (G09) SPORTS TOURER 4 D 2008 -> 2017

| | | | | | | | |
|---------|--|--|--|--|----------|--|--|
| 30/1679 | | | | | 13290261 | | |
| 30/1678 | | | | | 13290262 | | |

| | | | | | | | |
|---------|--|--|--|--|--|------------------------|--|
| 30/1681 | | | | | | 13306923* 20952723* | |
| 30/1680 | | | | | | 13306924* 20952724* | |

KADETT E (T85) 4 D 1984 -> 1993

| | | | | | | | |
|---------|--|--|--|--|--|--|--|
| 30/7029 | | | | | 140103 90186593 90186599 90186661 | | |
| 30/7030 | | | | | 140104 140152 90186594 90186600 | | |

KADETT E COMBO (T85) 4 D 1984 -> 1993

| | | | | | | | |
|---------|--|--|--|--|--|--|--|
| 30/7029 | | | | | 140103 90186593 90186599 90186661 | | |
| 30/7030 | | | | | 140104 140152 90186594 90186600 | | |

KADETT E STATION WAGON (T85) 4 D 1984 -> 1991

| | | | | | | | |
|---------|--|--|--|--|--|--|--|
| 30/7029 | | | | | 140103 90186593 90186599 90186661 | | |
| 30/7030 | | | | | 140104 140152 90186594 90186600 | | |

| Modello Model | Porte Doors | Configurazione Configurations | Foto Pictures | Connettore Connector | Cross OE | Alt. OE | Istruzioni Instructions |
|------------------|----------------|----------------------------------|------------------|-------------------------|----------|---------|----------------------------|
|------------------|----------------|----------------------------------|------------------|-------------------------|----------|---------|----------------------------|

KARL (C16) 4 D 2015 -> 2019

| | | | | | | | |
|---------|--|--|--|--|----------|----------------------|--|
| 30/2754 | | | | | 95137313 | | |
| 30/2753 | | | POWER WINDOW RIGHT ALZACRISTALLI ELETTRICO DX | | 95137314 | | |
| 30/2718 | | | | | | 95137313* 140409 | |
| 30/2717 | | | POWER WINDOW RIGHT ALZACRISTALLI ELETTRICO DX | | | 140409* 95137314* | |
| 30/2758 | | | | | 42333231 | | |
| 30/2757 | | | POWER WINDOW RIGHT ALZACRISTALLI ELETTRICO DX | | 42333232 | | |

MERIVA A MPV / SPACE WAGON (X03) 4 D 2003 -> 2010

| | | | | | | | |
|----------|--|--|---|--|--|--|--|
| 30/2854 | | | | | | 93186830* 93189355* 93362661* 93389551* | |
| 30/2853 | | | | | | 5140094* 93186831* 93362662* 93389552* | |
| 30/1693 | | | | | | 140299* 5140093* 5140099* 93186830* | |
| 30/1692 | | | POWER WINDOW LEFT ALZACRISTALLI ELETTRICO SX | | | 140300* 5140094* 93174243* 93186831* | |
| 30/2740 | | | | | | 5140069* 93362663* | |
| 30/2739 | | | POWER WINDOW LEFT ALZACRISTALLI ELETTRICO SX | | | 5140070* 93362664* | |
| 30/1205C | | | | | | 5140069 93362663 | |
| 30/1204C | | | POWER WINDOW LEFT ALZACRISTALLI ELETTRICO SX | | | 5140070 93362664 | |

| Modello Model | Porte Doors | Configurazione Configurations | Foto Pictures | Connettore Connector | Cross OE | Alt. OE | Istruzioni Instructions |
|------------------|----------------|----------------------------------|------------------|-------------------------|----------|---------|----------------------------|
|------------------|----------------|----------------------------------|------------------|-------------------------|----------|---------|----------------------------|

MERIVA A MPV / SPACE WAGON (X03) 4 D 2003 -> 2010

| | | | | | | | |
|---------|--|--|--|--|----------|-----------------------|--|
| 30/2388 | | | | | | 93362663* | |
| 30/2389 | | | | | | 93362664* | |
| 30/264B | | | | | 93367905 | | |
| 30/264 | | | | | 93367906 | | |
| 30/1205 | | | | | | 5140069* 93362663* | |
| 30/1204 | | | | | | 5140070* 93362664* | |

MERIVA B MPV / SPACE WAGON (S10) 4 D 2010 -> 2017


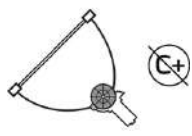




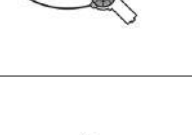




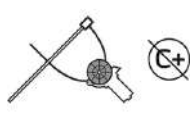









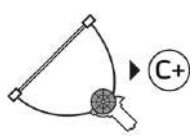




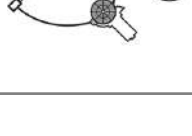




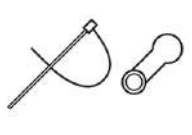









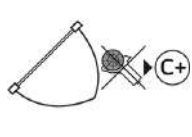









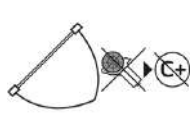








| | | | | | | | |
|---------|--|--|--|--|--|--|--|
| 30/1819 | | | | | | 140324* 140342* 93168802* 95508037* | |
| 30/1818 | | | | | | 140325* 140343* 93168803* 95508038* | |
| 30/1677 | | | | | | 140326* 140344* 93168804* 95508039* | |
| 30/1676 | | | | | | 140327* 140345* 5140072* 93168805* | |

MOKKA / MOKKA X (J13) 4 D 2012 ->

| | | | | | | | |
|---------|--|--|--|--|--|--------------------------------|--|
| 30/1973 | | | | | | 140383 95298985 95920027 | |
| 30/1972 | | | | | | 140384 95298986 95920028 | |
| 30/1975 | | | | | | 140391 95920040 | |
| 30/1974 | | | | | | 140392 95920041 | |

| Modello Model | Porte Doors | Configurazione Configurations | Foto Pictures | Connettore Connector | Cross OE | Alt. OE | Istruzioni Instructions |
|------------------|----------------|----------------------------------|------------------|-------------------------|----------|---------|----------------------------|
|------------------|----------------|----------------------------------|------------------|-------------------------|----------|---------|----------------------------|

MOVANO A (X70) 2 D 1998 ->

| | | | | | | | |
|----------|---|---|--|--|--|--|---|
| 30/3016 |  |  |  POWER WINDOW LEFT ALZACRISTALLI ELETTRICO SX |  | 4416295 93186237 8200162708 504173868 | |  |
| 30/3015 |  |  |  POWER WINDOW LEFT ALZACRISTALLI ELETTRICO SX |  | 93186238 8200162710 504173866 5801482026 | |  |
| 30/1006 |  |  |  POWER WINDOW LEFT ALZACRISTALLI ELETTRICO SX |  | 2997194 4856064 99485358 7700352494 | |  |
| 30/1005 |  |  |  POWER WINDOW LEFT ALZACRISTALLI ELETTRICO SX |  | 2997193 4856063 99485357 7700352495 | |  |
| 30/1006C |  |  |  POWER WINDOW LEFT ALZACRISTALLI ELETTRICO SX |  | 42565949 42574134 504335520 504356352 | |  |
| 30/1005C |  |  |  POWER WINDOW LEFT ALZACRISTALLI ELETTRICO SX |  | 42565948 42574133 42574135 504335512 | |  |
| 30/208B |  |  |  |  | 2997184 4401254 4500490 9160790 | |  |
| 30/208 |  |  |  |  | 2997183 4401257 4500491 9160791 | |  |
| 30/1671 |  |  |  POWER WINDOW LEFT ALZACRISTALLI ELETTRICO SX |  | 42565949* 42574134* 504335520* 504356352* | |  |
| 30/1670 |  |  |  POWER WINDOW LEFT ALZACRISTALLI ELETTRICO SX |  | 43574133* 42565948* 42574133* 42574135* | |  |
| 30/1793 |  |  |  POWER WINDOW LEFT ALZACRISTALLI ELETTRICO SX |  | 4416295* 5801529324* 5801901053* 8200162708* | |  |
| 30/1792 |  |  |  POWER WINDOW LEFT ALZACRISTALLI ELETTRICO SX |  | 5801528511* 5801901052* 8200162710* 93186238* | |  |

MOVANO B (X62) 2 D 2010 ->


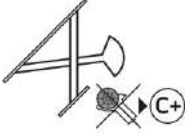





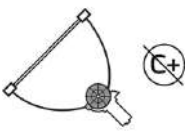






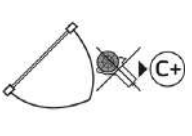




| | | | | | | | |
|---------|---|---|--|--|---|--|---|
| 30/1983 |  |  |  POWER WINDOW LEFT ALZACRISTALLI ELETTRICO SX |  | 4420302* 8070100Q0H* 807210008R* 93167945* | |  |
| 30/1982 |  |  |  POWER WINDOW LEFT ALZACRISTALLI ELETTRICO SX |  | 4420303* 8070000Q0H* 807200008R* 93167946* | |  |

| Modello Model | Porte Doors | Configurazione Configurations | Foto Pictures | Connettore Connector | Cross OE | Alt. OE | Istruzioni Instructions |
|------------------|----------------|----------------------------------|------------------|-------------------------|----------|---------|----------------------------|
|------------------|----------------|----------------------------------|------------------|-------------------------|----------|---------|----------------------------|








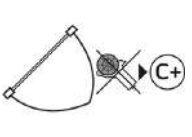



NOVA (CORSA B) 4 D 1993 -> 2009

| | | | | | | | |
|---------|---|---|---|--|--------------------|--|---|
| 30/7277 |  |  |  |  | 90139493 140147 | |  |
| 30/7278 |  | |  | | 140148 90139494 | | |

OMEGA B (V94) 4 D 1994 -> 2005

| | | | | | | | |
|---------|---|---|---|---|---|-----------|---|
| 30/2301 |  |  |  | | 140019 140069 9192629 90509777 | |  |
| 30/2300 |  | |  | | 140018 140070 9192630 90509778 | | |
| 30/2734 |  |  |  |  | 90520249 | |  |
| 30/2733 |  | |  | | 90520250 | | |
| 30/2299 |  |  |  | | | 90459123* |  |
| 30/2298 |  | |  | | | 90459124* | |

OMEGA B STATION WAGON (V94) 4 D 1994 -> 2003

| | | | | | | | |
|---------|---|---|---|--|---|-----------|---|
| 30/2301 |  |  |  | | 140019 140069 9192629 90509777 | |  |
| 30/2300 |  | |  | | 140018 140070 9192630 90509778 | | |
| 30/2734 |  |  |  |  | 90520249 | |  |
| 30/2733 |  | |  | | 90520250 | | |
| 30/2299 |  |  |  | | | 90459123* |  |
| 30/2298 |  | |  | | | 90459124* | |

| Modello Model | Porte Doors | Configurazione Configurations | Foto Pictures | Connettore Connector | Cross OE | Alt. OE | Istruzioni Instructions |
|------------------|----------------|----------------------------------|------------------|-------------------------|----------|---------|----------------------------|
|------------------|----------------|----------------------------------|------------------|-------------------------|----------|---------|----------------------------|

SIGNUM (Z03) 4 D 2003 -> 2008

| | | | | | | | |
|---------|--|--|--|--|---------------------|-----------------------|--|
| 30/1673 | | | | | 5140059 93171820 | | |
| 30/1672 | | | | | 5140060 93171821 | | |
| 30/1675 | | | | | | 24451521* 5140065* | |
| 30/1674 | | | | | | 24451522* 5140066* | |

VECTRA B (J96) 4 D 1995 -> 2004

| | | | | | | | |
|---------|--|--|--|--|--|--|--|
| 30/7271 | | | | | | 140277* 90464333* | |
| 30/7272 | | | | | | 140278* 90512644* | |
| 30/7273 | | | | | | 1207126* 6207021* 90512643* 90520227* | |
| 30/7274 | | | | | | 1207127* 140278* 6207018* 90512644* | |
| 30/1249 | | | | | | 140255* 90520229* | |
| 30/1248 | | | | | | 140258* 90520230* | |

VECTRA B STATION WAGON (J96) 4 D 1996 -> 2003

| | | | | | | | |
|---------|--|--|--|--|--|--|--|
| 30/7271 | | | | | | 140277* 90464333* | |
| 30/7272 | | | | | | 140278* 90512644* | |
| 30/7273 | | | | | | 1207126* 6207021* 90512643* 90520227* | |
| 30/7274 | | | | | | 1207127* 140278* 6207018* 90512644* | |

| Modello Model | Porte Doors | Configurazione Configurations | Foto Pictures | Connettore Connector | Cross OE | Alt. OE | Istruzioni Instructions |
|------------------|----------------|----------------------------------|------------------|-------------------------|----------|---------|----------------------------|
|------------------|----------------|----------------------------------|------------------|-------------------------|----------|---------|----------------------------|

VECTRA B STATION WAGON (J96) 4 D 1996 -> 2003

| | | | | | | | |
|---------|--|--|--|--|--|----------------------|--|
| 30/1249 | | | | | | 140255* 90520229* | |
| 30/1248 | | | | | | 140258* 90520230* | |

VECTRA C (Z02) 4 D 2002 -> 2009

| | | | | | | | |
|---------|--|--|--|--|---------------------|-----------------------|--|
| 30/1673 | | | | | 5140059 93171820 | | |
| 30/1672 | | | | | 5140060 93171821 | | |
| 30/1675 | | | | | | 24451521* 5140065* | |
| 30/1674 | | | | | | 24451522* 5140066* | |

VECTRA C STATION WAGON (Z02) 4 D 2003 -> 2009

| | | | | | | | |
|---------|--|--|--|--|---------------------|-----------------------|--|
| 30/1673 | | | | | 5140059 93171820 | | |
| 30/1672 | | | | | 5140060 93171821 | | |
| 30/1675 | | | | | | 24451521* 5140065* | |
| 30/1674 | | | | | | 24451522* 5140066* | |

VIVARO A (X83) 2 D 2001 -> 2015

| | | | | | | | |
|--------|--|--|--|--|---|--|--|
| 30/888 | | | | | 4408554 91165704 7700311820 8070100QAL | | |
| 30/887 | | | | | 4408555 91165705 7700311821 8070000QAL | | |

| Modello Model | Porte Doors | Configurazione Configurations | Foto Pictures | Connettore Connector | Cross OE | Alt. OE | Istruzioni Instructions |
|------------------|----------------|----------------------------------|------------------|-------------------------|----------|---------|----------------------------|
|------------------|----------------|----------------------------------|------------------|-------------------------|----------|---------|----------------------------|

VIVARO A (X83) 2 D 2001 -> 2015

| | | | | | | | |
|---------|--|--|--|--|--|---|--|
| 30/1845 | | | | | | 4408554* 7700311820* 8070100QAL* 91165704* | |
| 30/1844 | | | | | | 4408555* 7700311821* 8070000QAL* 91165705* | |

VIVARO B (X82) 2 D 2014 -> 2019

| | | | | | | | |
|---------|--|--|--|--|--|--|--|
| 30/2157 | | | | | | 6000617948* 807210974R* 807216280R | |
| 30/2156 | | | | | | 6000617946* 807207538R* 93867657* | |

VIVARO C (K0) 2 D 2019 ->

| | | | | | | | |
|---------|--|--|--|--|--|--|--|
| 30/3106 | | | | | | 9806619480* 9840159480* 9829889780* 9808388580* | |
| 30/3107 | | | | | | 9806618780* 9840159380* 9829889680* 9808388480* | |

ZAFIRA A MPV (T98_) 4 D 1999 -> 2006

| | | | | | | | |
|---------|--|--|--|--|--------------------|-----------------------|--|
| 30/7283 | | | | | | 90579355* 9118664* | |
| 30/7284 | | | | | | 90579356* 9118665* | |
| 30/2133 | | | | | 5140019 9118664 | | |
| 30/2132 | | | | | 5140020 9118665 | | |
| 30/1189 | | | | | | 5140031* 90579539* | |
| 30/1188 | | | | | | 5140032* 90579540* | |

| Modello Model | Porte Doors | Configurazione Configurations | Foto Pictures | Connettore Connector | Cross OE | Alt. OE | Istruzioni Instructions |
|------------------|----------------|----------------------------------|------------------|-------------------------|----------|---------|----------------------------|
|------------------|----------------|----------------------------------|------------------|-------------------------|----------|---------|----------------------------|

ZAFIRA B (A05) 4 D 2005 -> 2015

| | | | | | | | |
|---------|--|--|--|--|--|------------------------|--|
| 30/7285 | | | | | | 13132434* 93184842* | |
| 30/7286 | | | | | | 13132435* 93184843* | |
| 30/1191 | | | | | | 13132231* 5140081* | |
| 30/1190 | | | | | | 13132232* 5140082* | |

ZAFIRA LIFE (K0) 2 D 2019 ->


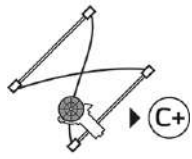





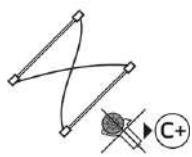



| | | | | | | | |
|---------|--|--|--|--|--|--|--|
| 30/3106 | | | | | | 9806619480* 9840159480* 9829889780* 9808388580* | |
| 30/3107 | | | | | | 9806618780* 9840159380* 9829889680* 9808388480* | |

ZAFIRA TOURER C (P12) 4 D 2011 ->

| | | | | | | | |
|---------|--|--|--|--|--|----------------------|--|
| 30/1683 | | | | | | 13369285* 140352* | |
| 30/1682 | | | | | | 13369286* 140353* | |
| 30/1685 | | | | | | 13369289* 140356* | |
| 30/1684 | | | | | | 13369290* 140357* | |

| Modello Model | Porte Doors | Configurazione Configurations | Foto Pictures | Connettore Connector | Cross OE | Alt. OE | Istruzioni Instructions |
|------------------|----------------|----------------------------------|------------------|-------------------------|----------|---------|----------------------------|
|------------------|----------------|----------------------------------|------------------|-------------------------|----------|---------|----------------------------|

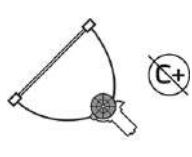




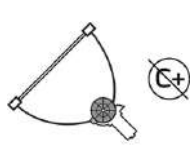




1007 (KM_) 2 D 2005 ->

| | | | | | | | |
|---------|---|---|---|--|--------|---------|---|
| 30/2497 |  |  |  |  | 9221R0 | |  |
| 30/2496 |  | | | | 9222Q8 | | |
| 30/2195 |  |  |  | | | 9221R0* |  |
| 30/2194 |  | | <small>POWER WINDOW LEFT ALZACRISTALLI ELETTRICI IN</small> | | | 9222Q8* | |

106 I (1A, 1C) 2 D 1991 -> 1996


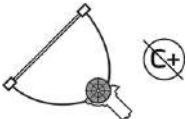



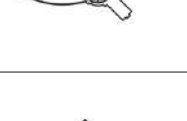




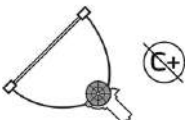




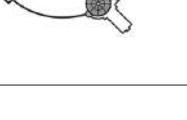












| | | | | | | | |
|---------|---|---|---|--|--------------------------------|--|---|
| 30/850 |  |  |  |  | 9221F4 9221H2 | |  |
| 30/849 |  | | <small>POWER WINDOW LEFT ALZACRISTALLI ELETTRICI IN</small> | | 9222F2 9222H0 | | |
| 30/2814 |  |  |  |  | 9636629480 9221F4 9221H2 | |  |
| 30/2813 |  | | | | 9636629380 9222F2 9222H0 | | |

106 I (1A, 1C) 4 D 1991 -> 1996






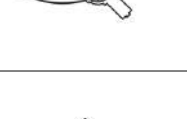




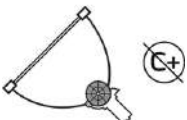







| | | | | | | | |
|---------|---|---|---|--|--|--|---|
| 30/852 |  |  |  |  | 922182 9221F5 9221H1 | |  |
| 30/851 |  | | <small>POWER WINDOW LEFT ALZACRISTALLI ELETTRICI IN</small> | | 922281 9222F3 9222G9 | | |
| 30/2816 |  |  |  |  | 922182 9636631380 9221F5 9221H1 | |  |
| 30/2815 |  | | | | 922281 9636631280 9222F3 9222G9 | | |

| Modello Model | Porte Doors | Configurazione Configurations | Foto Pictures | Connettore Connector | Cross OE | Alt. OE | Istruzioni Instructions |
|------------------|----------------|----------------------------------|------------------|-------------------------|----------|---------|----------------------------|
|------------------|----------------|----------------------------------|------------------|-------------------------|----------|---------|----------------------------|

106 II (1A_, 1C_) 2 D 1996 -> 2005

| | | | | | | | |
|---------|---|--|--|---|--------------------------------|--|--|
| 30/850 |  |  |  <small>RIGHT WINDOW LEFT ALZACRISTALLI ELETTRICI</small> |  | 9221F4 9221H2 | |  |
| 30/849 |  |  |  <small>RIGHT WINDOW LEFT ALZACRISTALLI ELETTRICI</small> |  | 9222F2 9222H0 | |  |
| 30/2814 |  |  |  <small>RIGHT WINDOW LEFT ALZACRISTALLI ELETTRICI</small> |  | 9636629480 9221F4 9221H2 | |  |
| 30/2813 |  |  |  <small>RIGHT WINDOW LEFT ALZACRISTALLI ELETTRICI</small> |  | 9636629380 9222F2 9222H0 | |  |
| 30/273B |  |  |  <small>RIGHT WINDOW LEFT ALZACRISTALLI ELETTRICI</small> |  | 922176 9221H9 | |  |
| 30/273 |  |  |  <small>RIGHT WINDOW LEFT ALZACRISTALLI ELETTRICI</small> |  | 922275 9222H6 | |  |

106 II (1A_, 1C_) 4 D 1996 -> 2005






| | | | | | | | |
|---------|---|---|---|--|--|--|---|
| 30/852 |  |  |  <small>RIGHT WINDOW LEFT ALZACRISTALLI ELETTRICI</small> |  | 922182 9221F5 9221H1 | |  |
| 30/851 |  |  |  <small>RIGHT WINDOW LEFT ALZACRISTALLI ELETTRICI</small> |  | 922281 9222F3 9222G9 | |  |
| 30/2816 |  |  |  <small>RIGHT WINDOW LEFT ALZACRISTALLI ELETTRICI</small> |  | 922182 9636631380 9221F5 9221H1 | |  |
| 30/2815 |  |  |  <small>RIGHT WINDOW LEFT ALZACRISTALLI ELETTRICI</small> |  | 922281 9636631280 9222F3 9222G9 | |  |

107 (PM_, PN_) 2 D 2005 -> 2014

| | | | | | | | |
|---------|---|---|---|--|------------------------------------|--|---|
| 30/1356 |  |  |  <small>RIGHT WINDOW LEFT ALZACRISTALLI ELETTRICI</small> |  | 698200H020 9221T8 | |  |
| 30/1355 |  |  |  <small>RIGHT WINDOW LEFT ALZACRISTALLI ELETTRICI</small> |  | 698100H020 9222T6 | |  |
| 30/2796 |  |  |  <small>RIGHT WINDOW LEFT ALZACRISTALLI ELETTRICI</small> |  | 698200H020 9221T8 B000178480 | |  |
| 30/2795 |  |  |  <small>RIGHT WINDOW LEFT ALZACRISTALLI ELETTRICI</small> |  | 698100H020 9222T6 B000178380 | |  |

| Modello Model | Porte Doors | Configurazione Configurations | Foto Pictures | Connettore Connector | Cross OE | Alt. OE | Istruzioni Instructions |
|------------------|----------------|----------------------------------|------------------|-------------------------|----------|---------|----------------------------|
|------------------|----------------|----------------------------------|------------------|-------------------------|----------|---------|----------------------------|

107 (PM_, PN_) 2 D 2005 -> 2014

| | | | | | | | |
|---------|---|---|---|--|--|------------------------|---|
| 30/1374 |  |  |  | | | 698200H020* 9221T8* |  |
| 30/1373 |  | | | | | 698100H020* 9222T6* | |

107 (PM_, PN_) 4 D 2005 -> 2014

| | | | | | | | |
|---------|---|---|---|---|------------------------------------|------------------------|---|
| 30/1356 |  |  |  |  | 698200H020 9221T8 | |  |
| 30/1355 |  | | | | 698100H020 9222T6 | | |
| 30/2796 |  |  |  |  | 698200H020 9221T8 B000178480 | |  |
| 30/2795 |  | | | | 698100H020 9222T6 B000178380 | | |
| 30/1374 |  |  |  | | | 698200H020* 9221T8* |  |
| 30/1373 |  | | | | | 698100H020* 9222T6* | |

108 2 D 2014 ->


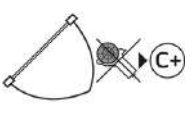





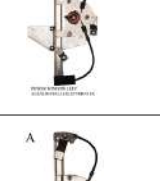



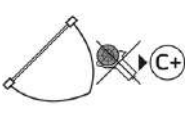








| | | | | | | | |
|---------|---|---|---|--|--|--|---|
| 30/2800 |  |  |  |  | 698200H071 B000878480 B001019980 | |  |
| 30/2799 |  | | | | 698100H100 B000878280 B001019580 | | |
| 30/269B |  |  |  | | 698200H080 B000878580 B001020080 | |  |
| 30/269 |  | | | | 698100H081 B000878380 B001019680 | | |

| Modello Model | Porte Doors | Configurazione Configurations | Foto Pictures | Connettore Connector | Cross OE | Alt. OE | Istruzioni Instructions |
|------------------|----------------|----------------------------------|------------------|-------------------------|----------|---------|----------------------------|
|------------------|----------------|----------------------------------|------------------|-------------------------|----------|---------|----------------------------|

108 4 D 2014 ->

| | | | | | | | |
|---------|---|---|---|--|--|--|---|
| 30/2798 |  |  |  |  | 698200H030 698200H031 698200H110 B000848480 | |  |
| 30/2797 |  |  |  |  | 698100H030 698100H031 698100H120 B000848280 | |  |
| 30/2338 |  |  |  |  | 698200H030 698200H031 698200H110 B000848480 | |  |
| 30/2337 |  |  |  |  | 698100H030 698100H031 698100H120 B000848280 | |  |
| 30/268B |  |  |  |  | 698200H040 698200H041 B000848580 B001019480 | |  |
| 30/268 |  |  |  |  | 698100H041 698100H130 B000848380 B001019880 | |  |
| 30/2263 |  |  |  |  | | 698200H030* 698200H031* 698200H110* B000848480* |  |
| 30/2262 |  |  |  |  | | 698100H030* 698100H031* 698100H120* B000848280* |  |

2008 I (CU_) 4 D 2013 ->


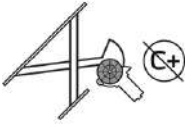




| | | | | | | | |
|---------|---|---|---|--|--|---|---|
| 30/2449 |  |  |  |  | | 9673153280* 9806088180* 9816402180* |  |
| 30/2448 |  |  |  |  | | 9673153180* 9806088080* 9816402080* |  |
| 30/2303 |  |  |  |  | | 9673154280* 9806088680* 9816402380* |  |
| 30/2302 |  |  |  |  | | 9673154180* 9806088580* 9816402280* |  |

205 I (741A/C) 2 D 1983 -> 1987

| | | | | | | | |
|---------|---|---|---|--|--|--|---|
| 30/7287 |  |  |  |  | | 660213* 660223* 922170* 660212* |  |
| 30/7288 |  |  |  |  | | 660212* 922250* 96101680* 660224* |  |

| Modello Model | Porte Doors | Configurazione Configurations | Foto Pictures | Connettore Connector | Cross OE | Alt. OE | Istruzioni Instructions |
|------------------|----------------|----------------------------------|------------------|-------------------------|----------|---------|----------------------------|
|------------------|----------------|----------------------------------|------------------|-------------------------|----------|---------|----------------------------|


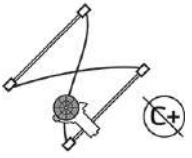





205 I (741A/C) 4 D 1983 -> 1987

| | | | | | | | |
|---------|---|---|---|--|--|--|---|
| 30/7289 |  |  |  |  | | 660213* 660223* 922169* 660212* |  |
| 30/7290 |  | | | | | 660212* 922269* 96101680* 660224* | |

206 (2A/C) 2 D 1998 -> 2012

| | | | | | | | |
|--------|---|---|---|--|------------------|--|---|
| 30/914 |  |  |  |  | 9221F9 9221E6 | |  |
| 30/913 |  | |  | | 9222F7 9222E4 | | |

206 (2A/C) 4 D 1998 -> 2012

| | | | | | | | |
|--------|---|--|---|--|--------------------------------------|--|--|
| 30/916 |  |  |  |  | 9221EY 9221G0 9221E8 9221E9 | |  |
| 30/915 |  | |  | | 9222EY 9222F8 9222E8 9222E7 | | |


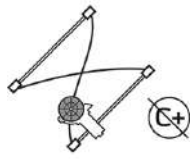






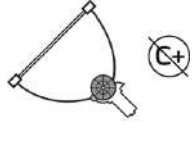




| | | | | | | | |
|---------|---|---|---|--|------------------|--|---|
| 30/7291 |  |  |  |  | 922352 9223E8 | |  |
| 30/7292 |  | |  | | 922453 9224F2 | | |

| | | | | | | | |
|---------|---|---|---|--|--------------------------------|--|---|
| 30/2810 |  |  |  |  | 922351 922352 9627332581 | |  |
| 30/2809 |  | | | | 922452 922453 9627332481 | | |


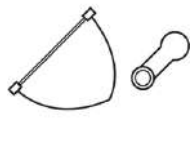


| | | | | | | | |
|---------|---|---|---|--|----------------------|--|---|
| 30/253B |  |  |  | | 9623109780 9223E7 | |  |
| 30/253 |  | | | | 9623109680 9224F1 | | |

| Modello Model | Porte Doors | Configurazione Configurations | Foto Pictures | Connettore Connector | Cross OE | Alt. OE | Istruzioni Instructions |
|------------------|----------------|----------------------------------|------------------|-------------------------|----------|---------|----------------------------|
|------------------|----------------|----------------------------------|------------------|-------------------------|----------|---------|----------------------------|


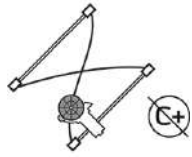




206 CC (2D) 2 D 2000 -> 2008

| | | | | | | | |
|---------|---|---|--|--|----------------------------|--|---|
| 30/1491 |  |  |  POWER WINDOW LEFT ALZACRISTALLI ELETTRICO SX |  | 9221G8 9221P2 9221Y3 | |  |
| 30/1490 |  |  | | | 9222G6 9222P0 9222Y2 | | |
| 30/2501 |  |  |  OE |  | 922357 9636597380 | |  |
| 30/2500 |  | | | | 922458 9636597280 | | |




206 SW (2E/K) 4 D 2002 ->

| | | | | | | | |
|---------|---|---|---|---|--------------------------------|--|---|
| 30/2810 |  |  |  OE |  | 922351 922352 9627332581 | |  |
| 30/2809 |  | | | | 922452 922453 9627332481 | | |
| 30/253B |  |  |  OE | | 9623109780 9223E7 | |  |
| 30/253 |  | | | | 9623109680 9224F1 | | |

206+ (2L_, 2M_) 2 D 2009 -> 2013

| | | | | | | | |
|--------|---|---|---|--|------------------|--|---|
| 30/914 |  |  |  |  | 9221F9 9221E6 | |  |
| 30/913 |  | | | | 9222F7 9222E4 | | |

206+ (2L_, 2M_) 4 D 2009 -> 2013

| | | | | | | | |
|---------|---|---|---|--|--------------------------------|--|---|
| 30/2810 |  |  |  OE |  | 922351 922352 9627332581 | |  |
| 30/2809 |  | | | | 922452 922453 9627332481 | | |

| Modello Model | Porte Doors | Configurazione Configurations | Foto Pictures | Connettore Connector | Cross OE | Alt. OE | Istruzioni Instructions |
|------------------|----------------|----------------------------------|------------------|-------------------------|----------|---------|----------------------------|
|------------------|----------------|----------------------------------|------------------|-------------------------|----------|---------|----------------------------|

206+ (2L_, 2M_) 4 D 2009 -> 2013

| | | | | | | | |
|---------|--|---|---|--|----------------------|--|---|
| 30/253B | |  |  |  OE | 9623109780 9223E7 | |  |
| 30/253 | |  | | | 9623109680 9224F1 | | |

207 (WA_, WC_) 2 D 2006 -> 2015


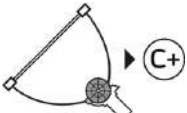











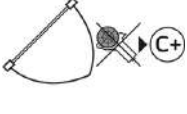




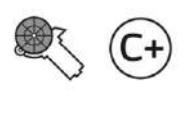





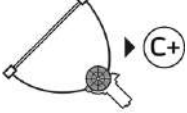





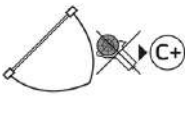



| | | | | | | | |
|----------|-----|---|---|---|--|---------|---|
| 30/7294 | RHD |  |  |  |  | 9221Y4 |  |
| 30/7293 | |  | | | | 9222W9 | |
| 30/2123C | |  |  |  |  | 9221FT |  |
| 30/2122C | |  | | | | 9222FS | |
| 30/2423 | |  |  |  |  | 9221FT* |  |
| 30/2422 | |  | | | | 9222FS* | |
| 30/2123 | RHD |  |  |  A | | 9221FT* |  |
| 30/2122 | |  | | | | 9222FS* | |

207 (WA_, WC_) 4 D 2006 -> 2015

| | | | | | | | |
|---------|-----|---|---|--|--|------------------|---|
| 30/7294 | RHD |  |  |  |  | 9221Y4 |  |
| 30/7293 | |  | | | | 9222W9 | |
| 30/2812 | |  |  |  OE |  | 9221X1 9222F |  |
| 30/2811 | |  | | | | 9222FS 9222X0 | |

| Modello Model | Porte Doors | Configurazione Configurations | Foto Pictures | Connettore Connector | Cross OE | Alt. OE | Istruzioni Instructions |
|------------------|----------------|----------------------------------|------------------|-------------------------|----------|---------|----------------------------|
|------------------|----------------|----------------------------------|------------------|-------------------------|----------|---------|----------------------------|

207 (WA_, WC_) 4 D 2006 -> 2015

| | | | | | | | |
|----------|---|---|--|--|------------------|--|---|
| 30/2123C |  |  |  POWER WINDOW LEFT ALZACRISTALLI ELETTRICO SX |  | 9221FT | |  |
| 30/2122C |  | | | | 9222FS | | |
| 30/2423 |  |  |  POWER WINDOW LEFT ALZACRISTALLI ELETTRICO SX |  | | 9221FT* |  |
| 30/2422 |  | | | | | 9222FS* | |
| 30/2123 |  |  |  POWER WINDOW LEFT ALZACRISTALLI ELETTRICO SX | | | 9221FT* |  |
| 30/2122 | RHD  | | | | | 9222FS* | |
| 30/2425 |  |  |  POWER WINDOW LEFT ALZACRISTALLI ELETTRICO SX |  | | 9223A4* 9223C5* 9223G0* 9223G1* |  |
| 30/2424 |  | | | | | 9224A8* 9224C9* 9224G4* 9224G5* | |
| 30/3158 |  |  |  POWER WINDOW LEFT ALZACRISTALLI ELETTRICO SX |  | 9223G0 9223A4 | |  |
| 30/3157 |  | | | | 9224G4 9224A8 | | |
| 30/3156 |  |  |  POWER WINDOW LEFT ALZACRISTALLI ELETTRICO SX | | | 9223G0* 9223A4* |  |
| 30/3155 |  | | | | | 9224G4* 9224A8* | |

207 CC (WD_) 2 D 2007 -> 2015

| | | | | | | | |
|----------|---|---|--|--|----------------------|--|---|
| 30/2503B |  |  |  POWER WINDOW LEFT ALZACRISTALLI ELETTRICO SX |  | 9673835380 9221GL | |  |
| 30/2502B |  | | | | 9673835280 9222GH | | |

| Modello Model | Porte Doors | Configurazione Configurations | Foto Pictures | Connettore Connector | Cross OE | Alt. OE | Istruzioni Instructions |
|------------------|----------------|----------------------------------|------------------|-------------------------|----------|---------|----------------------------|
|------------------|----------------|----------------------------------|------------------|-------------------------|----------|---------|----------------------------|

207 SW (WK_) 4 D 2007 -> 2013

| | | | | | | | |
|----------|-----|--|--|--|--|--|--|
| 30/7294 | RHD | | | | | 9221Y4 | |
| 30/7293 | | | | | | 9222W9 | |
| 30/2812 | RHD | | | | | 9221X1 9222F | |
| 30/2811 | | | | | | 9222FS 9222X0 | |
| 30/2123C | RHD | | | | | 9221FT | |
| 30/2122C | | | | | | 9222FS | |
| 30/2423 | RHD | | | | | 9221FT* | |
| 30/2422 | | | | | | 9222FS* | |
| 30/2123 | RHD | | | | | 9221FT* | |
| 30/2122 | | | | | | 9222FS* | |
| 30/1012B | RHD | | | | | 9223C5 9223G1 | |
| 30/1011B | | | | | | 9224C9 9224G5 | |
| 30/2425 | RHD | | | | | 9223A4* 9223C5* 9223G0* 9223G1* | |
| 30/2424 | | | | | | 9224A8* 9224C9* 9224G4* 9224G5* | |

| Modello Model | Porte Doors | Configurazione Configurations | Foto Pictures | Connettore Connector | Cross OE | Alt. OE | Istruzioni Instructions |
|------------------|----------------|----------------------------------|------------------|-------------------------|----------|---------|----------------------------|
|------------------|----------------|----------------------------------|------------------|-------------------------|----------|---------|----------------------------|

207 SW (WK_) 4 D 2007 -> 2013

| | | | | | | | |
|---------|--|--|--|---|--|--------------------|--|
| 30/3172 | | | | | | 9223C5* 9223G1* | |
| 30/3171 | | | | POWER WINDOW LEFT ALZACRISTALLI ELETTRICO SX | | 9224C9* 9224G5* | |

208 I (CA_ ,CC_) 2 D 2012 -> 2020

| | | | | | | | |
|---------|-----|--|--|--|------------|-------------|--|
| 30/2334 | RHD | | | | 9673154780 | | |
| 30/7295 | | | | POWER WINDOW RIGHT ALZACRISTALLI ELETTRICO SX | 9673154680 | | |
| 30/1705 | | | | | | 9673155280* | |
| 30/1704 | RHD | | | POWER WINDOW LEFT ALZACRISTALLI ELETTRICO SX | | 9673155180* | |

208 I (CA_ ,CC_) 4 D 2012 -> 2020

| | | | | | | | |
|---------|-----|--|--|---|------------|---|--|
| 30/2336 | RHD | | | | 9673154480 | | |
| 30/2335 | | | | POWER WINDOW LEFT ALZACRISTALLI ELETTRICO SX | 9673154380 | | |
| 30/1803 | | | | | | 9673153280* 9806088180* 9816402180* | |
| 30/1802 | | | | POWER WINDOW LEFT ALZACRISTALLI ELETTRICO SX | | 9673153180* 9806088080* 9816402080* | |
| 30/2449 | | | | | | 9673153280* 9806088180* 9816402180* | |
| 30/2448 | | | | POWER WINDOW LEFT ALZACRISTALLI ELETTRICO SX | | 9673153180* 9806088080* 9816402080* | |
| 30/2303 | | | | | | 9673154280* 9806088680* 9816402380* | |
| 30/2302 | | | | POWER WINDOW LEFT ALZACRISTALLI ELETTRICO SX | | 9673154180* 9806088580* 9816402280* | |

| Modello Model | Porte Doors | Configurazione Configurations | Foto Pictures | Connettore Connector | Cross OE | Alt. OE | Istruzioni Instructions |
|------------------|----------------|----------------------------------|------------------|-------------------------|----------|---------|----------------------------|
|------------------|----------------|----------------------------------|------------------|-------------------------|----------|---------|----------------------------|

3008 MPV / SPACE WAGON (0U_) 4 D 2009 -> 2017

| | | | | | | | |
|---------|--|--|---|--|--|-----------------------------------|--|
| 30/1701 | | | | | | 9221FF* 9222FF* 96 | |
| 30/1700 | | | | | | 9222FF* 9682808880* | |
| 30/1703 | | | | | | 1607675380* 9223F2* 9223G3* | |
| 30/1702 | | | | | | 1607674980* 9224F6* 9224G6* | |
| 30/3032 | | | | | | 1607675380* 9223G3* | |
| 30/3031 | | | <small>POWER WINDOW LEFT ALZACRISTALLI ELETTRICO SX</small> | | | 1607674980* 9224G6* | |

3008 SUV (MC_, MR_, MJ_, M4_) 4 D 2016 ->



| | | | | | | | |
|---------|--|--|---|--|--|--|--|
| 30/2778 | | | | | | 9810488980* 9819520280* 9830389380* 9830655880* | |
| 30/2777 | | | <small>POWER WINDOW LEFT ALZACRISTALLI ELETTRICO SX</small> | | | 9810488880* 9819520080* 9830389280* 9830655780* | |
| 30/2780 | | | | | | 3646826* 9810488580* 9815403880* 9816733780* | |
| 30/2779 | | | <small>POWER WINDOW LEFT ALZACRISTALLI ELETTRICO SX</small> | | | 3646771* 9810488480* 9815403780* 9816733680* | |

306 (7B, N3, N5) 2 D 1993 -> 2003


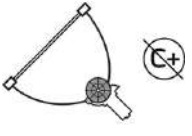





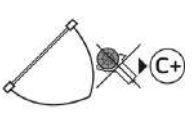




| | | | | | | | |
|--------|--|--|---|--|--|------------------|--|
| 30/862 | | | | | | 922186 9221C3 | |
| 30/861 | | | <small>POWER WINDOW LEFT ALZACRISTALLI ELETTRICO SX</small> | | | 9222H8 9222K6 | |

| Modello Model | Porte Doors | Configurazione Configurations | Foto Pictures | Connettore Connector | Cross OE | Alt. OE | Istruzioni Instructions |
|------------------|----------------|----------------------------------|------------------|-------------------------|----------|---------|----------------------------|
|------------------|----------------|----------------------------------|------------------|-------------------------|----------|---------|----------------------------|

306 (7B, N3, N5) 4 D 1993 -> 2003

| | | | | | | | |
|---------|---|---|---|--|--------------------------------------|--|---|
| 30/864 |  |  |  |  | 922184 9221C1 9221J1 9221K9 | |  |
| 30/863 |  | | <small>POWER WINDOW LEFT ALZACRISTALLI ELETTRICO SX</small> | | 922283 9222C1 9222H9 9222K7 | | |
| 30/7296 |  |  |  |  | 922328 922371 922428 92244 | |  |
| 30/7297 |  | | <small>POWER WINDOW LEFT ALZACRISTALLI ELETTRICO SX</small> | | 922428 922443 922465 922474 | | |

307 (3A/C) 2 D 2000 -> 2012

| | | | | | | | |
|---------|---|---|---|--|--------|--------------------|---|
| 30/1697 |  |  |  |  | | 9221K6* 9221K1* |  |
| 30/1696 |  | | <small>POWER WINDOW LEFT ALZACRISTALLI ELETTRICO SX</small> | | | 9222J8* 9222K0* | |
| 30/932 |  |  |  |  | 9221K1 | |  |
| 30/931 |  | | <small>POWER WINDOW LEFT ALZACRISTALLI ELETTRICO SX</small> | | 9222K0 | | |

307 (3A/C) 4 D 2000 -> 2012


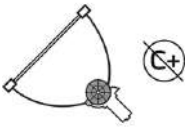





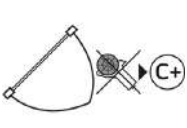



| | | | | | | | |
|---------|---|---|---|--|--------------------------------|--------------------|---|
| 30/2742 |  |  |  |  | | 9221K6* 9221K0* |  |
| 30/2741 |  | | <small>POWER WINDOW LEFT ALZACRISTALLI ELETTRICO SX</small> | | | 9222J8* 9222J9* | |
| 30/934 |  |  |  |  | 9221K0 | |  |
| 30/933 |  | | | | 9222J9 | | |
| 30/2495 |  |  |  |  | 922366 9659880580 9223A2 | |  |
| 30/2494 |  | | | | 922469 9659880480 9224A6 | | |

| Modello Model | Porte Doors | Configurazione Configurations | Foto Pictures | Connettore Connector | Cross OE | Alt. OE | Istruzioni Instructions |
|------------------|----------------|----------------------------------|------------------|-------------------------|----------|---------|----------------------------|
|------------------|----------------|----------------------------------|------------------|-------------------------|----------|---------|----------------------------|


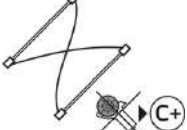




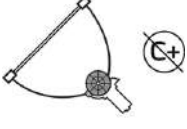



307 (3A/C) 4 D 2000 -> 2012

| | | | | | | | |
|---------|---|---|---|----|----------------------|--|---|
| 30/254B |  |  |  | OE | 9659881680 9223A1 | |  |
| 30/254 |  | | | | 9659881580 9224A5 | | |

307 BREAK (3E) 4 D 2002 -> 2009

| | | | | | | | |
|---------|--|--|--|--|--------|--------------------|--|
| 30/2742 |  |  |  | | | 9221K6* 9221K0* |  |
| 30/2741 |  | |  | | | 9222J8* 9222J9* | |
| 30/934 |  |  |  | | 9221K0 | |  |
| 30/933 |  | | | | 9222J9 | | |

307 CC (3B_) 2 D 2003 -> 2009

| | | | | | | | |
|---------|---|---|---|----|--------------------------------|--|---|
| 30/1493 |  |  |  | | 9221P0 9221W0 | |  |
| 30/1492 |  | | | | 9222N8 9222V9 | | |
| 30/2509 |  |  |  | OE | 922382 922393 9651536080 | |  |
| 30/2508 |  | | | | 922484 922497 9651535980 | | |

307 SW (3H) 4 D 2002 -> 2009

| | | | | | | | |
|---------|---|---|---|--|--|--------------------|---|
| 30/2742 |  |  |  | | | 9221K6* 9221K0* |  |
| 30/2741 |  | |  | | | 9222J8* 9222J9* | |

| Modello Model | Porte Doors | Configurazione Configurations | Foto Pictures | Connettore Connector | Cross OE | Alt. OE | Istruzioni Instructions |
|------------------|----------------|----------------------------------|------------------|-------------------------|----------|---------|----------------------------|
|------------------|----------------|----------------------------------|------------------|-------------------------|----------|---------|----------------------------|

307 SW (3H) 4 D 2002 -> 2009

| | | | | | | | |
|---------|--|--|--|--|----------------------|--|--|
| 30/934 | | | | | 9221K0 | | |
| 30/933 | | | | | 9222J9 | | |
| 30/255B | | | | | 922399 9659882780 | | |
| 30/255 | | | | | 9659882680 9224A3 | | |

308 CC (4B_) 2 D 2009 -> 2015


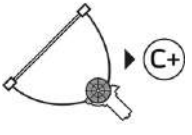





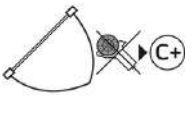




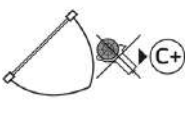



| | | | | | | | |
|---------|--|--|--|--|--------------------------------|--|--|
| 30/2515 | | | | | 9681954580 9223F4 9223G4 | | |
| 30/2514 | | | | | 9681954480 9224F8 9224G8 | | |

308 I (4A_, 4C_) 4 D 2007 -> 2016


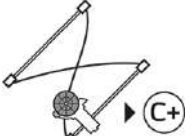





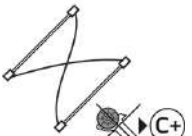




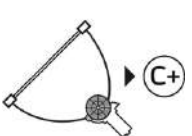





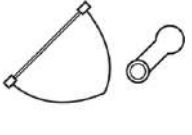



| | | | | | | | |
|---------|--|--|--|--|--|--|--|
| 30/2860 | | | | | 9221GX* 9221CW* 9221CX* 9675466180* | | |
| 30/2859 | | | | | 9222CV* 9222GS* 9222CW* 9675466080* | | |
| 30/1815 | | | | | 9221CW 9221GX | | |
| 30/1814 | | | | | 9222CV 9222GS | | |
| 30/2834 | | | | | 9657246280 9221CW 9221GX | | |
| 30/2833 | | | | | 9657246180 9222CV 9222GS | | |
| 30/1699 | | | | | 9223E5 | | |
| 30/1698 | | | | | 9224E9 | | |

| Modello Model | Porte Doors | Configurazione Configurations | Foto Pictures | Connettore Connector | Cross OE | Alt. OE | Istruzioni Instructions |
|------------------|----------------|----------------------------------|------------------|-------------------------|----------|---------|----------------------------|
|------------------|----------------|----------------------------------|------------------|-------------------------|----------|---------|----------------------------|

308 I SW (4E_, 4H_) 4 D 2007 -> 2014











| | | | | | | | |
|---------|--|---|--|--|--------------------------------|--|--|
| 30/2860 |  |  |  |  | | 9221GX* 9221CW* 9221CX* 9675466180* |  |
| 30/2859 |  | | | | | 9222CV* 9222GS* 9222CW* 9675466080* | |
| 30/1815 |  |  |  | | 9221CW 9221GX | |  |
| 30/1814 |  | | | | 9222CV 9222GS | | |
| 30/2834 |  |  |  | | 9657246280 9221CW 9221GX | |  |
| 30/2833 |  | | | | 9657246180 9222CV 9222GS | | |

308 II (LB_, LP_, LW_, LH_, L3_) 4 D 2013 -> 2021


| | | | | | | | |
|---------|---|---|---|--|--|---|---|
| 30/2856 |  |  |  |  | 9677734880 9816273280 9826079580 | |  |
| 30/2855 |  | | | | 9677734780 9816273080 9826079480 | | |
| 30/2760 |  |  |  | | | 9677734880* 9816273280* 9826079580* |  |
| 30/2759 |  | | <small>POWER WINDOW REG. ALZACRISTALLI ELETTRICO DX</small> | | | 9677734780* 9816273080* 9826079480* | |
| 30/2858 |  |  |  |  | 9677737380 9800273480 9816273680 9826080480 | |  |
| 30/2857 |  | | | | 9677737280 9800273380 9816273480 9826080380 | | |
| 30/274B |  |  |  | | 9677737580 | |  |
| 30/274 |  | | | | 9677737480 | | |

| Modello Model | Porte Doors | Configurazione Configurations | Foto Pictures | Connettore Connector | Cross OE | Alt. OE | Istruzioni Instructions |
|------------------|----------------|----------------------------------|------------------|-------------------------|----------|---------|----------------------------|
|------------------|----------------|----------------------------------|------------------|-------------------------|----------|---------|----------------------------|

308 II (LB_, LP_, LW_, LH_, L3_) 4 D 2013 -> 2021

| | | | | | | | |
|---------|---|---|--|--|--------|--|---|
| 30/2706 |  |  |  1 FISSAGGIO NEL VETRO POWER WINDOW LEFT ALZACRISTALLI ELETTRICO SX | | 9223C9 | |  |
| 30/2705 |  | | | | 9224E2 | | |
| 30/2762 |  |  |  POWER WINDOW RIGHT ALZACRISTALLI ELETTRICO DX | | | 9677737380* 9800273480* 9816273680* 9826080480* |  |
| 30/2761 |  | | | | | 9677737280* 9800273380* 9816273480* 9826080380* | |

308 II SW (LC_, LJ_, LR_, LX_, L4_) 4 D 2014 -> 2021







| | | | | | | | |
|---------|---|---|--|--|--|---|---|
| 30/2856 |  |  |  OE |  | 9677734880 9816273280 9826079580 | |  |
| 30/2855 |  | | | | 9677734780 9816273080 9826079480 | | |
| 30/2760 |  |  |  POWER WINDOW RIGHT ALZACRISTALLI ELETTRICO DX | | | 9677734880* 9816273280* 9826079580* |  |
| 30/2759 |  | | | | | 9677734780* 9816273080* 9826079480* | |
| 30/2858 |  |  |  OE |  | 9677737380 9800273480 9816273680 9826080480 | |  |
| 30/2857 |  | | | | 9677737280 9800273380 9816273480 9826080380 | | |
| 30/274B |  |  |  OE | | 9677737580 | |  |
| 30/274 |  | | | | 9677737480 | | |
| 30/2706 |  |  |  1 FISSAGGIO NEL VETRO POWER WINDOW LEFT ALZACRISTALLI ELETTRICO SX | | 9223C9 | |  |
| 30/2705 |  | | | | 9224E2 | | |

| Modello Model | Porte Doors | Configurazione Configurations | Foto Pictures | Connettore Connector | Cross OE | Alt. OE | Istruzioni Instructions |
|------------------|----------------|----------------------------------|------------------|-------------------------|----------|---------|----------------------------|
|------------------|----------------|----------------------------------|------------------|-------------------------|----------|---------|----------------------------|







308 II SW (LC_, LJ_, LR_, LX_, L4_) 4 D 2014 -> 2021

| | | | | | | | |
|---------|---|---|---|--|--|--|---|
| 30/2762 |  |  |  <small>POWER WINDOW RIGHT ALZACRISTALLI ELETTRICO DX</small> | | | 9677737380* 9800273480* 9816273680* 9826080480* |  |
| 30/2761 |  | | | | | 9677737280* 9800273380* 9816273480* 9826080380* | |











309 I (10C, 10A) 4 D 1985 -> 1989

| | | | | | | | |
|---------|---|---|--|--|--|--|---|
| 30/7289 |  |  |  <small>POWER WINDOW LEFT ALZACRISTALLI ELETTRICO SX</small> |  | | 660213* 660223* 922169* 660212* |  |
| 30/7290 |  | | | | | 660212* 922269* 96101680* 660224* | |

309 II (3C, 3A) 4 D 1989 -> 1993

| | | | | | | | |
|---------|---|--|---|--|--|--|--|
| 30/7289 |  |  |  <small>POWER WINDOW LEFT ALZACRISTALLI ELETTRICO SX</small> |  | | 660213* 660223* 922169* 660212* |  |
| 30/7290 |  | | | | | 660212* 922269* 96101680* 660224* | |

4007 (VU_, VV_) 4 D 2007 -> 2013

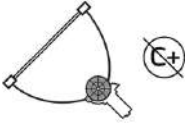






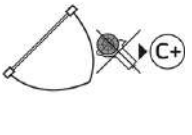



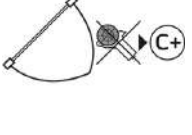









| | | | | | | | |
|---------|---|---|--|--|--------------------|--|---|
| 30/2912 |  |  |  <small>POWER WINDOW LEFT ALZACRISTALLI ELETTRICO SX</small> | | 5713A087 9221CT | |  |
| 30/2911 |  | | | | 5713A354 922CS | | |
| 30/2920 |  |  |  <small>POWER WINDOW LEFT ALZACRISTALLI ELETTRICO SX</small> | | 5743A049 9223C3 | |  |
| 30/2919 |  | | | | 5743A049 9223C3 | | |

405 II (4B) 4 D 1992 -> 1999


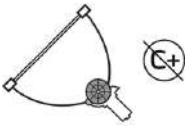






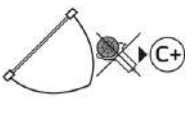




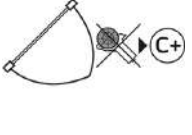



| | | | | | | | |
|--------|---|---|--|--|------------------|--|---|
| 30/681 |  |  |  <small>POWER WINDOW LEFT ALZACRISTALLI ELETTRICO SX</small> |  | 922166 922180 | |  |
| 30/680 |  | | | | 922266 922279 | | |

| Modello Model | Porte Doors | Configurazione Configurations | Foto Pictures | Connettore Connector | Cross OE | Alt. OE | Istruzioni Instructions |
|------------------|----------------|----------------------------------|------------------|-------------------------|----------|---------|----------------------------|
|------------------|----------------|----------------------------------|------------------|-------------------------|----------|---------|----------------------------|

406 (8B) 4 D 1995 -> 2005

| | | | | | | | |
|---------|-----|---|---|---|--|------------------|---|
| 30/792 | |  |  |  |  | 922295 9222K5 |  |
| 30/791 | |  | |  | | 922195 9221K7 | |
| 30/1410 | RHD |  |  |  | | 9221F6* |  |
| 30/1409 | |  | | | | 9222F4* | |
| 30/7298 | RHD |  |  |  | | 9221F0* |  |
| 30/7299 | |  | | | | 9222E9* | |
| 30/936 | |  |  |  |  | 922336 922356 |  |
| 30/935 | |  | | | | 922437 922457 | |

406 BREAK (8E/F) 4 D 1996 -> 2004

| | | | | | | | |
|---------|-----|---|---|---|--|------------------|---|
| 30/792 | |  |  |  |  | 922295 9222K5 |  |
| 30/791 | |  | |  | | 922195 9221K7 | |
| 30/1410 | RHD |  |  |  | | 9221F6* |  |
| 30/1409 | |  | | | | 9222F4* | |
| 30/7298 | RHD |  |  |  | | 9221F0* |  |
| 30/7299 | |  | | | | 9222E9* | |

| Modello Model | Porte Doors | Configurazione Configurations | Foto Pictures | Connettore Connector | Cross OE | Alt. OE | Istruzioni Instructions |
|------------------|----------------|----------------------------------|------------------|-------------------------|----------|---------|----------------------------|
|------------------|----------------|----------------------------------|------------------|-------------------------|----------|---------|----------------------------|

407 (6D_) 4 D 2004 -> 2011

| | | | | | | | |
|---------|--|--|--|--|--------|--|--|
| 30/1121 | | | | | 9221Q6 | | |
| 30/1120 | | | | | 9222Q4 | | |
| 30/1123 | | | | | 922385 | | |
| 30/1122 | | | | | 922491 | | |

407 SW (6E_) 4 D 2004 -> 2011

| | | | | | | | |
|---------|--|--|--|--|--------|--|--|
| 30/1121 | | | | | 9221Q6 | | |
| 30/1120 | | | | | 9222Q4 | | |
| 30/1123 | | | | | 922385 | | |
| 30/1122 | | | | | 922491 | | |

5008 (0U_, 0E_) 4 D 2009 -> 2017

| | | | | | | | |
|---------|--|--|--|--|--|-----------------------------------|--|
| 30/1701 | | | | | | 9221FF* 9222FF* 96 | |
| 30/1700 | | | | | | 9222FF* 9682808880* | |
| 30/1703 | | | | | | 1607675380* 9223F2* 9223G3* | |
| 30/1702 | | | | | | 1607674980* 9224F6* 9224G6* | |
| 30/3032 | | | | | | 1607675380* 9223G3* | |
| 30/3031 | | | | | | 1607674980* 9224G6* | |

| Modello Model | Porte Doors | Configurazione Configurations | Foto Pictures | Connettore Connector | Cross OE | Alt. OE | Istruzioni Instructions |
|------------------|----------------|----------------------------------|------------------|-------------------------|----------|---------|----------------------------|
|------------------|----------------|----------------------------------|------------------|-------------------------|----------|---------|----------------------------|

5008 II (MC_, MJ_, MR_, M4_) 4 D 2016 ->

| | | | | | | | |
|---------|--|--|---|--|--|--|--|
| 30/2778 | | | | | | 9810488980* 9819520280* 9830389380* 9830655880* | |
| 30/2777 | | | POWER WINDOW LEFT ALZACRISTALLI ELETTRICO SX | | | 9810488880* 9819520080* 9830389280* 9830655780* | |

508 I (8D_) 4 D 2010 -> 2018

| | | | | | | | |
|---------|--|--|--|--|--|------------------------|--|
| 30/1829 | | | POWER WINDOW LEFT ALZACRISTALLI ELETTRICO SX | | | 9221GY* 9806086980* | |
| 30/1828 | | | POWER WINDOW LEFT ALZACRISTALLI ELETTRICO SX | | | 9222GT* 9806086880* | |
| 30/1831 | | | | | | 9223H5* 9806087180* | |
| 30/1830 | | | POWER WINDOW RIGHT ALZACRISTALLI ELETTRICO DX | | | 9224H9* 9806087080* | |

508 I SW (8E_) 4 D 2010 -> 2018

| | | | | | | | |
|---------|--|--|--|--|--|------------------------|--|
| 30/1829 | | | POWER WINDOW LEFT ALZACRISTALLI ELETTRICO SX | | | 9221GY* 9806086980* | |
| 30/1828 | | | POWER WINDOW LEFT ALZACRISTALLI ELETTRICO SX | | | 9222GT* 9806086880* | |
| 30/1831 | | | | | | 9223H5* 9806087180* | |
| 30/1830 | | | POWER WINDOW RIGHT ALZACRISTALLI ELETTRICO DX | | | 9224H9* 9806087080* | |

607 (9D, 9U) 4 D 2000 ->

| | | | | | | | |
|---------|--|--|--|--|--|--------------------|--|
| 30/2377 | | | | | | 9221G9* 9221Q2* | |
| 30/2376 | | | | | | 9222G7* 9222Q0* | |

| Modello Model | Porte Doors | Configurazione Configurations | Foto Pictures | Connettore Connector | Cross OE | Alt. OE | Istruzioni Instructions |
|------------------|----------------|----------------------------------|------------------|-------------------------|----------|---------|----------------------------|
|------------------|----------------|----------------------------------|------------------|-------------------------|----------|---------|----------------------------|

806 (221) 4 D 1994 -> 2002

| | | | | | | | |
|---------|--|--|--|--|--|--|--|
| 30/2808 | | | | | 1488560080 9221F7 9221H5 | | |
| 30/2807 | | | | | 1488559080 9222F5 9222H3 | | |
| 30/856 | | | | | 922334 1462445080 1484120080 1488560080 | | |
| 30/855 | | | | | 922434 1462444080 1484119080 1488559080 | | |
| 30/275B | | | | | 922190 1470070080 1488307080 9221N8 | | |
| 30/275 | | | | | 922289 1470069080 1488306080 9222N7 | | |
| 30/1925 | | | | | 922333 922378 1484122080 92243 | | |
| 30/1924 | | | | | 922433 922454 922481 1484121080 | | |

807 (EB_) 4 D 2002 ->

| | | | | | | | |
|--------|--|--|--|--|----------------------|--|--|
| 30/926 | | | | | 1485312080 9221L4 | | |
| 30/925 | | | | | 1485311080 9222L2 | | |

BIPPER (AA_) 2 D 2008 ->

| | | | | | | | |
|---------|--|--|--|--|--|--|--|
| 30/278B | | | | | 52148373 1354725080 1368330080 1671331480 | | |
| 30/278 | | | | | 52148371 1354699090 1368828080 1671331580 | | |
| 30/1227 | | | | | | 1354726080* 1368331080* 1666090580* 52134009* | |
| 30/1226 | | | | | | 1354700080* 1368329080* 1656267580* 52134008* | |

| Modello Model | Porte Doors | Configurazione Configurations | Foto Pictures | Connettore Connector | Cross OE | Alt. OE | Istruzioni Instructions |
|------------------|----------------|----------------------------------|------------------|-------------------------|----------|---------|----------------------------|
|------------------|----------------|----------------------------------|------------------|-------------------------|----------|---------|----------------------------|

BOXER (230_) 2 D 1994 -> 2006

| | | | | | | | |
|---------|--|--|--|--|--|--|--|
| 30/745 | | | | | 922189 1313852080 1322758080 1341396080 | | |
| 30/744 | | | | | 1313851080 1322757080 1341395080 9222F0 | | |
| 30/181B | | | | | 1311036080 1320338080 9221F3 | | |
| 30/181 | | | | | 1311035080 1320337080 9222F1 | | |

BOXER (244_) 2 D 2001 ->


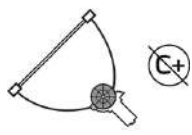




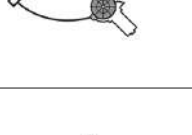







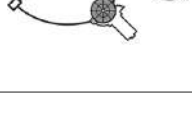



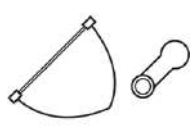







| | | | | | | | |
|--------|--|--|--|--|--|--|--|
| 30/745 | | | | | 922189 1313852080 1322758080 1341396080 | | |
| 30/744 | | | | | 1313851080 1322757080 1341395080 9222F0 | | |

BOXER (250_290_) 2 D 2006 ->


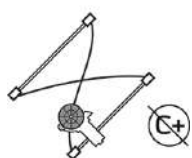




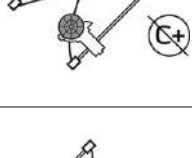



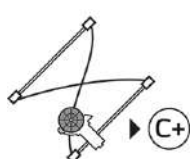








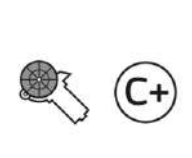




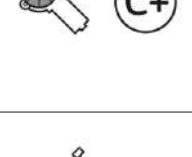



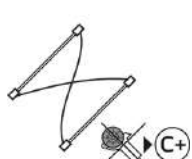




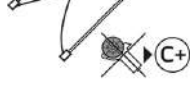


| | | | | | | | |
|----------|---------|--|--|--|--|--|--|
| 30/7043 | | | | | 922189 1313852080 1322758080 1341396080 | 1394449080* 68159239AB* 68267290AA* 68267290AB* | |
| 30/7044 | | | | | 1313851080 1322757080 1341395080 9222F0 | 166231580* 68159238AB* 68267289AA* 68267289AB* | |
| 30/1551B | | | | | 922189 1313852080 1322758080 1341396080 | 1368922080* 1607395480* 1607706980* 9221X7* | |
| 30/1550B | | | | | 922189 1313852080 1322758080 1341396080 | 1368921080* 1607395380* 68159238AB* 68267289AA* | |
| 30/986 | LHD | | | | 53183596 1340453080 1368043080 1368918080 | | |
| 30/985 | RHD | | | | 1606231580 1607707180 9222X6 68159238AB | | |
| 30/1229 | | | | | 922189 1313852080 1322758080 1341396080 | 1340453080* 1366564080* 1368043080* 1368918080* | |
| 30/1228 | | | | | 922189 1313852080 1322758080 1341396080 | 1340398080* 1358175080* 1366562080* 1368042080* | |

| Modello Model | Porte Doors | Configurazione Configurations | Foto Pictures | Connettore Connector | Cross OE | Alt. OE | Istruzioni Instructions |
|------------------|----------------|----------------------------------|------------------|-------------------------|----------|---------|----------------------------|
|------------------|----------------|----------------------------------|------------------|-------------------------|----------|---------|----------------------------|

EXPERT (224) 2 D 1995 -> 2006

| | | | | | | | |
|---------|---|--|--|---|--|--|---|
| 30/2808 |  |  |  |  | 1488560080 9221F7 9221H5 | |  |
| 30/2807 |  |  |  |  | 1488559080 9222F5 9222H3 | | |
| 30/856 |  |  |  |  | 922334 1462445080 1484120080 1488560080 | |  |
| 30/855 |  |  |  |  | 922434 1462444080 1484119080 1488559080 | | |
| 30/275B |  |  |  |  | 922190 1470070080 1488307080 9221N8 | |  |
| 30/275 |  |  |  |  | 922289 1470069080 1488306080 9222N7 | | |

EXPERT (VF3A_, VF3U_, VF3X_) 2 D 2007 ->











| | | | | | | | |
|----------|---|---|---|--|--|--|---|
| 30/1771 |  |  |  |  | 1440161480 1499438080 9222HF 9222 | |  |
| 30/1770 |  |  |  |  | 1440161480 1499438080 9222HF 9222Z4 | | |
| 30/1525C |  |  |  |  | 1440161380 1499439080 9221Z6 9221HG | |  |
| 30/1524C |  |  |  |  | 1440161580 1498743080 9222HE 9222Z5 | | |
| 30/2410 |  |  |  |  | 1499439080* 9221HE* 9221Z6* | |  |
| 30/2411 |  |  |  |  | 1498743080* 9222HE* 9222Z5* | | |
| 30/1525 |  |  |  |  | 1440161380* 1499439080* 9221HG* 9221Z6* | |  |
| 30/1524 |  |  |  |  | 1440161580* 1499438080* 9222HF* 9222Z4* | | |

| Modello Model | Porte Doors | Configurazione Configurations | Foto Pictures | Connettore Connector | Cross OE | Alt. OE | Istruzioni Instructions |
|------------------|----------------|----------------------------------|------------------|-------------------------|----------|---------|----------------------------|
|------------------|----------------|----------------------------------|------------------|-------------------------|----------|---------|----------------------------|

















EXPERT (V_) 2 D 2016 ->

| | | | | | | | |
|---------|---|---|--|--|--|--|---|
| 30/3106 |  |  |  <small>POWER WINDOW LEFT ALZACRISTALLI ELETTRICO SX</small> | | | 9806619480* 9840159480* 9829889780* 9808388580* |  |
| 30/3107 |  | | | | | 9806618780* 9840159380* 9829889680* 9808388480* | |

J5 (280_290_) 2 D 1981 -> 1994


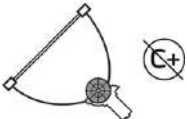




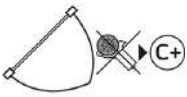




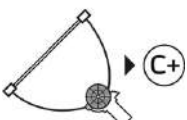



| | | | | | | | |
|---------|--|--|--|--|---------|--|--|
| 30/145B |  |  |  | | 4445609 | |  |
| 30/145 |  | | | | 4445608 | | |
| 30/178B |  |  |  | | 7672893 | |  |
| 30/178 |  | | | | 7672892 | | |

PARTNER I (5_, G_) 2 D 1996 -> 2008


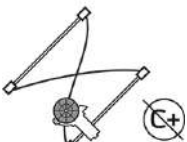





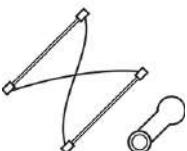




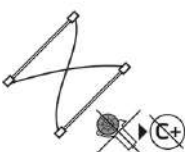



| | | | | | | | |
|---------|---|---|--|--|--------------------|---------|---|
| 30/886 |  |  |  <small>POWER WINDOW LEFT ALZACRISTALLI ELETTRICO SX</small> |  | 9221G3 9222ASG | |  |
| 30/885 |  | | | | 9222ASGM 9222G1 | | |
| 30/221B |  |  |  | | 9221A4 | |  |
| 30/221 |  | | | | 9222A4 | | |
| 30/1549 |  |  |  <small>POWER WINDOW LEFT ALZACRISTALLI ELETTRICO SX</small> | | | 9221G3* |  |
| 30/1548 |  | | | | | 9222G1* | |

| Modello Model | Porte Doors | Configurazione Configurations | Foto Pictures | Connettore Connector | Cross OE | Alt. OE | Istruzioni Instructions |
|------------------|----------------|----------------------------------|------------------|-------------------------|----------|---------|----------------------------|
|------------------|----------------|----------------------------------|------------------|-------------------------|----------|---------|----------------------------|


PARTNER II 2 D 2008 ->

| | | | | | | | |
|----------|-----|---|---|---|--|-----------------------------------|---|
| 30/1928 | LHD |  |  |  |  | 9222EQ |  |
| 30/1394 | |  |  |  | | 9221ES* 9221GE* 9802389280* |  |
| 30/1393 | |  | | | | 9222ER* 9222GC* 9802389180* | |
| 30/1929C | LHD |  |  |  |  | 9802389280 9221ES 9221GE |  |

RANCH I 2 D 1996 -> 2008

| | | | | | | | |
|---------|--|---|---|---|--|--------------------|---|
| 30/886 | |  |  |  |  | 9221G3 9222ASG |  |
| 30/885 | |  | | | | 9222ASGM 9222G1 | |
| 30/221B | |  |  |  | | 9221A4 |  |
| 30/221 | |  | | | | 9222A4 | |
| 30/1549 | |  |  |  | | 9221G3* |  |
| 30/1548 | |  | | | | 9222G1* | |

RANCH II 2 D 2008 ->

| | | | | | | | |
|---------|-----|---|---|---|--|--------|---|
| 30/1928 | LHD |  |  |  |  | 9222EQ |  |
|---------|-----|---|---|---|--|--------|---|

| Modello Model | Porte Doors | Configurazione Configurations | Foto Pictures | Connettore Connector | Cross OE | Alt. OE | Istruzioni Instructions |
|------------------|----------------|----------------------------------|------------------|-------------------------|----------|---------|----------------------------|
|------------------|----------------|----------------------------------|------------------|-------------------------|----------|---------|----------------------------|

RANCH II 2 D 2008 ->

| | | | | | | | |
|----------|---------|--|--|--|--------------------------------|-----------------------------------|--|
| 30/1394 | | | | | | 9221ES* 9221GE* 9802389280* | |
| 30/1393 | | | | | | 9222ER* 9222GC* 9802389180* | |
| 30/1929C | LHD | | | | 9802389280 9221ES 9221GE | | |

TRAVELLER (V_) 2 D 2016 ->

| | | | | | | | |
|---------|--|--|--|--|--|--|--|
| 30/3106 | | | | | | 9806619480* 9840159480* 9829889780* 9808388580* | |
| 30/3107 | | | | | | 9806618780* 9840159380* 9829889680* 9808388480* | |

| Modello Model | Porte Doors | Configurazione Configurations | Foto Pictures | Connettore Connector | Cross OE | Alt. OE | Istruzioni Instructions |
|------------------|----------------|----------------------------------|------------------|-------------------------|----------|---------|----------------------------|
|------------------|----------------|----------------------------------|------------------|-------------------------|----------|---------|----------------------------|

PORTER 2 D 1992 ->

| | | | | | | | |
|---------|--|--|--|--|------------|--|--|
| 30/2163 | | | | | | 698208760600 0* 857208760100 0* | |
| 30/2162 | | | | | | 698108760600 0* 857108760100 0* | |
| 30/215B | | | | | 6982087Z01 | | |
| 30/215 | | | | | 6981087Z01 | | |

QUARGO 2 D 2004 ->


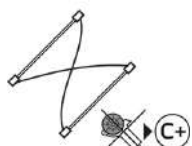





| | | | | | | | |
|---------|--|--|--|--|--|--|--|
| 30/2163 | | | | | | 698208760600 0* 857208760100 0* | |
| 30/2162 | | | | | | 698108760600 0* 857108760100 0* | |

| Modello Model | Porte Doors | Configurazione Configurations | Foto Pictures | Connettore Connector | Cross OE | Alt. OE | Istruzioni Instructions |
|------------------|----------------|----------------------------------|------------------|-------------------------|----------|---------|----------------------------|
|------------------|----------------|----------------------------------|------------------|-------------------------|----------|---------|----------------------------|

911 (996) 2 D 1997 -> 2005

| | | | | | | | |
|---------|---|---|--|--|----------------------------|--|---|
| 30/2261 |  |  |  <small>POWER WINDOW LEFT ALZACRISTALLI ELETTRICO SX</small> | | 99654207503 99654207504 | |  |
| 30/2260 |  |  |  <small>POWER WINDOW LEFT ALZACRISTALLI ELETTRICO SX</small> | | 99654207603 99654207604 | | |

911 (997) 2 D 2004 -> 2013

| | | | | | | | |
|---------|---|---|---|--|----------------------------|--|---|
| 30/2606 |  |  |  <small>POWER WINDOW LEFT ALZACRISTALLI ELETTRICO SX</small> | | 98754207501 98754207502 | |  |
| 30/2605 |  |  |  <small>POWER WINDOW LEFT ALZACRISTALLI ELETTRICO SX</small> | | 98754207601 98754207602 | | |

924 2 D 1975 -> 1989

| | | | | | | | |
|---------|---|---|--|--|--|--|--|
| 30/2340 |  |  |  <small>POWER WINDOW LEFT ALZACRISTALLI ELETTRICO SX</small> |  | | 477837391* 477837391C* 47787391B* 477959123A* |  |
| 30/2339 |  |  |  <small>POWER WINDOW LEFT ALZACRISTALLI ELETTRICO SX</small> |  | | 477837392B* 477837392C* 47787392* 477937392C* | |

944 2 D 1981 -> 1991

| | | | | | | | |
|---------|---|---|--|--|--|--|---|
| 30/2340 |  |  |  <small>POWER WINDOW LEFT ALZACRISTALLI ELETTRICO SX</small> |  | | 477837391* 477837391C* 47787391B* 477959123A* |  |
| 30/2339 |  |  |  <small>POWER WINDOW LEFT ALZACRISTALLI ELETTRICO SX</small> |  | | 477837392B* 477837392C* 47787392* 477937392C* | |

BOXSTER (986) 2 D 1996 -> 2004


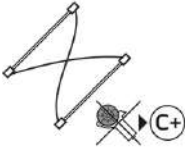



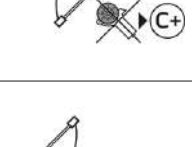


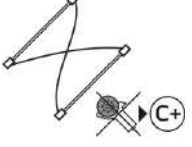





| | | | | | | | |
|---------|---|---|--|--|----------------------------|--|---|
| 30/2261 |  |  |  <small>POWER WINDOW LEFT ALZACRISTALLI ELETTRICO SX</small> | | 99654207503 99654207504 | |  |
| 30/2260 |  |  |  <small>POWER WINDOW LEFT ALZACRISTALLI ELETTRICO SX</small> | | 99654207603 99654207604 | | |

BOXSTER (987) 2 D 2004 -> 2013

| | | | | | | | |
|---------|---|---|--|--|----------------------------|--|---|
| 30/2606 |  |  |  <small>POWER WINDOW LEFT ALZACRISTALLI ELETTRICO SX</small> | | 98754207501 98754207502 | |  |
| 30/2605 |  |  |  <small>POWER WINDOW LEFT ALZACRISTALLI ELETTRICO SX</small> | | 98754207601 98754207602 | | |

| Modello Model | Porte Doors | Configurazione Configurations | Foto Pictures | Connettore Connector | Cross OE | Alt. OE | Istruzioni Instructions |
|------------------|----------------|----------------------------------|------------------|-------------------------|----------|---------|----------------------------|
|------------------|----------------|----------------------------------|------------------|-------------------------|----------|---------|----------------------------|

CAYENNE (9PA) 4 D 2002 -> 2010

| | | | | | | | |
|---------|---|---|--|--|--|--|---|
| 30/1418 |  |  |  A POWER WINDOW LEFT ALZACRISTALLI ELETTRICO SX | | 95554246100 95554246101 95554246102 95554246103 | |  |
| 30/1417 |  |  |  POWER WINDOW LEFT ALZACRISTALLI ELETTRICO SX | | 95554246200 95554246201 95554246202 95554246203 | | |
| 30/2181 |  |  |  POWER WINDOW LEFT ALZACRISTALLI ELETTRICO SX | | 95553346100 95553346101 95553346102 95553346103 | |  |
| 30/2180 |  |  |  POWER WINDOW LEFT ALZACRISTALLI ELETTRICO SX | | 95553346200 95553346201 95553346202 95553346203 | | |

CAYMAN (987) 2 D 2005 -> 2013

| | | | | | | | |
|---------|--|---|---|--|----------------------------|--|--|
| 30/2606 |  |  |  POWER WINDOW LEFT ALZACRISTALLI ELETTRICO SX | | 98754207501 98754207502 | |  |
| 30/2605 |  |  |  POWER WINDOW LEFT ALZACRISTALLI ELETTRICO SX | | 98754207601 98754207602 | | |

| Modello Model | Porte Doors | Configurazione Configurations | Foto Pictures | Connettore Connector | Cross OE | Alt. OE | Istruzioni Instructions |
|------------------|----------------|----------------------------------|------------------|-------------------------|----------|---------|----------------------------|
|------------------|----------------|----------------------------------|------------------|-------------------------|----------|---------|----------------------------|

CAPTUR I (J5_, H5_) 4 D 2013 ->

| | | | | | | | |
|---------|--|--|--|--|--|----------------------------|--|
| 30/1985 | | | | | | 807016525R* 807019225R* | |
| 30/1984 | | | | | | 807001363R* 807200713R* | |
| 30/1987 | | | | | | 827012973R* | |
| 30/1986 | | | | | | 827009380R* | |

CLIO I (B/C57_, 5/357_) 2 D 1990 -> 1999

| | | | | | | | |
|--------|--|--|--|--|------------|--|--|
| 30/784 | | | | | 7700802026 | | |
| 30/783 | | | | | 7700802027 | | |

CLIO I (B/C57_, 5/357_) 4 D 1990 -> 1999

| | | | | | | | |
|--------|--|--|--|--|--------------------------|--|--|
| 30/786 | | | | | 7700798817 7700799475 | | |
| 30/785 | | | | | 7700798818 7700799476 | | |

CLIO II (BB_, CB_) 2 D 1998 -> 2005


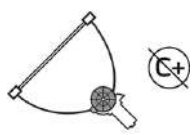









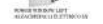
| | | | | | | | |
|---------|--|--|--|--|------------|--|--|
| 30/2818 | | | | | 7700842247 | | |
| 30/2817 | | | | | 7700842246 | | |
| 30/890 | | | | | 7700842247 | | |
| 30/889 | | | | | 7700842246 | | |

| Modello Model | Porte Doors | Configurazione Configurations | Foto Pictures | Connettore Connector | Cross OE | Alt. OE | Istruzioni Instructions |
|------------------|----------------|----------------------------------|------------------|-------------------------|----------|---------|----------------------------|
|------------------|----------------|----------------------------------|------------------|-------------------------|----------|---------|----------------------------|


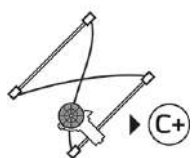




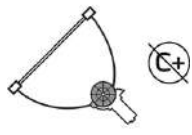





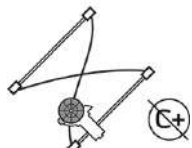












CLIO II (BB_, CB_) 2 D 1998 -> 2005

| | | | | | | | |
|---------|---|---|---|--|------------|--|---|
| 30/256B |  |  |  | | 7700842245 | |  |
| 30/256 |  | | | | 7700842244 | | |

CLIO II (BB_, CB_) 4 D 1998 -> 2005


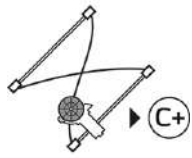




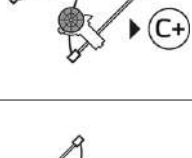


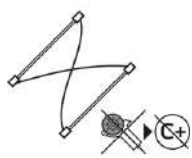





| | | | | | | | |
|---------|--|--|---|---|--------------------------|--|--|
| 30/892 |  |  |  |  | 7700842241 7701207255 | |  |
| 30/891 |  | |  | | 7700842240 7701207254 | | |
| 30/1717 |  |  |  |  | 8200232508 | |  |
| 30/1716 |  | |  | | 8200232509 | | |

CLIO III (BR0/1, CR0/1) 2 D 2005 -> 2014


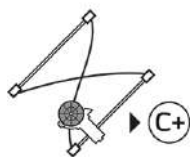




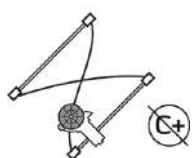



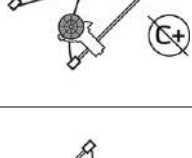




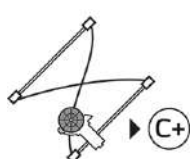



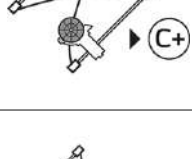




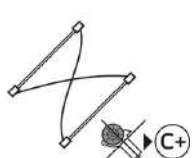


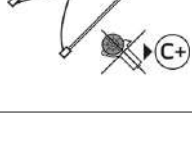



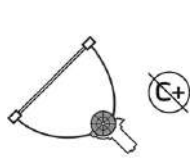







| | | | | | | | |
|----------|---|---|---|--|--------------------------|----------------------------|---|
| 30/1435C |  |  |  |  | 8200297447 8200826173 | |  |
| 30/2818 |  |  |  |  | 7700842247 | |  |
| 30/2817 |  | | | | 7700842246 | | |
| 30/1715 |  |  |  |  | 8200297443 8200826167 | |  |
| 30/1714 |  | |  | | 8200297444 8200826165 | | |
| 30/2400 |  |  |  |  | | 8200297445* 8200826169* |  |
| 30/2401 |  | |  | | | 8200297447* 8200826173* | |

| Modello Model | Porte Doors | Configurazione Configurations | Foto Pictures | Connettore Connector | Cross OE | Alt. OE | Istruzioni Instructions |
|------------------|----------------|----------------------------------|------------------|-------------------------|----------|---------|----------------------------|
|------------------|----------------|----------------------------------|------------------|-------------------------|----------|---------|----------------------------|

CLIO III (BR0/1, CR0/1) 2 D 2005 -> 2014

| | | | | | | | |
|---------|---|---|--|--|--------------------------|-------------|---|
| 30/3078 |  |  |  <small>POWER WINDOW LEFT ALZACRISTALLI ELETTRICO SX</small> |  | 8200297445 8200826169 | |  |
| 30/3079 |  |  |  <small>POWER WINDOW LEFT ALZACRISTALLI ELETTRICO SX</small> | | 8200297447 8200826173 | | |
| 30/1436 |  |  |  <small>POWER WINDOW LEFT ALZACRISTALLI ELETTRICO SX</small> | | | 8200826167* |  |
| 30/1435 |  |  |  <small>POWER WINDOW LEFT ALZACRISTALLI ELETTRICO SX</small> | | | 8200826165* | |

CLIO III (BR0/1, CR0/1) 4 D 2005 -> 2014


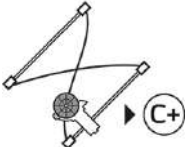




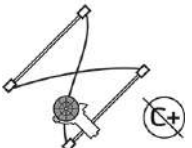





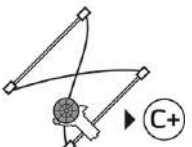





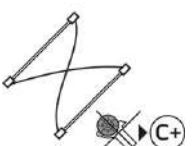




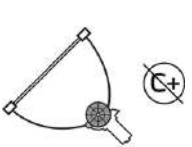




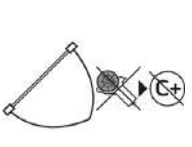



| | | | | | | | |
|----------|---|---|--|--|---------------------------------------|--|---|
| 30/1405C |  |  |  <small>POWER WINDOW LEFT ALZACRISTALLI ELETTRICO SX</small> |  | 820029115 8200291150 8200843597 | |  |
| 30/1719 |  |  |  <small>POWER WINDOW LEFT ALZACRISTALLI ELETTRICO SX</small> |  | 8200291145 | | |
| 30/1718 |  |  |  <small>POWER WINDOW LEFT ALZACRISTALLI ELETTRICO SX</small> |  | 8200291147 | |  |
| 30/3082 |  |  |  <small>POWER WINDOW LEFT ALZACRISTALLI ELETTRICO SX</small> |  | 820029114 8200291148 8200843592 | | |
| 30/3083 |  |  |  <small>POWER WINDOW LEFT ALZACRISTALLI ELETTRICO SX</small> |  | 820029115 8200291150 8200843597 | |  |
| 30/1406 |  |  |  <small>POWER WINDOW LEFT ALZACRISTALLI ELETTRICO SX</small> | | | 820029114* 8200291148* 8200843592* | |
| 30/1405 |  |  |  <small>POWER WINDOW LEFT ALZACRISTALLI ELETTRICO SX</small> | | | 820029115* 8200291150* 8200843597* |  |
| 30/1388 |  |  |  <small>POWER WINDOW LEFT ALZACRISTALLI ELETTRICO SX</small> |  | 8200291151 | | |
| 30/1387 |  |  |  <small>POWER WINDOW LEFT ALZACRISTALLI ELETTRICO SX</small> |  | 8200291153 | |  |

| Modello Model | Porte Doors | Configurazione Configurations | Foto Pictures | Connettore Connector | Cross OE | Alt. OE | Istruzioni Instructions |
|------------------|----------------|----------------------------------|------------------|-------------------------|----------|---------|----------------------------|
|------------------|----------------|----------------------------------|------------------|-------------------------|----------|---------|----------------------------|

CLIO III (BR0/1, CR0/1) 4 D 2005 -> 2014


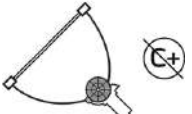





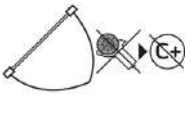



| | | | | | | | |
|---------|---|---|---|--|--|-------------|---|
| 30/1390 |  |  |  | | | 8200291151* |  |
| 30/1389 |  | | | | | 8200291153* | |

CLIO III GRANDTOUR (KR0/1_) 4 D 2007 ->


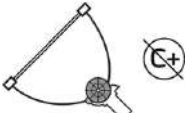





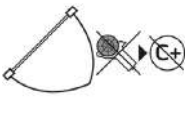



| | | | | | | | |
|----------|---|---|--|--|--|-------------|---|
| 30/1405C |  |  |  <small>POWER WINDOW LEFT ALZACRISTALLI ELETTRICO SX</small> |  | 820029115 8200291150 8200843597 | |  |
| 30/1719 |  |  |  <small>POWER WINDOW LEFT ALZACRISTALLI ELETTRICO SX</small> |  | 8200291145 | |  |
| 30/1718 |  | | | | 8200291147 | | |
| 30/3082 |  |  |  <small>POWER WINDOW LEFT ALZACRISTALLI ELETTRICO SX</small> |  | 820029114 8200291148 8200843592 | |  |
| 30/3083 |  | | | | 820029115 8200291150 8200843597 | | |
| 30/1406 |  |  |  <small>POWER WINDOW LEFT ALZACRISTALLI ELETTRICO SX</small> | | 820029114* 8200291148* 8200843592* | |  |
| 30/1405 |  | | | | 820029115* 8200291150* 8200843597* | | |
| 30/1388 |  |  |  | | 8200291151 | |  |
| 30/1387 |  | | | | 8200291153 | | |
| 30/1390 |  |  |  | | | 8200291151* |  |
| 30/1389 |  | | | | | 8200291153* | |

| Modello Model | Porte Doors | Configurazione Configurations | Foto Pictures | Connettore Connector | Cross OE | Alt. OE | Istruzioni Instructions |
|------------------|----------------|----------------------------------|------------------|-------------------------|----------|---------|----------------------------|
|------------------|----------------|----------------------------------|------------------|-------------------------|----------|---------|----------------------------|

CLIO IV (BH_) 4 D 2012 -> 2021

| | | | | | | | |
|---------|---|---|---|--|------------|-------------|---|
| 30/1877 |  |  |  |  | 807213867R | |  |
| 30/1876 |  | | | | 807205569R | | |
| 30/1893 |  |  |  | | | 807213867R* |  |
| 30/1892 |  | | | | | 807205569R* | |

CLIO IV GRANDTOUR (KH_) 4 D 2001 -> 2021

| | | | | | | | |
|---------|---|---|---|---|------------|-------------|---|
| 30/1877 |  |  |  |  | 807213867R | |  |
| 30/1876 |  | | | | 807205569R | | |
| 30/1893 |  |  |  | | | 807213867R* |  |
| 30/1892 |  | | | | | 807205569R* | |

ESPACE II (J/S63_) 4 D 1991 -> 1997

| | | | | | | | |
|---------|---|---|---|--|------------|--|---|
| 30/7302 |  |  |  |  | 6025171025 | |  |
| 30/7303 |  | | | | 6025171024 | | |

ESPACE III (JE0_) 4 D 1996 -> 2002


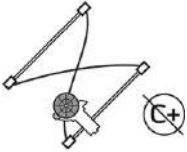





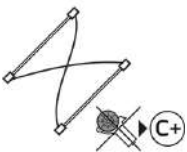




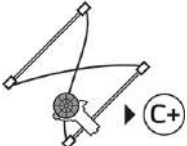




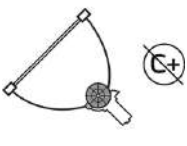











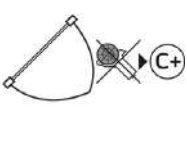



| | | | | | | | |
|---------|---|---|---|--|------------|--|---|
| 30/7304 |  |  |  |  | 6025300975 | |  |
| 30/7305 |  | | | | 6025300976 | | |

| Modello Model | Porte Doors | Configurazione Configurations | Foto Pictures | Connettore Connector | Cross OE | Alt. OE | Istruzioni Instructions |
|------------------|----------------|----------------------------------|------------------|-------------------------|----------|---------|----------------------------|
|------------------|----------------|----------------------------------|------------------|-------------------------|----------|---------|----------------------------|

SPACE III (JE0_) 4 D 1996 -> 2002

| | | | | | | | |
|---------|---|---|---|--|------------|--|---|
| 30/7306 |  |  |  <small>ELECTRIC POWER WINDOW LEFT ALZACRISTALLI ELETTRICO SX</small> |  | 6025300811 | |  |
| 30/7307 |  | | | | 6025300810 | | |

SPACE IV (JK0/1_) 4 D 2002 ->

| | | | | | | | |
|---------|---|---|---|--|--|---|---|
| 30/2832 |  |  |  |  | 8200485229 8200017907 | |  |
| 30/2831 |  | | | | 8200485230 8200017908 | | |
| 30/1725 |  |  |  | | | 8200017893* 8200017903* 8200424423* |  |
| 30/1724 |  | | | | | 8200017894* 8200017904* 8200424422* | |
| 30/2547 |  |  |  |  | 8200017893 8200017903 8200424423 | |  |
| 30/2521 |  |  |  |  | 8200017909 8200485232 82000179 | | |
| 30/2520 |  | | | | 820001791 8200017910 8200485233 | |  |
| 30/2399 |  |  |  |  | | 8200017905* 8200305724* 8200017906 | |
| 30/2398 |  | | | | | 8200017906* 8200305725* 8201264472* |  |
| 30/7308 |  |  |  | | | 8200017905* 8200305724* 8200017906 | |
| 30/7309 |  | | | | | 8200017906* 8200305725* 8201264472* |  |

| Modello Model | Porte Doors | Configurazione Configurations | Foto Pictures | Connettore Connector | Cross OE | Alt. OE | Istruzioni Instructions |
|------------------|----------------|----------------------------------|------------------|-------------------------|----------|---------|----------------------------|
|------------------|----------------|----------------------------------|------------------|-------------------------|----------|---------|----------------------------|

SPACE V (JR_) 4 D 2015 -> 2023


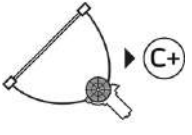





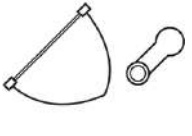





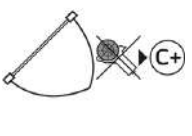



| | | | | | | | |
|---------|--|--|--|--|------------|--|--|
| 30/2866 | | | | | 807216427R | | |
| 30/2865 | | | | | 807209969R | | |
| 30/2864 | | | | | 827210154R | | |
| 30/2863 | | | | | 827204540R | | |

GRAND SCÉNIC II (JM0/1_) 4 D 2004 -> 2009


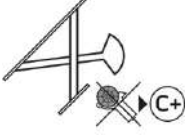




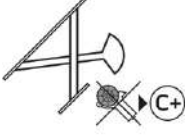



| | | | | | | | |
|-----------|--|--|--|--|--|--|--|
| 30/2529 | | | | | 820062876 8200118785 8200478613 8200628769 | | |
| 30/2528 | | | | | 820062875 8200118784 8200478611 8200628752 | | |
| 30/2414 | | | | | | 8200118777* 8200628747* 8200646839* 8201010937* | |
| 30/2415 | | | | | | 8200118775* 8200628749* 8200646838* 8201010936* | |
| 30/1016CK | | | | | 8200118777 8200628747 8200646839 8201010937 | | |
| 30/1015CK | | | | | 8200118775 8200628749 8200646838 8201010936 | | |
| 30/1030 | | | | | | 8200118777* 8200628747* 8200646839* 8201010937* | |
| 30/1029 | | | | | | 8200118775* 8200628749* 8200646838* 8201010936* | |
| 30/2417 | | | | | | 8200118856* 8200634738* 8200646837* 8201010935* | |
| 30/2416 | | | | | | 8200118857* 8200634737* 8200646836* 8201010934* | |

| Modello Model | Porte Doors | Configurazione Configurations | Foto Pictures | Connettore Connector | Cross OE | Alt. OE | Istruzioni Instructions |
|------------------|----------------|----------------------------------|------------------|-------------------------|----------|---------|----------------------------|
|------------------|----------------|----------------------------------|------------------|-------------------------|----------|---------|----------------------------|


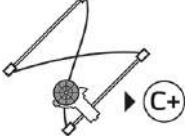






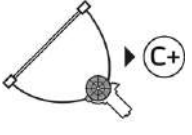





GRAND SCÉNIC II (JM0/1_) 4 D 2004 -> 2009

| | | | | | | | |
|-----------|--|---|--|--|--|--|--|
| 30/1018CK |  |  |  |  | 8200118856 8200634738 8200646837 8201010935 | |  |
| 30/1017CK |  | | | | 8200118857 8200634737 8200646836 8201010934 | | |
| 30/258B |  |  |  |  | 8200118855 8200636812 | |  |
| 30/258 |  | | | | 8200118854 8200636810 | | |
| 30/1048 |  |  |  | | 8200118856* 8200634738* 8200646837* 8201010935* | |  |
| 30/1047 |  | | | | 8200118857* 8200634737* 8200646836* 8201010934* | | |

GRAND SCÉNIC III (JZ0/1_) 4 D 2009 -> 2016

| | | | | | | | |
|---------|---|---|---|--|---------------------------------------|--|---|
| 30/1721 |  |  |  | | 807210007 807210007R 807212569R | |  |
| 30/1720 |  | | | | 807200007 807200007R 807205115R | | |
| 30/1723 |  |  |  | | 827210006R 827216769R | |  |
| 30/1722 |  | | | | 827200006R 827208148R | | |

GRAND SCÉNIC IV (R9_) 4 D 2016 -> 2023


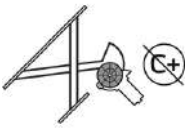





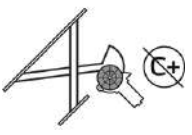





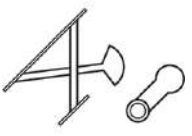




| | | | | | | | |
|---------|---|---|---|---|--|------------|---|
| 30/2870 |  |  |  |  |  | 807214665R |  |
| 30/2869 |  | | | | | 807200294R | |
| 30/2868 |  |  |  |  |  | 827213658R |  |
| 30/2867 |  | | | | | 827201983R | |

| Modello Model | Porte Doors | Configurazione Configurations | Foto Pictures | Connettore Connector | Cross OE | Alt. OE | Istruzioni Instructions |
|------------------|----------------|----------------------------------|------------------|-------------------------|----------|---------|----------------------------|
|------------------|----------------|----------------------------------|------------------|-------------------------|----------|---------|----------------------------|

KADJAR (HA_,HL_) 4 D 2015 ->

| | | | | | | | |
|---------|-----|--|---|--|--|--|--|
| 30/7250 | RHD |  |  |  |  | 807014EA0B 807014EA0D 807004EA0B 807004EA0D |  |
| 30/7249 | LHD |  |  |  |  | 807004EA0B 807004EA0D 807004EA1D 807004EA3D | |
| 30/2089 | LHD |  |  |  |  | 807014EA3C* 807217052R* 807218568R* 807218884R* |  |
| 30/2088 | RHD |  | | | | 807004EA0A* 807004EA0C* 807205433R* 807206317R* | |
| 30/7251 | |  |  |  |  | 827014EA0A |  |
| 30/7252 | |  | | | | 827004EA0A | |

KANGOO (FC0/1_) 2 D 1997 ->


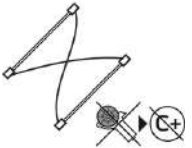


| | | | | | | | |
|---------|--|---|---|---|--|--|---|
| 30/2830 | |  |  |  |  | 8200188553 |  |
| 30/2829 | |  | | | | 8200188551 | |
| 30/1495 | |  |  |  |  | 7700303543 8200188553 8070100QAN |  |
| 30/1494 | |  | | | | 7700303553 8200188551 8070000QAN | |
| 30/257B | |  |  |  |  | 8200155793 |  |
| 30/257 | |  | | | | 8200157006 | |

KANGOO / GRAND KANGOO II (KW0/1_) 4 D 2008 ->


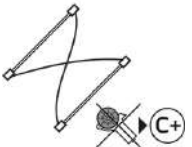




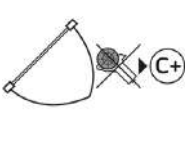



| | | | | | | | |
|---------|--|---|---|---|--|---|---|
| 30/1537 | |  |  |  |  | 807212230 807212230R 807213441R 8200497568 |  |
| 30/1536 | |  | | | | 807209565 807209565R 807207012R 8200497601 | |

| Modello Model | Porte Doors | Configurazione Configurations | Foto Pictures | Connettore Connector | Cross OE | Alt. OE | Istruzioni Instructions |
|------------------|----------------|----------------------------------|------------------|-------------------------|----------|---------|----------------------------|
|------------------|----------------|----------------------------------|------------------|-------------------------|----------|---------|----------------------------|


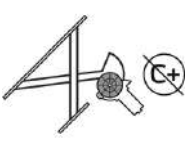




KANGOO / GRAND KANGOO II (KW0/1_) 4 D 2008 ->

| | | | | | | | |
|---------|---|---|--|--|--|---|---|
| 30/2091 |  |  |  <small>POWER WINDOW LEFT ALZACRISTALLI ELETTRICI SX</small> | | | 807212230* 807212230R* 807213441R* 8200497568* |  |
| 30/2090 |  | | | | | 807207012R* 807209565* 807209565R* 8200497601* | |


KOLEOS I (HY_) 4 D 2008 ->

| | | | | | | | |
|---------|---|--|---|--|--|---------------------------------------|--|
| 30/1727 |  |  |  <small>POWER WINDOW LEFT ALZACRISTALLI ELETTRICI SX</small> | | | 807219093R 80721JY00 80721JY00B |  |
| 30/1726 |  | | | | | 807207736R 80720JY00 80720JY00B | |
| 30/1729 |  |  |  <small>POWER WINDOW LEFT ALZACRISTALLI ELETTRICI SX</small> | | | 827214390R 82721JY00A |  |
| 30/1728 |  | | | | | 827207007R 82720JY00A | |


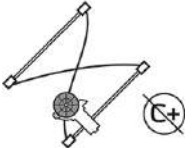




LAGUNA I (B56_, 556_) 4 D 1993 -> 2002

| | | | | | | | |
|---------|---|---|--|--|--|---|---|
| 30/7310 |  |  |  <small>POWER WINDOW LEFT ALZACRISTALLI ELETTRICI SX</small> |  | | 7701039845* 7701367867* 7701470851* |  |
| 30/7311 |  | | | | | 7701039846* 7701367866* 7701470852* | |

LAGUNA I GRANDTOUR (K56_) 4 D 1995 -> 2002


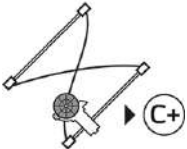





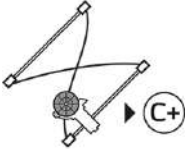





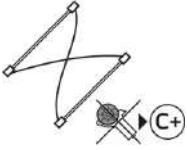




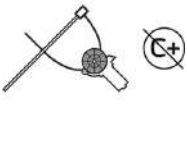





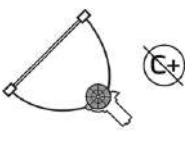





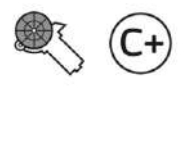





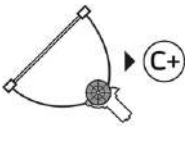




| | | | | | | | |
|---------|---|---|--|--|--|---|---|
| 30/7310 |  |  |  <small>POWER WINDOW LEFT ALZACRISTALLI ELETTRICI SX</small> |  | | 7701039845* 7701367867* 7701470851* |  |
| 30/7311 |  | | | | | 7701039846* 7701367866* 7701470852* | |

LAGUNA II (BG0/1_) 4 D 2001 -> 2007

| | | | | | | | |
|---------|---|---|--|--|--|--|---|
| 30/1547 |  |  |  <small>POWER WINDOW LEFT ALZACRISTALLI ELETTRICI SX</small> |  | | 8200000937 8200000556 820048519 |  |
| 30/1546 |  | | | | | 8200000556 8200485195 8200000938 | |


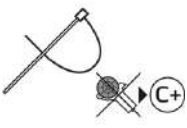



| Modello Model | Porte Doors | Configurazione Configurations | Foto Pictures | Connettore Connector | Cross OE | Alt. OE | Istruzioni Instructions |
|------------------|----------------|----------------------------------|------------------|-------------------------|----------|---------|----------------------------|
|------------------|----------------|----------------------------------|------------------|-------------------------|----------|---------|----------------------------|

LAGUNA II (BG0/1_) 4 D 2001 -> 2007


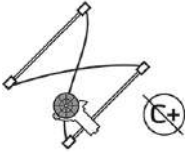






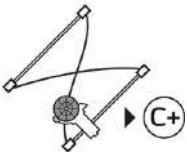





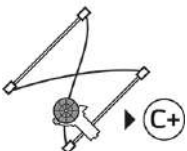






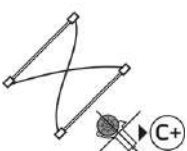



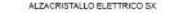

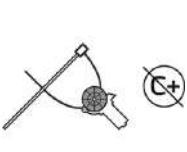





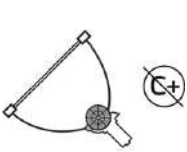





| | | | | | | | |
|----------|---|---|---|--|---|--|---|
| 30/2549 |  |  |  |  | | |  |
| 30/2548 |  | | | | | | |
| 30/1044C |  |  |  |  | | |  |
| 30/1043C |  | | <small>POWER WINDOW LEFT ALZACRISTALLO ELETTRICO SX</small> | | | | |
| 30/1046 |  |  |  | | | 8200007659* 8200722832* 8200000556* 8200007660 |  |
| 30/1045 |  | | <small>POWER WINDOW LEFT ALZACRISTALLO ELETTRICO SX</small> | | | 8200000556* 8200007660* 8200485195* 8200722834* | |
| 30/2820 |  |  |  |  | 8200000557 8200485201 | |  |
| 30/2819 |  | | | | 8200000558 8200485202 | | |
| 30/1366 |  |  |  |  | 8200000557 8200485201 | |  |
| 30/1365 |  | | <small>POWER WINDOW LEFT ALZACRISTALLO ELETTRICO SX</small> | | 8200000558 8200485202 | | |
| 30/2397 |  |  |  |  | | 8200008329* 8200305720* 8201264452* |  |
| 30/2396 |  | | <small>POWER WINDOW LEFT ALZACRISTALLO ELETTRICO SX</small> | | 8200008330* 8200305721* 8201264454* | | |
| 30/1376C |  |  |  |  | 8200008329 8200305720 8201264452 | |  |
| 30/1375C |  | | <small>POWER WINDOW LEFT ALZACRISTALLO ELETTRICO SX</small> | | 8200008330 8200305721 8201264454 | | |

| Modello Model | Porte Doors | Configurazione Configurations | Foto Pictures | Connettore Connector | Cross OE | Alt. OE | Istruzioni Instructions |
|------------------|----------------|----------------------------------|------------------|-------------------------|----------|---------|----------------------------|
|------------------|----------------|----------------------------------|------------------|-------------------------|----------|---------|----------------------------|

LAGUNA II (BG0/1_) 4 D 2001 -> 2007

| | | | | | | | |
|---------|---|---|---|--|--|----------------------------|---|
| 30/1376 |  |  |  | | | 8200305720* 8201264452* |  |
| 30/1375 |  | | | | | 8200008330* 8201264454* | |

LAGUNA II GRANDTOUR (KG0/1_) 4 D 2001 -> 2007

| | | | | | | | |
|----------|---|---|---|--|--|--|---|
| 30/1547 |  |  |  |  | 8200000937 8200000556 820048519 | |  |
| 30/1546 |  | |  | | 8200000556 8200485195 8200000938 | | |
| 30/2549 |  |  |  |  | | |  |
| 30/2548 |  | | | | | | |
| 30/1044C |  |  |  |  | | |  |
| 30/1043C |  | |  | | | | |
| 30/1046 |  |  |  | | 8200007659* 8200722832* 8200000556* 8200007660 | |  |
| 30/1045 |  | |  | | 8200000556* 8200007660* 8200485195* 8200722834* | | |
| 30/2820 |  |  |  |  | 8200000557 8200485201 | |  |
| 30/2819 |  | | | | 8200000558 8200485202 | | |
| 30/1366 |  |  |  |  | 8200000557 8200485201 | |  |
| 30/1365 |  | |  | | 8200000558 8200485202 | | |

| Modello Model | Porte Doors | Configurazione Configurations | Foto Pictures | Connettore Connector | Cross OE | Alt. OE | Istruzioni Instructions |
|------------------|----------------|----------------------------------|------------------|-------------------------|----------|---------|----------------------------|
|------------------|----------------|----------------------------------|------------------|-------------------------|----------|---------|----------------------------|

LAGUNA II GRANDTOUR (KG0/1_) 4 D 2001 -> 2007

| | | | | | | | |
|----------|--|--|--|--|--|---|--|
| 30/2397 | | | | | | 8200008329* 8200305720* 8201264452* | |
| 30/2396 | | | | | | 8200008330* 8200305721* 8201264454* | |
| 30/1376C | | | | | 8200008329 8200305720 8201264452 | | |
| 30/1375C | | | | | 8200008330 8200305721 8201264454 | | |
| 30/1376 | | | | | | 8200305720* 8201264452* | |
| 30/1375 | | | | | | 8200008330* 8201264454* | |

LAGUNA III (BT0/1) 4 D 2007 -> 2015






| | | | | | | | |
|---------|--|--|--|--|------------|--|--|
| 30/1501 | | | | | 807010002R | | |
| 30/1500 | | | | | 807000002R | | |
| 30/1392 | | | | | 827010001R | | |
| 30/1391 | | | | | 827000001R | | |

LAGUNA III GRANDTOUR (KT0/1) 4 D 2007 -> 2015

| | | | | | | | |
|---------|--|--|--|--|------------|--|--|
| 30/1501 | | | | | 807010002R | | |
| 30/1500 | | | | | 807000002R | | |
| 30/1392 | | | | | 827010001R | | |
| 30/1391 | | | | | 827000001R | | |

| Modello Model | Porte Doors | Configurazione Configurations | Foto Pictures | Connettore Connector | Cross OE | Alt. OE | Istruzioni Instructions |
|------------------|----------------|----------------------------------|------------------|-------------------------|----------|---------|----------------------------|
|------------------|----------------|----------------------------------|------------------|-------------------------|----------|---------|----------------------------|

MASCOTT (FH_, UH_, HH_) 2 D 1999 -> 2005

| | | | | | | | |
|----------|---|---|--|--|---|--|---|
| 30/3016 |  |  |  <small>POWER WINDOW LEFT ALZACRISTALLI ELETTRICO SX</small> |  | 4416295 93186237 8200162708 504173868 | |  |
| 30/3015 |  | | | | 93186238 8200162710 504173866 5801482026 | | |
| 30/1006C |  |  |  <small>POWER WINDOW LEFT ALZACRISTALLI ELETTRICO SX</small> |  | 42565949 42574134 504335520 504356352 | |  |
| 30/1005C |  | | | | 42565948 42574133 42574135 504335512 | | |
| 30/208B |  |  |  | | 2997184 4401254 4500490 9160790 | |  |
| 30/208 |  | | | | 2997183 4401257 4500491 9160791 | | |
| 30/1671 |  |  |  <small>POWER WINDOW LEFT ALZACRISTALLI ELETTRICO SX</small> | | | 42565949* 42574134* 504335520* 504356352* |  |
| 30/1670 |  | | | | | 43574133* 42565948* 42574133* 42574135* | |
| 30/1793 |  |  |  <small>POWER WINDOW LEFT ALZACRISTALLI ELETTRICO SX</small> | | | 4416295* 5801529324* 5801901053* 8200162708* |  |
| 30/1792 |  | | | | | 5801528511* 5801901052* 8200162710* 93186238* | |

MASTER II (JD) 2 D 1997 -> 2013

| | | | | | | | |
|---------|---|---|--|--|---|--|---|
| 30/2822 |  |  |  |  | 8200467971 | |  |
| 30/2821 |  | | | | 8200467967 | | |
| 30/3016 |  |  |  <small>POWER WINDOW LEFT ALZACRISTALLI ELETTRICO SX</small> |  | 4416295 93186237 8200162708 504173868 | |  |
| 30/3015 |  | | | | 93186238 8200162710 504173866 5801482026 | | |

| Modello Model | Porte Doors | Configurazione Configurations | Foto Pictures | Connettore Connector | Cross OE | Alt. OE | Istruzioni Instructions |
|------------------|----------------|----------------------------------|------------------|-------------------------|----------|---------|----------------------------|
|------------------|----------------|----------------------------------|------------------|-------------------------|----------|---------|----------------------------|

MASTER II (JD) 2 D 1997 -> 2013

| | | | | | | | |
|----------|--|--|--|--|--|--|--|
| 30/1006 | | | | | 2997194 4856064 99485358 7700352494 | | |
| 30/1005 | | | | | 2997193 4856063 99485357 7700352495 | | |
| 30/1006C | | | | | 42565949 42574134 504335520 504356352 | | |
| 30/1005C | | | | | 42565948 42574133 42574135 504335512 | | |
| 30/276B | | | | | 7700351293 7700352490 | | |
| 30/276 | | | | | 7700351294 7700352491 | | |
| 30/208B | | | | | 2997184 4401254 4500490 9160790 | | |
| 30/208 | | | | | 2997183 4401257 4500491 9160791 | | |
| 30/1671 | | | | | | 42565949* 42574134* 504335520* 504356352* | |
| 30/1670 | | | | | | 43574133* 42565948* 42574133* 42574135* | |
| 30/1793 | | | | | | 4416295* 5801529324* 5801901053* 8200162708* | |
| 30/1792 | | | | | | 5801528511* 5801901052* 8200162710* 93186238* | |

MASTER III (JV) 2 D 2011 -> 2013

| | | | | | | | |
|---------|--|--|--|--|--|---|--|
| 30/1983 | | | | | | 4420302* 8070100Q0H* 807210008R* 93167945* | |
| 30/1982 | | | | | | 4420303* 8070000Q0H* 807200008R* 93167946* | |

| Modello Model | Porte Doors | Configurazione Configurations | Foto Pictures | Connettore Connector | Cross OE | Alt. OE | Istruzioni Instructions |
|------------------|----------------|----------------------------------|------------------|-------------------------|----------|---------|----------------------------|
|------------------|----------------|----------------------------------|------------------|-------------------------|----------|---------|----------------------------|

MEGANE I (BA0/1_) 4 D 1995 -> 2004

| | | | | | | | |
|--------|---|---|---|--|------------|--|---|
| 30/910 |  |  |  |  | 7700834347 | |  |
| 30/909 |  | | | | 7700834346 | | |
| 30/974 |  |  |  |  | 7700834343 | |  |
| 30/973 |  | | | | 7700834342 | | |

MEGANE I CLASSIC (LA0/1_) 4 D 1996 -> 2008

| | | | | | | | |
|--------|---|---|---|--|------------|--|---|
| 30/910 |  |  |  |  | 7700834347 | |  |
| 30/909 |  | | | | 7700834346 | | |
| 30/974 |  |  |  |  | 7700834343 | |  |
| 30/973 |  | | | | 7700834342 | | |

MEGANE I COACH (DA0/1_) 2 D 1996 -> 2003


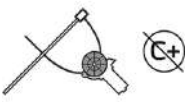




| | | | | | | | |
|--------|---|---|---|--|--------------------------|--|---|
| 30/956 |  |  |  |  | 7700834394 8200038151 | |  |
| 30/955 |  | | | | 7700834393 8200038152 | | |

MEGANE I GRANDTOUR (KA0/1_) 4 D 1999 -> 2003


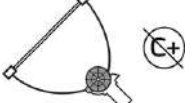





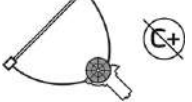





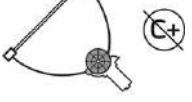
















| | | | | | | | |
|--------|---|---|---|--|------------|--|---|
| 30/910 |  |  |  |  | 7700834347 | |  |
| 30/909 |  | | | | 7700834346 | | |

| Modello Model | Porte Doors | Configurazione Configurations | Foto Pictures | Connettore Connector | Cross OE | Alt. OE | Istruzioni Instructions |
|------------------|----------------|----------------------------------|------------------|-------------------------|----------|---------|----------------------------|
|------------------|----------------|----------------------------------|------------------|-------------------------|----------|---------|----------------------------|







MEGANE I GRANDTOUR (KA0/1_) 4 D 1999 -> 2003

| | | | | | | | |
|--------|---|---|---|--|------------|--|---|
| 30/974 |  |  |  |  | 7700834343 | |  |
| 30/973 |  | | | | 7700834342 | | |

MÉGANE I SCÉNIC (JA0/1_) 4 D 1996 -> 2001






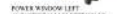













| | | | | | | | |
|---------|---|---|---|--|--------------------------|--|---|
| 30/2828 |  |  |  |  | 7700838592 | |  |
| 30/2827 |  | | | | 7700838591 | | |
| 30/912 |  |  |  |  | 7700838592 | |  |
| 30/911 |  | | | | 7700838591 | | |
| 30/952 |  |  |  |  | 7700838598 | |  |
| 30/951 |  | | | | 7700838597 | | |
| 30/2361 |  |  |  |  | 7700437156 8200044416 | |  |
| 30/2360 |  | | | | 7700437155 8200044417 | | |
| 30/266B |  |  |  |  | 7700838596 | |  |
| 30/266 |  | | | | 7700838596 | | |

MEGANE II (BM0/1_, CM0/1_) 2 D 2001 -> 2012











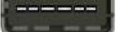









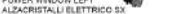






| | | | | | | | |
|---------|---|---|---|--|--------------------------|--|---|
| 30/1711 |  |  |  |  | 8200076023 8200478617 | |  |
| 30/1710 |  | | | | 8200076022 8200478617 | | |

| Modello Model | Porte Doors | Configurazione Configurations | Foto Pictures | Connettore Connector | Cross OE | Alt. OE | Istruzioni Instructions |
|------------------|----------------|----------------------------------|------------------|-------------------------|----------|---------|----------------------------|
|------------------|----------------|----------------------------------|------------------|-------------------------|----------|---------|----------------------------|

MEGANE II (BM0/1_, CM0/1_) 2 D 2001 -> 2012

| | | | | | | | |
|-----------|--|---|---|--|--|---|--|
| 30/2392 |  |  |  |  | | 8200085841* 8200325138* 8201010929* |  |
| 30/2393 |  | |  | | | 8200085843* 8200325137* 8201010927* | |
| 30/1056CK |  |  |  |  | 8200325138 8201010929 820008584 | |  |
| 30/1055CK |  | |  | | 8200085843 8200325137 8201010927 | | |
| 30/1056 |  |  |  | | | 8200085841* 8200325138* 8201010929* |  |
| 30/1055 |  | |  | | | 8200085843* 8200325137* 8201010927* | |

MEGANE II (BM0/1_, CM0/1_) 4 D 2001 -> 2012

| | | | | | | | |
|-----------|---|---|---|--|--|--|---|
| 30/1713 |  |  |  |  | 8200075940 8200478623 | |  |
| 30/1712 |  | |  | | 8200075938 8200478622 | | |
| 30/2390 |  |  |  |  | | 7701378240* 8200325136* 8201010926* 8201264500* |  |
| 30/2391 |  | |  | | | 7701378239* 8200325135* 8201010925* 8201264495* | |
| 30/1058CK |  |  |  |  | 8200325136 8201010926 8201264500 | |  |
| 30/1057CK |  | |  | | 8200325135 8201010925 8201264495 | | |
| 30/1058 |  |  |  | | | 8200325136* 8201010926* |  |
| 30/1057 |  | |  | | | 8200325135* 8201010925* | |

| Modello Model | Porte Doors | Configurazione Configurations | Foto Pictures | Connettore Connector | Cross OE | Alt. OE | Istruzioni Instructions |
|------------------|----------------|----------------------------------|------------------|-------------------------|----------|---------|----------------------------|
|------------------|----------------|----------------------------------|------------------|-------------------------|----------|---------|----------------------------|

MEGANE II (BM0/1_, CM0/1_) 4 D 2001 -> 2012

| | | | | | | | |
|---------|--|--|--|--|--|--|--|
| 30/2394 | | | | | | 820002807* 8200028070* 8201010924* 827213755* | |
| 30/2395 | | | | | | 820002806* 8200028068* 8201010921* 820126447* | |
| 30/1352 | | | | | | 820002807* 8200028070* 8201010924* 827213755* | |
| 30/1351 | | | | | | 820002806* 8200028068* 8201010921* 820126447* | |

MEGANE II CC (EM0/1_) 2 D 2003 -> 2010




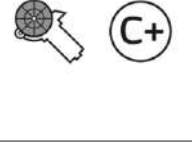




| | | | | | | | |
|---------|--|--|--|--|--|---|--|
| 30/2523 | | | | | 8200098914 8200403241 8201010930 | | |
| 30/2522 | | | | | 8200098915 8200403242 8201010931 | | |
| 30/7064 | | | | | | 8200098914* 8200403241* 8201010930* | |
| 30/7063 | | | | | | 8200098915* 8200403242* 8201010931* | |

MEGANE II GRANDTOUR (KM0/1_) 4 D 2003 -> 2012


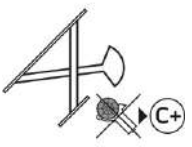




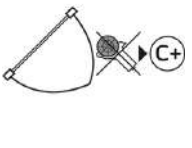



| | | | | | | | |
|-----------|--|--|--|--|--|--|--|
| 30/1713 | | | | | 8200075940 8200478623 | | |
| 30/1712 | | | | | 8200075938 8200478622 | | |
| 30/2390 | | | | | | 7701378240* 8200325136* 8201010926* 8201264500* | |
| 30/2391 | | | | | | 7701378239* 8200325135* 8201010925* 8201264495* | |
| 30/1058CK | | | | | 8200325136 8201010926 8201264500 | | |
| 30/1057CK | | | | | 8200325135 8201010925 8201264495 | | |

| Modello Model | Porte Doors | Configurazione Configurations | Foto Pictures | Connettore Connector | Cross OE | Alt. OE | Istruzioni Instructions |
|------------------|----------------|----------------------------------|------------------|-------------------------|----------|---------|----------------------------|
|------------------|----------------|----------------------------------|------------------|-------------------------|----------|---------|----------------------------|

MEGANE II GRANDTOUR (KM0/1_) 4 D 2003 -> 2012

| | | | | | | | |
|---------|--|--|---|--|--|--|--|
| 30/1058 |  |  |  <small>POWER WINDOW RIGHT ALZACRISTALLI ELETTRICI D.R.</small> | | | 8200325136* 8201010926* |  |
| 30/1057 |  |  | | | | 8200325135* 8201010925* | |
| 30/2394 |  |  |  <small>POWER WINDOW LEFT ALZACRISTALLI ELETTRICI D.R.</small> |  | | 820002807* 8200028070* 8201010924* 827213755* |  |
| 30/2395 |  | | | | | 820002806* 8200028068* 8201010921* 820126447* | |
| 30/1352 |  |  |  <small>POWER WINDOW LEFT ALZACRISTALLI ELETTRICI D.R.</small> | | | 820002807* 8200028070* 8201010924* 827213755* |  |
| 30/1351 |  | | | | | 820002806* 8200028068* 8201010921* 820126447* | |

MÉGANE III (BZ0_) 4 D 2008 -> 2016

| | | | | | | | |
|---------|---|---|---|--|---------------------------------------|--|---|
| 30/1497 |  |  |  <small>POWER WINDOW RIGHT ALZACRISTALLI ELETTRICI D.R.</small> | | 807210002 807210002R 807216718R | |  |
| 30/1496 |  | | | | 807200001 807200001R 807203154R | | |
| 30/1420 |  |  |  <small>POWER WINDOW LEFT ALZACRISTALLI ELETTRICI D.R.</small> | | 827210003R | |  |
| 30/1419 |  | | | | 827200003R | | |

MEGANE III COUPÉ (DZ0/1_) 2 D 2008 -> 2016


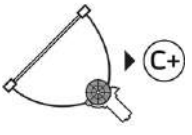









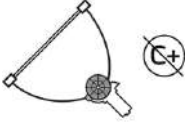





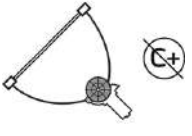





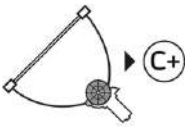





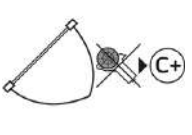



| | | | | | | | |
|---------|---|---|---|--|---------------------------------------|--|---|
| 30/1497 |  |  |  <small>POWER WINDOW RIGHT ALZACRISTALLI ELETTRICI D.R.</small> | | 807210002 807210002R 807216718R | |  |
| 30/1496 |  | | | | 807200001 807200001R 807203154R | | |

| Modello Model | Porte Doors | Configurazione Configurations | Foto Pictures | Connettore Connector | Cross OE | Alt. OE | Istruzioni Instructions |
|------------------|----------------|----------------------------------|------------------|-------------------------|----------|---------|----------------------------|
|------------------|----------------|----------------------------------|------------------|-------------------------|----------|---------|----------------------------|

MEGANE III GRANDTOUR (KZ0/1) 4 D 2008 -> 2016

| | | | | | | | |
|---------|---|---|---|--|---------------------------------------|--|---|
| 30/1497 |  |  |  | | 807210002 807210002R 807216718R | |  |
| 30/1496 |  | | | | 807200001 807200001R 807203154R | | |

MODUS / GRAND MODUS (F/JPO_) 4 D 2004 ->

| | | | | | | | | |
|----------|-----|---|---|--|--|--|----------------------------|---|
| 30/2953C | LHD |  |  |  <small>POWER WINDOW LEFT ALZACRISTALLI ELETTRICO SX</small> |  | 8200335243 8200748379 | |  |
| 30/2421 | |  |  |  |  | | 8200335243* 8200748379* |  |
| 30/2826 | |  |  |  <small>OE</small> |  | 8200277577 8200478299 8200748381 | |  |
| 30/2825 | |  | | | | 8200277578 8200478298 8200748375 | | |
| 30/7312 | |  |  |  <small>POWER WINDOW LEFT ALZACRISTALLI ELETTRICO SX</small> |  | 8200277577 8200478299 8200748381 | |  |
| 30/1090 | |  | | | | 8200277578 8200478298 8200748375 | | |
| 30/3084 | LHD |  |  |  <small>POWER WINDOW LEFT ALZACRISTALLI ELETTRICO SX</small> |  | 8200748377 820033524 | |  |
| 30/3085 | LHD |  | | | | 8200335243 8200748379 | | |
| 30/1089 | |  |  |  <small>POWER WINDOW LEFT ALZACRISTALLI ELETTRICO SX</small> | | | 8200748377* |  |
| 30/1088 | |  | | | | | 8200748379* | |

| Modello Model | Porte Doors | Configurazione Configurations | Foto Pictures | Connettore Connector | Cross OE | Alt. OE | Istruzioni Instructions |
|------------------|----------------|----------------------------------|------------------|-------------------------|----------|---------|----------------------------|
|------------------|----------------|----------------------------------|------------------|-------------------------|----------|---------|----------------------------|

MODUS / GRAND MODUS (F/JPO_) 4 D 2004 ->

| | | | | | | | |
|---------|--|--|--|--|--|---|--|
| 30/1111 | | | | | 8200219260 8200478303 8200801330 | | |
| 30/1110 | | | | | 8200219261 8200478302 8200801329 | | |
| 30/265B | | | | | 8200219258 | | |
| 30/265 | | | | | 8200219259 | | |
| 30/1131 | | | | | | 8200219260* 8200478303* 8200801330* | |
| 30/1130 | | | | | | 8200219261* 8200478302* 8200801329* | |

R19 II (B/C53_) 4 D 1991 -> 2001

| | | | | | | | |
|---------|--|--|--|--|------------|--|--|
| 30/7313 | | | | | 7700785633 | | |
| 30/7314 | | | | | 7700785634 | | |

SCÉNIC II (JM0/1_) 4 D 2003 -> 2010

| | | | | | | | |
|-----------|--|--|--|--|--|--|--|
| 30/2529 | | | | | 820062876 8200118785 8200478613 8200628769 | | |
| 30/2528 | | | | | 820062875 8200118784 8200478611 8200628752 | | |
| 30/2414 | | | | | | 8200118777* 8200628747* 8200646839* 8201010937* | |
| 30/2415 | | | | | | 8200118775* 8200628749* 8200646838* 8201010936* | |
| 30/1016CK | | | | | 8200118777 8200628747 8200646839 8201010937 | | |
| 30/1015CK | | | | | 8200118775 8200628749 8200646838 8201010936 | | |

| Modello Model | Porte Doors | Configurazione Configurations | Foto Pictures | Connettore Connector | Cross OE | Alt. OE | Istruzioni Instructions |
|------------------|----------------|----------------------------------|------------------|-------------------------|----------|---------|----------------------------|
|------------------|----------------|----------------------------------|------------------|-------------------------|----------|---------|----------------------------|

SCÉNIC II (JM0/1_) 4 D 2003 -> 2010


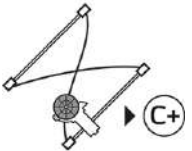





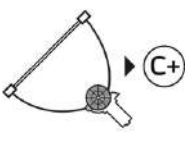




| | | | | | | | |
|-----------|--|--|--|--|--|--|--|
| 30/1030 | | | | | | 8200118777* 8200628747* 8200646839* 8201010937* | |
| 30/1029 | | | | | | 8200118775* 8200628749* 8200646838* 8201010936* | |
| 30/2417 | | | | | | 8200118856* 8200634738* 8200646837* 8201010935* | |
| 30/2416 | | | | | | 8200118857* 8200634737* 8200646836* 8201010934* | |
| 30/1018CK | | | | | | 8200118856 8200634738 8200646837 8201010935 | |
| 30/1017CK | | | | | | 8200118857 8200634737 8200646836 8201010934 | |
| 30/258B | | | | | | 8200118855 8200636812 | |
| 30/258 | | | | | | 8200118854 8200636810 | |
| 30/1048 | | | | | | 8200118856* 8200634738* 8200646837* 8201010935* | |
| 30/1047 | | | | | | 8200118857* 8200634737* 8200646836* 8201010934* | |

SCÉNIC III (JZ0/1_) 4 D 2008 -> 2016

| | | | | | | | |
|---------|--|--|--|--|--|---------------------------------------|--|
| 30/1721 | | | | | | 807210007 807210007R 807212569R | |
| 30/1720 | | | | | | 807200007 807200007R 807205115R | |
| 30/1723 | | | | | | 827210006R 827216769R | |
| 30/1722 | | | | | | 827200006R 827208148R | |

| Modello Model | Porte Doors | Configurazione Configurations | Foto Pictures | Connettore Connector | Cross OE | Alt. OE | Istruzioni Instructions |
|------------------|----------------|----------------------------------|------------------|-------------------------|----------|---------|----------------------------|
|------------------|----------------|----------------------------------|------------------|-------------------------|----------|---------|----------------------------|

SCÉNIC IV (J9_) 4 D 2016 -> 2022

| | | | | | | | |
|---------|---|---|---|--|------------|--|---|
| 30/2870 |  |  |  |  | 807214665R | |  |
| 30/2869 |  | | | | 807200294R | | |
| 30/2868 |  |  |  |  | 827213658R | |  |
| 30/2867 |  | | | | 827201983R | | |

TRAFIC II (JL, FL, EL) 2 D 2001 ->

| | | | | | | | |
|----------|---|---|---|--|---|--|---|
| 30/3016 |  |  |  |  | 4416295 93186237 8200162708 504173868 | |  |
| 30/3015 |  | | <small>POWER WINDOW LEFT ALZACRISTALLI ELETTRICO SX</small> | | 93186238 8200162710 504173866 5801482026 | | |
| 30/888 |  |  |  |  | 4408554 91165704 7700311820 8070100OAL | |  |
| 30/887 |  | | <small>POWER WINDOW LEFT ALZACRISTALLI ELETTRICO SX</small> | | 4408555 91165705 7700311821 8070000OAL | | |
| 30/1006C |  |  |  |  | 42565949 42574134 504335520 504356352 | |  |
| 30/1005C |  | | <small>POWER WINDOW LEFT ALZACRISTALLI ELETTRICO SX</small> | | 42565948 42574133 42574135 504335512 | | |
| 30/1671 |  |  |  | | | 42565949* 42574134* 504335520* 504356352* |  |
| 30/1670 |  | | <small>POWER WINDOW LEFT ALZACRISTALLI ELETTRICO SX</small> | | | 43574133* 42565948* 42574133* 42574135* | |
| 30/1793 |  |  |  | | | 4416295* 5801529324* 5801901053* 8200162708* |  |
| 30/1792 |  | | <small>POWER WINDOW LEFT ALZACRISTALLI ELETTRICO SX</small> | | | 5801528511* 5801901052* 8200162710* 93186238* | |

| Modello Model | Porte Doors | Configurazione Configurations | Foto Pictures | Connettore Connector | Cross OE | Alt. OE | Istruzioni Instructions |
|------------------|----------------|----------------------------------|------------------|-------------------------|----------|---------|----------------------------|
|------------------|----------------|----------------------------------|------------------|-------------------------|----------|---------|----------------------------|

TRAFIC II (JL, FL, EL) 2 D 2001 ->

| | | | | | | | |
|---------|--|--|--|--|--|---|--|
| 30/1845 | | | | | | 4408554* 7700311820* 8070100QAL* 91165704* | |
| 30/1844 | | | | | | 4408555* 7700311821* 8070000QAL* 91165705* | |

TRAFIC III (JG_, FG_, EG_) 2 D 2014 ->

| | | | | | | | |
|---------|--|--|--|--|--|--|--|
| 30/2157 | | | | | | 6000617948* 807210974R* 807216280R | |
| 30/2156 | | | | | | 6000617946* 807207538R* 93867657* | |

TWINGO I (C06_) 2 D 1993 -> 2012

| | | | | | | | |
|---------|--|--|--|--|----------------|--|--|
| 30/7315 | | | | | 770083059 7 | | |
| 30/7316 | | | | | 7700830597 | | |
| 30/1028 | | | | | 8200051779 | | |
| 30/1027 | | | | | 8200051780 | | |

TWINGO II (CN0_) 2 D 2007 ->

| | | | | | | | |
|---------|--|--|--|--|------------|-------------|--|
| 30/1733 | | | | | 8200384743 | | |
| 30/1732 | | | | | 8200384741 | | |
| 30/2093 | | | | | | 8200384743* | |
| 30/2092 | | | | | | 8200384741* | |

| Modello Model | Porte Doors | Configurazione Configurations | Foto Pictures | Connettore Connector | Cross OE | Alt. OE | Istruzioni Instructions |
|------------------|----------------|----------------------------------|------------------|-------------------------|----------|---------|----------------------------|
|------------------|----------------|----------------------------------|------------------|-------------------------|----------|---------|----------------------------|

TWINGO III (BCM_, BCA_) 4 D 2014 ->

| | | | | | | | |
|---------|--|--|--|--|------------|-----------------------------|--|
| 30/2191 | | | | | 807215092R | | |
| 30/2190 | | | | | 807208353R | | |
| 30/3100 | | | | | | 807215092R* A4537203300* | |
| 30/3101 | | | | | | 807208353R* A4537203400* | |

| Modello Model | Porte Doors | Configurazione Configurations | Foto Pictures | Connettore Connector | Cross OE | Alt. OE | Istruzioni Instructions |
|------------------|----------------|----------------------------------|------------------|-------------------------|----------|---------|----------------------------|
|------------------|----------------|----------------------------------|------------------|-------------------------|----------|---------|----------------------------|

C SERIES 250-320CV 2 D 2013 ->

| | | | | | | | |
|---------|--|--|--|--|-----------|--|--|
| 30/2624 | | | | | 782540378 | | |
| 30/2623 | | | | | 782540380 | | |

D SERIES 10-18T; 18-26T 2 D 2013 ->

| | | | | | | | |
|---------|--|--|--|--|---|--|--|
| 30/1521 | | | | | 1400753 1705698 1707356 1714809 | | |
| 30/1520 | | | | | 1400754 1705699 1707357 20557554 | | |
| 30/247B | | | | | 5010301991 7482497191 | | |
| 30/247 | | | | | 5010301992 7482497192 | | |

KERAX 2 D 2000 -> 2012


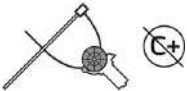



| | | | | | | | |
|---------|--|--|--|--|---|--|--|
| 30/1521 | | | | | 1400753 1705698 1707356 1714809 | | |
| 30/1520 | | | | | 1400754 1705699 1707357 20557554 | | |
| 30/247B | | | | | 5010301991 7482497191 | | |
| 30/247 | | | | | 5010301992 7482497192 | | |

MAGNUM 2 D 2000 -> 2012

| | | | | | | | |
|---------|--|--|--|--|------------|--|--|
| 30/1761 | | | | | 7482059716 | | |
|---------|--|--|--|--|------------|--|--|

| Modello Model | Porte Doors | Configurazione Configurations | Foto Pictures | Connettore Connector | Cross OE | Alt. OE | Istruzioni Instructions |
|------------------|----------------|----------------------------------|------------------|-------------------------|----------|---------|----------------------------|
|------------------|----------------|----------------------------------|------------------|-------------------------|----------|---------|----------------------------|













MAGNUM 2 D 2000 -> 2012

| | | | | | | | |
|---------|---|---|---|--|--------------------------|--|---|
| 30/1760 |  |  |  |  | 5010468940 7421275875 | |  |
|---------|---|---|---|--|--------------------------|--|---|













MAXITY 2 D 2007 ->

| | | | | | | | |
|---------|---|---|---|--|--|--|---|
| 30/1817 |  |  |  |  | 80721MA00B 80721MA00C 80721MA00D 80721MA00E | |  |
| 30/1816 |  | | | | 80720MA00B 80720MA00C 80720MA00D 80720MA00E | | |

MIDLUM 2 D 2000 ->


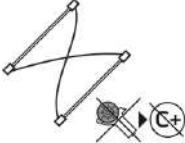



| | | | | | | | |
|---------|---|---|---|--|---|--|---|
| 30/1521 |  |  |  |  | 1400753 1705698 1707356 1714809 | |  |
| 30/1520 |  | | | | 1400754 1705699 1707357 20557554 | | |
| 30/247B |  |  |  |  | 5010301991 7482497191 | |  |
| 30/247 |  | | | | 5010301992 7482497192 | | |

PREMIUM 2 D 1996 ->

| | | | | | | | |
|---------|---|---|---|--|---|--|---|
| 30/1521 |  |  |  |  | 1400753 1705698 1707356 1714809 | |  |
| 30/1520 |  | | | | 1400754 1705699 1707357 20557554 | | |
| 30/247B |  |  |  |  | 5010301991 7482497191 | |  |
| 30/247 |  | | | | 5010301992 7482497192 | | |

| Modello Model | Porte Doors | Configurazione Configurations | Foto Pictures | Connettore Connector | Cross OE | Alt. OE | Istruzioni Instructions |
|------------------|----------------|----------------------------------|------------------|-------------------------|----------|---------|----------------------------|
|------------------|----------------|----------------------------------|------------------|-------------------------|----------|---------|----------------------------|

T SERIES 2 D 2004 -> 2019

| | | | | | | | |
|---------|---|---|--|--|-----------|--|---|
| 30/2624 |  |  |  <small>POWER WINDOW LEFT ALZACRISTALLI ELETTRICO SINISTRO</small> | | 782540378 | |  |
| 30/2623 |  | | | | 782540380 | | |

| Modello Model | Porte Doors | Configurazione Configurations | Foto Pictures | Connettore Connector | Cross OE | Alt. OE | Istruzioni Instructions |
|------------------|----------------|----------------------------------|------------------|-------------------------|----------|---------|----------------------------|
|------------------|----------------|----------------------------------|------------------|-------------------------|----------|---------|----------------------------|

200 II (RF) 2 D 1995 -> 2000

| | | | | | | | |
|---------|--|--|--|--|--|-----------|--|
| 30/7203 | | | | | | CUH101910 | |
| 30/7204 | | | | | | CUH101900 | |

200 II (RF) 4 D 1995 -> 2000

| | | | | | | | |
|---------|--|--|--|--|--|-----------|--|
| 30/7203 | | | | | | CUH101910 | |
| 30/7204 | | | | | | CUH101900 | |

200 II (XW) 4 D 1989 -> 1995

| | | | | | | | |
|---------|--|--|--|--|--|--|--|
| 30/7102 | | | | | | 72250SK3G12 72250SK3G13 72255SK3G12 CUH10119 | |
| 30/7103 | | | | | | 72210SK3G11 72210SK3G12 72210SK3G13 72215SK3G12 | |

25 I (RF) 2 D 1999 -> 2006

| | | | | | | | |
|---------|--|--|--|--|--|-----------|--|
| 30/7203 | | | | | | CUH101910 | |
| 30/7204 | | | | | | CUH101900 | |

25 I (RF) 4 D 1999 -> 2006

| | | | | | | | |
|---------|--|--|--|--|--|-----------|--|
| 30/7203 | | | | | | CUH101910 | |
| 30/7204 | | | | | | CUH101900 | |

400 - 2 SERIES II (XW) SEDAN 4 D 1990 -> 1995

| | | | | | | | |
|---------|--|--|--|--|--|--|--|
| 30/7102 | | | | | | 72250SK3G12 72250SK3G13 72255SK3G12 CUH10119 | |
| 30/7103 | | | | | | 72210SK3G11 72210SK3G12 72210SK3G13 72215SK3G12 | |

| Modello Model | Porte Doors | Configurazione Configurations | Foto Pictures | Connettore Connector | Cross OE | Alt. OE | Istruzioni Instructions |
|------------------|----------------|----------------------------------|------------------|-------------------------|----------|---------|----------------------------|
|------------------|----------------|----------------------------------|------------------|-------------------------|----------|---------|----------------------------|

400 - 2 SERIES II (XW) TOURER 4 D 1993 -> 1998

| | | | | | | | |
|---------|--|---|---|--|--|--|---|
| 30/7102 | |  |  |  POWER WINDOW LEFT ALZACRISTALLI ELETTRICI SX |  | 72250SK3G12 72250SK3G13 72255SK3G12 CUH10119 |  |
| 30/7103 | |  | | | | 72210SK3G11 72210SK3G12 72210SK3G13 72215SK3G12 | |

400 - 3 SERIES (RT) 4 D 1995 -> 2000


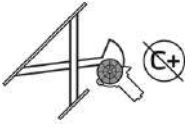





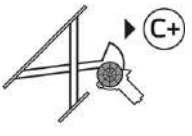



| | | | | | | | |
|---------|-----|---|---|--|--|--|---|
| 30/7093 | RHD |  |  |  POWER WINDOW LEFT ALZACRISTALLI ELETTRICI SX |  | 72250ST3G11 72255ST3G11 CUH102110 |  |
| 30/7091 | LHD |  | | | | 72210ST3G11 72215ST3G11 CUH102100 | |
| 30/7090 | LHD |  |  |  POWER WINDOW LEFT ALZACRISTALLI ELETTRICI SX |  | 72250S04A01 72250S04A02 72250S04A0 |  |
| 30/7092 | RHD |  | | | | CUH102060 72210S04A01 72210S04A02 | |
| 30/7094 | |  |  |  POWER WINDOW LEFT ALZACRISTALLI ELETTRICI SX |  | 72750ST3E11 72755ST3E11 CVH101030 CVH101090 |  |
| 30/7095 | |  | | | | 72710ST3E11 72715ST3E11 CVH101020 CVH101080 | |

45 I (RT) 4 D 2000 -> 2005

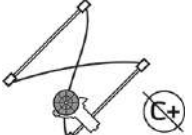


| | | | | | | | |
|---------|-----|---|---|--|--|--|---|
| 30/7093 | RHD |  |  |  POWER WINDOW LEFT ALZACRISTALLI ELETTRICI SX |  | 72250ST3G11 72255ST3G11 CUH102110 |  |
| 30/7091 | LHD |  | | | | 72210ST3G11 72215ST3G11 CUH102100 | |
| 30/7090 | LHD |  |  |  POWER WINDOW LEFT ALZACRISTALLI ELETTRICI SX |  | 72250S04A01 72250S04A02 72250S04A0 |  |
| 30/7092 | RHD |  | | | | CUH102060 72210S04A01 72210S04A02 | |
| 30/7094 | |  |  |  POWER WINDOW LEFT ALZACRISTALLI ELETTRICI SX |  | 72750ST3E11 72755ST3E11 CVH101030 CVH101090 |  |
| 30/7095 | |  | | | | 72710ST3E11 72715ST3E11 CVH101020 CVH101080 | |

| Modello Model | Porte Doors | Configurazione Configurations | Foto Pictures | Connettore Connector | Cross OE | Alt. OE | Istruzioni Instructions |
|------------------|----------------|----------------------------------|------------------|-------------------------|----------|---------|----------------------------|
|------------------|----------------|----------------------------------|------------------|-------------------------|----------|---------|----------------------------|


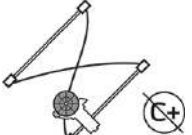





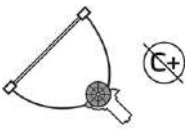



600 I (RH) 4 D 1993 -> 2000

| | | | | | | | |
|---------|-----|---|---|--|--|--------------------------|---|
| 30/7324 | RHD |  |  |  <small>POWER WINDOW LEFT ALZACRISTALLI ELETTRICO SX</small> |  | CUH101970* |  |
| 30/7322 | LHD |  | | | | CUH101940* | |
| 30/7321 | LHD |  |  |  <small>POWER WINDOW LEFT ALZACRISTALLI ELETTRICO SX</small> |  | CUH101970* CUR100290* | |
| 30/7323 | RHD |  | | | | CUH101940* CUR100280* | |

75 I (RJ) 4 D 1999 -> 2005

| | | | | | | | |
|---------|--|---|---|---|--|------------------------|--|
| 30/7317 | |  |  |  <small>POWER WINDOW LEFT ALZACRISTALLI ELETTRICO SX</small> |  | CUH102350 |  |
| 30/7318 | |  | | | | CUH102340 | |
| 30/7319 | |  |  |  |  | CVH101170 CVH101310 | |
| 30/7320 | |  | | | | CVH101160 CVH101300 | |

75 I TOURER (RJ) 4 D 2001 -> 2006

| | | | | | | | |
|---------|--|---|---|--|--|------------------------|---|
| 30/7317 | |  |  |  <small>POWER WINDOW LEFT ALZACRISTALLI ELETTRICO SX</small> |  | CUH102350 |  |
| 30/7318 | |  | | | | CUH102340 | |
| 30/7319 | |  |  |  |  | CVH101170 CVH101310 | |
| 30/7320 | |  | | | | CVH101160 CVH101300 | |

| Modello Model | Porte Doors | Configurazione Configurations | Foto Pictures | Connettore Connector | Cross OE | Alt. OE | Istruzioni Instructions |
|------------------|----------------|----------------------------------|------------------|-------------------------|----------|---------|----------------------------|
|------------------|----------------|----------------------------------|------------------|-------------------------|----------|---------|----------------------------|

9-3 (YS3D) 2 D 1998 -> 2003

| | | | | | | | |
|---------|--|--|--|--|--|--|--|
| 30/7325 | | | | | 4328555 4695714 4851895 5117494 | | |
| 30/7326 | | | | | 4328563 4695722 4851887 5117502 | | |

9-3 (YS3D) 4 D 1998 -> 2003

| | | | | | | | |
|---------|--|--|--|--|---------|--|--|
| 30/7327 | | | | | | 4328415* 5184874* 5184932* 4328381 | |
| 30/7328 | | | | | | 4328381* 4328423* 5184882* 5184940* | |
| 30/7329 | | | | | 5184890 | | |
| 30/7330 | | | | | 5184908 | | |

9-3 (YS3F) 4 D 2002 -> 2015

| | | | | | | | |
|---------|--|--|--|--|---------|--|--|
| 30/7327 | | | | | | 4328415* 5184874* 5184932* 4328381 | |
| 30/7328 | | | | | | 4328381* 4328423* 5184882* 5184940* | |
| 30/7331 | | | | | | 12755681* 12755683* 12788911* 12793728* | |
| 30/7332 | | | | | | 12755682* 12755684* 12788912* 12793729* | |
| 30/1811 | | | | | | 12755681 12755683 12788911 12793728 | |
| 30/1810 | | | | | | 12755682 12755684 12788912 12793729 | |
| 30/7329 | | | | | 5184890 | | |
| 30/7330 | | | | | 5184908 | | |

| Modello Model | Porte Doors | Configurazione Configurations | Foto Pictures | Connettore Connector | Cross OE | Alt. OE | Istruzioni Instructions |
|------------------|----------------|----------------------------------|------------------|-------------------------|----------|---------|----------------------------|
|------------------|----------------|----------------------------------|------------------|-------------------------|----------|---------|----------------------------|

9-3 (YS3F) 4 D 2002 -> 2015

| | | | | | | | |
|---------|--|--|--|--|----------|-------------------------------------|--|
| 30/996 | | | | | | 12788913* 12793730* 12802322* | |
| 30/995 | | | | | | 12788914* 12793731* 12802323* | |
| 30/1813 | | | | | 12763708 | | |
| 30/1812 | | | | | 12763707 | | |

9-5 (YS3E) 4 D 1997 -> 2009

| | | | | | | | |
|---------|--|--|--|--|--------------------|----------------------|--|
| 30/2095 | | | | | | 5184817* 5184833* | |
| 30/2094 | | | | | | 5184825* 5184841* | |
| 30/7333 | | | | | 4695672 5184858 | | |
| 30/7334 | | | | | 4695680 5333422 | | |

9-5 STATION WAGON (YS3E) 4 D 1998 -> 2009

| | | | | | | | |
|---------|--|--|--|--|--------------------|----------------------|--|
| 30/2095 | | | | | | 5184817* 5184833* | |
| 30/2094 | | | | | | 5184825* 5184841* | |
| 30/7333 | | | | | 4695672 5184858 | | |
| 30/7334 | | | | | 4695680 5333422 | | |

| Modello Model | Porte Doors | Configurazione Configurations | Foto Pictures | Connettore Connector | Cross OE | Alt. OE | Istruzioni Instructions |
|------------------|----------------|----------------------------------|------------------|-------------------------|----------|---------|----------------------------|
|------------------|----------------|----------------------------------|------------------|-------------------------|----------|---------|----------------------------|

900 II 4 D 1993 -> 1999

| | | | | | | | |
|---------|--|--|--|--|---------|--|--|
| 30/7327 | | | | | | 4328415* 5184874* 5184932* 4328381 | |
| 30/7328 | | | | | | 4328381* 4328423* 5184882* 5184940* | |
| 30/7329 | | | | | 5184890 | | |
| 30/7330 | | | | | 5184908 | | |

9000 4 D 1985 -> 1998

| | | | | | | | |
|---------|--|--|--|--|--|----------------------|--|
| 30/7335 | | | | | | 4305199* 9255217* | |
| 30/7336 | | | | | | 4305181* 9255209* | |

| Modello Model | Porte Doors | Configurazione Configurations | Foto Pictures | Connettore Connector | Cross OE | Alt. OE | Istruzioni Instructions |
|------------------|----------------|----------------------------------|------------------|-------------------------|----------|---------|----------------------------|
|------------------|----------------|----------------------------------|------------------|-------------------------|----------|---------|----------------------------|

3 SERIES 2 D 1988 -> 1999

| | | | | | | | |
|---------|--|--|--|--|---------|--|--|
| 30/1775 | | | | | 1406613 | | |
| 30/1774 | | | | | 1406614 | | |

4 SERIES 2 D 1995 -> 2011

| | | | | | | | |
|---------|--|--|--|--|--|--|--|
| 30/2117 | | | | | 1366849 1442294 2303349 2303350 | | |
| 30/2116 | | | | | 230352 1366850 1442295 2303355 | | |
| 30/1735 | | | | | | 1366849* 1442294* 2303349* 2303350* | |
| 30/1734 | | | | | | 1366850* 1442295* 2303352* 2303355* | |

G II 2 D 2017 ->

| | | | | | | | |
|---------|--|--|--|--|---------|--|--|
| 30/3174 | | | | | 2053163 | | |
| 30/3173 | | | | | 2053165 | | |

L 2 D 2017 ->

| | | | | | | | |
|---------|--|--|--|--|---------|--|--|
| 30/3174 | | | | | 2053163 | | |
| 30/3173 | | | | | 2053165 | | |

P II 2 D 2017 ->

| | | | | | | | |
|---------|--|--|--|--|---------|--|--|
| 30/3174 | | | | | 2053163 | | |
| 30/3173 | | | | | 2053165 | | |

| Modello Model | Porte Doors | Configurazione Configurations | Foto Pictures | Connettore Connector | Cross OE | Alt. OE | Istruzioni Instructions |
|------------------|----------------|----------------------------------|------------------|-------------------------|----------|---------|----------------------------|
|------------------|----------------|----------------------------------|------------------|-------------------------|----------|---------|----------------------------|

R I 2 D 2004 -> 2019

| | | | | | | | |
|---------|--|--|--|--|--|--|--|
| 30/1735 | | | | | | 1366849* 1442294* 2303349* 2303350* | |
| 30/1734 | | | | | | 1366850* 1442295* 2303352* 2303355* | |

R II 2 D 2017 ->


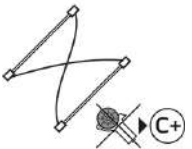





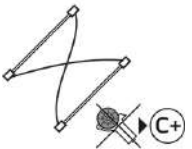




| | | | | | | | |
|---------|--|--|--|--|---------|--|--|
| 30/3174 | | | | | 2053163 | | |
| 30/3173 | | | | | 2053165 | | |

S 2 D 2017 ->

| | | | | | | | |
|---------|--|--|--|--|---------|--|--|
| 30/3174 | | | | | 2053163 | | |
| 30/3173 | | | | | 2053165 | | |

| Modello Model | Porte Doors | Configurazione Configurations | Foto Pictures | Connettore Connector | Cross OE | Alt. OE | Istruzioni Instructions |
|------------------|----------------|----------------------------------|------------------|-------------------------|----------|---------|----------------------------|
|------------------|----------------|----------------------------------|------------------|-------------------------|----------|---------|----------------------------|


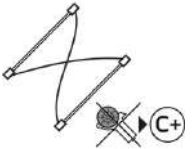





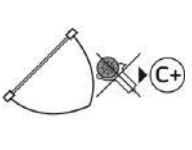




ALHAMBRA (710, 711) 4 D 2010 -> 2022

| | | | | | | | |
|---------|---|---|--|--|---|--|---|
| 30/1213 |  |  |  POWER WINDOW LEFT ALZACRISTALLI ELETTRICO SX | | 7N0837461 7N0837461D 7N0837461F | |  |
| 30/1212 |  |  | | | 7N0837462 7N0837462D 7N0837462F | | |
| 30/1215 |  |  |  POWER WINDOW LEFT ALZACRISTALLI ELETTRICO SX | | 7N0839461 7N0843699C 7N0843699D 7N0843699E | |  |
| 30/1214 |  |  | | | 7N0839462 7N0843700C 7N0843700D 7N0843700E | | |

ALHAMBRA (7V8, 7V9) 4 D 1996 -> 2010

| | | | | | | | |
|---------|--|---|---|--|---|--|--|
| 30/1193 |  |  |  POWER WINDOW LEFT ALZACRISTALLI ELETTRICO SX | | 1021996 1107592 7M0837461 7M0837461A | |  |
| 30/1192 |  |  | | | 1021998 1107591 7M0837462 7M0837462A | | |

ALTEA (5P1) 4 D 2004 -> 2015


| | | | | | | | |
|---------|---|---|---|--|------------|--|---|
| 30/1321 |  |  |  POWER WINDOW RIGHT ALZACRISTALLI ELETTRICO DX | | 5P0837461 | |  |
| 30/1320 |  |  | | | 5P0837462 | | |
| 30/1323 |  |  |  POWER WINDOW LEFT ALZACRISTALLI ELETTRICO SX | | 5P0839461A | |  |
| 30/1322 |  |  | | | 5P0839462A | | |

ALTEA XL (5P5, 5P8) 4 D 2006 -> 2015


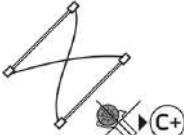








| | | | | | | | |
|---------|---|---|---|--|-----------|--|---|
| 30/1321 |  |  |  POWER WINDOW RIGHT ALZACRISTALLI ELETTRICO DX | | 5P0837461 | |  |
| 30/1320 |  |  | | | 5P0837462 | | |

| Modello Model | Porte Doors | Configurazione Configurations | Foto Pictures | Connettore Connector | Cross OE | Alt. OE | Istruzioni Instructions |
|------------------|----------------|----------------------------------|------------------|-------------------------|----------|---------|----------------------------|
|------------------|----------------|----------------------------------|------------------|-------------------------|----------|---------|----------------------------|


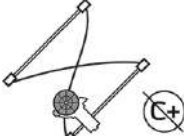





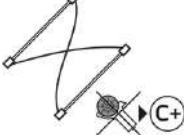



ALTEA XL (5P5, 5P8) 4 D 2006 -> 2015

| | | | | | | | |
|---------|---|---|---|--|------------|--|---|
| 30/1323 |  |  |  | | 5P0839461A | |  |
| 30/1322 |  | | | | 5P0839462A | | |

ARONA (KJ7, KJP) 4 D 2017 ->

| | | | | | | | |
|---------|---|--|--|--|--------------------------|--|--|
| 30/2916 |  |  |  | | 6F9837462B 6F9837461 | |  |
| 30/2915 |  | | | | 6F9837461B 6F9837461C | | |
| 30/2650 |  |  |  | | 6F0839461A | |  |
| 30/2649 |  | | | | 6F0839462A | | |

AROSA (6H1) 2 D 1997 -> 2004

| | | | | | | | |
|---------|---|---|---|--|---|--|---|
| 30/7337 |  |  |  |  | | 6H0959802A* 6X0837461A* 6X0837461B* 6X0837461C* |  |
| 30/7338 |  | | | | | 6H0959801B* 6X0837462A* 6X0837462B* 6X0837462C* | |
| 30/1117 |  |  |  | | 6X0837461A 6X0837461B 6X0837461C 6E0837461 | |  |
| 30/1116 |  | | | | 6X0837462A 6X0837462B 6X0837462C 6E0837462 | | |

ATECA (KH7, KHP) 4 D 2016 ->


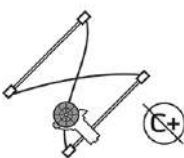





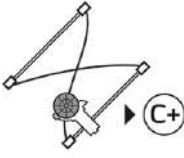




| | | | | | | | |
|---------|---|---|---|--|-------------------------|--|---|
| 30/2914 |  |  |  | | 575837461 575837461A | |  |
| 30/2913 |  | | | | 575837462 575837462A | | |

| Modello Model | Porte Doors | Configurazione Configurations | Foto Pictures | Connettore Connector | Cross OE | Alt. OE | Istruzioni Instructions |
|------------------|----------------|----------------------------------|------------------|-------------------------|----------|---------|----------------------------|
|------------------|----------------|----------------------------------|------------------|-------------------------|----------|---------|----------------------------|


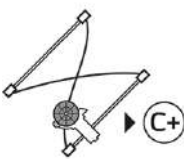





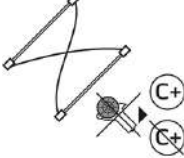





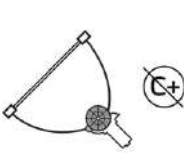





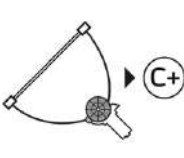




ATECA (KH7, KHP) 4 D 2016 ->

| | | | | | | | |
|---------|---|---|--|--|-------------------------|--|---|
| 30/2686 |  |  |  POWER WINDOW LEFT ALZACRISTALLI ELETTRICO SX | | 575839461 575839461A | |  |
| 30/2685 |  | | | | 575839462 575839462A | | |

CORDOBA (6K1, 6K2) 2 D 1993 -> 2002

| | | | | | | | |
|---------|---|--|---|---|---------------------------------------|--|--|
| 30/808 |  |  |  POWER WINDOW LEFT ALZACRISTALLI ELETTRICO SX |  | 6K3837401B 6K3837401H 6K3837461 | |  |
| 30/807 |  | | | | 6K3837402B 6K3837402H 6K3837462 | | |
| 30/808C |  |  |  POWER WINDOW LEFT ALZACRISTALLI ELETTRICO SX |  | 6K3837401E 6K3837401G | |  |
| 30/807C |  | | | | 6K3837402E 6K3837402G | | |

CORDOBA (6K1, 6K2) 4 D 1993 -> 2002

| | | | | | | | |
|---------|---|---|--|--|---|--|---|
| 30/822C |  |  |  POWER WINDOW LEFT ALZACRISTALLI ELETTRICO SX |  | 6K4837401J* 6K4959801C* 6K4959801E* | |  |
| 30/821C |  | | | | 6K4837402J* 6K4959802C* 6K4959802E* | | |
| 30/2213 |  |  |  POWER WINDOW LEFT ALZACRISTALLI ELETTRICO SX |  | 6K4837401AA* 6K4837401C* 6K4837401D* 6K4837401H* | |  |
| 30/2212 |  | | | | 6K4837402AA* 6K4837402C* 6K4837402D* 6K4837402H* | | |
| 30/1741 |  |  |  POWER WINDOW LEFT ALZACRISTALLI ELETTRICO SX |  | 6K4839401B 6K4839401D 6K4839401G | |  |
| 30/1740 |  | | | | 6K4839402B 6K4839402D 6K4839402G | | |
| 30/1759 |  |  |  POWER WINDOW LEFT ALZACRISTALLI ELETTRICO SX |  | 6K4839401H 6K4839402 | |  |
| 30/1758 |  | | | | 6K4839402H 6Q4839402H | | |

| Modello Model | Porte Doors | Configurazione Configurations | Foto Pictures | Connettore Connector | Cross OE | Alt. OE | Istruzioni Instructions |
|------------------|----------------|----------------------------------|------------------|-------------------------|----------|---------|----------------------------|
|------------------|----------------|----------------------------------|------------------|-------------------------|----------|---------|----------------------------|

CORDOBA (6K5) VARIO 4 D 1996 -> 2002

| | | | | | | | |
|---------|--|--|--|--|--|---|--|
| 30/822C | | | | | | 6K4837401* 6K4959801C* 6K4959801E* | |
| 30/821C | | | | | | 6K4837402* 6K4959802C* 6K4959802E* | |
| 30/2213 | | | | | | 6K4837401AA* 6K4837401C* 6K4837401D* 6K4837401H* | |
| 30/2212 | | | | | | 6K4837402AA* 6K4837402C* 6K4837402D* 6K4837402H* | |
| 30/1741 | | | | | 6K4839401B 6K4839401D 6K4839401G | | |
| 30/1740 | | | | | 6K4839402B 6K4839402D 6K4839402G | | |
| 30/1759 | | | | | 6K4839401H 6K4839402 | | |
| 30/1758 | | | | | 6K4839402H 6Q4839402H | | |

CORDOBA (6L2) 4 D 2002 -> 2009

| | | | | | | | |
|---------|--|--|--|--|--|--|--|
| 30/984 | | | | | 6L4837461 | | |
| 30/983 | | | | | 6L4837462 | | |
| 30/2580 | | | | | 6L4839755A 6L4839755C 6L4839755M | | |
| 30/2579 | | | | | 6L4839756A 6L4839756C 6L4839756M | | |

EXEO (3R2) 4 D 2008 -> 2013

| | | | | | | | |
|--------|--|--|--|--|---|--|--|
| 30/998 | | | | | 8E0837461 8E0837461A 8E0837461B 8E0837461C | | |
| 30/997 | | | | | 8E0837462 8E0837462A 8E0837462B 8E0837462C | | |

| Modello Model | Porte Doors | Configurazione Configurations | Foto Pictures | Connettore Connector | Cross OE | Alt. OE | Istruzioni Instructions |
|------------------|----------------|----------------------------------|------------------|-------------------------|----------|---------|----------------------------|
|------------------|----------------|----------------------------------|------------------|-------------------------|----------|---------|----------------------------|

EXEO (3R2) 4 D 2008 -> 2013

| | | | | | | | |
|---------|--|--|---|--|---|--|--|
| 30/1209 | | | | | 8E0839461 8E0839461A 8E0839461B 8E0839461C | | |
| 30/1208 | | | POWER WINDOW LEFT ALZACRISTALLI ELETTRICO SX | | 8E0839462 8E0839462A 8E0839462B 8E0839462C | | |

IBIZA I (21A) 2 D 1984 -> 1993

| | | | | | | | |
|--------|--|--|---|--|--------------|--|--|
| 30/846 | | | | | SE021978051B | | |
| 30/845 | | | POWER WINDOW LEFT ALZACRISTALLI ELETTRICO SX | | SE021978050B | | |

IBIZA II (6K1) 2 D 1993 -> 2002

| | | | | | | | |
|--------|--|--|---|--|---------------------------------------|--|--|
| 30/808 | | | | | 6K3837401B 6K3837401H 6K3837461 | | |
| 30/807 | | | POWER WINDOW LEFT ALZACRISTALLI ELETTRICO SX | | 6K3837402B 6K3837402H 6K3837462 | | |

| | | | | | | | |
|---------|--|--|---|--|--------------------------|--|--|
| 30/808C | | | | | 6K3837401E 6K3837401G | | |
| 30/807C | | | POWER WINDOW LEFT ALZACRISTALLI ELETTRICO SX | | 6K3837402E 6K3837402G | | |

IBIZA II (6K1) 4 D 1993 -> 2002

| | | | | | | | |
|--------|--|--|---|--|---|--|--|
| 30/822 | | | | | 6K4837401AA 6K4837401B 6K4837401C 6K4837401D | | |
| 30/821 | | | POWER WINDOW LEFT ALZACRISTALLI ELETTRICO SX | | 6K4837402B 6K4837402C 6K4837402D 6K4837402H | | |

| | | | | | | | |
|---------|--|--|---|--|---|--|--|
| 30/822C | | | | | 6K4837401J* 6K4959801C* 6K4959801E* | | |
| 30/821C | | | POWER WINDOW LEFT ALZACRISTALLI ELETTRICO SX | | 6K4837402J* 6K4959802C* 6K4959802E* | | |

| Modello Model | Porte Doors | Configurazione Configurations | Foto Pictures | Connettore Connector | Cross OE | Alt. OE | Istruzioni Instructions |
|------------------|----------------|----------------------------------|------------------|-------------------------|----------|---------|----------------------------|
|------------------|----------------|----------------------------------|------------------|-------------------------|----------|---------|----------------------------|

IBIZA II (6K1) 4 D 1993 -> 2002

| | | | | | | | |
|---------|--|--|--|--|--|---|--|
| 30/2213 | | | | | | 6K4837401AA* 6K4837401C* 6K4837401D* 6K4837401H* | |
| 30/2212 | | | | | | 6K4837402AA* 6K4837402C* 6K4837402D* 6K4837402H* | |
| 30/1741 | | | | | 6K4839401B 6K4839401D 6K4839401G | | |
| 30/1740 | | | | | 6K4839402B 6K4839402D 6K4839402G | | |
| 30/1759 | | | | | 6K4839401H 6K4839402 | | |
| 30/1758 | | | | | 6K4839402H 6Q4839402H | | |

IBIZA III (6L1) 2 D 2002 -> 2009

| | | | | | | | |
|--------|--|--|--|--|-----------|--|--|
| 30/982 | | | | | 6L3837461 | | |
| 30/981 | | | | | 6L3837462 | | |

IBIZA III (6L1) 4 D 2002 -> 2009

| | | | | | | | |
|---------|--|--|--|--|--|--|--|
| 30/984 | | | | | 6L4837461 | | |
| 30/983 | | | | | 6L4837462 | | |
| 30/2580 | | | | | 6L4839755A 6L4839755C 6L4839755M | | |
| 30/2579 | | | | | 6L4839756A 6L4839756C 6L4839756M | | |

| Modello Model | Porte Doors | Configurazione Configurations | Foto Pictures | Connettore Connector | Cross OE | Alt. OE | Istruzioni Instructions |
|------------------|----------------|----------------------------------|------------------|-------------------------|----------|---------|----------------------------|
|------------------|----------------|----------------------------------|------------------|-------------------------|----------|---------|----------------------------|

IBIZA IV (6J5, 6P1) 2 D 2008 -> 2017

| | | | | | | | |
|---------|--|--|--|--|-----------|--|--|
| 30/1507 | | | | | 6J3837461 | | |
| 30/1506 | | | | | 6J3837462 | | |

IBIZA IV (6J5, 6P1) 4 D 2008 -> 2017

| | | | | | | | |
|---------|--|--|--|--|------------|--|--|
| 30/1503 | | | | | 6J4837461 | | |
| 30/1502 | | | | | 6J4837462 | | |
| 30/1505 | | | | | 6J4839461A | | |
| 30/1504 | | | | | 6J4839462A | | |

IBIZA V (KJ1, KJG) 4 D 2017 ->

| | | | | | | | |
|---------|--|--|--|--|------------|--|--|
| 30/2634 | | | | | 6F0837461 | | |
| 30/2633 | | | | | 6F0837462 | | |
| 30/2650 | | | | | 6F0839461A | | |
| 30/2649 | | | | | 6F0839462A | | |

INCA (6K9) 4 D 1995 -> 2003

| | | | | | | | |
|--------|--|--|--|--|---|--|--|
| 30/822 | | | | | 6K4837401AA 6K4837401B 6K4837401C 6K4837401D | | |
| 30/821 | | | | | 6K4837402B 6K4837402C 6K4837402D 6K4837402H | | |

| Modello Model | Porte Doors | Configurazione Configurations | Foto Pictures | Connettore Connector | Cross OE | Alt. OE | Istruzioni Instructions |
|------------------|----------------|----------------------------------|------------------|-------------------------|----------|---------|----------------------------|
|------------------|----------------|----------------------------------|------------------|-------------------------|----------|---------|----------------------------|

INCA (6K9) 4 D 1995 -> 2003

| | | | | | | | |
|---------|--|--|--|--|--|---|--|
| 30/2213 | | | | | | 6K4837401AA* 6K4837401C* 6K4837401D* 6K4837401H* | |
| 30/2212 | | | | | | 6K4837402AA* 6K4837402C* 6K4837402D* 6K4837402H* | |

LEON (1M1) 4 D 1999 -> 2006

| | | | | | | | |
|---------|--|--|--|--|------------|-------------|--|
| 30/2225 | | | | | 1M0837461A | | |
| 30/2224 | | | | | 1M0837462A | | |
| 30/1062 | | | | | 1M0837461 | | |
| 30/1061 | | | | | 1M0837462 | | |
| 30/2227 | | | | | 1M0839461A | | |
| 30/2226 | | | | | 1M0839462A | | |
| 30/1422 | | | | | | 1M0839461A* | |
| 30/1421 | | | | | | 1M0839462A* | |

LEON (1P1) 4 D 2005 -> 2013

| | | | | | | | |
|---------|--|--|--|--|------------|--|--|
| 30/1237 | | | | | 1P0837461A | | |
| 30/1236 | | | | | 1P0837462A | | |
| 30/1821 | | | | | 1P0839461A | | |
| 30/1820 | | | | | 1P0839462A | | |

| Modello Model | Porte Doors | Configurazione Configurations | Foto Pictures | Connettore Connector | Cross OE | Alt. OE | Istruzioni Instructions |
|------------------|----------------|----------------------------------|------------------|-------------------------|----------|---------|----------------------------|
|------------------|----------------|----------------------------------|------------------|-------------------------|----------|---------|----------------------------|

LEON (5F1) 4 D 2012 -> 2021

| | | | | | | | |
|---------|--|--|--|--|--------------------------|--|--|
| 30/1897 | | | | | 5F4837461B 5F4837461C | | |
| 30/1896 | | | | | 5F4837462B 5F4837462C | | |
| 30/1899 | | | | | 5F4839461A | | |
| 30/1898 | | | | | 5F4839462A | | |

MII (KF1, KE1) 2 D 2011 ->

| | | | | | | | |
|---------|--|--|--|--|------------|--|--|
| 30/1753 | | | | | | 1S0959802* 1S3837461A* 6RU959802* 1 | |
| 30/1752 | | | | | | 1S3837462A* 6RU959801* 6RU959801000 * | |
| 30/1757 | | | | | 1S3837461A | | |
| 30/1756 | | | | | 1S3837462A | | |

TARRACO (KN2) 4 D 2018 ->

| | | | | | | | |
|---------|--|--|--|--|---------------------------|--|--|
| 30/2638 | | | | | 5NA837461* 5NA837461A* | | |
| 30/2637 | | | | | 5NA837462* 5NA837462A* | | |

TOLEDO I (1L2) 4 D 1991 -> 1999

| | | | | | | | |
|--------|--|--|--|--|--|---------------------------|--|
| 30/858 | | | | | | 1L0837401* 1L0959801* | |
| 30/857 | | | | | | 1L0837402B* 1L0959802* | |

| Modello Model | Porte Doors | Configurazione Configurations | Foto Pictures | Connettore Connector | Cross OE | Alt. OE | Istruzioni Instructions |
|------------------|----------------|----------------------------------|------------------|-------------------------|----------|---------|----------------------------|
|------------------|----------------|----------------------------------|------------------|-------------------------|----------|---------|----------------------------|

TOLEDO I (1L2) 4 D 1991 -> 1999

| | | | | | | | |
|---------|--|--|--|--|--|--------------------------|--|
| 30/7339 | | | | | | 1L0839401* 1L0959811* | |
| 30/7340 | | | | | | 1L0839402* 1L0959812* | |

TOLEDO II (1M2) 4 D 1998 -> 2006

| | | | | | | | |
|---------|--|--|--|--|------------|-------------|--|
| 30/2225 | | | | | 1M0837461A | | |
| 30/2224 | | | | | 1M0837462A | | |
| 30/1062 | | | | | 1M0837461 | | |
| 30/1061 | | | | | 1M0837462 | | |
| 30/2227 | | | | | 1M0839461A | | |
| 30/2226 | | | | | 1M0839462A | | |
| 30/1422 | | | | | | 1M0839461A* | |
| 30/1421 | | | | | | 1M0839462A* | |

TOLEDO III (5P2) 4 D 2004 -> 2009

| | | | | | | | |
|---------|--|--|--|--|------------|--|--|
| 30/1321 | | | | | 5P0837461 | | |
| 30/1320 | | | | | 5P0837462 | | |
| 30/1323 | | | | | 5P0839461A | | |
| 30/1322 | | | | | 5P0839462A | | |

| Modello Model | Porte Doors | Configurazione Configurations | Foto Pictures | Connettore Connector | Cross OE | Alt. OE | Istruzioni Instructions |
|------------------|----------------|----------------------------------|------------------|-------------------------|----------|---------|----------------------------|
|------------------|----------------|----------------------------------|------------------|-------------------------|----------|---------|----------------------------|

TOLEDO IV (KG3) 4 D 2012 -> 2019

| | | | | | | | |
|---------|--|--|--|--|-------------------------|--|--|
| 30/2598 | | | | | 5JA837461 5JA837461A | | |
| 30/2597 | | | | | 5JA837462 5JA837462A | | |
| 30/2600 | | | | | 5JA839461 | | |
| 30/2599 | | | | | 5JA839462 | | |

| Modello Model | Porte Doors | Configurazione Configurations | Foto Pictures | Connettore Connector | Cross OE | Alt. OE | Istruzioni Instructions |
|------------------|----------------|----------------------------------|------------------|-------------------------|----------|---------|----------------------------|
|------------------|----------------|----------------------------------|------------------|-------------------------|----------|---------|----------------------------|

CITIGO (NF1) 2 D 2011 -> 2019

| | | | | | | | |
|---------|--|--|--|--|------------|--|--|
| 30/1753 | | | | | | 1S0959802* 1S3837461A* 6RU959802* 1 | |
| 30/1752 | | | | | | 1S3837462A* 6RU959801* 6RU959801000 * | |
| 30/1757 | | | | | 1S3837461A | | |
| 30/1756 | | | | | 1S3837462A | | |

FABIA I (6Y2) 4 D 1999 -> 2008


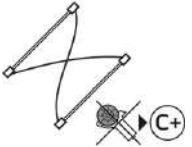



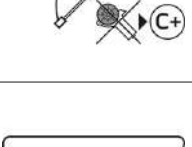
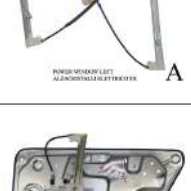


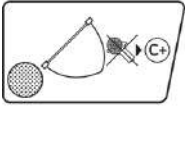



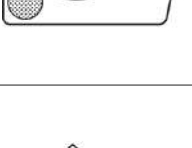



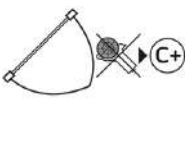






| | | | | | | | |
|---------|--|--|--|--|---|---|--|
| 30/2229 | | | | | 6Y0837461 6Y0837461A 6Y1837461 6Y2837461 | | |
| 30/2228 | | | | | 6Y0837462 6Y0837462A 6Y1837462 6Y2837462 | | |
| 30/1042 | | | | | | 6Y0837461* 6Y0837461A* 6Y1837461* 6Y2837461* | |
| 30/1041 | | | | | | 6Y0837462* 6Y0837462A* 6Y1837462* 6Y2837462* | |
| 30/2233 | | | | | 6Y0839461 6Y0839461A | | |
| 30/2232 | | | | | 6Y0839462 6Y0839462A | | |
| 30/1338 | | | | | | 6Y0839461* 6Y0839461A* | |
| 30/1337 | | | | | | 6Y0839462* 6Y0839462A* | |

FABIA I COMBI (6Y5) 4 D 2000 -> 2007


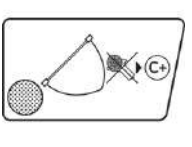







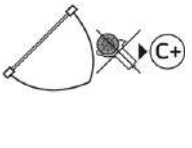






| | | | | | | | |
|---------|--|--|--|--|---|--|--|
| 30/2229 | | | | | 6Y0837461 6Y0837461A 6Y1837461 6Y2837461 | | |
| 30/2228 | | | | | 6Y0837462 6Y0837462A 6Y1837462 6Y2837462 | | |

| Modello Model | Porte Doors | Configurazione Configurations | Foto Pictures | Connettore Connector | Cross OE | Alt. OE | Istruzioni Instructions |
|------------------|----------------|----------------------------------|------------------|-------------------------|----------|---------|----------------------------|
|------------------|----------------|----------------------------------|------------------|-------------------------|----------|---------|----------------------------|


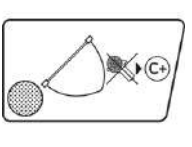



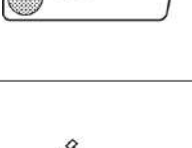



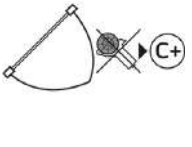






FABIA I COMBI (6Y5) 4 D 2000 -> 2007

| | | | | | | | |
|---------|--|--|--|--|-------------------------|---|--|
| 30/1042 |  |  |  | | | 6Y0837461* 6Y0837461A* 6Y1837461* 6Y2837461* |  |
| 30/1041 |  |  |  | | | 6Y0837462* 6Y0837462A* 6Y1837462* 6Y2837462* |  |
| 30/2233 |  |  |  | | 6Y0839461 6Y0839461A | |  |
| 30/2232 |  |  |  | | 6Y0839462 6Y0839462A | |  |
| 30/1338 |  |  |  | | | 6Y0839461* 6Y0839461A* |  |
| 30/1337 |  |  |  | | | 6Y0839462* 6Y0839462A* |  |

FABIA II (542) 4 D 2006 -> 2014

| | | | | | | | |
|---------|---|---|---|--|-----------|------------|---|
| 30/2231 |  |  |  | | 5J4837461 | |  |
| 30/2230 |  |  |  | | 5J4837462 | |  |
| 30/1533 |  |  |  | | | 5J4837461* |  |
| 30/1532 |  |  |  | | | 5J4837462* |  |

FABIA II COMBI (545) 4 D 2007 -> 2014

| | | | | | | | |
|---------|---|---|---|--|-----------|------------|---|
| 30/2231 |  |  |  | | 5J4837461 | |  |
| 30/2230 |  |  |  | | 5J4837462 | |  |
| 30/1533 |  |  |  | | | 5J4837461* |  |
| 30/1532 |  |  |  | | | 5J4837462* |  |

| Modello Model | Porte Doors | Configurazione Configurations | Foto Pictures | Connettore Connector | Cross OE | Alt. OE | Istruzioni Instructions |
|------------------|----------------|----------------------------------|------------------|-------------------------|----------|---------|----------------------------|
|------------------|----------------|----------------------------------|------------------|-------------------------|----------|---------|----------------------------|

FABIA III (NJ3) 4 D 2014 -> 2021

| | | | | | | | |
|---------|--|--|--|--|--------------------------|--|--|
| 30/2612 | | | | | 6V0837461B 6V0837461C | | |
| 30/2611 | | | | | 6V0837462B 6V0837462C | | |
| 30/2614 | | | | | 6V0839461 | | |
| 30/2613 | | | | | 6V0839462 | | |

FABIA III FAMILIARE (NJ5) 4 D 2014 -> 2022

| | | | | | | | |
|---------|--|--|--|--|--------------------------|--|--|
| 30/2612 | | | | | 6V0837461B 6V0837461C | | |
| 30/2611 | | | | | 6V0837462B 6V0837462C | | |
| 30/2614 | | | | | 6V0839461 | | |
| 30/2613 | | | | | 6V0839462 | | |

FELICIA I (6U1) 2 D 1994 -> 1998


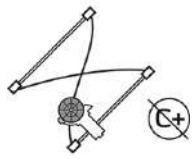
| | | | | | | | |
|---------|--|--|--|--|--|------------|--|
| 30/2363 | | | | | | 6U0837401* | |
| 30/2362 | | | | | | 6U0837402* | |

FELICIA I (6U1) 4 D 1994 -> 1998


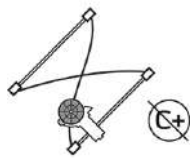


| | | | | | | | |
|---------|--|--|--|--|--|------------|--|
| 30/2363 | | | | | | 6U0837401* | |
| 30/2362 | | | | | | 6U0837402* | |

| Modello Model | Porte Doors | Configurazione Configurations | Foto Pictures | Connettore Connector | Cross OE | Alt. OE | Istruzioni Instructions |
|------------------|----------------|----------------------------------|------------------|-------------------------|----------|---------|----------------------------|
|------------------|----------------|----------------------------------|------------------|-------------------------|----------|---------|----------------------------|


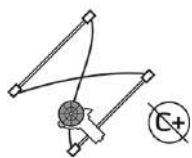



FELICIA I PICK-UP (6UF, 6U7) 2 D 1995 -> 2002

| | | | | | | | |
|---------|---|---|--|--|--|------------|---|
| 30/2363 |  |  |  <small>POWER WINDOW LEFT ALZACRISTALLI ELETTRICO SX</small> |  | | 6U0837401* |  |
| 30/2362 |  | | | | | 6U0837402* | |


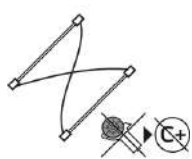




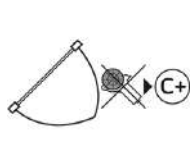



FELICIA II (6U1) 2 D 1998 -> 2001

| | | | | | | | |
|---------|---|---|--|--|--|------------|---|
| 30/2363 |  |  |  <small>POWER WINDOW LEFT ALZACRISTALLI ELETTRICO SX</small> |  | | 6U0837401* |  |
| 30/2362 |  | | | | | 6U0837402* | |

FELICIA II (6U1) 4 D 1998 -> 2001

| | | | | | | | |
|---------|---|--|---|---|--|------------|--|
| 30/2363 |  |  |  <small>POWER WINDOW LEFT ALZACRISTALLI ELETTRICO SX</small> |  | | 6U0837401* |  |
| 30/2362 |  | | | | | 6U0837402* | |

KAROQ (NU7, ND7) 4 D 2017 ->

| | | | | | | | |
|---------|---|---|--|--|-------------------------|--|---|
| 30/2914 |  |  |  <small>POWER WINDOW LEFT ALZACRISTALLI ELETTRICO SX</small> | | 575837461 575837461A | |  |
| 30/2913 |  | | | | 575837462 575837462A | | |
| 30/2686 |  |  |  <small>POWER WINDOW LEFT ALZACRISTALLI ELETTRICO SX</small> | | 575839461 575839461A | |  |
| 30/2685 |  | | | | 575839462 575839462A | | |

KODIAQ I (NS6, NS7, NV7) 4 D 2016 ->


| | | | | | | | |
|---------|---|---|--|--|-------------------------|--|---|
| 30/2708 |  |  |  <small>POWER WINDOW LEFT ALZACRISTALLI ELETTRICO SX</small> | | 565837461 565837462 | |  |
| 30/2707 |  | | | | 565837462 565837462A | | |

| Modello Model | Porte Doors | Configurazione Configurations | Foto Pictures | Connettore Connector | Cross OE | Alt. OE | Istruzioni Instructions |
|------------------|----------------|----------------------------------|------------------|-------------------------|----------|---------|----------------------------|
|------------------|----------------|----------------------------------|------------------|-------------------------|----------|---------|----------------------------|

KODIAQ I (NS6, NS7, NV7) 4 D 2016 ->

| | | | | | | | |
|---------|---|---|--|--|-------------------------|--|---|
| 30/2710 |  |  |  <small>POWER WINDOW LEFT ALZACRISTALLI ELETTRICO SX</small> | | 565839461 565839461A | |  |
| 30/2709 |  | | | | 565839462 565839462A | | |

OCTAVIA I (1U2) 4 D 1996 -> 2010

| | | | | | | | |
|---------|---|---|--|--|--------------------------|----------------------------|---|
| 30/2744 |  |  |  <small>POWER WINDOW LEFT ALZACRISTALLI ELETTRICO SX</small> |  | | 1U0837461A* 1U0837461B* |  |
| 30/2743 |  | | | | | 1U0837462A* 1U0837462B* | |
| 30/1105 |  |  |  <small>POWER WINDOW LEFT ALZACRISTALLI ELETTRICO SX</small> | | 1U0837461A 1U0837461B | |  |
| 30/1104 |  | | | | 1U0837462A 1U0837462B | | |
| 30/1107 |  |  |  <small>POWER WINDOW LEFT ALZACRISTALLI ELETTRICO SX</small> | | 1U0839461A 1U0839461B | |  |
| 30/1106 |  | | | | 1U0839462A 1U0839462B | | |

OCTAVIA I COMBI (1U5) 4 D 1998 -> 2010

| | | | | | | | |
|---------|---|---|--|--|--------------------------|----------------------------|---|
| 30/2744 |  |  |  <small>POWER WINDOW LEFT ALZACRISTALLI ELETTRICO SX</small> |  | | 1U0837461A* 1U0837461B* |  |
| 30/2743 |  | | | | | 1U0837462A* 1U0837462B* | |
| 30/1105 |  |  |  <small>POWER WINDOW LEFT ALZACRISTALLI ELETTRICO SX</small> | | 1U0837461A 1U0837461B | |  |
| 30/1104 |  | | | | 1U0837462A 1U0837462B | | |
| 30/1107 |  |  |  <small>POWER WINDOW LEFT ALZACRISTALLI ELETTRICO SX</small> | | 1U0839461A 1U0839461B | |  |
| 30/1106 |  | | | | 1U0839462A 1U0839462B | | |

| Modello Model | Porte Doors | Configurazione Configurations | Foto Pictures | Connettore Connector | Cross OE | Alt. OE | Istruzioni Instructions |
|------------------|----------------|----------------------------------|------------------|-------------------------|----------|---------|----------------------------|
|------------------|----------------|----------------------------------|------------------|-------------------------|----------|---------|----------------------------|

OCTAVIA II (1Z3) 4 D 2004 -> 2013






| | | | | | | | |
|---------|--|--|--|--|--------------------------|----------------------------|--|
| 30/2235 | | | | | 1Z1837461 1Z183746 | | |
| 30/2234 | | | | | 1Z1837462 1Z2837462 | | |
| 30/1207 | | | | | | 1Z1837461* 1Z2837461* | |
| 30/1206 | | | | | | 1Z1837462* 1Z2837462* | |
| 30/2237 | | | | | 1Z0839461A 1Z0839655A | | |
| 30/2236 | | | | | 1Z0839462A 1Z0839565A | | |
| 30/1291 | | | | | | 1Z0839461A* 1Z0839655A* | |
| 30/1290 | | | | | | 1Z0839462A* 1Z0839565A* | |

OCTAVIA II COMBI (1Z5) 4 D 2004 -> 2013


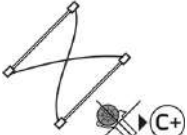




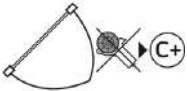



| | | | | | | | |
|---------|--|--|--|--|--------------------------|--------------------------|--|
| 30/2235 | | | | | 1Z1837461 1Z183746 | | |
| 30/2234 | | | | | 1Z1837462 1Z2837462 | | |
| 30/1207 | | | | | | 1Z1837461* 1Z2837461* | |
| 30/1206 | | | | | | 1Z1837462* 1Z2837462* | |
| 30/2237 | | | | | 1Z0839461A 1Z0839655A | | |
| 30/2236 | | | | | 1Z0839462A 1Z0839565A | | |

| Modello Model | Porte Doors | Configurazione Configurations | Foto Pictures | Connettore Connector | Cross OE | Alt. OE | Istruzioni Instructions |
|------------------|----------------|----------------------------------|------------------|-------------------------|----------|---------|----------------------------|
|------------------|----------------|----------------------------------|------------------|-------------------------|----------|---------|----------------------------|


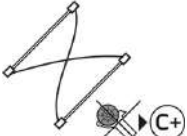




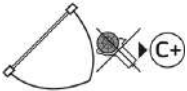



OCTAVIA II COMBI (1Z5) 4 D 2004 -> 2013

| | | | | | | | |
|---------|---|---|---|--|--|----------------------------|---|
| 30/1291 |  |  |  | | | 1Z0839461A* 1Z0839655A* |  |
| 30/1290 |  | | | | | 1Z0839462A* 1Z0839655A* | |

OCTAVIA III (5E3, NL3, NR3) 4 D 2012 -> 2021

| | | | | | | | |
|---------|--|--|--|--|---|--|--|
| 30/2147 |  |  |  | | 5E0837461 5E0837461A 5E0837461B 5E0837461C | |  |
| 30/2146 |  | | | | 5E0837462 5E0837462A 5E0837462B 5E0837462C | | |
| 30/2149 |  |  |  | | 5E0839461 | |  |
| 30/2148 |  | | | | 5E0839462 | | |

OCTAVIA III COMBI (5E5, 5E6) 4 D 2012 -> 2020

| | | | | | | | |
|---------|---|---|---|--|---|--|---|
| 30/2147 |  |  |  | | 5E0837461 5E0837461A 5E0837461B 5E0837461C | |  |
| 30/2146 |  | | | | 5E0837462 5E0837462A 5E0837462B 5E0837462C | | |
| 30/2149 |  |  |  | | 5E0839461 | |  |
| 30/2148 |  | | | | 5E0839462 | | |

RAPID (NH3, NK3, NK6) 4 D 2012 -> 2022

| | | | | | | | |
|---------|---|---|---|--|-------------------------|--|---|
| 30/2598 |  |  |  | | 5JA837461 5JA837461A | |  |
| 30/2597 |  | | | | 5JA837462 5JA837462A | | |

| Modello Model | Porte Doors | Configurazione Configurations | Foto Pictures | Connettore Connector | Cross OE | Alt. OE | Istruzioni Instructions |
|------------------|----------------|----------------------------------|------------------|-------------------------|----------|---------|----------------------------|
|------------------|----------------|----------------------------------|------------------|-------------------------|----------|---------|----------------------------|

RAPID (NH3, NK3, NK6) 4 D 2012 -> 2022


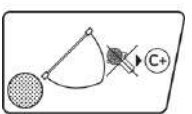



| | | | | | | | |
|---------|---|---|---|-----------|--|--|---|
| 30/2600 |  |  |  <small>POWER WINDOW LEFT ALZACRISTALLI ELETTRICI</small> | 5JA839461 | | |  |
| 30/2599 |  | | | 5JA839462 | | | |

RAPID SPACEBACK (NH1) 4 D 2012 -> 2019

| | | | | | | | |
|---------|---|---|---|-------------------------|--|--|---|
| 30/2598 |  |  |  <small>POWER WINDOW LEFT ALZACRISTALLI ELETTRICI</small> | 5JA837461 5JA837461A | | |  |
| 30/2597 |  | | | 5JA837462 5JA837462A | | | |

| | | | | | | | |
|---------|---|--|--|-----------|--|--|--|
| 30/2600 |  |  |  <small>POWER WINDOW LEFT ALZACRISTALLI ELETTRICI</small> | 5JA839461 | | |  |
| 30/2599 |  | | | 5JA839462 | | | |

ROOMSTER (5J7) 4 D 2006 -> 2015

| | | | | | | | |
|---------|---|---|---|-----------|--|--|---|
| 30/2239 |  |  |  <small>POWER WINDOW LEFT ALZACRISTALLI ELETTRICI</small> | 5J7837461 | | |  |
| 30/2238 |  | | | 5J7837462 | | | |

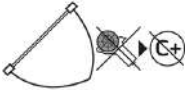

| | | | | | | | |
|---------|---|---|--|-----------|--|--|---|
| 30/2872 |  |  |  <small>OE</small> | 5J7837461 | | |  |
| 30/2871 |  | | | 5J7837462 | | | |

| | | | | | | | |
|---------|---|---|---|--|------------|--|---|
| 30/1535 |  |  |  <small>POWER WINDOW LEFT ALZACRISTALLI ELETTRICI</small> | | 5J7837461* | |  |
| 30/1534 |  | | | | 5J7837462* | | |


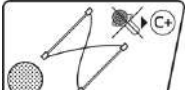








| | | | | | | | |
|---------|---|---|--|-----------|--|--|---|
| 30/2874 |  |  |  <small>OE</small> | 5J7839461 | | |  |
| 30/2873 |  | | | 5J7839462 | | | |

| Modello Model | Porte Doors | Configurazione Configurations | Foto Pictures | Connettore Connector | Cross OE | Alt. OE | Istruzioni Instructions |
|------------------|----------------|----------------------------------|------------------|-------------------------|----------|---------|----------------------------|
|------------------|----------------|----------------------------------|------------------|-------------------------|----------|---------|----------------------------|


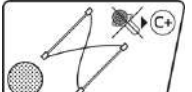














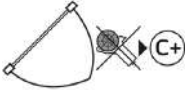



ROOMSTER (5J7) 4 D 2006 -> 2015

| | | | | | | | |
|---------|---|---|---|--|--|------------|---|
| 30/2574 |  |  |  | | | 5J7839461* |  |
| 30/2573 |  | | | | | 5J7839462* | |

SUPERB I (3U4) 4 D 2001 -> 2008


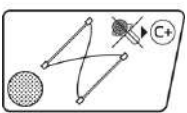




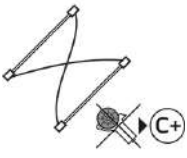





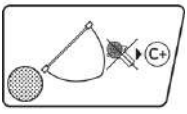




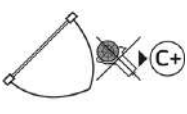




| | | | | | | | |
|---------|---|--|--|--|--|---|--|
| 30/2249 |  |  |  | | | 3B1837461 3B1837462 3B1837656A 3B1837656B |  |
| 30/2248 |  | | | | | 3B1837462 3B1837656A 3B1837656B 3B1837656D | |
| 30/1040 |  |  |  | | | 3B1837461* 3B1837462* 3B1837656A* 3B1837656B* |  |
| 30/1039 |  | | | | | 3B1837462* 3B1837656A* 3B1837656B* 3B1837656D* | |

SUPERB II (3T4) 4 D 2008 -> 2015


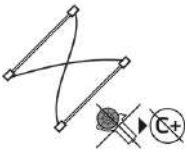




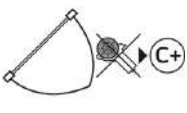



| | | | | | | | |
|---------|---|---|---|--|--|-------------|---|
| 30/2876 |  |  |  | | | 3T0837461A |  |
| 30/2875 |  | | | | | 3T0837462A | |
| 30/2576 |  |  |  | | | 3T0837461A* |  |
| 30/2575 |  | | | | | 3T0837462A* | |
| 30/2878 |  |  |  | | | 3T0839461 |  |
| 30/2877 |  | | | | | 3T0839462 | |
| 30/2578 |  |  |  | | | 3T0839461A* |  |
| 30/2577 |  | | | | | 3T0839462A* | |

| Modello Model | Porte Doors | Configurazione Configurations | Foto Pictures | Connettore Connector | Cross OE | Alt. OE | Istruzioni Instructions |
|------------------|----------------|----------------------------------|------------------|-------------------------|----------|---------|----------------------------|
|------------------|----------------|----------------------------------|------------------|-------------------------|----------|---------|----------------------------|

SUPERB II FAMILIARE (3T5) 4 D 2009 -> 2015

| | | | | | | | |
|---------|---|---|---|----|------------|-------------|---|
| 30/2876 |  |  |  | OE | 3T0837461A | |  |
| 30/2875 |  | | | | 3T0837462A | | |
| 30/2576 |  |  |  | | | 3T0837461A* |  |
| 30/2575 |  | |  | | | 3T0837462A* | |
| 30/2878 |  |  |  | OE | 3T0839461 | |  |
| 30/2877 |  | | | | 3T0839462 | | |
| 30/2578 |  |  |  | | | 3T0839461A* |  |
| 30/2577 |  | |  | | | 3T0839462A* | |

SUPERB III (3V3) 4 D 2015 ->

| | | | | | | | |
|---------|---|---|---|--|------------|--|---|
| 30/2960 |  |  |  | | 3V0837461A | |  |
| 30/2961 |  | | | | 3V0837462A | | |
| 30/2964 |  |  |  | | 3V0839461 | |  |
| 30/2965 |  | | | | 3V0839462 | | |

SUPERB III FAMILIARE (3V5) 4 D 2015 ->


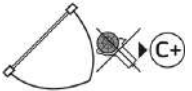




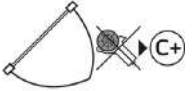



| | | | | | | | |
|---------|---|---|---|--|------------|--|---|
| 30/2960 |  |  |  | | 3V0837461A | |  |
| 30/2961 |  | | | | 3V0837462A | | |

| Modello Model | Porte Doors | Configurazione Configurations | Foto Pictures | Connettore Connector | Cross OE | Alt. OE | Istruzioni Instructions |
|------------------|----------------|----------------------------------|------------------|-------------------------|----------|---------|----------------------------|
|------------------|----------------|----------------------------------|------------------|-------------------------|----------|---------|----------------------------|

SUPERB III FAMILIARE (3V5) 4 D 2015 ->


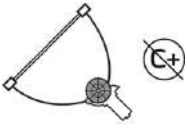




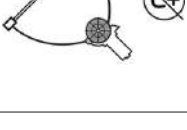

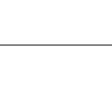

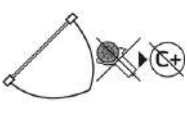







| | | | | | | | |
|---------|---|---|--|--|-----------|--|---|
| 30/2964 |  |  |  <small>POWER WINDOW LEFT ALZACRISTALLI ELETTRICO SX</small> | | 3V0839461 | |  |
| 30/2965 |  | | | | 3V0839462 | | |

YETI (5L) 4 D 2009 -> 2017


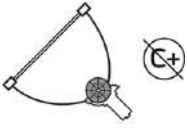




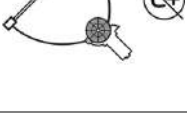



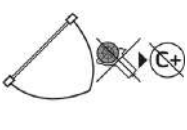







| | | | | | | | |
|---------|--|--|---|--|--|-------------|--|
| 30/1737 |  |  |  <small>POWER WINDOW LEFT ALZACRISTALLI ELETTRICO SX</small> | | | 5L0837461* |  |
| 30/1736 |  | | | | | 5L0837462* | |
| 30/1739 |  |  |  <small>POWER WINDOW LEFT ALZACRISTALLI ELETTRICO SX</small> | | | 5L0839461A* |  |
| 30/1738 |  | | | | | 5L0839462A* | |

| Modello Model | Porte Doors | Configurazione Configurations | Foto Pictures | Connettore Connector | Cross OE | Alt. OE | Istruzioni Instructions |
|------------------|----------------|----------------------------------|------------------|-------------------------|----------|---------|----------------------------|
|------------------|----------------|----------------------------------|------------------|-------------------------|----------|---------|----------------------------|


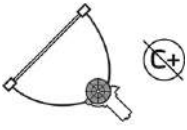




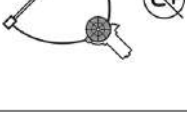

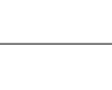

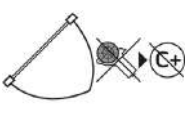







CABRIO (450) 2 D 2000 -> 2004

| | | | | | | | |
|---------|---|---|---|--|--|---|---|
| 30/1372 |  |  |  |  | | Q0002678V003 000000* Q0002678V004 000000* |  |
| 30/1371 |  |  |  |  | | Q0002684V003 0200000* Q0002684V004 000000* | |
| 30/1386 |  |  |  |  | Q0002691V002 000000 Q0002691V003 000000 | |  |
| 30/1385 |  |  |  |  | Q0002702V002 000000 Q0002702V003 000000 | | |

CITY-COUPE (450) 2 D 1998 -> 2004

| | | | | | | | |
|---------|---|---|---|--|--|---|---|
| 30/1372 |  |  |  |  | | Q0002678V003 000000* Q0002678V004 000000* |  |
| 30/1371 |  |  |  |  | | Q0002684V003 0200000* Q0002684V004 000000* | |
| 30/1386 |  |  |  |  | Q0002691V002 000000 Q0002691V003 000000 | |  |
| 30/1385 |  |  |  |  | Q0002702V002 000000 Q0002702V003 000000 | | |

CROSSBLADE (450) 2 D 2002 -> 2003

| | | | | | | | |
|---------|---|---|---|--|--|---|---|
| 30/1372 |  |  |  |  | | Q0002678V003 000000* Q0002678V004 000000* |  |
| 30/1371 |  |  |  |  | | Q0002684V003 0200000* Q0002684V004 000000* | |
| 30/1386 |  |  |  |  | Q0002691V002 000000 Q0002691V003 000000 | |  |
| 30/1385 |  |  |  |  | Q0002702V002 000000 Q0002702V003 000000 | | |

| Modello Model | Porte Doors | Configurazione Configurations | Foto Pictures | Connettore Connector | Cross OE | Alt. OE | Istruzioni Instructions |
|------------------|----------------|----------------------------------|------------------|-------------------------|----------|---------|----------------------------|
|------------------|----------------|----------------------------------|------------------|-------------------------|----------|---------|----------------------------|

FORFOUR (454) 4 D 2004 -> 2006

| | | | | | | | |
|---------|--|--|--|--|-------------|--------------|--|
| 30/2568 | | | | | A4547200146 | | |
| 30/2567 | | | | | A4547200046 | | |
| 30/2566 | | | | | | A4547200146* | |
| 30/2565 | | | | | | A4547200046* | |

FORFOUR HATCHBACK (453) 4 D 2014 ->

| | | | | | | | |
|---------|--|--|--|--|--|-----------------------------|--|
| 30/3100 | | | | | | 807215092R* A4537203300* | |
| 30/3101 | | | | | | 807208353R* A4537203400* | |

FORTWO (450) CABRIO 2 D 2004 -> 2007


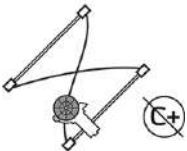






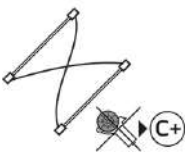




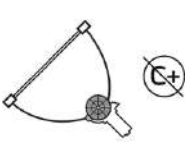




| | | | | | | | |
|---------|--|--|--|--|--|---|--|
| 30/1372 | | | | | | Q0002678V003 000000* Q0002678V004 000000* | |
| 30/1371 | | | | | | Q0002684V003 0200000* Q0002684V004 000000* | |
| 30/1386 | | | | | | Q0002691V002 000000 Q0002691V003 000000 | |
| 30/1385 | | | | | | Q0002702V002 000000 Q0002702V003 000000 | |

FORTWO (451) 2 D 2007 ->

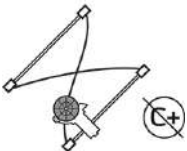



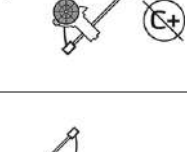



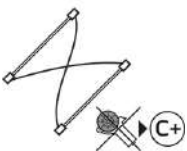


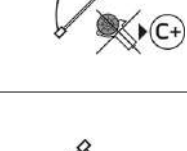



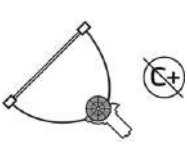






| | | | | | | | |
|---------|--|--|--|--|--|------------------------------|--|
| 30/1659 | | | | | | A4517200546* A4517200746* | |
| 30/1658 | | | | | | A4517200646* A4517200846* | |

| Modello Model | Porte Doors | Configurazione Configurations | Foto Pictures | Connettore Connector | Cross OE | Alt. OE | Istruzioni Instructions |
|------------------|----------------|----------------------------------|------------------|-------------------------|----------|---------|----------------------------|
|------------------|----------------|----------------------------------|------------------|-------------------------|----------|---------|----------------------------|

ACTYON I 4 D 2005 ->

| | | | | | | | |
|---------|--|--|---|--|--|--|--|
| 30/7344 |  |  |  <small>POWER WINDOW LEFT ALZACRISTALLI ELETTRICO SX</small> |  | | 7231109000* 7231109001* 7231109002* 7231109003* |  |
| 30/7342 |  |  |  <small>POWER WINDOW LEFT ALZACRISTALLI ELETTRICO SX</small> | | | 7232109000* 7232109001* 7232109002* 7232109003* |  |
| 30/7341 |  |  |  <small>POWER WINDOW LEFT ALZACRISTALLI ELETTRICO SX</small> | | 7231109000 7231109001 7231109002 7231109003 | |  |
| 30/7343 |  |  |  <small>POWER WINDOW LEFT ALZACRISTALLI ELETTRICO SX</small> | | 7232109000 7232109001 7232109002 7232109003 | |  |
| 30/2221 |  |  |  <small>POWER WINDOW LEFT ALZACRISTALLI ELETTRICO SX</small> | | | 7331131000* 7331131001* 8810021001* 8810021002* |  |
| 30/2220 |  |  |  <small>POWER WINDOW LEFT ALZACRISTALLI ELETTRICO SX</small> | | | 7332131000* 7332131001* 8810009111* 8810021011* |  |

KYRON 4 D 2005 -> 2014

| | | | | | | | |
|---------|---|---|--|--|--|--|---|
| 30/7344 |  |  |  <small>POWER WINDOW LEFT ALZACRISTALLI ELETTRICO SX</small> | | | 7231109000* 7231109001* 7231109002* 7231109003* |  |
| 30/7342 |  |  |  <small>POWER WINDOW LEFT ALZACRISTALLI ELETTRICO SX</small> | | | 7232109000* 7232109001* 7232109002* 7232109003* |  |
| 30/7341 |  |  |  <small>POWER WINDOW LEFT ALZACRISTALLI ELETTRICO SX</small> | | 7231109000 7231109001 7231109002 7231109003 | |  |
| 30/7343 |  |  |  <small>POWER WINDOW LEFT ALZACRISTALLI ELETTRICO SX</small> | | 7232109000 7232109001 7232109002 7232109003 | |  |
| 30/7345 |  |  |  <small>POWER WINDOW LEFT ALZACRISTALLI ELETTRICO SX</small> | | | 7331109000* 7331109002* 8810021001* 8810021002* |  |
| 30/7346 |  |  |  <small>POWER WINDOW LEFT ALZACRISTALLI ELETTRICO SX</small> | | | 7332109000* 7332109002* 8810009111* 8810021011* |  |

TIVOLI 4 D 2015 ->

| | | | | | | | |
|---------|---|---|--|--|--|----------------------------|---|
| 30/2896 |  |  |  <small>POWER WINDOW LEFT ALZACRISTALLI ELETTRICO SX</small> | | | 7231135000* 8811035000* |  |
| 30/2895 |  |  |  <small>POWER WINDOW LEFT ALZACRISTALLI ELETTRICO SX</small> | | | 7232135000* 8813035000* |  |

| Modello Model | Porte Doors | Configurazione Configurations | Foto Pictures | Connettore Connector | Cross OE | Alt. OE | Istruzioni Instructions |
|------------------|----------------|----------------------------------|------------------|-------------------------|----------|---------|----------------------------|
|------------------|----------------|----------------------------------|------------------|-------------------------|----------|---------|----------------------------|

TIVOLI 4 D 2015 ->

| | | | | | | | |
|---------|--|--|---|--|------------|----------------------------|--|
| 30/2922 | | | POWER WINDOW LEFT ALZACRISTALLI ELETTRICO SX | | 7231135000 | | |
| 30/2921 | | | | | 7232135000 | | |
| 30/2898 | | | POWER WINDOW LEFT ALZACRISTALLI ELETTRICO SX | | | 7331135000* 8814035000* | |
| 30/2897 | | | | | | 7332135000* 8815035000* | |
| 30/2956 | | | POWER WINDOW LEFT ALZACRISTALLI ELETTRICO SX | | | 7331135000* | |
| 30/2957 | | | | | | 7332135000* | |

XLV SUV 4 D 2016 ->

| | | | | | | | |
|---------|--|--|---|--|------------|----------------------------|--|
| 30/2896 | | | POWER WINDOW LEFT ALZACRISTALLI ELETTRICO SX | | | 7231135000* 8811035000* | |
| 30/2895 | | | | | | 7232135000* 8813035000* | |
| 30/2922 | | | POWER WINDOW LEFT ALZACRISTALLI ELETTRICO SX | | 7231135000 | | |
| 30/2921 | | | | | 7232135000 | | |
| 30/2898 | | | POWER WINDOW LEFT ALZACRISTALLI ELETTRICO SX | | | 7331135000* 8814035000* | |
| 30/2897 | | | | | | 7332135000* 8815035000* | |
| 30/2956 | | | POWER WINDOW LEFT ALZACRISTALLI ELETTRICO SX | | | 7331135000* | |
| 30/2957 | | | | | | 7332135000* | |

| Modello Model | Porte Doors | Configurazione Configurations | Foto Pictures | Connettore Connector | Cross OE | Alt. OE | Istruzioni Instructions |
|------------------|----------------|----------------------------------|------------------|-------------------------|----------|---------|----------------------------|
|------------------|----------------|----------------------------------|------------------|-------------------------|----------|---------|----------------------------|

FORESTER (SF) 4 D 1997 -> 2002

| | | | | | | | |
|---------|--|--|--|--|--|--|--|
| 30/7347 | | | | | | 63112FC010* 63112FC110* 63112FC111* 63113FC010* | |
| 30/7348 | | | | | | 63112FC000* 63112FC100* 63112FC101* 63113FC000* | |

FORESTER (SG) 4 D 2002 -> 2012

| | | | | | | | |
|---------|--|--|--|--|--|--|--|
| 30/2344 | | | | | | 61188SA011* 61222SA010* 61222SA011* 61222SA012* | |
| 30/2343 | | | | | | 61188SA001* 61222SA000* 61222SA001* 61222SA002* | |
| 30/2346 | | | | | | 62188SA010* 62188SA011* 62188SA012* 62222SA010* | |
| 30/2345 | | | | | | 62188SA000* 62188SA001* 62188SA002* 62222SA000* | |

JUSTY II (JMA, MS) 2 D 1995 -> 2003


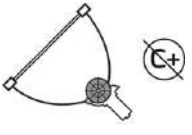







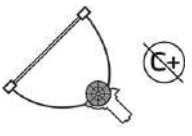






| | | | | | | | |
|---------|--|--|--|--|--|--|--|
| 30/7349 | | | | | 8340260B1000 0 8340260B1100 0 | | |
| 30/7350 | | | | | 8340160B1000 0 8340160B1100 0 | | |

LEGACY IV (BL) 4 D 2003 -> 2015

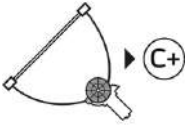





| | | | | | | | |
|---------|-----|--|--|--|--|--|--|
| 30/7354 | RHD | | | | | 61041AJ000 61041AJ00A 61041AJ101 61041AJ2 | |
| 30/7352 | | | | | | 61041AJ000 61041AJ00A 61041AJ101 61041AJ200 | |
| 30/7355 | | | | | | 61042AJ010 61042AJ011 61042AJ210 61042AJ211 | |
| 30/7356 | | | | | | 61042AJ000 61042AJ001 61042AJ200 61042AJ201 | |

| Modello Model | Porte Doors | Configurazione Configurations | Foto Pictures | Connettore Connector | Cross OE | Alt. OE | Istruzioni Instructions |
|------------------|----------------|----------------------------------|------------------|-------------------------|----------|---------|----------------------------|
|------------------|----------------|----------------------------------|------------------|-------------------------|----------|---------|----------------------------|

LEGACY IV STATION WAGON (BP) 4 D 2003 -> 2009

| | | | | | | | |
|---------|-----|---|---|--|--|--|---|
| 30/7354 | RHD |  |  |  |  | 61041AJ000 61041AJ00A 61041AJ101 61041AI2 |  |
| 30/7352 | |  | |  |  | 61041AJ000 61041AJ00A 61041AJ101 61041AI200 | |
| 30/7355 | |  |  |  |  | 61042AJ010 61042AJ011 61042AJ210 61042AI211 |  |
| 30/7356 | |  | |  |  | 61042AJ000 61042AJ001 61042AJ200 61042AI201 | |


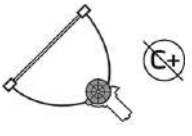







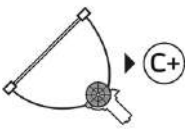






LEGACY V (BM) 4 D 2009 ->

| | | | | | | | |
|---------|-----|--|--|---|--|--|--|
| 30/7351 | |  |  |  |  | 61041AJ01B 61041AJ03B 61041AJ131 |  |
| 30/7353 | RHD |  | |  |  | 61041AJ01B 61041AJ03B 61041AJ131 | |

LEGACY V STATION WAGON (BM) 4 D 2008 -> 2014

| | | | | | | | |
|---------|-----|---|---|---|--|--|---|
| 30/7351 | |  |  |  |  | 61041AJ01B 61041AJ03B 61041AJ131 |  |
| 30/7353 | RHD |  | |  |  | 61041AJ01B 61041AJ03B 61041AJ131 | |

OUTBACK (BR) 4 D 2009 ->

| | | | | | | | |
|---------|-----|---|---|---|--|--|---|
| 30/7354 | RHD |  |  |  |  | 61041AJ000 61041AJ00A 61041AJ101 61041AI2 |  |
| 30/7352 | |  | |  |  | 61041AJ000 61041AJ00A 61041AJ101 61041AI200 | |
| 30/7351 | |  |  |  |  | 61041AJ01B 61041AJ03B 61041AJ131 |  |
| 30/7353 | RHD |  | |  |  | 61041AJ01B 61041AJ03B 61041AJ131 | |


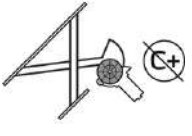






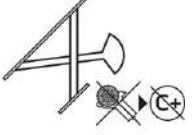




| Modello Model | Porte Doors | Configurazione Configurations | Foto Pictures | Connettore Connector | Cross OE | Alt. OE | Istruzioni Instructions |
|------------------|----------------|----------------------------------|------------------|-------------------------|----------|---------|----------------------------|
|------------------|----------------|----------------------------------|------------------|-------------------------|----------|---------|----------------------------|

OUTBACK (BR) 4 D 2009 ->


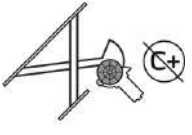





| | | | | | | | |
|---------|--|--|--|--|--|--|--|
| 30/7355 | | | | | 61042AJ010 61042AJ011 61042AJ210 61042AI211 | | |
| 30/7356 | | | | | 61042AJ000 61042AJ001 61042AJ200 61042AI201 | | |

| Modello Model | Porte Doors | Configurazione Configurations | Foto Pictures | Connettore Connector | Cross OE | Alt. OE | Istruzioni Instructions |
|------------------|----------------|----------------------------------|------------------|-------------------------|----------|---------|----------------------------|
|------------------|----------------|----------------------------------|------------------|-------------------------|----------|---------|----------------------------|


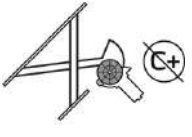





ALTO VII (GF) 4 D 2009 ->

| | | | | | | | |
|---------|---|---|---|--|--|---|---|
| 30/7357 |  |  |  |  | 83402M68K10 83402M68K100 83402M68K11 | |  |
| 30/7358 |  | |  | | 83401M68K10 83401M68K100 83401M68K11 | | |
| 30/1879 |  |  |  | | | 83402M68K10* 83402M68K100* 83402M68K11* |  |
| 30/1878 |  | |  | | | 83401M68K10* 83401M68K100* 83401M68K11* | |


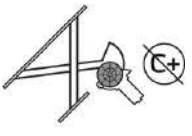





BALENO (EG) 2 D 1995 -> 2009

| | | | | | | | |
|---------|--|--|--|---|--|--|--|
| 30/2750 |  |  |  |  | 8340260G0000 0 8340260G0100 0 | |  |
| 30/2749 |  | |  | | 8340160G0000 0 8340160G0100 0 | | |

BALENO (EG) 4 D 1995 -> 2009

| | | | | | | | |
|---------|---|---|---|--|--|--|---|
| 30/2750 |  |  |  |  | 8340260G0000 0 8340260G0100 0 | |  |
| 30/2749 |  | |  | | 8340160G0000 0 8340160G0100 0 | | |

FORSA 2 D 1984 -> 1988

| | | | | | | | |
|---------|---|---|---|--|--|--|---|
| 30/7349 |  |  |  |  | 8340260B1000 0 8340260B1100 0 | |  |
| 30/7350 |  | |  | | 8340160B1000 0 8340160B1100 0 | | |

GRAND VITARA I (FT, HT) 2 D 1998 -> 2008

| | | | | | | | |
|---------|---|---|---|--|--|--|---|
| 30/1169 |  |  |  |  | 8340265D1000 0 8340267D1000 0 | |  |
| 30/1168 |  | |  | | 8340165D1000 0 8340167D1000 0 | | |

| Modello Model | Porte Doors | Configurazione Configurations | Foto Pictures | Connettore Connector | Cross OE | Alt. OE | Istruzioni Instructions |
|------------------|----------------|----------------------------------|------------------|-------------------------|----------|---------|----------------------------|
|------------------|----------------|----------------------------------|------------------|-------------------------|----------|---------|----------------------------|

GRAND VITARA I (FT, HT) 4 D 1998 -> 2008

| | | | | | | | |
|---------|--|--|--|--|-------------------|-------------------|--|
| 30/1169 | | | | | 8340265D1000 0 | | |
| 30/1168 | | | | | 8340165D1000 0 | 8340167D1000 0 | |
| 30/1171 | | | | | 8350265D1000 0 | | |
| 30/1170 | | | | | 8350165D1000 0 | | |

GRAND VITARA II (JT, TE, TD) 2 D 2005 ->

| | | | | | | | |
|---------|--|--|--|--|--|--------------------|--|
| 30/3094 | | | | | | 8340265J01000 * | |
| 30/3095 | | | | | | 8340165J01000 * | |

GRAND VITARA II (JT, TE, TD) 4 D 2005 ->

| | | | | | | | |
|---------|--|--|--|--|--|--------------------|--|
| 30/3094 | | | | | | 8340265J01000 * | |
| 30/3095 | | | | | | 8340165J01000 * | |
| 30/3028 | | | | | | 8350265J00000 * | |
| 30/3027 | | | | | | 8350265J01000 * | |

IGNIS I (FH) 4 D 2000 -> 2005

| | | | | | | | |
|---------|--|--|--|--|--|--------------------|--|
| 30/3074 | | | | | | 8340281G0000 0* | |
| 30/3073 | | | | | | 8344062B0000 0* | |

| Modello Model | Porte Doors | Configurazione Configurations | Foto Pictures | Connettore Connector | Cross OE | Alt. OE | Istruzioni Instructions |
|------------------|----------------|----------------------------------|------------------|-------------------------|----------|---------|----------------------------|
|------------------|----------------|----------------------------------|------------------|-------------------------|----------|---------|----------------------------|


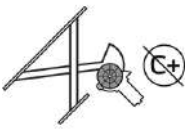

IGNIS II (MH) 4 D 2003 ->

| | | | | | | | |
|---------|---|---|--|--|--|--|---|
| 30/3074 |  |  |  POWER WINDOW LEFT ALZACRISTALLI ELETTRICO SX | | | 8340281G0000 0* |  |
| 30/3073 |  | | | | | 8340176G0000 0* 8340181G0000 0* | |

IGNIS III (MF) 4 D 2016 ->

| | | | | | | | |
|---------|---|---|--|--|--|--------------------|---|
| 30/3020 |  |  |  POWER WINDOW LEFT ALZACRISTALLI ELETTRICO SX | | | 8350262R1000 0* |  |
| 30/3019 |  | | | | | 8350162R1000 0* | |

JIMNY (SN) 2 D 1998 ->

| | | | | | | | |
|---------|---|--|--|---|--|---------------------------------|--|
| 30/1989 |  |  |  |  | | 8340281A1000 0 8346081A10 |  |
| 30/1988 |  | | | | | 8340181A1000 0 8343081A10 | |

SIDEKICK 2 D 1988 -> 1998

| | | | | | | | |
|---------|---|---|--|--|--|--|---|
| 30/2135 |  |  |  POWER WINDOW LEFT ALZACRISTALLI ELETTRICO SX | | | 8340281A1000 0* 8342081A1000 0* |  |
| 30/2134 |  | | | | | 8340181A1000 0* 8341081A1000 0* | |

SIDEKICK 4 D 1988 -> 1998


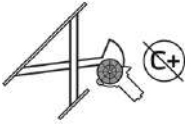





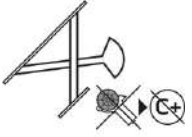




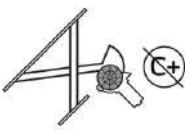




| | | | | | | | |
|---------|---|---|--|--|--|----------------------------------|---|
| 30/2125 |  |  |  POWER WINDOW LEFT ALZACRISTALLI ELETTRICO SX |  | | 8340262A0000 0 83402A62A00 |  |
| 30/2124 |  | | | | | 8340162A0000 0 83401A62A00 | |

SIDEKICK 4 D 1988 -> 1998


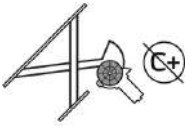




| | | | | | | | |
|---------|---|---|--|--|--|-------------------|---|
| 30/1165 |  |  |  POWER WINDOW LEFT ALZACRISTALLI ELETTRICO SX |  | | 8340257B0000 0 |  |
| 30/1164 |  | | | | | 8340157B0000 0 | |

| Modello Model | Porte Doors | Configurazione Configurations | Foto Pictures | Connettore Connector | Cross OE | Alt. OE | Istruzioni Instructions |
|------------------|----------------|----------------------------------|------------------|-------------------------|----------|---------|----------------------------|
|------------------|----------------|----------------------------------|------------------|-------------------------|----------|---------|----------------------------|

SPLASH (EX) 4 D 2008 ->

| | | | | | | | |
|---------|--|---|---|--|---|--|--|
| 30/1470 |  |  |  POWER WINDOW LEFT ALZACRISTALLI ELETTRICO SX |  | 4700399 4708799 4711475 71743448 | |  |
| 30/1469 |  | | | | 4700401 4708798 4711476 71743447 | | |
| 30/2169 |  |  |  POWER WINDOW LEFT ALZACRISTALLI ELETTRICO SX | | 140332 4708803 71750981 93193629 | |  |
| 30/2168 |  | | | | 140333 4708802 71750980 93193628 | | |
| 30/7257 |  |  |  POWER WINDOW LEFT ALZACRISTALLI ELETTRICO SX |  | 8354051K0000 0 | |  |
| 30/7258 |  | | | | 8351051K0000 0 | | |

SWIFT II (EA, MA) 2 D 1989 -> 2005

| | | | | | | | |
|---------|---|---|--|--|--|--|---|
| 30/7349 |  |  |  POWER WINDOW LEFT ALZACRISTALLI ELETTRICO SX |  | 8340260B1000 0 8340260B1100 0 | |  |
| 30/7350 |  | | | | 8340160B1000 0 8340160B1100 0 | | |

SWIFT II (EA, MA) 4 D 1989 -> 2005


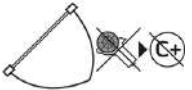




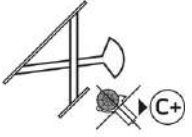



| | | | | | | | |
|---------|---|---|--|--|--|--|---|
| 30/3074 |  |  |  POWER WINDOW LEFT ALZACRISTALLI ELETTRICO SX | | 8340281G0000 0* 8344062B0000 0* | |  |
| 30/3073 |  | | | | 8340176G0000 0* 8340181G0000 0* | | |

SWIFT III (MZ, EZ) 4 D 2005 ->


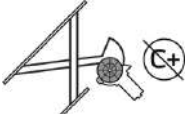





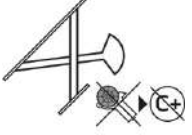




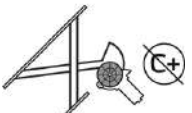




| | | | | | | | |
|---------|---|---|--|--|--|--|---|
| 30/3044 |  |  |  POWER WINDOW LEFT ALZACRISTALLI ELETTRICO SX | | 8344063J10000 * 8341063J10000 * | |  |
| 30/3043 |  | | | | 8341063J10000 * 8341063J30000 * | | |

| Modello Model | Porte Doors | Configurazione Configurations | Foto Pictures | Connettore Connector | Cross OE | Alt. OE | Istruzioni Instructions |
|------------------|----------------|----------------------------------|------------------|-------------------------|----------|---------|----------------------------|
|------------------|----------------|----------------------------------|------------------|-------------------------|----------|---------|----------------------------|

SWIFT V (AZ) 4 D 2017 ->

| | | | | | | | |
|---------|---|---|---|--|--|--|---|
| 30/2756 |  |  |  POWER WINDOW RIGHT ALZACRISTALLI ELETTRICO SX | | 8340252R1000 0 8340252R1100 0 | |  |
| 30/2755 |  | | | | 8340152R0000 0 8340152R0100 0 | | |
| 30/2788 |  |  |  POWER WINDOW LEFT ALZACRISTALLI ELETTRICO SX | | 8350252R0000 0 | |  |
| 30/2787 |  | | | | 8350152R0000 0 | | |

SX4 (EY, GY) 4 D 2006 ->

| | | | | | | | |
|---------|---|---|---|--|--|--|---|
| 30/1470 |  |  |  POWER WINDOW RIGHT ALZACRISTALLI ELETTRICO SX |  | 4700399 4708799 4711475 71743448 | |  |
| 30/1469 |  | | | | 4700401 4708798 4711476 71743447 | | |
| 30/2169 |  |  |  POWER WINDOW LEFT ALZACRISTALLI ELETTRICO SX | | 140332 4708803 71750981 93193629 | |  |
| 30/2168 |  | | | | 140333 4708802 71750980 93193628 | | |
| 30/1472 |  |  |  POWER WINDOW RIGHT ALZACRISTALLI ELETTRICO SX |  | 71768018 71768283 8350279J10000 8350279I11000 | |  |
| 30/1471 |  | | | | 71768017 71768282 8350179J10000 8350179I11000 | | |

VITARA (ET, TA) 2 D 1988 -> 2002


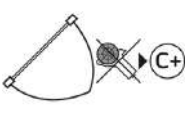




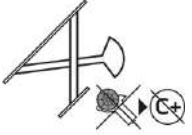



| | | | | | | | |
|---------|---|---|--|--|----------------------------------|--|---|
| 30/2125 |  |  |  POWER WINDOW LEFT ALZACRISTALLI ELETTRICO SX |  | 8340262A0000 0 83402A62A00 | |  |
| 30/2124 |  | | | | 8340162A0000 0 83401A62A00 | | |

| Modello Model | Porte Doors | Configurazione Configurations | Foto Pictures | Connettore Connector | Cross OE | Alt. OE | Istruzioni Instructions |
|------------------|----------------|----------------------------------|------------------|-------------------------|----------|---------|----------------------------|
|------------------|----------------|----------------------------------|------------------|-------------------------|----------|---------|----------------------------|


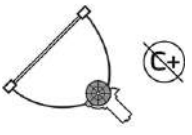




VITARA (ET, TA) 4 D 1988 -> 2002

| | | | | | | | |
|---------|---|---|--|--|-------------------|--|---|
| 30/1165 |  |  |  <small>POWER WINDOW LEFT ALZACRISTALLI ELETTRICO SX</small> |  | 8340257B0000 0 | |  |
| 30/1164 |  | | | | 8340157B0000 0 | | |
| 30/1167 |  |  |  <small>POWER WINDOW LEFT ALZACRISTALLI ELETTRICO SX</small> |  | 8350257B0000 0 | |  |
| 30/1166 |  | | | | 8350157B0000 0 | | |

VITARA (LY) 4 D 2015 ->








| | | | | | | | |
|---------|---|---|--|--|---|--|---|
| 30/2712 |  |  |  <small>POWER WINDOW LEFT ALZACRISTALLI ELETTRICO SX</small> | | 8340254P02* 8340254P1000 0* 8340254P1100 | |  |
| 30/2711 |  | | | | 8340154P0000 0* 8340154P0100 0* | | |
| 30/2786 |  |  |  <small>POWER WINDOW LEFT ALZACRISTALLI ELETTRICO SX</small> | | 8350254P1000 0 | |  |
| 30/2785 |  | | | | 8350154P1000 0 | | |

WAGON R+ (MM) 4 D 1999 ->


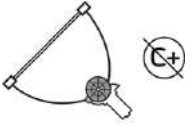





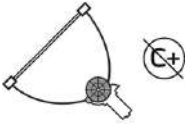




| | | | | | | | |
|--------|---|---|--|--|--|--|---|
| 30/854 |  |  |  <small>POWER WINDOW LEFT ALZACRISTALLI ELETTRICO SX</small> |  | 4701074 4707411 9206373 9215911 | |  |
| 30/853 |  | | | | 4701073 4707410 9206371 9215910 | | |

| Modello Model | Porte Doors | Configurazione Configurations | Foto Pictures | Connettore Connector | Cross OE | Alt. OE | Istruzioni Instructions |
|------------------|----------------|----------------------------------|------------------|-------------------------|----------|---------|----------------------------|
|------------------|----------------|----------------------------------|------------------|-------------------------|----------|---------|----------------------------|


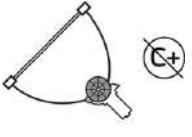





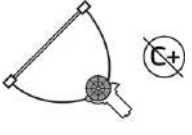




INDICA VISTA 4 D 2008 ->

| | | | | | | | |
|---------|--|---|---|--|--------------|--|--|
| 30/7367 |  |  |  <small>POWER WINDOW LEFT ALZACRISTALLI ELETTRICI 5X</small> |  | | |  |
| 30/7368 |  | | | | | | |
| 30/1805 |  |  |  <small>POWER WINDOW LEFT ALZACRISTALLI ELETTRICI 6E</small> |  | 267872500115 | |  |
| 30/1804 |  | | | | 267872500116 | | |
| 30/7369 |  |  |  <small>POWER WINDOW LEFT ALZACRISTALLI ELETTRICI 6E</small> |  | | |  |
| 30/7370 |  | | | | | | |

INDICA (40_V2) 4 D 1998 ->

| | | | | | | | |
|---------|---|---|--|--|------------------------------|--|---|
| 30/1807 |  |  |  <small>POWER WINDOW LEFT ALZACRISTALLI ELETTRICI 6E</small> |  | 267872500175 267872500183 | |  |
| 30/1806 |  | | | | 267872500176 267872500184 | | |
| 30/7361 |  |  |  <small>POWER WINDOW LEFT ALZACRISTALLI ELETTRICI 6E</small> |  | 267873500111 | |  |
| 30/7362 |  | | | | 267873500112 | | |

INDIGO (4_V2) 4 D 2003 ->

| | | | | | | | |
|---------|---|---|--|--|------------------------------|--|---|
| 30/1807 |  |  |  <small>POWER WINDOW LEFT ALZACRISTALLI ELETTRICI 6E</small> |  | 267872500175 267872500183 | |  |
| 30/1806 |  | | | | 267872500176 267872500184 | | |
| 30/7361 |  |  |  <small>POWER WINDOW LEFT ALZACRISTALLI ELETTRICI 6E</small> |  | 267873500111 | |  |
| 30/7362 |  | | | | 267873500112 | | |

| Modello Model | Porte Doors | Configurazione Configurations | Foto Pictures | Connettore Connector | Cross OE | Alt. OE | Istruzioni Instructions |
|------------------|----------------|----------------------------------|------------------|-------------------------|----------|---------|----------------------------|
|------------------|----------------|----------------------------------|------------------|-------------------------|----------|---------|----------------------------|

SAFARI (42_FD) 4 D 1998 ->

| | | | | | | | |
|---------|--|--|--|--|--------------|--|--|
| 30/7363 | | | | | 269972500166 | | |
| 30/7364 | | | | | 269972500167 | | |
| 30/7365 | | | | | 269973500141 | | |
| 30/7366 | | | | | 269973500144 | | |

XENON PICK-UP 2 D 2006 ->

| | | | | | | | |
|---------|--|--|--|--|--------------|--|--|
| 30/2348 | | | | | 289472500103 | | |
| 30/2347 | | | | | 289472500104 | | |

XENON PICK-UP 4 D 2006 ->

| | | | | | | | |
|---------|--|--|--|--|--------------|--|--|
| 30/2348 | | | | | 289472500103 | | |
| 30/2347 | | | | | 289472500104 | | |

| Modello Model | Porte Doors | Configurazione Configurations | Foto Pictures | Connettore Connector | Cross OE | Alt. OE | Istruzioni Instructions |
|------------------|----------------|----------------------------------|------------------|-------------------------|----------|---------|----------------------------|
|------------------|----------------|----------------------------------|------------------|-------------------------|----------|---------|----------------------------|

MODEL S (5YJS) 4 D 2012 ->

| | | | | | | | |
|---------|--|--|--|--|--|----------------------------|--|
| 30/3048 | | | | | | 600655100G* 600655100L* | |
| 30/3047 | | | | | | 600665100G* 600665100L* | |
| 30/3050 | | | | | | 600633400L* | |
| 30/3049 | | | | | | 600637700L* | |

| Modello Model | Porte Doors | Configurazione Configurations | Foto Pictures | Connettore Connector | Cross OE | Alt. OE | Istruzioni Instructions |
|------------------|----------------|----------------------------------|------------------|-------------------------|----------|---------|----------------------------|
|------------------|----------------|----------------------------------|------------------|-------------------------|----------|---------|----------------------------|

AURIS (_E15_) 2 D 2006 -> 2012

| | | | | | | | |
|---------|--|--|--|--|--|-------------|--|
| 30/2015 | | | | | | 6982002330* | |
| 30/2014 | | | | | | 6981002320* | |

AURIS (_E15_) 4 D 2006 -> 2012

| | | | | | | | |
|---------|--|--|--|--|--|-------------|--|
| 30/2015 | | | | | | 6982002330* | |
| 30/2014 | | | | | | 6981002320* | |

AVENSIS (_T22_) 4 D 1997 -> 2003

| | | | | | | | |
|---------|-----|--|--|--|--|--|--|
| 30/1380 | RHD | | | | | 6982005030 6982005031 | |
| 30/1379 | LHD | | | | | 6981005030 6981005031 | |
| 30/1378 | LHD | | | | | 6982005040* 6982005041* | |
| 30/1377 | RHD | | | | | 6981005040* 6981005041* | |
| 30/7371 | | | | | | 6984005060 6984005070 6984005080 | |
| 30/7372 | | | | | | 6983005060 6983005070 6983005080 | |

AVENSIS (_T22_) STATION WAGON 4 D 1997 -> 2003

| | | | | | | | |
|---------|-----|--|--|--|--|--------------------------|--|
| 30/1380 | RHD | | | | | 6982005030 6982005031 | |
| 30/1379 | LHD | | | | | 6981005030 6981005031 | |

| Modello Model | Porte Doors | Configurazione Configurations | Foto Pictures | Connettore Connector | Cross OE | Alt. OE | Istruzioni Instructions |
|------------------|----------------|----------------------------------|------------------|-------------------------|----------|---------|----------------------------|
|------------------|----------------|----------------------------------|------------------|-------------------------|----------|---------|----------------------------|

AVENSIS (_T22_) STATION WAGON 4 D 1997 -> 2003

| | | | | | | | |
|---------|-----|--|--|--|--|--|--|
| 30/1378 | LHD | | | | | 6982005040* 6982005041* | |
| 30/1377 | RHD | | | | | 6981005040* 6981005041* | |
| 30/7371 | | | | | | 6984005060 6984005070 6984005080 | |
| 30/7372 | | | | | | 6983005060 6983005070 6983005080 | |

AVENSIS (_T25_) 4 D 2003 -> 2008

| | | | | | | | |
|---------|--|--|--|--|--|-------------|--|
| 30/1749 | | | | | | 6982005050* | |
| 30/1748 | | | | | | 6981005050* | |
| 30/1823 | | | | | | 6984005100* | |
| 30/1822 | | | | | | 6983005100* | |

AVENSIS (_T25_) STATION WAGON 4 D 2003 -> 2008

| | | | | | | | |
|---------|--|--|--|--|--|-------------|--|
| 30/1749 | | | | | | 6982005050* | |
| 30/1748 | | | | | | 6981005050* | |
| 30/1823 | | | | | | 6984005100* | |
| 30/1822 | | | | | | 6983005100* | |

| Modello Model | Porte Doors | Configurazione Configurations | Foto Pictures | Connettore Connector | Cross OE | Alt. OE | Istruzioni Instructions |
|------------------|----------------|----------------------------------|------------------|-------------------------|----------|---------|----------------------------|
|------------------|----------------|----------------------------------|------------------|-------------------------|----------|---------|----------------------------|

AVENSIS (_T27_) 4 D 2008 -> 2018

| | | | | | | | |
|---------|--|--|--|--|--|----------------------------|--|
| 30/1833 | | | | | | 6982005070* 6982005071* | |
| 30/1832 | | | | | | 6981005070* 6981005071* | |
| 30/7373 | | | | | | | |
| 30/7374 | | | | | | | |
| 30/1825 | | | | | | 6984005130* 6984005131* | |
| 30/1824 | | | | | | 6983005130* 6983005131* | |

AVENSIS (_T27_) STATION WAGON 4 D 2008 -> 2018


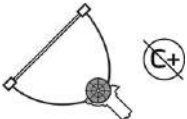




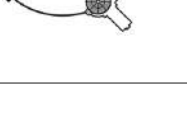
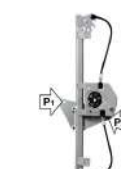


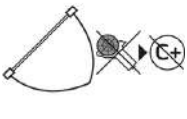
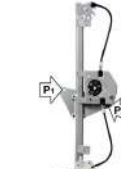






| | | | | | | | |
|---------|--|--|--|--|--|----------------------------|--|
| 30/1833 | | | | | | 6982005070* 6982005071* | |
| 30/1832 | | | | | | 6981005070* 6981005071* | |
| 30/7373 | | | | | | | |
| 30/7374 | | | | | | | |
| 30/1825 | | | | | | 6984005130* 6984005131* | |
| 30/1824 | | | | | | 6983005130* 6983005131* | |

AYGO (_B1_) 2 D 2005 -> 2014

| | | | | | | | |
|---------|--|--|--|--|----------------------|--|--|
| 30/1356 | | | | | 698200H020 9221T8 | | |
| 30/1355 | | | | | 698100H020 9222T6 | | |

| Modello Model | Porte Doors | Configurazione Configurations | Foto Pictures | Connettore Connector | Cross OE | Alt. OE | Istruzioni Instructions |
|------------------|----------------|----------------------------------|------------------|-------------------------|----------|---------|----------------------------|
|------------------|----------------|----------------------------------|------------------|-------------------------|----------|---------|----------------------------|



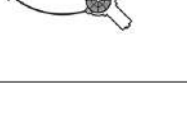




AYGO (_B1_) 2 D 2005 -> 2014

| | | | | | | | |
|---------|---|---|---|--|------------------------------------|------------------------|---|
| 30/2796 |  |  |  |  | 698200H020 9221T8 B000178480 | |  |
| 30/2795 |  |  |  |  | 698100H020 9222T6 B000178380 | | |
| 30/1374 |  |  |  |  | | 698200H020* 9221T8* |  |
| 30/1373 |  |  |  |  | | 698100H020* 9222T6* | |

AYGO (_B1_) 4 D 2005 -> 2014

| | | | | | | | |
|---------|---|---|---|--|------------------------------------|------------------------|---|
| 30/1356 |  |  |  |  | 698200H020 9221T8 | |  |
| 30/1355 |  |  |  |  | 698100H020 9222T6 | | |
| 30/2796 |  |  |  |  | 698200H020 9221T8 B000178480 | |  |
| 30/2795 |  |  |  |  | 698100H020 9222T6 B000178380 | | |
| 30/1374 |  |  |  |  | | 698200H020* 9221T8* |  |
| 30/1373 |  |  |  |  | | 698100H020* 9222T6* | |

AYGO (_B4_) 2 D 2014 ->





















| | | | | | | | |
|---------|---|---|---|--|--|--|---|
| 30/2800 |  |  |  |  | 698200H071 B000878480 B001019980 | |  |
| 30/2799 |  |  |  |  | 698100H100 B000878280 B001019580 | | |
| 30/269B |  |  |  |  | 698200H080 B000878580 B001020080 | |  |
| 30/269 |  |  |  |  | 698100H081 B000878380 B001019680 | | |

| Modello Model | Porte Doors | Configurazione Configurations | Foto Pictures | Connettore Connector | Cross OE | Alt. OE | Istruzioni Instructions |
|------------------|----------------|----------------------------------|------------------|-------------------------|----------|---------|----------------------------|
|------------------|----------------|----------------------------------|------------------|-------------------------|----------|---------|----------------------------|

AYGO (_B4_) 4 D 2014 ->

| | | | | | | | |
|---------|---|---|---|--|--|--|---|
| 30/2798 |  |  |  |  | 698200H030 698200H031 698200H110 B000848480 | |  |
| 30/2797 |  |  |  |  | 698100H030 698100H031 698100H120 B000848280 | |  |
| 30/2338 |  |  |  |  | 698200H030 698200H031 698200H110 B000848480 | |  |
| 30/2337 |  |  |  |  | 698100H030 698100H031 698100H120 B000848280 | |  |
| 30/268B |  |  |  |  | 698200H040 698200H041 B000848580 B001019480 | |  |
| 30/268 |  |  |  |  | 698100H041 698100H130 B000848380 B001019880 | |  |
| 30/2263 |  |  |  |  | 698200H030* 698200H031* 698200H110* B000848480* | |  |
| 30/2262 |  |  |  |  | 698100H030* 698100H031* 698100H120* B000848280* | |  |

C-HR (_X1_) 4 D 2016 ->

| | | | | | | | |
|---------|---|---|---|--|--|-------------|---|
| 30/2764 |  |  |  |  | | 69820F4010* |  |
| 30/2763 |  |  |  |  | | 69810F4010* |  |
| 30/2766 |  |  |  |  | | 69840F4010* |  |
| 30/2765 |  |  |  |  | | 69830F4010* |  |

CARINA E VI (_T19_) 4 D 1992 -> 1997

| | | | | | | | |
|---------|---|---|---|--|--|--|---|
| 30/1545 |  |  |  |  | 6980220230 6982005010 6982020290 6982020300 | |  |
| 30/1544 |  |  |  |  | 6980120210 6981005010 6981020270 6981020280 | |  |

| Modello Model | Porte Doors | Configurazione Configurations | Foto Pictures | Connettore Connector | Cross OE | Alt. OE | Istruzioni Instructions |
|------------------|----------------|----------------------------------|------------------|-------------------------|----------|---------|----------------------------|
|------------------|----------------|----------------------------------|------------------|-------------------------|----------|---------|----------------------------|

CARINA E VI SPORTSWAGON (T19_) 4 D 1992 -> 1997

| | | | | | | | |
|---------|--|--|--|--|--|--|--|
| 30/1545 | | | | | 6980220230 6982005010 6982020290 6982020300 | | |
| 30/1544 | | | | | 6980120210 6981005010 6981020270 6981020280 | | |

COROLLA (_E10_) 4 D 1991 -> 1999

| | | | | | | | |
|---------|--|--|--|--|------------|--|--|
| 30/7377 | | | | | 6982012390 | | |
| 30/7378 | | | | | 6981012390 | | |

COROLLA (_E11_) 4 D 1995 -> 2003

| | | | | | | | |
|---------|-----|--|--|--|--|----------------------------|--|
| 30/7375 | RHD | | | | | 6980212170* 8572012220* | |
| 30/7376 | LHD | | | | | 6980112170* 8571012220* | |

COROLLA (_E11_) STATION WAGON 4 D 1997 -> 2001

| | | | | | | | |
|---------|-----|--|--|--|--|----------------------------|--|
| 30/7375 | RHD | | | | | 6980212170* 8572012220* | |
| 30/7376 | LHD | | | | | 6980112170* 8571012220* | |

COROLLA (_E12_) 2 D 2001 -> 2008



| | | | | | | | |
|---------|--|--|--|--|-------------|--|--|
| 30/1881 | | | | | 6982002130* | | |
| 30/1880 | | | | | 6981002130* | | |

COROLLA (_E12_) 4 D 2001 -> 2008

| | | | | | | | |
|---------|--|--|--|--|-------------|--|--|
| 30/1881 | | | | | 6982002130* | | |
| 30/1880 | | | | | 6981002130* | | |

| Modello Model | Porte Doors | Configurazione Configurations | Foto Pictures | Connettore Connector | Cross OE | Alt. OE | Istruzioni Instructions |
|------------------|----------------|----------------------------------|------------------|-------------------------|----------|---------|----------------------------|
|------------------|----------------|----------------------------------|------------------|-------------------------|----------|---------|----------------------------|

COROLLA (_E12_) 4 D 2001 -> 2008

| | | | | | | | |
|---------|---|---|--|--|--|----------------------------|---|
| 30/1883 |  |  |  POWER WINDOW LEFT ALZACRISTALLI ELETTRICO SIN. | | | 6984002090* 6984002120* |  |
| 30/1882 |  | | | | | 6983002090* 6983002120* | |

COROLLA (_E12_) STATION WAGON 4 D 2001 -> 2008

| | | | | | | | |
|---------|---|---|--|--|--|----------------------------|---|
| 30/1883 |  |  |  POWER WINDOW LEFT ALZACRISTALLI ELETTRICO SIN. | | | 6984002090* 6984002120* |  |
| 30/1882 |  | | | | | 6983002090* 6983002120* | |


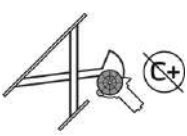




COROLLA VERSO (_E12_) 4 D 2001 -> 2007

| | | | | | | | |
|---------|---|--|---|--|--|------------|--|
| 30/2700 |  |  |  POWER WINDOW LEFT ALZACRISTALLI ELETTRICO SIN. | | | 6980213020 |  |
| 30/2699 |  | | | | | | |


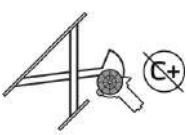




FUNCRUISER 4 D 1994 -> 2000

| | | | | | | | |
|---------|---|---|--|--|--|--------------------------|---|
| 30/7379 |  |  |  POWER WINDOW LEFT ALZACRISTALLI ELETTRICO SIN. |  | | 6982042040 6982042041 |  |
| 30/7380 |  | | | | | | |

HILUX V PICK-UP (LN_, KZN1_, VZN1_) 2 D 1998 -> 2001

| | | | | | | | |
|---------|---|---|--|--|--|---|---|
| 30/7385 |  |  |  POWER WINDOW LEFT ALZACRISTALLI ELETTRICO SIN. |  | | 6980235010 6980289111 J6982004010 |  |
| 30/7386 |  | | | | | | |

HILUX V PICK-UP (LN_, KZN1_, VZN1_) 4 D 1998 -> 2001

| | | | | | | | |
|---------|---|---|--|--|--|---|---|
| 30/7385 |  |  |  POWER WINDOW LEFT ALZACRISTALLI ELETTRICO SIN. |  | | 6980235010 6980289111 J6982004010 |  |
| 30/7386 |  | | | | | | |

| Modello Model | Porte Doors | Configurazione Configurations | Foto Pictures | Connettore Connector | Cross OE | Alt. OE | Istruzioni Instructions |
|------------------|----------------|----------------------------------|------------------|-------------------------|----------|---------|----------------------------|
|------------------|----------------|----------------------------------|------------------|-------------------------|----------|---------|----------------------------|

HILUX VII (N1_, N2_, N3_) 2 D 2004 -> 2016

| | | | | | | | |
|---------|-----|--|--|--|--|--------------------------|--|
| 30/7381 | RHD | | | | | 698200K010 698200K011 | |
| 30/7382 | LHD | | | | | 698100K040 698100K041 | |

HILUX VII (N1_, N2_, N3_) 4 D 2004 -> 2016

| | | | | | | | |
|---------|-----|--|--|--|--|--------------------------|--|
| 30/7381 | RHD | | | | | 698200K010 698200K011 | |
| 30/7382 | LHD | | | | | 698100K040 698100K041 | |

| | | | | | | | |
|---------|--|--|--|--|--|--------------------------|--|
| 30/7383 | | | | | | 698400K030 698400K031 | |
| 30/7384 | | | | | | 698300K030 698300K031 | |

IQ (J1_) 2 D 2008 -> 2015

| | | | | | | | |
|---------|--|--|--|--|--|--|--|
| 30/1751 | | | | | | 6980274012* 6982074010* 6982074011* 8572074010* | |
| 30/1750 | | | | | | 6981074020* 6981074021* 6981074022* 8571074020* | |

PRIUS (W2_) 4 D 2003 -> 2010

| | | | | | | | |
|---------|--|--|--|--|--|------------|--|
| 30/3036 | | | | | | 6980252070 | |
| 30/3035 | | | | | | 6980152070 | |

PRIUS (W3_) 4 D 2008 -> 2016

| | | | | | | | |
|---------|--|--|--|--|--|------------|--|
| 30/3036 | | | | | | 6980252070 | |
| 30/3035 | | | | | | 6980152070 | |

| Modello Model | Porte Doors | Configurazione Configurations | Foto Pictures | Connettore Connector | Cross OE | Alt. OE | Istruzioni Instructions |
|------------------|----------------|----------------------------------|------------------|-------------------------|----------|---------|----------------------------|
|------------------|----------------|----------------------------------|------------------|-------------------------|----------|---------|----------------------------|

PRIUS PLUS (_W4_) 4 D 2011 ->

| | | | | | | | |
|---------|---|---|--|--|------------|--|---|
| 30/3036 |  |  |  POWER WINDOW LEFT ALZACRISTALLI ELETTRICO SX | | 6980252070 | |  |
| 30/3035 |  | | | | 6980152070 | | |


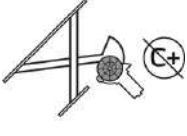




RAV 4 I (_A1_) 2 D 1994 -> 2003

| | | | | | | | |
|---------|---|---|--|--|--|--|---|
| 30/7387 |  |  |  POWER WINDOW LEFT ALZACRISTALLI ELETTRICO SX |  | 6982042010 6982042012 6982042013 | |  |
| 30/7388 |  | | | | 6981042010 6981042012 6981042013 | | |

RAV 4 I (_A1_) 4 D 1994 -> 2003


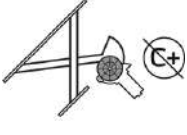




| | | | | | | | |
|---------|---|--|---|---|--------------------------|--|--|
| 30/7379 |  |  |  POWER WINDOW LEFT ALZACRISTALLI ELETTRICO SX |  | 6982042040 6982042041 | |  |
| 30/7380 |  | | | | 6981042040 6981042041 | | |

RAV 4 II (_A2_) 2 D 2000 -> 2005

| | | | | | | | |
|---------|--|---|--|--|----------------------------|--|---|
| 30/1747 | RHD  |  |  POWER WINDOW LEFT ALZACRISTALLI ELETTRICO SX |  | 6980242060* 8572032150* | |  |
| 30/1746 | LHD  | | | | 6980142060* 8571042070* | | |

| | | | | | | | |
|---------|---|---|--|--|------------|--|---|
| 30/1835 |  |  |  POWER WINDOW LEFT ALZACRISTALLI ELETTRICO SX | | 6980242060 | |  |
| 30/1834 |  | | | | 6980142060 | | |

RAV 4 II (_A2_) 4 D 2000 -> 2005

| | | | | | | | |
|---------|--|---|--|--|----------------------------|--|---|
| 30/1747 | RHD  |  |  POWER WINDOW LEFT ALZACRISTALLI ELETTRICO SX |  | 6980242060* 8572032150* | |  |
| 30/1746 | LHD  | | | | 6980142060* 8571042070* | | |

| Modello Model | Porte Doors | Configurazione Configurations | Foto Pictures | Connettore Connector | Cross OE | Alt. OE | Istruzioni Instructions |
|------------------|----------------|----------------------------------|------------------|-------------------------|----------|---------|----------------------------|
|------------------|----------------|----------------------------------|------------------|-------------------------|----------|---------|----------------------------|

RAV 4 II (_A2_) 4 D 2000 -> 2005

| | | | | | | | |
|---------|--|--|--|--|------------|----------------------------|--|
| 30/1835 | | | | | 6980242060 | | |
| 30/1834 | | | | | 6980142060 | | |
| 30/7389 | | | | | | 6980442020* 8571012230* | |
| 30/7390 | | | | | | 8572032150* 6980342020* | |
| 30/1953 | | | | | 6980442020 | | |
| 30/1952 | | | | | 6980342020 | | |

RAV 4 III (_A3_) 4 D 2005 -> 2014


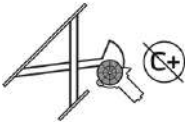









| | | | | | | | |
|---------|-----|--|--|--|------------|----------------------------|--|
| 30/2175 | RHD | | | | | 6980252080* 8572035140* | |
| 30/2174 | LHD | | | | | 6980152080* 8571035180* | |
| 30/2173 | | | | | 6980252080 | | |
| 30/2172 | | | | | 6980152080 | | |

RAV 4 IV (_A4_) 4 D 2012 -> 2019


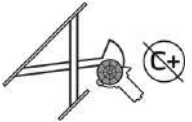




| | | | | | | | |
|---------|--|--|--|--|--------------------------|---|--|
| 30/2774 | | | | | | 6980230280* 6980242040* 8572035140* | |
| 30/2773 | | | | | | 6980130280* 6980142040* 8571035180* | |
| 30/2768 | | | | | 6980230280 6980242040 | | |
| 30/2767 | | | | | 6980130280 6980142040 | | |

| Modello Model | Porte Doors | Configurazione Configurations | Foto Pictures | Connettore Connector | Cross OE | Alt. OE | Istruzioni Instructions |
|------------------|----------------|----------------------------------|------------------|-------------------------|----------|---------|----------------------------|
|------------------|----------------|----------------------------------|------------------|-------------------------|----------|---------|----------------------------|


RAV 4 IV (_A4_) 4 D 2012 -> 2019

| | | | | | | | |
|---------|---|---|--|--|------------|----------------------------|---|
| 30/2784 |  |  |  POWER WINDOW REGIST ALZACRISTALLI ELETTRICO DX |  | | 6980442050* 8571035180* |  |
| 30/2783 |  | | | | | 6980342050* 8572035140* | |
| 30/2776 |  |  |  POWER WINDOW REGIST ALZACRISTALLI ELETTRICO DX | | 6980442050 | |  |
| 30/2775 |  | | | | 6980342050 | | |

RUNNER II (N1_) 4 D 1987 -> 1996

| | | | | | | | |
|---------|--|--|--|---|---|--|--|
| 30/7385 |  |  |  |  | 6980235010 6980289111 J6982004010 | |  |
| 30/7386 |  | | | | 6980135010 6980189113 J6981004010 | | |

TACOMA PICK-UP (_N1_) 2 D 2004 -> 2016

| | | | | | | | |
|---------|---|---|--|--|------------|--|---|
| 30/7391 |  |  |  POWER WINDOW LEFT ALZACRISTALLI ELETTRICO SX |  | 6980235110 | |  |
| 30/7392 |  | | | | 6980135110 | | |

URBAN CRUISER (_P1_) 4 D 2007 -> 2016

| | | | | | | | |
|---------|---|---|--|--|------------|--|---|
| 30/3036 |  |  |  POWER WINDOW LEFT ALZACRISTALLI ELETTRICO SX | | 6980252070 | |  |
| 30/3035 |  | | | | 6980152070 | | |

VERSO (_R2_) 4 D 2009 -> 2015

| | | | | | | | |
|---------|---|---|---|--|--|----------------------------|---|
| 30/2139 |  |  |  POWER WINDOW REGIST ALZACRISTALLI ELETTRICO | | | 698200F020* 698200F021* |  |
| 30/2138 |  | | | | | 698100F020* 698100F021* | |

| Modello Model | Porte Doors | Configurazione Configurations | Foto Pictures | Connettore Connector | Cross OE | Alt. OE | Istruzioni Instructions |
|------------------|----------------|----------------------------------|------------------|-------------------------|----------|---------|----------------------------|
|------------------|----------------|----------------------------------|------------------|-------------------------|----------|---------|----------------------------|



YARIS - (_P1_) FRANCE 2 D 1999 -> 2005

| | | | | | | | |
|---------|---|---|---|--|------------|--|---|
| 30/1745 |  |  |  |  | 698200D010 | |  |
| 30/1744 |  | | | | 698100D010 | | |


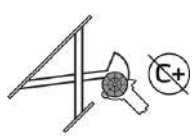




YARIS - FRANCE (_P1_) 4 D 1999 -> 2005

| | | | | | | | |
|---------|---|---|---|--|------------|--|---|
| 30/1745 |  |  |  |  | 698200D010 | |  |
| 30/1744 |  | | | | 698100D010 | | |

YARIS - JAPAN (_P1_) 2 D 1999 -> 2005

| | | | | | | | |
|---------|---|--|--|---|-------------|--|--|
| 30/1509 |  |  |  |  | 6980252010* | |  |
| 30/1508 |  | | | | 8572052020* | | |

YARIS - JAPAN (_P1_) 4 D 1999 -> 2005

| | | | | | | | |
|---------|---|---|---|--|-------------|--|---|
| 30/1509 |  |  |  |  | 6980252010* | |  |
| 30/1508 |  | | | | 8572052020* | | |

YARIS 30/7393

| | | | | | | | |
|---------|---|---|---|--|-------------|--|---|
| 30/7393 |  |  |  |  | 6980452010* | |  |
| 30/7394 |  | | | | 8571052020* | | |

YARIS (P13_) 2 D 2010 -> 2020

| | | | | | | | | |
|---------|-----|---|---|---|--|------------|--|---|
| 30/2350 | RHD |  |  |  |  | 698200D300 | |  |
| 30/2349 | LHD |  | | | | 698100D300 | | |

| Modello Model | Porte Doors | Configurazione Configurations | Foto Pictures | Connettore Connector | Cross OE | Alt. OE | Istruzioni Instructions |
|------------------|----------------|----------------------------------|------------------|-------------------------|----------|---------|----------------------------|
|------------------|----------------|----------------------------------|------------------|-------------------------|----------|---------|----------------------------|

YARIS (P13_) 2 D 2010 -> 2020

| | | | | | | | |
|---------|-----|--|--|--|--|----------------------------|--|
| 30/2097 | LHD | | | | | 698200D310* 698200D440* | |
| 30/2096 | RHD | | | | | 698100D290* 698100D430* | |

YARIS (P13_) 4 D 2010 -> 2020

| | | | | | | | |
|---------|-----|--|--|--|--|----------------------------|--|
| 30/2350 | RHD | | | | | 698200D300 | |
| 30/2349 | LHD | | | | | 698100D300 | |
| 30/2097 | LHD | | | | | 698200D310* 698200D440* | |
| 30/2096 | RHD | | | | | 698100D290* 698100D430* | |
| 30/2352 | | | | | | 698400D220 | |
| 30/2351 | | | | | | 698300D220 | |

YARIS / VIOS (_P9_) 2 D 2005 -> 2013

| | | | | | | | |
|---------|-----|--|--|--|--|----------------------------|--|
| 30/2990 | RHD | | | | | 8572035140* 6980252110* | |
| 30/2989 | LHD | | | | | 6980152120* 8571035180* | |
| 30/2137 | | | | | | 6980252110 | |
| 30/2136 | | | | | | 6980152120 | |

| Modello Model | Porte Doors | Configurazione Configurations | Foto Pictures | Connettore Connector | Cross OE | Alt. OE | Istruzioni Instructions |
|------------------|----------------|----------------------------------|------------------|-------------------------|----------|---------|----------------------------|
|------------------|----------------|----------------------------------|------------------|-------------------------|----------|---------|----------------------------|

YARIS / VIOS (_P9_) 4 D 2005 -> 2013


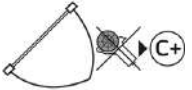








| | | | | | | | |
|---------|-----|--|--|--|--|-------------|--|
| 30/2990 | RHD | | | | | 8572035140* | |
| 30/2989 | LHD | | | | | 6980252110* | |
| 30/2137 | RHD | | | | | 6980252110 | |
| 30/2136 | LHD | | | | | 6980152120 | |

YARIS VERSO - JAPAN (P2_) 4 D 1999 -> 2005


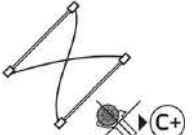




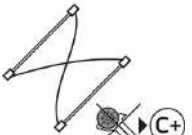



| | | | | | | | |
|---------|-----|--|--|--|--|-------------|--|
| 30/1743 | RHD | | | | | 6980252020* | |
| 30/1742 | LHD | | | | | 6980152020* | |
| | | | | | | 6981052040* | |
| | | | | | | 8571052030* | |

| Modello Model | Porte Doors | Configurazione Configurations | Foto Pictures | Connettore Connector | Cross OE | Alt. OE | Istruzioni Instructions |
|------------------|----------------|----------------------------------|------------------|-------------------------|----------|---------|----------------------------|
|------------------|----------------|----------------------------------|------------------|-------------------------|----------|---------|----------------------------|


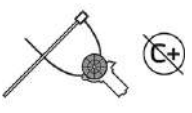



AMAROK (2H_, S1B_) 4 D 2010 ->

| | | | | | | | |
|---------|---|---|---|--|---|--|---|
| 30/7395 |  |  |  | | 2H0837401 2H0837401A 2H0837401B 2H0837401C | |  |
| 30/7396 |  | | | | 2H0837402 2H0837402A 2H0837402B 2H0837402C | | |
| 30/7397 |  |  |  | | 2H7839401 2H7839401A 2H7839401B 2H7839401C | |  |
| 30/7398 |  | | | | 2H7839402 2H7839402A 2H7839402B 2H7839402C | | |


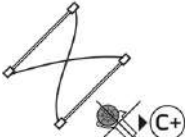



ARTEON (3H7, 3H8) 4 D 2017 ->

| | | | | | | | |
|---------|---|---|---|--|--------------------------|--|---|
| 30/3138 |  |  |  | | 3G8837461B | |  |
| 30/3139 |  | | | | 3G8837462B | | |
| 30/3140 |  |  |  | | 3G8839461B 3G8839461A | |  |
| 30/3141 |  | | | | 3G8839462B 3G8839462A | | |

BEETLE CLASSIC CAR / KAEFER 2 D 1947 -> 2003


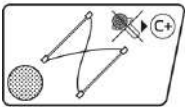



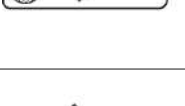











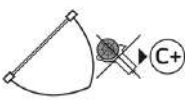






| | | | | | | | |
|---------|---|---|---|--|--|-------------|---|
| 30/2746 |  |  |  | | | 111837501K* |  |
| 30/2745 |  | | | | | 111837502K* | |

BEETLE I CABRIOLET (1Y7) 2 D 2002 -> 2012


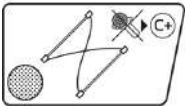



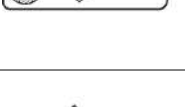











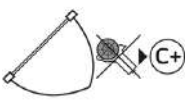






| | | | | | | | |
|---------|---|---|---|--|--------------------------|--|---|
| 30/2469 |  |  |  | | 1Y0837461B 1Y0837461F | |  |
| 30/2468 |  | | | | 1Y0837462B 1Y0837462F | | |

| Modello Model | Porte Doors | Configurazione Configurations | Foto Pictures | Connettore Connector | Cross OE | Alt. OE | Istruzioni Instructions |
|------------------|----------------|----------------------------------|------------------|-------------------------|----------|---------|----------------------------|
|------------------|----------------|----------------------------------|------------------|-------------------------|----------|---------|----------------------------|







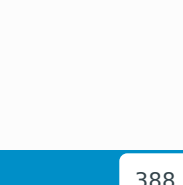
BORA (1J2) 4 D 1998 -> 2013

| | | | | | | | |
|---------|--|--|---|--|--|--|--|
| 30/2243 |  |  |  <small>POWER WINDOW LEFT ALZACRISTALLI ELETTRICI SX</small> | | 1J4837461B 1J4837461D 1J4837461F 1I4837461H | |  |
| 30/2242 |  |  |  <small>POWER WINDOW LEFT ALZACRISTALLI ELETTRICI SX</small> | | 1J4837462B 1J4837462D 1J4837462F 1I4837462H | |  |
| 30/948 |  |  |  <small>POWER WINDOW LEFT ALZACRISTALLI ELETTRICI SX</small> | | 1J4837461B* 1J4837461D* 1J4837461F* 1I4837461H* | |  |
| 30/947 |  |  |  <small>POWER WINDOW LEFT ALZACRISTALLI ELETTRICI SX</small> | | 1J4837462B* 1J4837462D* 1J4837462F* 1I4837462H* | |  |
| 30/1305 |  |  |  <small>POWER WINDOW LEFT ALZACRISTALLI ELETTRICI SX</small> | | 1J4839461B* 1J4839461C* 1J4839461F* 1I4839729A* | |  |
| 30/1304 |  |  |  <small>POWER WINDOW LEFT ALZACRISTALLI ELETTRICI SX</small> | | 1J4839462B* 1J4839462C* 1J4839462F* 1I4839730A* | |  |

BORA VARIANT (1J6) 4 D 1999 -> 2005

| | | | | | | | |
|---------|---|---|--|--|--|--|---|
| 30/2243 |  |  |  <small>POWER WINDOW LEFT ALZACRISTALLI ELETTRICI SX</small> | | 1J4837461B 1J4837461D 1J4837461F 1I4837461H | |  |
| 30/2242 |  |  |  <small>POWER WINDOW LEFT ALZACRISTALLI ELETTRICI SX</small> | | 1J4837462B 1J4837462D 1J4837462F 1I4837462H | |  |
| 30/948 |  |  |  <small>POWER WINDOW LEFT ALZACRISTALLI ELETTRICI SX</small> | | 1J4837461B* 1J4837461D* 1J4837461F* 1I4837461H* | |  |
| 30/947 |  |  |  <small>POWER WINDOW LEFT ALZACRISTALLI ELETTRICI SX</small> | | 1J4837462B* 1J4837462D* 1J4837462F* 1I4837462H* | |  |
| 30/1305 |  |  |  <small>POWER WINDOW LEFT ALZACRISTALLI ELETTRICI SX</small> | | 1J4839461B* 1J4839461C* 1J4839461F* 1I4839729A* | |  |
| 30/1304 |  |  |  <small>POWER WINDOW LEFT ALZACRISTALLI ELETTRICI SX</small> | | 1J4839462B* 1J4839462C* 1J4839462F* 1I4839730A* | |  |

CADDY II (9K9B) 2 D 1995 -> 2004

| | | | | | | | |
|--------|---|---|--|--|---|--|---|
| 30/822 |  |  |  <small>POWER WINDOW LEFT ALZACRISTALLI ELETTRICI SX</small> |  | 6K4837401AA 6K4837401B 6K4837401C 6K4837401D | |  |
| 30/821 |  |  |  <small>POWER WINDOW LEFT ALZACRISTALLI ELETTRICI SX</small> | | 6K4837402B 6K4837402C 6K4837402D 6K4837402H | |  |

| Modello Model | Porte Doors | Configurazione Configurations | Foto Pictures | Connettore Connector | Cross OE | Alt. OE | Istruzioni Instructions |
|------------------|----------------|----------------------------------|------------------|-------------------------|----------|---------|----------------------------|
|------------------|----------------|----------------------------------|------------------|-------------------------|----------|---------|----------------------------|

CADDY II (9K9B) 2 D 1995 -> 2004

| | | | | | | | |
|---------|--|--|--|--|--|---|--|
| 30/822C | | | | | | 6K4837401* 6K4959801C* 6K4959801E* | |
| 30/821C | | | | | | 6K4837402* 6K4959802C* 6K4959802E* | |
| 30/2213 | | | | | | 6K4837401AA* 6K4837401C* 6K4837401D* 6K4837401H* | |
| 30/2212 | | | | | | 6K4837402AA* 6K4837402C* 6K4837402D* 6K4837402H* | |

CADDY III (2KA, 2KH, 2CA, 2CH) 2 D 2004 -> 2016

| | | | | | | | |
|---------|--|--|--|--|--|--|--|
| 30/1827 | | | | | | 2K1837729B* 2K1837729E* 2K1837729F* 2K1837729G* | |
| 30/1826 | | | | | | 2K1837730B* 2K1837730E* 2K1837730F* 2K1837730G* | |

CADDY IV MPV (SAB, SAJ) 4 D 2015 ->

| | | | | | | | |
|---------|--|--|--|--|-------------------------|--|--|
| 30/3108 | | | | | 2K5837461A 2K5837461 | | |
| 30/3109 | | | | | 2K5837462A 2K5837462 | | |

CARAVELLE (CHASSIS M >) / (CHASIS M >) 2 D 1990 -> 2003

| | | | | | | | |
|---------|--|--|--|--|--|---|--|
| 30/1358 | | | | | | 701837461* 701837461A* 701959801* | |
| 30/1357 | | | | | | 701837462* 701837462A* 701959802* | |

CRAFTER (2E_) 2 D 2006 -> 2016

| | | | | | | | |
|---------|--|--|--|--|--|--|--|
| 30/1769 | | | | | | 2E0837401* 2E0959802* A0068205442* A9067200046* | |
| 30/1768 | | | | | | 2E0837402* 2E0959801* A0068205542* A9067200146* | |

| Modello Model | Porte Doors | Configurazione Configurations | Foto Pictures | Connettore Connector | Cross OE | Alt. OE | Istruzioni Instructions |
|------------------|----------------|----------------------------------|------------------|-------------------------|----------|---------|----------------------------|
|------------------|----------------|----------------------------------|------------------|-------------------------|----------|---------|----------------------------|






CRAFTER (2E_) 2 D 2006 -> 2016

| | | | | | | | |
|---------|---|---|---|--|--------------------------|--|---|
| 30/2179 |  |  |  | | 2E0837401 A9067200046 | |  |
| 30/2178 |  | | | | 2E0837402 A9067200146 | | |


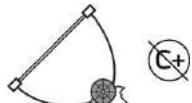





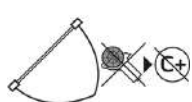



CRAFTER (SY_, SX_, SYI, SYJ, SZ_) 2 D 2016 -> 2016

| | | | | | | | |
|---------|---|---|---|--|-------------------------|--|---|
| 30/3070 |  |  |  | | 7C0837461 7C0837461A | |  |
| 30/3069 |  | | <small>POWER WINDOW LEFT ALZACRISTALLI ELETTRICO SX</small> | | 7C0837462 7C0837462A | | |

EOS (1F7, 1F8) 2 D 2006 -> 2015

| | | | | | | | |
|---------|---|--|--|--|---|--|--|
| 30/7399 |  |  |  | | 1Q0837461* 1Q0837461A* 1Q0837461B* 1Q0837461C* | |  |
| 30/7400 |  | | <small>A POWER WINDOW LEFT ALZACRISTALLI ELETTRICO SX</small> | | 1Q0837462* 1Q0837462A* 1Q0837462B* 1Q0837462C* | | |

FOX (5Z1, 5Z3, 5Z4) 2 D 2003 -> 2015


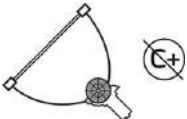









| | | | | | | | |
|---------|---|---|---|--|--|--|---|
| 30/1519 |  |  |  |  | | 5Z0959801* 5Z0959801B* 5Z3837461* 5Z3837461A* |  |
| 30/1518 |  | | <small>POWER WINDOW LEFT ALZACRISTALLI ELETTRICO SX</small> | | 5Z0959802* 5Z0959802B* 5Z3837462* 5Z3837462A* | | |
| 30/1895 |  |  |  | | 5Z3837461 5Z3837461A | |  |
| 30/1894 |  | | <small>POWER WINDOW LEFT ALZACRISTALLI ELETTRICO SX</small> | | 5Z3837462 5Z3837462A | | |

GOLF II (19E, 1G1) 2 D 1983 -> 1992













| | | | | | | | |
|---------|---|---|---|--|--|--|---|
| 30/7401 |  |  |  |  | | 191837461* 191959801* 321837461* 321959801* |  |
| 30/7402 |  | | <small>POWER WINDOW RIGHT ALZACRISTALLI ELETTRICO DX</small> | | 191837462* 191959802* 321837462* 321959802* | | |

| Modello Model | Porte Doors | Configurazione Configurations | Foto Pictures | Connettore Connector | Cross OE | Alt. OE | Istruzioni Instructions |
|------------------|----------------|----------------------------------|------------------|-------------------------|----------|---------|----------------------------|
|------------------|----------------|----------------------------------|------------------|-------------------------|----------|---------|----------------------------|


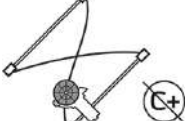





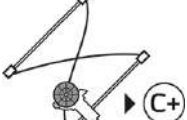




GOLF II (19E, 1G1) 2 D 1983 -> 1992

| | | | | | | | |
|-----------|---|---|--|--|------------|----------------------------|---|
| 30/800 |  |  |  <small>POWER WINDOW LEFT ALZACRISTALLI ELETTRICO SX</small> |  | | 191837401A* 191837401C* |  |
| 30/799 |  | | | | | 191837462A* 191959802* | |
| 30.752.05 |  |  |  | | 191837401B | |  |
| 30.752.04 |  | | | | 191837402B | | |

GOLF II (19E, 1G1) 4 D 1983 -> 1992


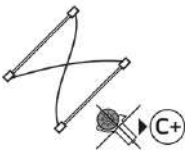




| | | | | | | | |
|-----------|---|---|--|--|------------|--|---|
| 30/7401 |  |  |  <small>POWER WINDOW RIGHT ALZACRISTALLI ELETTRICO DX</small> |  | | 191837461* 191959801* 321837461* 321959801* |  |
| 30/7402 |  | | | | | 191837462* 191959802* 321837462* 321959802* | |
| 30/800 |  |  |  <small>POWER WINDOW LEFT ALZACRISTALLI ELETTRICO SX</small> |  | | 191837401A* 191837401C* |  |
| 30/799 |  | | | | | 191837462A* 191959802* | |
| 30.752.05 |  |  |  | | 191837401B | |  |
| 30.752.04 |  | | | | 191837402B | | |

GOLF III (1H1) 2 D 1989 -> 2000


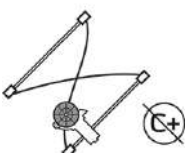






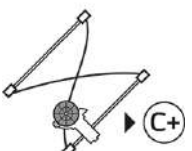






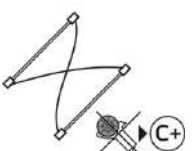

















| | | | | | | | |
|---------|---|---|--|--|--|--|---|
| 30/812 |  |  |  <small>POWER WINDOW LEFT ALZACRISTALLI ELETTRICO SX</small> |  | | 1H0837461* 1H0837461A* 1H0837462* |  |
| 30/811 |  | | | | | 1H0837462* 1H0837462A* 1H0837462C* | |
| 30/812C |  |  |  <small>POWER WINDOW LEFT ALZACRISTALLI ELETTRICO SX</small> |  | | 1H0837461* 1H0837461A* 1H0959801A* |  |
| 30/811C |  | | | | | 1H0837462* 1H0837462C* 1H0959802A* | |

| Modello Model | Porte Doors | Configurazione Configurations | Foto Pictures | Connettore Connector | Cross OE | Alt. OE | Istruzioni Instructions |
|------------------|----------------|----------------------------------|------------------|-------------------------|----------|---------|----------------------------|
|------------------|----------------|----------------------------------|------------------|-------------------------|----------|---------|----------------------------|


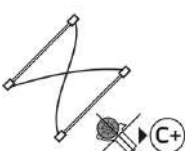




GOLF III (1H1) 2 D 1989 -> 2000

| | | | | | | | |
|---------|---|---|--|--|-------------------------|--|---|
| 30/1008 |  |  |  A POWER WINDOW LEFT ALZACRISTALLI ELETTRICI SX | | 1H0837461 1H0837461A | |  |
| 30/1007 |  |  | | | 1H0837462 1H0837462A | | |

GOLF III (1H1) 4 D 1989 -> 2000


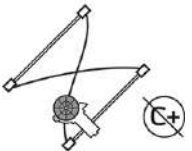




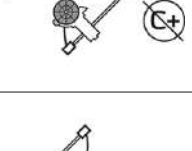


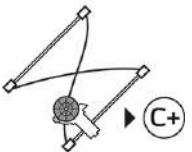




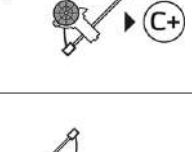


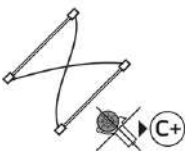



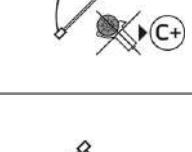
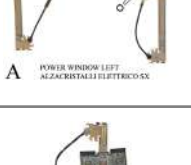

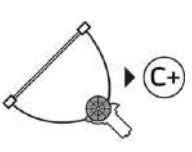




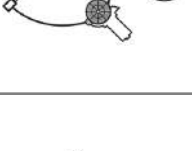


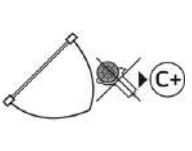





| | | | | | | | |
|---------|---|---|--|--|-------------------------|--|---|
| 30/812 |  |  |  POWER WINDOW LEFT ALZACRISTALLI ELETTRICI SX |  | | 1H0837461* 1H0837461A* 1H0837462* |  |
| 30/811 |  |  | | | | 1H0837462* 1H0837462A* 1H0837462C* | |
| 30/812C |  |  |  POWER WINDOW LEFT ALZACRISTALLI ELETTRICI SX |  | | 1H0837461* 1H0837461A* 1H0959801A* |  |
| 30/811C |  |  | | | | 1H0837462* 1H0837462C* 1H0959802A* | |
| 30/1008 |  |  |  A POWER WINDOW LEFT ALZACRISTALLI ELETTRICI SX | | 1H0837461 1H0837461A | |  |
| 30/1007 |  |  | | | 1H0837462 1H0837462A | | |
| 30/7403 |  |  |  POWER WINDOW LEFT ALZACRISTALLI ELETTRICI SX |  | | 1H4839461* 1H4839461A* 1H4959811* |  |
| 30/7404 |  |  | | | | 1H4839462* 1H4839462A* 1H4959812* | |
| 30/7405 |  |  |  A POWER WINDOW LEFT ALZACRISTALLI ELETTRICI SX | | 1H4839461 1H4839461A | |  |
| 30/7406 |  |  | | | 1H4839462 1H4839462A | | |

GOLF III CABRIOLET (1E7) 2 D 1993 -> 1998

| | | | | | | | |
|---------|---|---|--|--|------------------------|--|---|
| 30/2307 |  |  |  A POWER WINDOW LEFT ALZACRISTALLI ELETTRICI SX | | 1E0837401 1E0837461 | |  |
| 30/2306 |  |  | | | 1E0837402 1E0837462 | | |

| Modello Model | Porte Doors | Configurazione Configurations | Foto Pictures | Connettore Connector | Cross OE | Alt. OE | Istruzioni Instructions |
|------------------|----------------|----------------------------------|------------------|-------------------------|----------|---------|----------------------------|
|------------------|----------------|----------------------------------|------------------|-------------------------|----------|---------|----------------------------|

GOLF III VARIANT (1H5) 4 D 1993 -> 1999

| | | | | | | | |
|---------|---|---|---|--|-------------------------|--|---|
| 30/812 |  |  |  |  | | 1H0837461* 1H0837461A* 1H0837462* |  |
| 30/811 |  |  |  | | | 1H0837462* 1H0837462A* 1H0837462C* | |
| 30/812C |  |  |  |  | | 1H0837461* 1H0837461A* 1H0959801A* |  |
| 30/811C |  |  |  | | | 1H0837462* 1H0837462C* 1H0959802A* | |
| 30/1008 |  |  |  | | 1H0837461 1H0837461A | |  |
| 30/1007 |  |  |  | | 1H0837462 1H0837462A | | |
| 30/7403 |  |  |  |  | | 1H4839461* 1H4839461A* 1H4959811* |  |
| 30/7404 |  |  |  | | | 1H4839462* 1H4839462A* 1H4959812* | |
| 30/7405 |  |  |  | | 1H4839461 1H4839461A | |  |
| 30/7406 |  |  |  | | 1H4839462 1H4839462A | | |

GOLF IV (1J1) 2 D 1997 -> 2008

| | | | | | | | |
|--------|---|---|---|--|--|---|---|
| 30/946 |  |  |  | | | 1J3837461B* 1J3837461D* 1J3837461F* |  |
| 30/945 |  |  |  | | | 1J3837462D* 1J3837462F* 1J3837462H* | |

GOLF IV (1J1) 4 D 1997 -> 2008


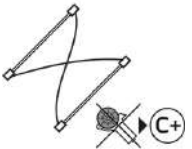



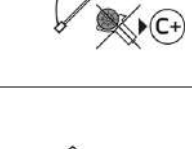

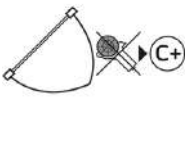



| | | | | | | | |
|---------|---|---|---|--|--|--|---|
| 30/2243 |  |  |  | | 1J4837461B 1J4837461D 1J4837461F 1I4837461H | |  |
| 30/2242 |  |  |  | | 1J4837462B 1J4837462D 1J4837462F 1I4837462H | | |

| Modello Model | Porte Doors | Configurazione Configurations | Foto Pictures | Connettore Connector | Cross OE | Alt. OE | Istruzioni Instructions |
|------------------|----------------|----------------------------------|------------------|-------------------------|----------|---------|----------------------------|
|------------------|----------------|----------------------------------|------------------|-------------------------|----------|---------|----------------------------|


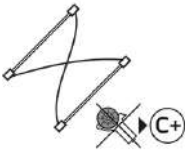



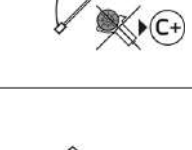

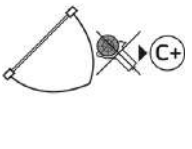



GOLF IV (1J1) 4 D 1997 -> 2008

| | | | | | | | |
|---------|--|--|--|--|--|--|--|
| 30/948 |  |  |  <small>POWER WINDOW LEFT ALZACRISTALLI ELETTRICO SX</small> | | | 1J4837461B* 1J4837461D* 1J4837461F* 1I4837461H* |  |
| 30/947 |  |  | | | | 1J4837462B* 1J4837462D* 1J4837462F* 1I4837462H* | |
| 30/2245 |  |  |  <small>POWER WINDOW LEFT ALZACRISTALLI ELETTRICO SX</small> | | 1J4839461A 1J4839461B 1J4839461C 1I4839461F | |  |
| 30/2244 |  | | | | 1J4839462B 1J4839462C 1J4839462F 1I4839730A | | |
| 30/1305 |  |  |  <small>A</small> | | | 1J4839461B* 1J4839461C* 1J4839461F* 1I4839729A* |  |
| 30/1304 |  | | | | 1J4839462B* 1J4839462C* 1J4839462F* 1I4839730A* | | |

GOLF IV VARIANT (1J5) 4 D 1999 -> 2006

| | | | | | | | |
|---------|---|---|--|--|--|--|---|
| 30/948 |  |  |  <small>POWER WINDOW LEFT ALZACRISTALLI ELETTRICO SX</small> | | | 1J4837461B* 1J4837461D* 1J4837461F* 1I4837461H* |  |
| 30/947 |  |  | | | | 1J4837462B* 1J4837462D* 1J4837462F* 1I4837462H* | |
| 30/1305 |  |  |  <small>A</small> | | | 1J4839461B* 1J4839461C* 1J4839461F* 1I4839729A* |  |
| 30/1304 |  | | | | 1J4839462B* 1J4839462C* 1J4839462F* 1I4839730A* | | |

GOLF PLUS V (5M1, 521) 4 D 2004 -> 2013

| | | | | | | | |
|---------|---|---|---|--|--|------------|---|
| 30/1847 |  |  |  <small>POWER WINDOW LEFT ALZACRISTALLI ELETTRICO SX</small> | | | 5M0837461* |  |
| 30/1846 |  |  | | | | 5M0837462* | |
| 30/2622 |  |  |  <small>POWER WINDOW RIGHT ALZACRISTALLI ELETTRICO DESTRO</small> | | | 5M0839461* |  |
| 30/2621 |  | | | | | 5M0839462* | |

| Modello Model | Porte Doors | Configurazione Configurations | Foto Pictures | Connettore Connector | Cross OE | Alt. OE | Istruzioni Instructions |
|------------------|----------------|----------------------------------|------------------|-------------------------|----------|---------|----------------------------|
|------------------|----------------|----------------------------------|------------------|-------------------------|----------|---------|----------------------------|

GOLF V (1K1) 2 D 2003 -> 2010

| | | | | | | | |
|---------|---|---|--|--|--|----------------------------|---|
| 30/1901 |  |  |  POWER WINDOW LEFT ALZACRISTALLI ELETTRICO SX | | | 1K3837461A* 1K3837461B* |  |
| 30/1900 |  | | | | | 1K3837462A* 1K3837462B* | |

GOLF V (1K1) 4 D 2003 -> 2010

| | | | | | | |
|---------|---|---|--|---|--|---|
| 30/2247 |  |  |  POWER WINDOW LEFT ALZACRISTALLI ELETTRICO SX | 1K4837461A 1K4837461B | |  |
| 30/2246 |  | | | 1K4837462A 1K4837462B | | |
| 30/1093 |  |  |  POWER WINDOW LEFT ALZACRISTALLI ELETTRICO SX | 1K4837461A* 1K4837461B* | |  |
| 30/1092 |  | | | 1K4837462A* 1K4837462B* | | |
| 30/1307 |  |  |  POWER WINDOW LEFT ALZACRISTALLI ELETTRICO SX | 1K4839461A* 1K4839461B* 1K9839461A* | |  |
| 30/1306 |  | | | 1K4839462A* 1K4839462B* 1K9839462A* | | |

GOLF V VARIANT (1K5) 4 D 2007 -> 2009

| | | | | | | |
|---------|---|---|--|---|--|---|
| 30/2247 |  |  |  POWER WINDOW LEFT ALZACRISTALLI ELETTRICO SX | 1K4837461A 1K4837461B | |  |
| 30/2246 |  | | | 1K4837462A 1K4837462B | | |
| 30/1093 |  |  |  POWER WINDOW LEFT ALZACRISTALLI ELETTRICO SX | 1K4837461A* 1K4837461B* | |  |
| 30/1092 |  | | | 1K4837462A* 1K4837462B* | | |
| 30/1307 |  |  |  POWER WINDOW LEFT ALZACRISTALLI ELETTRICO SX | 1K4839461A* 1K4839461B* 1K9839461A* | |  |
| 30/1306 |  | | | 1K4839462A* 1K4839462B* 1K9839462A* | | |

| Modello Model | Porte Doors | Configurazione Configurations | Foto Pictures | Connettore Connector | Cross OE | Alt. OE | Istruzioni Instructions |
|------------------|----------------|----------------------------------|------------------|-------------------------|----------|---------|----------------------------|
|------------------|----------------|----------------------------------|------------------|-------------------------|----------|---------|----------------------------|







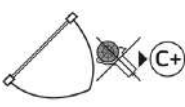



GOLF VI (5K1) 2 D 2008 -> 2014

| | | | | | | | |
|---------|---|---|--|--|--------------------------|--|---|
| 30/3038 |  |  |  POWER WINDOW LWFT ALZACRISTALLI ELETTRICO SX | | 5K0837461B 5K0837461D | |  |
| 30/3037 |  | | | | 5K0837462B 5K0837462D | | |






GOLF VI (5K1) 4 D 2008 -> 2014

| | | | | | | | |
|---------|--|--|---|--|--------------------------|--|--|
| 30/3038 |  |  |  POWER WINDOW LWFT ALZACRISTALLI ELETTRICO SX | | 5K0837461B 5K0837461D | |  |
| 30/3037 |  | | | | 5K0837462B 5K0837462D | | |
| 30/3046 |  |  |  POWER WINDOW LEFT ALZACRISTALLI ELETTRICO SX | | 5K4839461 | |  |
| 30/3045 |  | | | | 5K4839462 | | |

GOLF VII (5G1, BQ1, BE1, BE2) 4 D 2012 -> 2022

| | | | | | | | |
|---------|---|---|--|--|--------------------------|--|---|
| 30/1887 |  |  |  POWER WINDOW LEFT ALZACRISTALLI ELETTRICO SX | | 5G4837461E 5G4837461F | |  |
| 30/1886 |  | | | | 5G4837462G 5G4837462H | | |
| 30/1889 |  |  |  POWER WINDOW LEFT ALZACRISTALLI ELETTRICO SX A | | 5G4839461B 5G4839461C | |  |
| 30/1888 |  | | | | 5G4839462B 5G4839462C | | |

GOLF VII VARIANT (BA5, BV5) 4 D 2013 -> 2022

| | | | | | | | |
|---------|---|---|--|--|--------------------------|--|---|
| 30/1887 |  |  |  POWER WINDOW LEFT ALZACRISTALLI ELETTRICO SX | | 5G4837461E 5G4837461F | |  |
| 30/1886 |  | | | | 5G4837462G 5G4837462H | | |

| Modello Model | Porte Doors | Configurazione Configurations | Foto Pictures | Connettore Connector | Cross OE | Alt. OE | Istruzioni Instructions |
|------------------|----------------|----------------------------------|------------------|-------------------------|----------|---------|----------------------------|
|------------------|----------------|----------------------------------|------------------|-------------------------|----------|---------|----------------------------|

GOLF VII VARIANT (BA5, BV5) 4 D 2013 -> 2022

| | | | | | | | |
|---------|--|--|--|--|--------------------------|--|--|
| 30/1889 | | | | | 5G4839461B 5G4839461C | | |
| 30/1888 | | | | | 5G4839462B 5G4839462C | | |

JETTA II (19E, 1G2, 165) 2 D 1983 -> 1992

| | | | | | | | |
|-----------|--|--|--|--|------------|--|--|
| 30/7401 | | | | | | 191837461* 191959801* 321837461* 321959801* | |
| 30/7402 | | | | | | 191837462* 191959802* 321837462* 321959802* | |
| 30/800 | | | | | | 191837401A* 191837401C* | |
| 30/799 | | | | | | 191837462A* 191959802* | |
| 30.752.05 | | | | | 191837401B | | |
| 30.752.04 | | | | | 191837402B | | |

JETTA II (19E, 1G2, 165) 4 D 1983 -> 1992


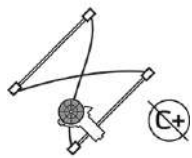





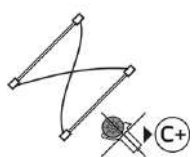



| | | | | | | | |
|-----------|--|--|--|--|------------|--|--|
| 30/7401 | | | | | | 191837461* 191959801* 321837461* 321959801* | |
| 30/7402 | | | | | | 191837462* 191959802* 321837462* 321959802* | |
| 30/800 | | | | | | 191837401A* 191837401C* | |
| 30/799 | | | | | | 191837462A* 191959802* | |
| 30.752.05 | | | | | 191837401B | | |
| 30.752.04 | | | | | 191837402B | | |

| Modello Model | Porte Doors | Configurazione Configurations | Foto Pictures | Connettore Connector | Cross OE | Alt. OE | Istruzioni Instructions |
|------------------|----------------|----------------------------------|------------------|-------------------------|----------|---------|----------------------------|
|------------------|----------------|----------------------------------|------------------|-------------------------|----------|---------|----------------------------|



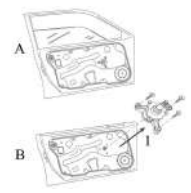




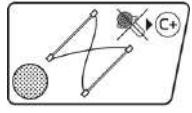




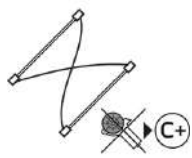




LT II 2 D 1996 -> 2006

| | | | | | | | |
|---------|---|---|--|--|--|--------------------------|---|
| 30/7407 |  |  |  <small>POWER WINDOW LEFT ALZACRISTALLI ELETTRICI DC</small> |  | | 2D0837461* 2D0959801* |  |
| 30/7408 |  | | | | | 2D0837462* 2D0959802* | |

LUPO (6X1, 6E1) 2 D 1998 -> 2005

| | | | | | | | |
|---------|--|--|---|--|---|--|--|
| 30/7337 |  |  |  <small>POWER WINDOW LEFT ALZACRISTALLI ELETTRICI DC</small> |  | | 6H0959802A* 6X0837461A* 6X0837461B* 6X0837461C* |  |
| 30/7338 |  | | | | | 6H0959801B* 6X0837462A* 6X0837462B* 6X0837462C* | |
| 30/1117 |  |  |  <small>POWER WINDOW LEFT ALZACRISTALLI ELETTRICI DC</small> | | 6X0837461A 6X0837461B 6X0837461C 6E0837461 | |  |
| 30/1116 |  | | | | 6X0837462A 6X0837462B 6X0837462C 6E0837462 | | |

NEW BEETLE (9C1, 1C1) 2 D 1998 -> 2012

| | | | | | | | |
|---------|---|---|--|--|--------------------------|----------------------------|---|
| 30/2747 |  |  |  <small>POWER WINDOW LEFT ALZACRISTALLI ELETTRICI DC</small> |  | | |  |
| 30/2748 |  | | | | | | |
| 30/2241 |  |  |  <small>POWER WINDOW LEFT ALZACRISTALLI ELETTRICI DC</small> | | 1C0837655A 1C0837655C | |  |
| 30/2240 |  | | | | 1C0837656A 1C0837656C | | |
| 30/1309 |  |  |  <small>POWER WINDOW LEFT ALZACRISTALLI ELETTRICI DC</small> |  <small>A</small> | | 1C0837655A* 1C0837655C* |  |
| 30/1308 |  | | | | | 1C0837656A* 1C0837656C* | |

| Modello Model | Porte Doors | Configurazione Configurations | Foto Pictures | Connettore Connector | Cross OE | Alt. OE | Istruzioni Instructions |
|------------------|----------------|----------------------------------|------------------|-------------------------|----------|---------|----------------------------|
|------------------|----------------|----------------------------------|------------------|-------------------------|----------|---------|----------------------------|


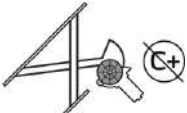
















PASSAT B2 (32B) 2 D 1979 -> 1989

| | | | | | | | |
|---------|---|---|---|--|--|--|---|
| 30/7401 |  |  |  <small>POWER WINDOW REGIT ALZACRISTALLI ELETTRICO DX</small> |  | | 191837461* 191959801* 321837461* 321959801* |  |
| 30/7402 |  |  |  <small>POWER WINDOW REGIT ALZACRISTALLI ELETTRICO DX</small> |  | | 191837462* 191959802* 321837462* 321959802* | |


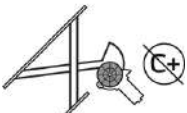




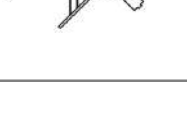



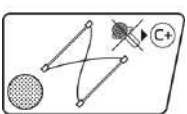




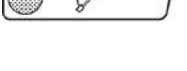


PASSAT B2 (32B) 4 D 1979 -> 1989

| | | | | | | | |
|---------|---|---|---|--|--|--|---|
| 30/7401 |  |  |  <small>POWER WINDOW REGIT ALZACRISTALLI ELETTRICO DX</small> |  | | 191837461* 191959801* 321837461* 321959801* |  |
| 30/7402 |  |  |  <small>POWER WINDOW REGIT ALZACRISTALLI ELETTRICO DX</small> |  | | 191837462* 191959802* 321837462* 321959802* | |

PASSAT B3/B4 (3A2, 35I) 4 D 1988 -> 1997

| | | | | | | | |
|---------|---|---|---|--|--|---|---|
| 30/7409 |  |  |  <small>POWER WINDOW LEFT ALZACRISTALLI ELETTRICO</small> |  | | 357837401* 357837401B* 357837401C* 357959801* |  |
| 30/7410 |  |  |  <small>POWER WINDOW LEFT ALZACRISTALLI ELETTRICO</small> |  | | 357837402B* 357837402C* 3A0837402B* 3A0959802* | |
| 30/2305 |  |  |  <small>POWER WINDOW LEFT ALZACRISTALLI ELETTRICO</small> |  | 357837401 357837401B 357837401C 3 | |  |
| 30/2304 |  |  |  <small>POWER WINDOW LEFT ALZACRISTALLI ELETTRICO</small> |  | 357837402B 357837402C 3A0837402B | | |

PASSAT B3/B4 VARIANT (3A2, 35I) 4 D 1988 -> 1997

| | | | | | | | |
|---------|---|---|---|--|---|---|---|
| 30/7409 |  |  |  <small>POWER WINDOW LEFT ALZACRISTALLI ELETTRICO</small> |  | | 357837401* 357837401B* 357837401C* 357959801* |  |
| 30/7410 |  |  |  <small>POWER WINDOW LEFT ALZACRISTALLI ELETTRICO</small> |  | | 357837402B* 357837402C* 3A0837402B* 3A0959802* | |
| 30/2249 |  |  |  <small>POWER WINDOW RIGHT ALZACRISTALLI ELETTRICO DX</small> |  | 3B1837461 3B1837462 3B1837656A 3B1837656B | |  |
| 30/2248 |  |  |  <small>POWER WINDOW RIGHT ALZACRISTALLI ELETTRICO DX</small> |  | 3B1837462 3B1837656A 3B1837656B 3B1837656D | | |

| Modello Model | Porte Doors | Configurazione Configurations | Foto Pictures | Connettore Connector | Cross OE | Alt. OE | Istruzioni Instructions |
|------------------|----------------|----------------------------------|------------------|-------------------------|----------|---------|----------------------------|
|------------------|----------------|----------------------------------|------------------|-------------------------|----------|---------|----------------------------|

PASSAT B3/B4 VARIANT (3A2, 35I) 4 D 1988 -> 1997

| | | | | | | | |
|---------|---|---|---|--|--|--|---|
| 30/2305 |  |  |  | | 357837401 357837401B 357837401C 3 | |  |
| 30/2304 |  | | | | 357837402B 357837402C 3A0837402B | | |

PASSAT B5 (3B2) 4 D 1997 -> 2001

| | | | | | | | |
|---------|---|---|---|--|---|--|---|
| 30/2249 |  |  |  | | 3B1837461 3B1837462 3B1837656A 3B1837656B | |  |
| 30/2248 |  | | | | 3B1837462 3B1837656A 3B1837656B 3B1837656D | | |

| | | | | | | | |
|---------|--|--|--|--|---|--|--|
| 30/1040 |  |  |  | | 3B1837461* 3B1837462* 3B1837656A* 3B1837656B* | |  |
| 30/1039 |  | | | | 3B1837462* 3B1837656A* 3B1837656B* 3B1837656D* | | |

PASSAT B5 VARIANT (3B5) 4 D 1997 -> 2001




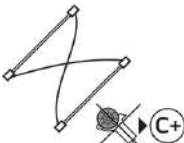






| | | | | | | | |
|---------|---|---|---|--|---|--|---|
| 30/2249 |  |  |  | | 3B1837461 3B1837462 3B1837656A 3B1837656B | |  |
| 30/2248 |  | | | | 3B1837462 3B1837656A 3B1837656B 3B1837656D | | |

| | | | | | | | |
|---------|---|---|---|--|---|--|---|
| 30/1040 |  |  |  | | 3B1837461* 3B1837462* 3B1837656A* 3B1837656B* | |  |
| 30/1039 |  | | | | 3B1837462* 3B1837656A* 3B1837656B* 3B1837656D* | | |


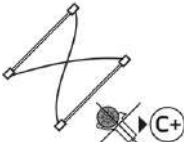




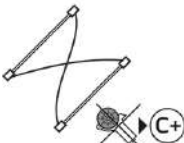



| | | | | | | | |
|---------|---|---|---|--|---------------------------|--|---|
| 30/1311 |  |  |  | | 3B9839461* 3B9839461A* | |  |
| 30/1310 |  | | | | 3B9839462* 3B9839462A* | | |

| Modello Model | Porte Doors | Configurazione Configurations | Foto Pictures | Connettore Connector | Cross OE | Alt. OE | Istruzioni Instructions |
|------------------|----------------|----------------------------------|------------------|-------------------------|----------|---------|----------------------------|
|------------------|----------------|----------------------------------|------------------|-------------------------|----------|---------|----------------------------|


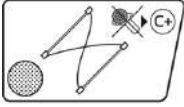




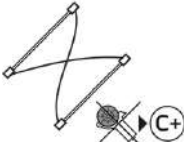



PASSAT B6 (3C2) 4 D 2005 -> 2011

| | | | | | | | |
|---------|--|---|--|--|--|---|--|
| 30/2251 |  |  |  POWER WINDOW REG. ALZACRISTALLI ELETTRICO SX | | 3C1837461E 3C1837461F 3C1837461G 3C1837461H | |  |
| 30/2250 |  | | | | 3C1837462E 3C1837462F 3C1837462G 3C1837462H | | |
| 30/1416 |  |  |  POWER WINDOW LEFT ALZACRISTALLI ELETTRICO SX | | | 3AA837461* 3AA837461B* 3AA837461C* 3C1837461E* |  |
| 30/1415 |  | | | | | 3AA837462* 3AA837462B* 3C1837462E* 3C1837462F* | |
| 30/1382 |  |  |  POWER WINDOW LEFT ALZACRISTALLI ELETTRICO SX | | | 3AF839461* 3AF839461B* 3AF839461C* 3C5839461A* |  |
| 30/1381 |  | | | | | 3AF839462* 3AF839462B* 3AF839462C* 3C5839462A* | |

PASSAT B6 CC (357) 4 D 2008 -> 2013






| | | | | | | | |
|---------|---|---|---|--|--|--|---|
| 30/2582 |  |  |  POWER WINDOW LEFT ALZACRISTALLI ELETTRICO SX | | 3C8837461F 3C8837461G 3C8837461J | |  |
| 30/2581 |  | | | | 3C8837462F 3C8837462G 3C8837462J | | |
| 30/2584 |  |  |  POWER WINDOW RIGHT ALZACRISTALLI ELETTRICO SX | | 3C8839461F 3C8839461G 3C8839461J 3C8839461K | |  |
| 30/2583 |  | | | | 3C8839462F 3C8839462G 3C8839462J 3C8839462K | | |

PASSAT B6 VARIANT (3C5) 4 D 2005 -> 2011

| | | | | | | | |
|---------|---|---|--|--|--|---|---|
| 30/2251 |  |  |  POWER WINDOW REG. ALZACRISTALLI ELETTRICO SX | | 3C1837461E 3C1837461F 3C1837461G 3C1837461H | |  |
| 30/2250 |  | | | | 3C1837462E 3C1837462F 3C1837462G 3C1837462H | | |
| 30/1416 |  |  |  POWER WINDOW LEFT ALZACRISTALLI ELETTRICO SX | | | 3AA837461* 3AA837461B* 3AA837461C* 3C1837461E* |  |
| 30/1415 |  | | | | | 3AA837462* 3AA837462B* 3C1837462E* 3C1837462F* | |






| Modello Model | Porte Doors | Configurazione Configurations | Foto Pictures | Connettore Connector | Cross OE | Alt. OE | Istruzioni Instructions |
|------------------|----------------|----------------------------------|------------------|-------------------------|----------|---------|----------------------------|
|------------------|----------------|----------------------------------|------------------|-------------------------|----------|---------|----------------------------|

PASSAT B6 VARIANT (3C5) 4 D 2005 -> 2011

| | | | | | | | |
|---------|---|---|---|--|--|---|---|
| 30/1382 |  |  |  | | | 3AF839461* 3AF839461B* 3AF839461C* 3C5839461A* |  |
| 30/1381 |  | | | | | 3AF839462* 3AF839462B* 3AF839462C* 3C5839462A* | |

PASSAT B7 (362) 4 D 2010 -> 2016






| | | | | | | | |
|---------|---|---|---|--|--|--|---|
| 30/2251 |  |  |  | | 3C1837461E 3C1837461F 3C1837461G 3C1837461H | |  |
| 30/2250 |  | | | | 3C1837462E 3C1837462F 3C1837462G 3C1837462H | | |

| | | | | | | | |
|---------|---|--|--|--|--|---|--|
| 30/1416 |  |  |  | | | 3AA837461* 3AA837461B* 3AA837461C* 3C1837461E* |  |
| 30/1415 |  | | | | | 3AA837462* 3AA837462B* 3C1837462E* 3C1837462F* | |

| | | | | | | | |
|---------|---|---|---|--|--|---|---|
| 30/1382 |  |  |  | | | 3AF839461* 3AF839461B* 3AF839461C* 3C5839461A* |  |
| 30/1381 |  | | | | | 3AF839462* 3AF839462B* 3AF839462C* 3C5839462A* | |

PASSAT B7 VARIANT (365) 4 D 2010 -> 2016


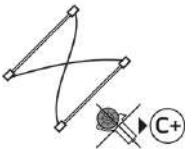










| | | | | | | | |
|---------|---|---|---|--|--|--|---|
| 30/2251 |  |  |  | | 3C1837461E 3C1837461F 3C1837461G 3C1837461H | |  |
| 30/2250 |  | | | | 3C1837462E 3C1837462F 3C1837462G 3C1837462H | | |

| | | | | | | | |
|---------|---|---|---|--|--|---|---|
| 30/1416 |  |  |  | | | 3AA837461* 3AA837461B* 3AA837461C* 3C1837461E* |  |
| 30/1415 |  | | | | | 3AA837462* 3AA837462B* 3C1837462E* 3C1837462F* | |


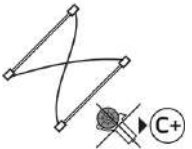










| | | | | | | | |
|---------|---|---|---|--|--|---|---|
| 30/1382 |  |  |  | | | 3AF839461* 3AF839461B* 3AF839461C* 3C5839461A* |  |
| 30/1381 |  | | | | | 3AF839462* 3AF839462B* 3AF839462C* 3C5839462A* | |

| Modello Model | Porte Doors | Configurazione Configurations | Foto Pictures | Connettore Connector | Cross OE | Alt. OE | Istruzioni Instructions |
|------------------|----------------|----------------------------------|------------------|-------------------------|----------|---------|----------------------------|
|------------------|----------------|----------------------------------|------------------|-------------------------|----------|---------|----------------------------|


PASSAT B8 (3G2, CB2) 4 D 2014 ->

| | | | | | | | |
|---------|---|---|--|--|---|--|---|
| 30/2602 |  |  |  <small>POWER WINDOW LEFT ALZACRISTALLI ELETTRICO SX</small> | | 3G0837461 3G0837461A 3G0837461B 3G0837461C | |  |
| 30/2601 |  |  | | | 3G0837462 3G0837462A 3G0837462B 3G0837462C | | |
| 30/3076 |  |  |  <small>POWER WINDOW LEFT ALZACRISTALLI ELETTRICO SX</small> | | 3G5839461 3G5839461A 3G5839461B | |  |
| 30/3075 |  |  | | | 3G5839462 3G5839462A 3G5839462B | | |

PASSAT B8 VARIANT (3G5, CB5) 4 D 2014 ->

| | | | | | | | |
|---------|---|---|--|--|---|--|---|
| 30/2602 |  |  |  <small>POWER WINDOW LEFT ALZACRISTALLI ELETTRICO SX</small> | | 3G0837461 3G0837461A 3G0837461B 3G0837461C | |  |
| 30/2601 |  |  | | | 3G0837462 3G0837462A 3G0837462B 3G0837462C | | |
| 30/2586 |  |  |  <small>POWER WINDOW LEFT ALZACRISTALLI ELETTRICO SX</small> | | 3G9839461 3G9839461A 3G9839461B | |  |
| 30/2585 |  |  | | | 3G9839462 3G9839462A 3G9839462B | | |

POLO (6V5) VARIANT 4 D 1997 -> 2001

| | | | | | | | |
|---------|---|---|--|--|---|--|---|
| 30/822 |  |  |  <small>POWER WINDOW LEFT ALZACRISTALLI ELETTRICO SX</small> |  | 6K4837401AA 6K4837401B 6K4837401C 6K4837401D | |  |
| 30/821 |  |  | | | 6K4837402B 6K4837402C 6K4837402D 6K4837402H | | |
| 30/2213 |  |  |  <small>POWER WINDOW LEFT ALZACRISTALLI ELETTRICO SX</small> | | 6K4837401AA* 6K4837401C* 6K4837401D* 6K4837401H* | |  |
| 30/2212 |  |  | | | 6K4837402AA* 6K4837402C* 6K4837402D* 6K4837402H* | | |
| 30/1759 |  |  |  |  | 6K4839401H 6K4839402 | |  |
| 30/1758 |  |  | | | 6K4839402H 6Q4839402H | | |

| Modello Model | Porte Doors | Configurazione Configurations | Foto Pictures | Connettore Connector | Cross OE | Alt. OE | Istruzioni Instructions |
|------------------|----------------|----------------------------------|------------------|-------------------------|----------|---------|----------------------------|
|------------------|----------------|----------------------------------|------------------|-------------------------|----------|---------|----------------------------|


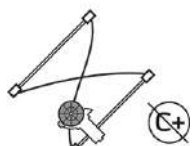





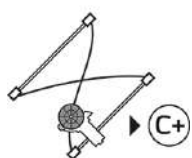
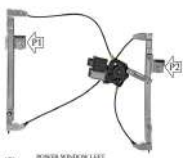



POLO II (86C, 80) 2 D 1981 -> 1994

| | | | | | | | |
|---------|---|---|---|--|--|--|---|
| 30/7401 |  |  |  <small>POWER WINDOW REGIT ALZACRISTALLI ELETTRICO DX</small> |  | | 191837461* 191959801* 321837461* 321959801* |  |
| 30/7402 |  | | | | | 191837462* 191959802* 321837462* 321959802* | |


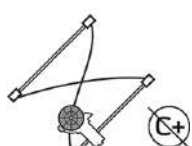





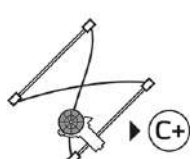




POLO II (86C, 80) 4 D 1981 -> 1994

| | | | | | | | |
|---------|---|---|---|--|--|--|---|
| 30/7401 |  |  |  <small>POWER WINDOW REGIT ALZACRISTALLI ELETTRICO DX</small> |  | | 191837461* 191959801* 321837461* 321959801* |  |
| 30/7402 |  | | | | | 191837462* 191959802* 321837462* 321959802* | |

POLO III (6N1) 2 D 1994 -> 1999


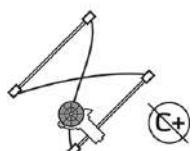





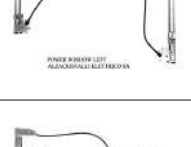


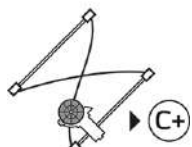








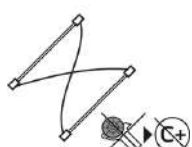






| | | | | | | | |
|---------|---|---|--|--|--|--|---|
| 30/824 |  |  |  <small>POWER WINDOW LEFT ALZACRISTALLI ELETTRICO SX</small> |  | | 6N3837461* 6N3837461A* 6N3837461C* 6N4959802* |  |
| 30/823 |  | | | | | 6N3837462* 6N3837462A* 6N3837462C* 6N4959801* | |
| 30/824C |  |  |  <small>(*) POWER WINDOW LEFT ALZACRISTALLI ELETTRICO SX</small> |  | | 6N3837461D* |  |
| 30/823C |  | | | | | 6N3837462D* | |

POLO III (6N1) 4 D 1994 -> 1999

| | | | | | | | |
|---------|---|---|--|--|--|---|---|
| 30/826 |  |  |  <small>POWER WINDOW LEFT ALZACRISTALLI ELETTRICO SX</small> |  | | 6N4837461* 6N4959802* 6N4959802B* |  |
| 30/825 |  | | | | | 6N4837462* 6N4959801* 6N4959801B* | |
| 30/826C |  |  |  |  | | |  |
| 30/825C |  | | | | | | |

| Modello Model | Porte Doors | Configurazione Configurations | Foto Pictures | Connettore Connector | Cross OE | Alt. OE | Istruzioni Instructions |
|------------------|----------------|----------------------------------|------------------|-------------------------|----------|---------|----------------------------|
|------------------|----------------|----------------------------------|------------------|-------------------------|----------|---------|----------------------------|

POLO III (6N2) 2 D 1999 -> 2001

| | | | | | | | |
|---------|--|--|---|--|--|--|--|
| 30/824 |  |  |  POWER WINDOW LEFT ALZACRISTALLI ELETTRICI SX |  | | 6N3837461* 6N3837461A* 6N3837461C* 6N4959802* |  |
| 30/823 |  |  |  POWER WINDOW LEFT ALZACRISTALLI ELETTRICI SX | | | 6N3837462* 6N3837462A* 6N3837462C* 6N4959801* |  |
| 30/824C |  |  |  POWER WINDOW LEFT ALZACRISTALLI ELETTRICI SX |  | | 6N3837461D* |  |
| 30/823C |  |  |  POWER WINDOW LEFT ALZACRISTALLI ELETTRICI SX | | | 6N3837462D* |  |
| 30/1195 |  |  |  POWER WINDOW LEFT ALZACRISTALLI ELETTRICI SX | | | 6N3837461 6N3837461A 6N3837461C |  |
| 30/1194 |  |  |  POWER WINDOW LEFT ALZACRISTALLI ELETTRICI SX | | | 6N3837462 6N3837462A 6N3837462C |  |

POLO III (6N2) 4 D 1999 -> 2001

| | | | | | | | |
|---------|---|---|--|--|--|---|---|
| 30/826 |  |  |  POWER WINDOW LEFT ALZACRISTALLI ELETTRICI SX |  | | 6N4837461* 6N4959802* 6N4959802B* |  |
| 30/825 |  |  |  POWER WINDOW LEFT ALZACRISTALLI ELETTRICI SX | | | 6N4837462* 6N4959801* 6N4959801B* |  |
| 30/826C |  |  |  POWER WINDOW LEFT ALZACRISTALLI ELETTRICI SX |  | | |  |
| 30/825C |  |  |  POWER WINDOW LEFT ALZACRISTALLI ELETTRICI SX | | | |  |
| 30/1197 |  |  |  POWER WINDOW LEFT ALZACRISTALLI ELETTRICI SX | | | 6N4837461 |  |
| 30/1196 |  |  |  POWER WINDOW LEFT ALZACRISTALLI ELETTRICI SX | | | 6N4837462 |  |
| 30/2209 |  |  |  POWER WINDOW LEFT ALZACRISTALLI ELETTRICI SX | | | |  |
| 30/2208 |  |  |  POWER WINDOW LEFT ALZACRISTALLI ELETTRICI SX | | | |  |

| Modello Model | Porte Doors | Configurazione Configurations | Foto Pictures | Connettore Connector | Cross OE | Alt. OE | Istruzioni Instructions |
|------------------|----------------|----------------------------------|------------------|-------------------------|----------|---------|----------------------------|
|------------------|----------------|----------------------------------|------------------|-------------------------|----------|---------|----------------------------|

POLO III (6V2) CLASSIC 4 D 1995 -> 2009

| | | | | | | | |
|---------|--|--|--|--|---|---|--|
| 30/822 | | | | | 6K4837401AA 6K4837401B 6K4837401C 6K4837401D | | |
| 30/821 | | | | | 6K4837402B 6K4837402C 6K4837402D 6K4837402H | | |
| 30/822C | | | | | | 6K4837401J* 6K4959801C* 6K4959801E* | |
| 30/821C | | | | | | 6K4837402J* 6K4959802C* 6K4959802E* | |
| 30/2213 | | | | | | 6K4837401AA* 6K4837401C* 6K4837401D* 6K4837401H* | |
| 30/2212 | | | | | | 6K4837402AA* 6K4837402C* 6K4837402D* 6K4837402H* | |
| 30/1741 | | | | | 6K4839401B 6K4839401D 6K4839401G | | |
| 30/1740 | | | | | 6K4839402B 6K4839402D 6K4839402G | | |
| 30/1759 | | | | | 6K4839401H 6K4839402 | | |
| 30/1758 | | | | | 6K4839402H 6Q4839402H | | |

POLO IV (9N_) 2 D 2001 -> 2014


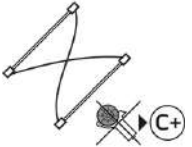



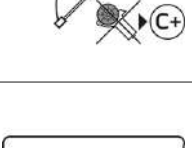



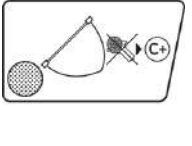



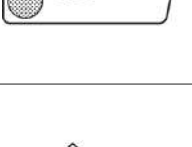



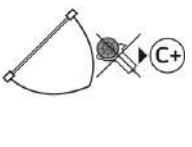






| | | | | | | | |
|---------|--|--|--|--|--|---|--|
| 30/1139 | | | | | | 6Q3837461* 6Q3837461A* 6Q3837461E* 6Q3837461G* | |
| 30/1138 | | | | | | 6Q3837462* 6Q3837462A* 6Q3837462E* 6Q3837462G* | |

POLO IV (9N_) 4 D 2001 -> 2014

| | | | | | | | |
|---------|--|--|--|--|---|--|--|
| 30/2253 | | | | | 6Q4837461 6Q4837461A 6Q4837461E 6Q4837461G | | |
| 30/2252 | | | | | 6Q4837462 6Q4837462A 6Q4837462E 6Q4837462G | | |

| Modello Model | Porte Doors | Configurazione Configurations | Foto Pictures | Connettore Connector | Cross OE | Alt. OE | Istruzioni Instructions |
|------------------|----------------|----------------------------------|------------------|-------------------------|----------|---------|----------------------------|
|------------------|----------------|----------------------------------|------------------|-------------------------|----------|---------|----------------------------|


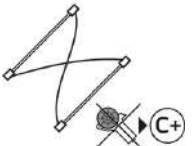



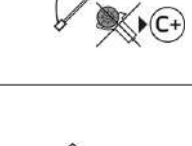



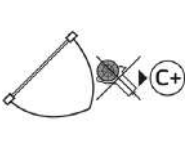






POLO IV (9N_) 4 D 2001 -> 2014

| | | | | | | | |
|---------|--|--|---|--|---------------------------------------|---|--|
| 30/1141 |  |  |  <small>POWER WINDOW LEFT ALZACRISTALLI ELETTRICO SX</small> | | | 6Q4837461* 6Q4837461A* 6Q4837461E* 6Q4837461G* |  |
| 30/1140 |  |  |  <small>POWER WINDOW LEFT ALZACRISTALLI ELETTRICO SX</small> | | | 6Q4837462* 6Q4837462A* 6Q4837462E* 6Q4837462G* |  |
| 30/2255 |  |  |  <small>POWER WINDOW LEFT ALZACRISTALLI ELETTRICO SX</small> | | 6Q4839461 6Q4839461B 6Q4839461E | |  |
| 30/2254 |  |  |  <small>POWER WINDOW LEFT ALZACRISTALLI ELETTRICO SX</small> | | 6Q4839462 6Q4839462B 6Q4839462E | |  |
| 30/1340 |  |  |  <small>POWER WINDOW LEFT ALZACRISTALLI ELETTRICO SX</small> A | | | 6Q4839461* 6Q4839461B* 6Q4839461E* |  |
| 30/1339 |  |  |  <small>POWER WINDOW LEFT ALZACRISTALLI ELETTRICO SX</small> A | | | 6Q4839462* 6Q4839462B* 6Q4839462E* |  |

POLO V (6R1, 6C1) 2 D 2009 -> 2022

| | | | | | | | |
|---------|---|---|---|--|--|---|---|
| 30/1515 |  |  |  <small>POWER WINDOW RIGHT ALZACRISTALLI ELETTRICO DX</small> | | | 6R3837461 6R3837461A 6R3837461B 6R3837461C |  |
| 30/1514 |  |  |  <small>POWER WINDOW RIGHT ALZACRISTALLI ELETTRICO DX</small> | | | 6R3837462 6R3837462A 6R3837462B 6R3837462C |  |

POLO V (6R1, 6C1) 4 D 2009 -> 2022


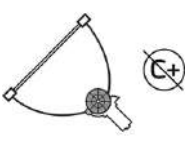




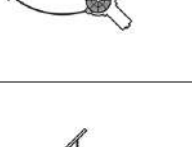



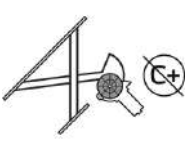







| | | | | | | | |
|---------|---|---|--|--|--|--|---|
| 30/1511 |  |  |  <small>POWER WINDOW LEFT ALZACRISTALLI ELETTRICO SX</small> | | | 6R4837461C 6R4837461D 6R4837461G 6R4837461I |  |
| 30/1510 |  |  |  <small>POWER WINDOW LEFT ALZACRISTALLI ELETTRICO SX</small> | | | 6R4837462C 6R4837462D 6R4837462G 6R4837462I |  |
| 30/1513 |  |  |  <small>POWER WINDOW LEFT ALZACRISTALLI ELETTRICO SX</small> A | | | 6R4839461C 6R4839461D 6R4839461E 6R4839461G |  |
| 30/1512 |  |  |  <small>POWER WINDOW LEFT ALZACRISTALLI ELETTRICO SX</small> A | | | 6R4839462C 6R4839462D 6R4839462E 6R4839462G |  |

| Modello Model | Porte Doors | Configurazione Configurations | Foto Pictures | Connettore Connector | Cross OE | Alt. OE | Istruzioni Instructions |
|------------------|----------------|----------------------------------|------------------|-------------------------|----------|---------|----------------------------|
|------------------|----------------|----------------------------------|------------------|-------------------------|----------|---------|----------------------------|


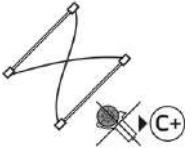





POLO VI (AW1, BZ1, AE1) 4 D 2017 ->

| | | | | | | | |
|---------|---|---|--|--|---|--|---|
| 30/2632 |  |  |  POWER WINDOW LEFT ALZACRISTALLI ELETTRICO SX | | 2G4837461A 2G4837461B | |  |
| 30/2631 |  |  |  POWER WINDOW LEFT ALZACRISTALLI ELETTRICO SX | | 2G4837462B 2G4837462C | | |
| 30/2646 |  |  |  POWER WINDOW LEFT ALZACRISTALLI ELETTRICO SX | | 2G6839461 2G6839461A 2G6839461B 2G6839461C | |  |
| 30/2645 |  |  |  POWER WINDOW LEFT ALZACRISTALLI ELETTRICO SX | | 2G6839462 2G6839462A 2G6839462B 2G6839462C | | |


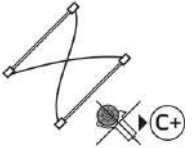





SANTANA (32B) 4 D 1981 -> 1985

| | | | | | | | |
|---------|---|---|--|--|--|---|---|
| 30/7401 |  |  |  POWER WINDOW RIGHT ALZACRISTALLI ELETTRICO DX |  | | 191837461* 191959801* 321837461* 321959801* |  |
| 30/7402 |  |  |  POWER WINDOW RIGHT ALZACRISTALLI ELETTRICO DX |  | | 191837462* 191959802* 321837462* 321959802* | |
| 30/7409 |  |  |  POWER WINDOW LEFT ALZACRISTALLI ELETTRICO SX |  | | 357837401* 357837401B* 357837401C* 357959801* |  |
| 30/7410 |  |  |  POWER WINDOW LEFT ALZACRISTALLI ELETTRICO SX |  | | 357837402B* 357837402C* 3A0837402B* 3A0959802* | |

SCIROCCO III (137, 138) 2 D 2008 -> 2018


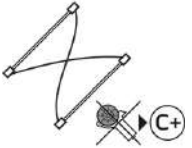




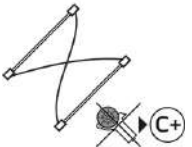



| | | | | | | | |
|---------|---|---|--|--|--|--|---|
| 30/1885 |  |  |  POWER WINDOW LEFT ALZACRISTALLI ELETTRICO SX | | | 1K8837461B* 1K8837461C* 1K8837461D* 1K8837461E* |  |
| 30/1884 |  |  |  POWER WINDOW LEFT ALZACRISTALLI ELETTRICO SX | | | 1K8837462B* 1K8837462C* 1K8837462D* 1K8837462E* | |

SHARAN (7M8, 7M9, 7M2) 4 D 1995 -> 2010

| | | | | | | | |
|---------|---|---|--|--|---|--|---|
| 30/1193 |  |  |  POWER WINDOW LEFT ALZACRISTALLI ELETTRICO SX | | 1021996 1107592 7M0837461 7M0837461A | |  |
| 30/1192 |  |  |  POWER WINDOW LEFT ALZACRISTALLI ELETTRICO SX | | 1021998 1107591 7M0837462 7M0837462A | | |

| Modello Model | Porte Doors | Configurazione Configurations | Foto Pictures | Connettore Connector | Cross OE | Alt. OE | Istruzioni Instructions |
|------------------|----------------|----------------------------------|------------------|-------------------------|----------|---------|----------------------------|
|------------------|----------------|----------------------------------|------------------|-------------------------|----------|---------|----------------------------|

SHARAN (7N1, 7N2) 4 D 2010 -> 2022

| | | | | | | | |
|---------|---|---|--|--|---|--|---|
| 30/1213 |  |  |  POWER WINDOW LEFT ALZACRISTALLI ELETTRICO SX | | 7N0837461 7N0837461D 7N0837461F | |  |
| 30/1212 |  | | | | 7N0837462 7N0837462D 7N0837462F | | |
| 30/1215 |  |  |  POWER WINDOW LEFT ALZACRISTALLI ELETTRICO SX | | 7N0839461 7N0843699C 7N0843699D 7N0843699E | |  |
| 30/1214 |  | | | | 7N0839462 7N0843700C 7N0843700D 7N0843700E | | |

T-CROSS (C11, D31) 4 D 2018 ->






| | | | | | | | |
|---------|---|---|---|--|--|--|---|
| 30/2720 |  |  |  POWER WINDOW RIGHT ALZACRISTALLI ELETTRICO DX | | 2GM837461A | |  |
| 30/2719 |  | | | | 2GM837462A | | |
| 30/2978 |  |  |  OE | | 2GM837461A 2GM837461B 2GM837461C | |  |
| 30/2979 |  | | | | 2GM837462A 2GM837462B 2GM837462C | | |
| 30/2770 |  |  |  POWER WINDOW RIGHT ALZACRISTALLI ELETTRICO DX | | 2GM839461D | |  |
| 30/2769 |  | | | | 2GM839462D | | |
| 30/2980 |  |  |  OE | | 2GM839461D 2GM839461E 2GM839461F | |  |
| 30/2981 |  | | | | 2GM839462D 2GM839462E 2GM839462F | | |

T-ROC (A11, D11) 4 D 2017 ->

| | | | | | | | |
|---------|---|---|--|--|--------------------------|--|---|
| 30/2630 |  |  |  POWER WINDOW LEFT ALZACRISTALLI ELETTRICO SX | | 2GA837461E 2GA837461F | |  |
| 30/2629 |  | | | | 2GA837462E 2GA837462F | | |

| Modello Model | Porte Doors | Configurazione Configurations | Foto Pictures | Connettore Connector | Cross OE | Alt. OE | Istruzioni Instructions |
|------------------|----------------|----------------------------------|------------------|-------------------------|----------|---------|----------------------------|
|------------------|----------------|----------------------------------|------------------|-------------------------|----------|---------|----------------------------|

T-ROC (A11, D11) 4 D 2017 ->


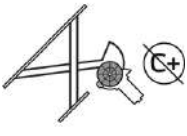




| | | | | | | | |
|---------|---|---|---|--|--------------------------|--|---|
| 30/2654 |  |  |  POWER WINDOW RIGHT ALZACRISTALLI ELETTRICO SX | | 2GA839461F 2GA839461G | |  |
| 30/2653 |  | | | | 2GA839462F 2GA839462G | | |

TAIGO (CS1) 4 D 2021 ->


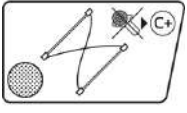




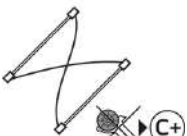



| | | | | | | | |
|---------|---|---|--|--|--------------------------|--|---|
| 30/2632 |  |  |  POWER WINDOW LEFT ALZACRISTALLI ELETTRICO SX | | 2G4837461A 2G4837461B | |  |
| 30/2631 |  | | | | 2G4837462B 2G4837462C | | |

| | | | | | | | |
|---------|--|--|---|--|---|--|--|
| 30/2646 |  |  |  POWER WINDOW LEFT ALZACRISTALLI ELETTRICO SX | | 2G6839461 2G6839461A 2G6839461B 2G6839461C | |  |
| 30/2645 |  | | | | 2G6839462 2G6839462A 2G6839462B 2G6839462C | | |

TARO (TYP 7A) 2 D 1989 -> 1997






| | | | | | | | |
|---------|---|---|---|--|---|--|---|
| 30/7385 |  |  |   | | 6980235010 6980289111 J6982004010 | |  |
| 30/7386 |  | | | | 6980135010 6980189113 J6981004010 | | |

TIGUAN (5N_) 4 D 2007 -> 2018


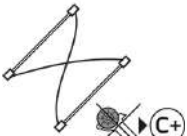








| | | | | | | | |
|---------|---|---|--|--|-----------|------------|---|
| 30/2257 |  |  |  POWER WINDOW LEFT ALZACRISTALLI ELETTRICO SX | | 5N0837461 | |  |
| 30/2256 |  | | | | 5N0837462 | | |
| 30/1755 |  |  |  POWER WINDOW LEFT ALZACRISTALLI ELETTRICO SX | | | 5N0837461* |  |
| 30/1754 |  | | | | | 5N0837462* | |

| Modello Model | Porte Doors | Configurazione Configurations | Foto Pictures | Connettore Connector | Cross OE | Alt. OE | Istruzioni Instructions |
|------------------|----------------|----------------------------------|------------------|-------------------------|----------|---------|----------------------------|
|------------------|----------------|----------------------------------|------------------|-------------------------|----------|---------|----------------------------|


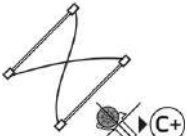




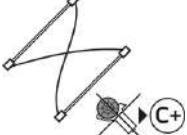



TIGUAN (5N_) 4 D 2007 -> 2018

| | | | | | | | |
|---------|---|---|---|--|--|---------------------------|---|
| 30/7413 |  |  |  | | | 5N0839461* 5N0839461A* |  |
| 30/7414 |  | | | | | 5N0839462* 5N0839462A* | |

TIGUAN (AD1, AX1) 4 D 2007 -> 2018

| | | | | | | | |
|---------|---|--|--|--|--|----------------------------|--|
| 30/2638 |  |  |  | | | 5NA837461* 5NA837461A* |  |
| 30/2637 |  | | | | | 5NA837462* 5NA837462A* | |
| 30/2640 |  |  |  | | | 5NA839461B* 5NA839461C* |  |
| 30/2639 |  | | | | | 5NA839462B* 5NA839462C* | |

TOUAREG (7LA, 7L6, 7L7) 4 D 2002 -> 2013


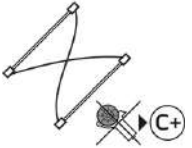



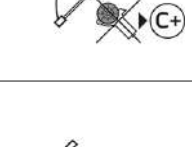


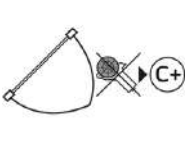





| | | | | | | | |
|---------|---|---|---|--|--|--|---|
| 30/1418 |  |  |  | | 95554246100 95554246101 95554246102 95554246103 | |  |
| 30/1417 |  | | | | 95554246200 95554246201 95554246202 95554246203 | | |
| 30/2181 |  |  |  | | 95553346100 95553346101 95553346102 95553346103 | |  |
| 30/2180 |  | | | | 95553346200 95553346201 95553346202 95553346203 | | |

TOURAN (1T1, 1T2, 1T3) 4 D 2003 -> 2011


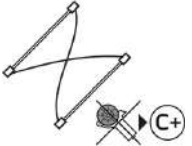



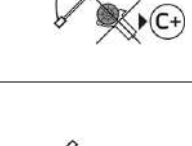


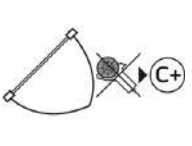





| | | | | | | | |
|---------|---|---|---|--|--|--|---|
| 30/2259 |  |  |  | | 1T0837461 1T0837461E 1T1837461 1T1837461A | |  |
| 30/2258 |  | | | | 1T0837462 1T0837462G 1T1837462 1T1837462A | | |

| Modello Model | Porte Doors | Configurazione Configurations | Foto Pictures | Connettore Connector | Cross OE | Alt. OE | Istruzioni Instructions |
|------------------|----------------|----------------------------------|------------------|-------------------------|----------|---------|----------------------------|
|------------------|----------------|----------------------------------|------------------|-------------------------|----------|---------|----------------------------|

TOURAN (1T1, 1T2, 1T3) 4 D 2003 -> 2011

| | | | | | | | |
|---------|---|---|---|--|--|--|---|
| 30/1414 |  |  |  A FRONT WINDOW LEFT ALZACRISTALLI/LETTREDDAS | | | 1T0837461* 1T0837461E* 1T1837461* 1T1837461A* |  |
| 30/1413 |  |  | | | | 1T0837462* 1T0837462G* 1T1837462* 1T1837462A* |  |
| 30/2127 |  |  |  A FRONT WINDOW LEFT ALZACRISTALLI/LETTREDDAS | | | 1T0839461A* 1T0839461P* 1T0839461H* 1T0839461M* |  |
| 30/2126 |  |  | | | | 1T0839462A* 1T0839462H* 1T0839462M* 1T0839462P* |  |

TOURAN (5T1) 4 D 2015 ->

| | | | | | | | |
|---------|---|---|---|--|---------------------------------------|---------------------------|---|
| 30/2636 |  |  |  OE | | | 5TA837461* 5TA837461A* |  |
| 30/2635 |  |  | | | | 5TA837462* 5TA837462A* |  |
| 30/2674 |  |  |  OE | | 5TA839461 5TA839461A 5TA839461B | |  |
| 30/2673 |  |  | | | 5TA839462 5TA839462A 5TA839462B | |  |

TRANSPORTER T4 2 D 1990 -> 2004


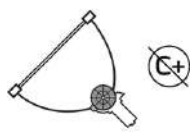





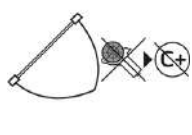



| | | | | | | | |
|---------|---|---|--|--|--|---|---|
| 30/1358 |  |  |  FRONT WINDOW LEFT ALZACRISTALLI/LETTREDDAS |  | | 701837461* 701837461A* 701959801* |  |
| 30/1357 |  |  | | | | 701837462* 701837462A* 701959802* |  |

TRANSPORTER T5 2 D 2003 -> 2016


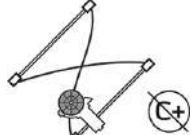





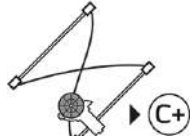




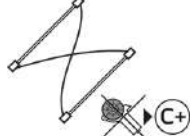



| | | | | | | | |
|---------|---|---|---|--|--------------------------|--|---|
| 30/1517 |  |  |  A FRONT WINDOW LEFT ALZACRISTALLI/LETTREDDAS | | 7H0837753B 7H0837753C | |  |
| 30/1516 |  |  | | | 7H0837754B 7H0837754C | |  |

| Modello Model | Porte Doors | Configurazione Configurations | Foto Pictures | Connettore Connector | Cross OE | Alt. OE | Istruzioni Instructions |
|------------------|----------------|----------------------------------|------------------|-------------------------|----------|---------|----------------------------|
|------------------|----------------|----------------------------------|------------------|-------------------------|----------|---------|----------------------------|


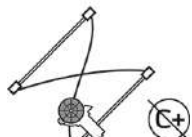





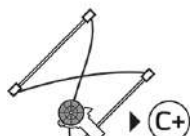




UP! 2 D 2011 ->

| | | | | | | | |
|---------|---|---|--|--|------------|--|---|
| 30/1753 |  |  |  A POWER WINDOW LEFT ALZACRISTALLI ELETTRICI SX |  | | 1S0959802* 1S3837461A* 6RU959802* 1 |  |
| 30/1752 |  | | | | | 1S3837462A* 6RU959801* 6RU959801000 * | |
| 30/1757 |  |  |  POWER WINDOW LEFT ALZACRISTALLI ELETTRICI SX A | | 1S3837461A | |  |
| 30/1756 |  | | | | 1S3837462A | | |

VENTO (1H2) 2 D 1991 -> 2000

| | | | | | | | |
|---------|---|---|--|--|-------------------------|--|---|
| 30/812 |  |  |  POWER WINDOW LEFT ALZACRISTALLI ELETTRICI SX |  | | 1H0837461* 1H0837461A* 1H0837462* |  |
| 30/811 |  | | | | | 1H0837462* 1H0837462A* 1H0837462C* | |
| 30/812C |  |  |  POWER WINDOW LEFT ALZACRISTALLI ELETTRICI SX |  | | 1H0837461* 1H0837461A* 1H0959801A* |  |
| 30/811C |  | | | | | 1H0837462* 1H0837462C* 1H0959802A* | |
| 30/1008 |  |  |  A POWER WINDOW LEFT ALZACRISTALLI ELETTRICI SX | | 1H0837461 1H0837461A | |  |
| 30/1007 |  | | | | 1H0837462 1H0837462A | | |

VENTO (1H2) 4 D 1991 -> 2000

| | | | | | | | |
|---------|---|---|--|--|--|--|---|
| 30/812 |  |  |  POWER WINDOW LEFT ALZACRISTALLI ELETTRICI SX |  | | 1H0837461* 1H0837461A* 1H0837462* |  |
| 30/811 |  | | | | | 1H0837462* 1H0837462A* 1H0837462C* | |
| 30/812C |  |  |  POWER WINDOW LEFT ALZACRISTALLI ELETTRICI SX |  | | 1H0837461* 1H0837461A* 1H0959801A* |  |
| 30/811C |  | | | | | 1H0837462* 1H0837462C* 1H0959802A* | |

| Modello Model | Porte Doors | Configurazione Configurations | Foto Pictures | Connettore Connector | Cross OE | Alt. OE | Istruzioni Instructions |
|------------------|----------------|----------------------------------|------------------|-------------------------|----------|---------|----------------------------|
|------------------|----------------|----------------------------------|------------------|-------------------------|----------|---------|----------------------------|

VENTO (1H2) 4 D 1991 -> 2000

| | | | | | | | |
|---------|--|--|--|--|-------------------------|---|--|
| 30/1008 | | | | | 1H0837461 1H0837461A | | |
| 30/1007 | | | | | 1H0837462 1H0837462A | | |
| 30/7403 | | | | | | 1H4839461* 1H4839461A* 1H4959811* | |
| 30/7404 | | | | | | 1H4839462* 1H4839462A* 1H4959812* | |
| 30/7405 | | | | | 1H4839461 1H4839461A | | |
| 30/7406 | | | | | 1H4839462 1H4839462A | | |

| Modello Model | Porte Doors | Configurazione Configurations | Foto Pictures | Connettore Connector | Cross OE | Alt. OE | Istruzioni Instructions |
|------------------|----------------|----------------------------------|------------------|-------------------------|----------|---------|----------------------------|
|------------------|----------------|----------------------------------|------------------|-------------------------|----------|---------|----------------------------|

240 (P242, P244) 4 D 1974 -> 1993

| | | | | | | | |
|---------|--|--|--|--|---------|--|--|
| 30/7415 | | | | | 1255175 | | |
| 30/7416 | | | | | 1255176 | | |

244 (P242, P244) 2 D 1974 -> 1993

| | | | | | | | |
|---------|--|--|--|--|---------|--|--|
| 30/7415 | | | | | 1255175 | | |
| 30/7416 | | | | | 1255176 | | |

245 POLAR (P245) 2 D 1974 -> 1993

| | | | | | | | |
|---------|--|--|--|--|---------|--|--|
| 30/7415 | | | | | 1255175 | | |
| 30/7416 | | | | | 1255176 | | |

480 (482) 2 D 1986 -> 1996

| | | | | | | | |
|---------|--|--|--|--|---------|--|--|
| 30/7417 | | | | | 3465272 | | |
| 30/7418 | | | | | 3465273 | | |

740 (744) 2 D 1983 -> 1992

| | | | | | | | |
|---------|--|--|--|--|--------------------|--|--|
| 30/7419 | | | | | 3503520 3528565 | | |
| 30/7420 | | | | | 3503521 3528566 | | |

760 (704, 764) 4 D 1981 -> 1992

| | | | | | | | |
|---------|--|--|--|--|--------------------|--|--|
| 30/7419 | | | | | 3503520 3528565 | | |
| 30/7420 | | | | | 3503521 3528566 | | |

| Modello Model | Porte Doors | Configurazione Configurations | Foto Pictures | Connettore Connector | Cross OE | Alt. OE | Istruzioni Instructions |
|------------------|----------------|----------------------------------|------------------|-------------------------|----------|---------|----------------------------|
|------------------|----------------|----------------------------------|------------------|-------------------------|----------|---------|----------------------------|

940 (944) 4 D 1990 -> 1998

| | | | | | | | |
|---------|--|--|--|--|-------------------------------|--|--|
| 30/7421 | | | | | 3528561 3528565 3538175 | | |
| 30/7422 | | | | | 3528562 3528566 3538176 | | |

960 I & 960 II (964) 4 D 1990 -> 1996

| | | | | | | | |
|---------|--|--|--|--|-------------------------------|--|--|
| 30/7421 | | | | | 3528561 3528565 3538175 | | |
| 30/7422 | | | | | 3528562 3528566 3538176 | | |

C30 (533) 2 D 2006 -> 2013

| | | | | | | | |
|---------|--|--|--|--|----------------------------------|--|--|
| 30/1977 | | | | | 30661055 30784497 30784509 | | |
| 30/1976 | | | | | 30661056 30784498 30784510 | | |

C30 (533) 4 D 2006 -> 2013


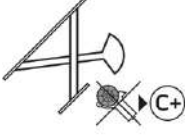




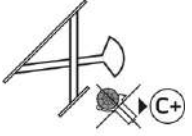



| | | | | | | | |
|---------|--|--|--|--|----------------------------------|--|--|
| 30/1977 | | | | | 30661055 30784497 30784509 | | |
| 30/1976 | | | | | 30661056 30784498 30784510 | | |

S40 I (644) 4 D 1995 -> 2004

| | | | | | | | |
|---------|--|--|--|--|--|--|--|
| 30/1368 | | | | | 30623448 30802405 30860191 30865716 | | |
| 30/1367 | | | | | 30623449 30802406 30860192 30865717 | | |
| 30/1370 | | | | | 30623452 30802872 30865720 | | |
| 30/1369 | | | | | 30623453 30802873 30865721 | | |

| Modello Model | Porte Doors | Configurazione Configurations | Foto Pictures | Connettore Connector | Cross OE | Alt. OE | Istruzioni Instructions |
|------------------|----------------|----------------------------------|------------------|-------------------------|----------|---------|----------------------------|
|------------------|----------------|----------------------------------|------------------|-------------------------|----------|---------|----------------------------|


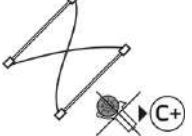




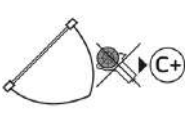



S40 II (544) 4 D 2003 -> 2012

| | | | | | | | |
|---------|---|---|---|--|---|--|---|
| 30/1943 |  |  |  | | 1255641 1457171 1480793 1527955 | |  |
| 30/1942 |  | | | | 1231145 1255640 1457170 1480792 | | |
| 30/1945 |  |  |  | | 1527980 1698425 1738647 30663572 | |  |
| 30/1944 |  | | | | 1527970 1698424 1738648 30663573 | | |

S60 I (384) 4 D 2000 -> 2010

| | | | | | | | |
|---------|--|--|--|---|--|--|--|
| 30/1253 |  |  |  |  | 8626847 8626964 9203897 9485357 | |  |
| 30/1252 |  | | | | 8626848 8626965 9203898 9485358 | | |

S60 II (134) 4 D 2010 -> 2019

| | | | | | | | |
|---------|---|---|---|--|----------------------|--|---|
| 30/1995 |  |  |  | | 31276330 31349486 | |  |
| 30/1994 |  | | | | 31276331 31349487 | | |
| 30/1997 |  |  |  | | 30784308 | |  |
| 30/1996 |  | | | | 30784309 | | |

S80 I (184) 4 D 1998 -> 2008

| | | | | | | | |
|---------|---|---|---|--|--|--|---|
| 30/1253 |  |  |  |  | 8626847 8626964 9203897 9485357 | |  |
| 30/1252 |  | | | | 8626848 8626965 9203898 9485358 | | |

| Modello Model | Porte Doors | Configurazione Configurations | Foto Pictures | Connettore Connector | Cross OE | Alt. OE | Istruzioni Instructions |
|------------------|----------------|----------------------------------|------------------|-------------------------|----------|---------|----------------------------|
|------------------|----------------|----------------------------------|------------------|-------------------------|----------|---------|----------------------------|

S80 II (124) 2 D 2006 -> 2016

| | | | | | | | |
|---------|--|--|--|--|----------------------------------|--|--|
| 30/1977 | | | | | 30661055 30784497 30784509 | | |
| 30/1976 | | | | | 30661056 30784498 30784510 | | |

S80 II (124) 4 D 2006 -> 2016

| | | | | | | | |
|---------|--|--|--|--|----------------------------------|--|--|
| 30/1977 | | | | | 30661055 30784497 30784509 | | |
| 30/1976 | | | | | 30661056 30784498 30784510 | | |

| | | | | | | | |
|---------|--|--|--|--|--|--|--|
| 30/1253 | | | | | 8626847 8626964 9203897 9485357 | | |
| 30/1252 | | | | | 8626848 8626965 9203898 9485358 | | |

| | | | | | | | |
|---------|--|--|--|--|----------------------|--|--|
| 30/2309 | | | | | 30661057 30784511 | | |
| 30/2308 | | | | | 30661058 30784512 | | |







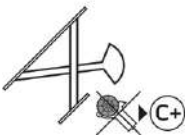



V40 STATION WAGON (645) 4 D 1995 -> 2004

| | | | | | | | |
|---------|--|--|--|--|--|--|--|
| 30/1368 | | | | | 30623448 30802405 30860191 30865716 | | |
| 30/1367 | | | | | 30623449 30802406 30860192 30865717 | | |


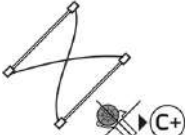




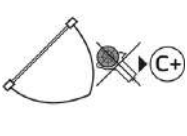



| | | | | | | | |
|---------|--|--|--|--|----------------------------------|--|--|
| 30/1370 | | | | | 30623452 30802872 30865720 | | |
| 30/1369 | | | | | 30623453 30802873 30865721 | | |

| Modello Model | Porte Doors | Configurazione Configurations | Foto Pictures | Connettore Connector | Cross OE | Alt. OE | Istruzioni Instructions |
|------------------|----------------|----------------------------------|------------------|-------------------------|----------|---------|----------------------------|
|------------------|----------------|----------------------------------|------------------|-------------------------|----------|---------|----------------------------|

V50 (545) 4 D 2003 -> 2012

| | | | | | | | |
|---------|---|---|---|--|---|--|---|
| 30/1943 |  |  |  | | 1255641 1457171 1480793 1527955 | |  |
| 30/1942 |  | | | | 1231145 1255640 1457170 1480792 | | |
| 30/1945 |  |  |  | | 1527980 1698425 1738647 30663572 | |  |
| 30/1944 |  | | | | 1527970 1698424 1738648 30663573 | | |

V60 (155, 157) 4 D 2010 -> 2018

| | | | | | | | |
|---------|---|---|---|--|----------------------|--|---|
| 30/1995 |  |  |  | | 31276330 31349486 | |  |
| 30/1994 |  | | | | 31276331 31349487 | | |
| 30/1997 |  |  |  | | 30784308 | |  |
| 30/1996 |  | | | | 30784309 | | |

V70 II (285) 4 D 1999 -> 2008

| | | | | | | | |
|---------|---|---|---|--|--|--|---|
| 30/1253 |  |  |  |  | 8626847 8626964 9203897 9485357 | |  |
| 30/1252 |  | | | | 8626848 8626965 9203898 9485358 | | |

V70 III (135) 2 D 2007 -> 2016

| | | | | | | | |
|---------|---|---|---|--|----------------------------------|--|---|
| 30/1977 |  |  |  | | 30661055 30784497 30784509 | |  |
| 30/1976 |  | | | | 30661056 30784498 30784510 | | |

| Modello Model | Porte Doors | Configurazione Configurations | Foto Pictures | Connettore Connector | Cross OE | Alt. OE | Istruzioni Instructions |
|------------------|----------------|----------------------------------|------------------|-------------------------|----------|---------|----------------------------|
|------------------|----------------|----------------------------------|------------------|-------------------------|----------|---------|----------------------------|

V70 III (135) 4 D 2007 -> 2016

| | | | | | | | |
|---------|--|--|--|--|----------------------------------|--|--|
| 30/1977 | | | | | 30661055 30784497 30784509 | | |
| 30/1976 | | | | | 30661056 30784498 30784510 | | |
| 30/2309 | | | | | 30661057 30784511 | | |
| 30/2308 | | | | | 30661058 30784512 | | |

XC60 I (156) 4 D 2008 -> 2017

| | | | | | | | |
|---------|--|--|--|--|----------|--|--|
| 30/2099 | | | | | 30784828 | | |
| 30/2098 | | | | | 30784829 | | |
| 30/2311 | | | | | 30791019 | | |
| 30/2310 | | | | | 30791020 | | |

XC70 CROSS COUNTRY (295) 4 D 1997 -> 2007


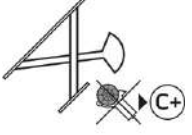




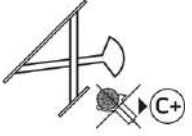



| | | | | | | | |
|---------|--|--|--|--|--|--|--|
| 30/1253 | | | | | 8626847 8626964 9203897 9485357 | | |
| 30/1252 | | | | | 8626848 8626965 9203898 9485358 | | |

XC70 II (136) 2 D 2007 -> 2016


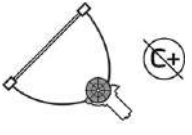




| | | | | | | | |
|---------|--|--|--|--|----------------------------------|--|--|
| 30/1977 | | | | | 30661055 30784497 30784509 | | |
| 30/1976 | | | | | 30661056 30784498 30784510 | | |

| Modello Model | Porte Doors | Configurazione Configurations | Foto Pictures | Connettore Connector | Cross OE | Alt. OE | Istruzioni Instructions |
|------------------|----------------|----------------------------------|------------------|-------------------------|----------|---------|----------------------------|
|------------------|----------------|----------------------------------|------------------|-------------------------|----------|---------|----------------------------|

XC70 II (136) 4 D 2007 -> 2016












| | | | | | | | |
|---------|---|---|---|--|----------------------------------|--|---|
| 30/1977 |  |  |  | | 30661055 30784497 30784509 | |  |
| 30/1976 |  | | | | 30661056 30784498 30784510 | | |
| 30/2309 |  |  |  | | 30661057 30784511 | |  |
| 30/2308 |  | | | | 30661058 30784512 | | |

XC90 I (275) 4 D 2002 -> 2015

| | | | | | | | |
|---------|--|--|--|---|---------------------|--|--|
| 30/1255 |  |  |  |  | 8626322 31253721 | |  |
| 30/1254 |  | | | | 8626323 31253722 | | |

| Modello Model | Porte Doors | Configurazione Configurations | Foto Pictures | Connettore Connector | Cross OE | Alt. OE | Istruzioni Instructions |
|------------------|----------------|----------------------------------|------------------|-------------------------|----------|---------|----------------------------|
|------------------|----------------|----------------------------------|------------------|-------------------------|----------|---------|----------------------------|

FE 2 D 2006 ->

| | | | | | | | |
|---------|---|---|---|--|---|--|---|
| 30/1521 |  |  |  |  | 1400753 1705698 1707356 1714809 | |  |
| 30/1520 |  | | | | 1400754 1705699 1707357 20557554 | | |
| 30/247B |  |  |  | | 5010301991 7482497191 | |  |
| 30/247 |  | | | | 5010301992 7482497192 | | |












FH I 2 D 2005 ->

| | | | | | | | |
|---------|--|--|--|---|---------|--|--|
| 30/2119 |  |  |  |  | 3176541 | |  |
| 30/2118 |  | | <small>POWER WINDOW LEFT ALZACRISTALLI ELETTRICI SX</small> | | 3176542 | | |

FH4 2 D 2016 ->

| | | | | | | | |
|---------|---|---|---|--|--|------------------------|---|
| 30/2660 |  |  |  | | | 84225944* 84225998* |  |
| 30/2659 |  | | <small>POWER WINDOW RIGHT ALZACRISTALLI ELETTRICI DX</small> | | | 84225953* 84226000* | |

FL II 2 D 2006 ->

| | | | | | | | |
|---------|---|---|---|--|---|--|---|
| 30/1521 |  |  |  |  | 1400753 1705698 1707356 1714809 | |  |
| 30/1520 |  | | | | 1400754 1705699 1707357 20557554 | | |
| 30/247B |  |  |  | | 5010301991 7482497191 | |  |
| 30/247 |  | | | | 5010301992 7482497192 | | |

| Modello Model | Porte Doors | Configurazione Configurations | Foto Pictures | Connettore Connector | Cross OE | Alt. OE | Istruzioni Instructions |
|------------------|----------------|----------------------------------|------------------|-------------------------|----------|---------|----------------------------|
|------------------|----------------|----------------------------------|------------------|-------------------------|----------|---------|----------------------------|

FM 2 D 2005 ->

| | | | | | | | |
|---------|--|--|--|--|---------|--|--|
| 30/2119 | | | | | 3176541 | | |
| 30/2118 | | | | | 3176542 | | |

FMX SERIES 2 D 2010 ->

| | | | | | | | |
|---------|--|--|--|--|---------|--|--|
| 30/2119 | | | | | 3176541 | | |
| 30/2118 | | | | | 3176542 | | |

TAVOLE DI COMPARAZIONE / CROSS REFERENCE GUIDE

Alzacristalli / Window



| Rif. adattabilità Compatible OEM ref. | Ns. rif. Our Ref. | Rif. adattabilità Compatible OEM ref. | Ns. rif. Our Ref. | Rif. adattabilità Compatible OEM ref. | Ns. rif. Our Ref. |
|--|----------------------|--|----------------------|--|----------------------|
| 000033962* | 30/1054 | 0K55259560B | 30/1635 | 1024529 | 30/781 |
| 000033962* | 30/1054 | 0K5525956Y* | 30/1797 | 1024531 | 30/782 |
| 000439282* | 30/1585 | 1007966 | 30/828 | 1024540 | 30/779 |
| 000488947* | 30/2801 | 1008918 | 30/779 | 1024541 | 30/780 |
| 000510614* | 30/2802 | 1008920 | 30/780 | 1029191* | 30/7087 |
| 000678895* | 30/7232 | 1012435* | 30/877 | 1029192* | 30/7086 |
| 0058209042* | 30/1777 | 1012437* | 30/878 | 1031856 | 30/805 |
| 0058209142* | 30/1776 | 1012438* | 30/7087 | 1031858 | 30/806 |
| 0K2FA58560 | 30/2332 | 1012439* | 30/7086 | 1031860 | 30/7080 |
| 0K2FA58560A | 30/2332 | 1012608 | 30/2068 | 1031861 | 30/7079 |
| 0K2FA58560B | 30/2332 | 1012612 | 30/277 | 1033650 | 30/2069 |
| 0K2FA58560C | 30/2332 | 1012838 | 30/277B | 1034831* | 30/878 |
| 0K2FA5856Y* | 30/1796 | 1018768* | 30/7087 | 1034836* | 30/877 |
| 0K2FA59560 | 30/2333 | 1018772* | 30/7086 | 1034939* | 30/878 |
| 0K2FA59560A | 30/2333 | 1021039 | 30/781 | 1034940* | 30/877 |
| 0K2FA59560B | 30/2333 | 1021728* | 30/7087 | 1035264* | 30/877 |
| 0K2FA59560C | 30/2333 | 1021996 | 30/1193 | 1035265* | 30/878 |
| 0K2FA5956Y* | 30/1797 | 1021996 | 30/1193 | 1042119* | 30/7087 |
| 0K2FA5956Y* | 30/1799 | 1021996 | 30/1193 | 1042121* | 30/7086 |
| 0K2FA7256Y* | 30/1796 | 1021998 | 30/1192 | 1048940 | 30/827 |
| 0K2FA7256Y* | 30/1798 | 1021998 | 30/1192 | 1048941 | 30/828 |
| 0K2FA7356Y* | 30/1797 | 1021998 | 30/1192 | 1049130 | 30/829 |
| 0K2FA7356Y* | 30/1799 | 1022280 | 30/829 | 1049130 | 30/829 |
| 0K55258560 | 30/1634 | 1022280 | 30/829 | 1049131 | 30/830 |
| 0K55258560A | 30/1634 | 1022283 | 30/830 | 1049131 | 30/830 |
| 0K55258560B | 30/1634 | 1022283 | 30/830 | 1049968 | 30/781 |
| 0K5525856Y* | 30/1796 | 1022285 | 30/830 | 1049969 | 30/782 |
| 0K5525856Y* | 30/1798 | 1022285 | 30/830 | 1049970 | 30/779 |
| 0K55259560 | 30/1635 | 1022289 | 30/827 | 1049971 | 30/780 |
| 0K55259560A | 30/1635 | 1022294 | 30/828 | 1052174 | 30/277B |

TAVOLE DI COMPARAZIONE / CROSS REFERENCE GUIDE

Alzacristalli / Window



| Rif. adattabilità Compatible OEM ref. | Ns. rif. Our Ref. | Rif. adattabilità Compatible OEM ref. | Ns. rif. Our Ref. | Rif. adattabilità Compatible OEM ref. | Ns. rif. Our Ref. |
|--|----------------------|--|----------------------|--|----------------------|
| 1052175 | 30/2068 | 1107592 | 30/1193 | 1149818 | 30/943 |
| 1052176 | 30/277 | 1115800 | 30/1094 | 1149820 | 30/944 |
| 1052177 | 30/2069 | 1115801 | 30/1095 | 1202377* | 30/1606 |
| 10524550280001 | 30/16ED | 111837501K* | 30/2746 | 1202378* | 30/1607 |
| 10524550290001 | 30/16ES | 111837502K* | 30/2745 | 1202379* | 30/1607 |
| 1054850 | 30/839 | 1126605 | 30/943 | 1202386 | 30/7085 |
| 1054851 | 30/840 | 1126606 | 30/944 | 1204033* | 30/1606 |
| 1059785* | 30/7086 | 1134359 | 30/1126 | 1205750 | 30/2150 |
| 1079231 | 30/830 | 1134360 | 30/1127 | 1205750* | 30/1606 |
| 1079231 | 30/830 | 1138071 | 30/839 | 1205750* | 30/1608 |
| 1079233 | 30/829 | 1138072 | 30/840 | 1206824 | 30/2151 |
| 1079233 | 30/829 | 1138203* | 30/1013 | 1206824* | 30/1607 |
| 1079235 | 30/828 | 1138203* | 30/1065 | 1206824* | 30/1609 |
| 1091623* | 30/1013 | 1138204* | 30/1014 | 1207126* | 30/1689 |
| 1091623* | 30/1065 | 1138204* | 30/1066 | 1207126* | 30/7273 |
| 1091624* | 30/1014 | 1138208 | 30/943 | 1207127* | 30/1688 |
| 1091624* | 30/1066 | 1138210 | 30/944 | 1207127* | 30/7274 |
| 1092548 | 30/944 | 1138216 | 30/1499 | 1218652 | 30/2021 |
| 1094927* | 30/1013 | 1138216* | 30/880 | 1218652* | 30/1605 |
| 1094927* | 30/1065 | 1142894 | 30/1498 | 1218655 | 30/2020 |
| 1097577 | 30/839 | 1143004* | 30/1013 | 1225606 | 30/7085 |
| 1097578 | 30/840 | 1143004* | 30/1065 | 1225776* | 30/1606 |
| 1100184 | 30/827 | 1143005* | 30/1014 | 1225778* | 30/1607 |
| 1100187 | 30/828 | 1143005* | 30/1066 | 1225874 | 30/1937 |
| 1105707 | 30/944 | 1149613 | 30/1498 | 1225874* | 30/1609 |
| 1107591 | 30/1192 | 1149615 | 30/1499 | 1231145 | 30/1942 |
| 1107591 | 30/1192 | 1149694 | 30/1498 | 1231145 | 30/1942 |
| 1107591 | 30/1192 | 1149694* | 30/879 | 1255175 | 30/7415 |
| 1107592 | 30/1193 | 1149810 | 30/1499 | 1255176 | 30/7416 |
| 1107592 | 30/1193 | 1149810* | 30/880 | 1255640 | 30/1942 |

TAVOLE DI COMPARAZIONE / CROSS REFERENCE GUIDE

Alzacristalli / Window



| Rif. adattabilità Compatible OEM ref. | Ns. rif. Our Ref. | Rif. adattabilità Compatible OEM ref. | Ns. rif. Our Ref. | Rif. adattabilità Compatible OEM ref. | Ns. rif. Our Ref. |
|--|----------------------|--|----------------------|--|----------------------|
| 1255640 | 30/1942 | 12793730* | 30/996 | 13173073* | 30/1426C |
| 1255641 | 30/1943 | 12793731* | 30/995 | 13173074* | 30/1425C |
| 1255641 | 30/1943 | 12802322* | 30/996 | 1318772 | 30/1115 |
| 1255939* | 30/1606 | 12802323* | 30/995 | 1318772* | 30/1605 |
| 1255942* | 30/1607 | 12805988 | 30/1810 | 13188503 | 30/224B |
| 1255946 | 30/7085 | 12805988* | 30/7332 | 13188504 | 30/224 |
| 1255981 | 30/1936 | 13100423* | 30/1187 | 1320337080 | 30/181 |
| 1255981* | 30/1608 | 13100424* | 30/1186 | 1320337080 | 30/181 |
| 1255983 | 30/1937 | 13101478* | 30/1695 | 1320337080 | 30/181 |
| 1255983* | 30/1609 | 13101479* | 30/1694 | 1320338080 | 30/181B |
| 12755681 | 30/1811 | 13101480* | 30/1695 | 1320338080 | 30/181B |
| 12755681* | 30/7331 | 13101481* | 30/1694 | 1320338080 | 30/181B |
| 12755682 | 30/1810 | 1311035080 | 30/181 | 1320873 | 30/1126 |
| 12755682* | 30/7332 | 1311035080 | 30/181 | 1320875 | 30/1127 |
| 12755683 | 30/1811 | 1311035080 | 30/181 | 1322757080 | 30/744 |
| 12755683* | 30/7331 | 1311036080 | 30/181B | 1322757080 | 30/744 |
| 12755684 | 30/1810 | 1311036080 | 30/181B | 1322757080 | 30/744 |
| 12755684* | 30/7332 | 1311036080 | 30/181B | 1322758080 | 30/745 |
| 12763707 | 30/1812 | 13132231* | 30/1191 | 1322758080 | 30/745 |
| 12763708 | 30/1813 | 13132232* | 30/1190 | 1322758080 | 30/745 |
| 12788911 | 30/1811 | 13132434* | 30/7285 | 1326189 | 30/7085 |
| 12788911* | 30/7331 | 13132435* | 30/7286 | 13289448 | 30/3126 |
| 12788912 | 30/1810 | 1313851080 | 30/744 | 13289449 | 30/3127 |
| 12788912* | 30/7332 | 1313851080 | 30/744 | 13290261 | 30/1679 |
| 12788913* | 30/996 | 1313851080 | 30/744 | 13290262 | 30/1678 |
| 12788914* | 30/995 | 1313852080 | 30/745 | 13298153 | 30/992 |
| 12793728 | 30/1811 | 1313852080 | 30/745 | 13298153* | 30/1344 |
| 12793728* | 30/7331 | 1313852080 | 30/745 | 13298154 | 30/991 |
| 12793729 | 30/1810 | 13173069 | 30/2380 | 13298154* | 30/1343 |
| 12793729* | 30/7332 | 13173070 | 30/2381 | 13306923* | 30/1681 |

TAVOLE DI COMPARAZIONE / CROSS REFERENCE GUIDE

Alzacristalli / Window



| Rif. adattabilità Compatible OEM ref. | Ns. rif. Our Ref. | Rif. adattabilità Compatible OEM ref. | Ns. rif. Our Ref. | Rif. adattabilità Compatible OEM ref. | Ns. rif. Our Ref. |
|--|----------------------|--|----------------------|--|----------------------|
| 13306924* | 30/1680 | 1337218* | 30/1606 | 1340453080* | 30/1229 |
| 1331309 | 30/1114 | 1337219 | 30/1119 | 13406673* | 30/2596 |
| 1331309* | 30/1604 | 1337219* | 30/1607 | 13406674* | 30/2595 |
| 1331312 | 30/1115 | 1337220* | 30/1607 | 13406677* | 30/2618 |
| 1331312* | 30/1605 | 1337222 | 30/1936 | 13406678* | 30/2617 |
| 13313568 | 30/1487 | 1337222* | 30/1608 | 13408526* | 30/1875 |
| 13313569 | 30/1486 | 1338216* | 30/880 | 13408527* | 30/1874 |
| 13313573* | 30/1489 | 1340398080 | 30/985 | 1341395080 | 30/744 |
| 13313574* | 30/1488 | 1340398080 | 30/985 | 1341395080 | 30/744 |
| 1331605* | 30/1013 | 1340398080 | 30/985 | 1341395080 | 30/744 |
| 1331605* | 30/1065 | 1340398080* | 30/7044 | 1341396080 | 30/745 |
| 1331606* | 30/1014 | 1340398080* | 30/1550B | 1341396080 | 30/745 |
| 1331606* | 30/1066 | 1340398080* | 30/1228 | 1341396080 | 30/745 |
| 1331612 | 30/1498 | 1340398080* | 30/7044 | 13447038 | 30/992 |
| 1331612* | 30/879 | 1340398080* | 30/1550B | 13447038* | 30/1344 |
| 1331614 | 30/1499 | 1340398080* | 30/1228 | 13447039 | 30/991 |
| 1331614* | 30/880 | 1340398080* | 30/7044 | 13447039* | 30/1343 |
| 1331616 | 30/1498 | 1340398080* | 30/1550B | 13457671* | 30/2690 |
| 1331617 | 30/1499 | 1340398080* | 30/1228 | 13457672* | 30/2689 |
| 1331618 | 30/943 | 1340453080 | 30/986 | 13457704* | 30/2704 |
| 1331619 | 30/944 | 1340453080 | 30/986 | 13457705* | 30/2703 |
| 13349957* | 30/2594 | 1340453080 | 30/986 | 1354699090 | 30/278 |
| 13349958* | 30/2593 | 1340453080* | 30/7043 | 1354699090 | 30/278 |
| 13350762* | 30/1489 | 1340453080* | 30/1551B | 1354699090 | 30/278 |
| 13350764* | 30/1488 | 1340453080* | 30/1229 | 1354700080* | 30/1226 |
| 13369285* | 30/1683 | 1340453080* | 30/7043 | 1354700080* | 30/1226 |
| 13369286* | 30/1682 | 1340453080* | 30/1551B | 1354700080* | 30/1226 |
| 13369289* | 30/1685 | 1340453080* | 30/1229 | 1354702 | 30/2067 |
| 13369290* | 30/1684 | 1340453080* | 30/7043 | 1354703 | 30/2066 |
| 1337217* | 30/1606 | 1340453080* | 30/1551B | 1354725080 | 30/278B |

TAVOLE DI COMPARAZIONE / CROSS REFERENCE GUIDE

Alzacristalli / Window



| Rif. adattabilità Compatible OEM ref. | Ns. rif. Our Ref. | Rif. adattabilità Compatible OEM ref. | Ns. rif. Our Ref. | Rif. adattabilità Compatible OEM ref. | Ns. rif. Our Ref. |
|--|----------------------|--|----------------------|--|----------------------|
| 1354725080 | 30/278B | 1366564080 | 30/986 | 1368043080 | 30/986 |
| 1354725080 | 30/278B | 1366564080 | 30/986 | 1368043080* | 30/7043 |
| 1354726080* | 30/1227 | 1366564080* | 30/7043 | 1368043080* | 30/1551B |
| 1354726080* | 30/1227 | 1366564080* | 30/1551B | 1368043080* | 30/1229 |
| 1354726080* | 30/1227 | 1366564080* | 30/1229 | 1368043080* | 30/7043 |
| 1358175080 | 30/985 | 1366564080* | 30/7043 | 1368043080* | 30/1551B |
| 1358175080 | 30/985 | 1366564080* | 30/1551B | 1368043080* | 30/1229 |
| 1358175080 | 30/985 | 1366564080* | 30/1229 | 1368043080* | 30/7043 |
| 1358175080* | 30/7044 | 1366564080* | 30/7043 | 1368043080* | 30/1551B |
| 1358175080* | 30/1550B | 1366564080* | 30/1551B | 1368043080* | 30/1229 |
| 1358175080* | 30/1228 | 1366564080* | 30/1229 | 1368329080* | 30/1226 |
| 1358175080* | 30/7044 | 1366796 | 30/7085 | 1368329080* | 30/1226 |
| 1358175080* | 30/1550B | 1366849 | 30/2117 | 1368329080* | 30/1226 |
| 1358175080* | 30/1228 | 1366849* | 30/1735 | 1368330080 | 30/278B |
| 1358175080* | 30/7044 | 1366850 | 30/2116 | 1368330080 | 30/278B |
| 1358175080* | 30/1550B | 1366850* | 30/1734 | 1368330080 | 30/278B |
| 1358175080* | 30/1228 | 1368042080 | 30/985 | 1368331080* | 30/1227 |
| 1366562080 | 30/985 | 1368042080 | 30/985 | 1368331080* | 30/1227 |
| 1366562080 | 30/985 | 1368042080 | 30/985 | 1368331080* | 30/1227 |
| 1366562080 | 30/985 | 1368042080* | 30/7044 | 1368828080 | 30/278 |
| 1366562080* | 30/7044 | 1368042080* | 30/1550B | 1368828080 | 30/278 |
| 1366562080* | 30/1550B | 1368042080* | 30/1228 | 1368828080 | 30/278 |
| 1366562080* | 30/1228 | 1368042080* | 30/7044 | 1368917080 | 30/985 |
| 1366562080* | 30/7044 | 1368042080* | 30/1550B | 1368917080 | 30/985 |
| 1366562080* | 30/1550B | 1368042080* | 30/1228 | 1368917080 | 30/985 |
| 1366562080* | 30/1228 | 1368042080* | 30/7044 | 1368917080* | 30/7044 |
| 1366562080* | 30/7044 | 1368042080* | 30/1550B | 1368917080* | 30/1550B |
| 1366562080* | 30/1550B | 1368042080* | 30/1228 | 1368917080* | 30/1228 |
| 1366562080* | 30/1228 | 1368043080 | 30/986 | 1368917080* | 30/7044 |
| 1366564080 | 30/986 | 1368043080 | 30/986 | 1368917080* | 30/1550B |

TAVOLE DI COMPARAZIONE / CROSS REFERENCE GUIDE

Alzacristalli / Window



| Rif. adattabilità Compatible OEM ref. | Ns. rif. Our Ref. | Rif. adattabilità Compatible OEM ref. | Ns. rif. Our Ref. | Rif. adattabilità Compatible OEM ref. | Ns. rif. Our Ref. |
|--|----------------------|--|----------------------|--|----------------------|
| 1368917080* | 30/1228 | 1368921080* | 30/7044 | 1394449080 | 30/986 |
| 1368917080* | 30/7044 | 1368921080* | 30/7044 | 1394449080 | 30/986 |
| 1368917080* | 30/1550B | 1368921080* | 30/1550B | 1394449080* | 30/7043 |
| 1368917080* | 30/1228 | 1368921080* | 30/1228 | 1394449080* | 30/1551B |
| 1368918080 | 30/986 | 1368922080 | 30/986 | 1394449080* | 30/1229 |
| 1368918080 | 30/986 | 1368922080 | 30/986 | 1394449080* | 30/7043 |
| 1368918080 | 30/986 | 1368922080 | 30/986 | 1394449080* | 30/1551B |
| 1368918080* | 30/7043 | 1368922080* | 30/7043 | 1394449080* | 30/1229 |
| 1368918080* | 30/1551B | 1368922080* | 30/1551B | 1394449080* | 30/7043 |
| 1368918080* | 30/1229 | 1368922080* | 30/1229 | 1394449080* | 30/1551B |
| 1368918080* | 30/7043 | 1368922080* | 30/7043 | 1394449080* | 30/1229 |
| 1368918080* | 30/1551B | 1368922080* | 30/1551B | 140007 | 30/7135 |
| 1368918080* | 30/1229 | 1368922080* | 30/1229 | 140007 | 30/7135 |
| 1368918080* | 30/7043 | 1368922080* | 30/7043 | 140008 | 30/7136 |
| 1368918080* | 30/1551B | 1368922080* | 30/1551B | 140008 | 30/7136 |
| 1368918080* | 30/1229 | 1368922080* | 30/1229 | 140018 | 30/2300 |
| 1368921080 | 30/985 | 1372500 | 30/1114 | 140019 | 30/2301 |
| 1368921080 | 30/985 | 1372500* | 30/1604 | 140047* | 30/7261 |
| 1368921080 | 30/985 | 1372502 | 30/1115 | 140047* | 30/1687 |
| 1368921080 | 30/985 | 1372502* | 30/1605 | 140048* | 30/7262 |
| 1368921080 | 30/985 | 1374568 | 30/2065 | 140048* | 30/1686 |
| 1368921080 | 30/985 | 1374569 | 30/2064 | 140050 | 30/1669 |
| 1368921080* | 30/7044 | 1376853 | 30/1902 | 140064 | 30/1668 |
| 1368921080* | 30/7044 | 1376856 | 30/1903 | 140069 | 30/2301 |
| 1368921080* | 30/1550B | 1378109* | 30/1946 | 140070 | 30/2300 |
| 1368921080* | 30/1228 | 1378114* | 30/1946 | 1400753 | 30/1521 |
| 1368921080* | 30/7044 | 1378258* | 30/1947 | 1400753 | 30/1521 |
| 1368921080* | 30/7044 | 1384669* | 30/1946 | 1400753 | 30/1521 |
| 1368921080* | 30/1550B | 1384670* | 30/1946 | 1400754 | 30/1520 |
| 1368921080* | 30/1228 | 1394449080 | 30/986 | 1400754 | 30/1520 |

TAVOLE DI COMPARAZIONE / CROSS REFERENCE GUIDE

Alzacristalli / Window



| Rif. adattabilità Compatible OEM ref. | Ns. rif. Our Ref. | Rif. adattabilità Compatible OEM ref. | Ns. rif. Our Ref. | Rif. adattabilità Compatible OEM ref. | Ns. rif. Our Ref. |
|--|----------------------|--|----------------------|--|----------------------|
| 1400754 | 30/1520 | 140325* | 30/1818 | 140361* | 30/1917 |
| 140103 | 30/7029 | 140326* | 30/1677 | 140361* | 30/1917 |
| 140103 | 30/7029 | 140327* | 30/1676 | 140371* | 30/1875 |
| 140104 | 30/7030 | 140332 | 30/2169 | 140372* | 30/1874 |
| 140104 | 30/7030 | 140332 | 30/2169 | 140383 | 30/1973 |
| 140147 | 30/7277 | 140332 | 30/2169 | 140383 | 30/1973 |
| 140148 | 30/7278 | 140333 | 30/2168 | 140384 | 30/1972 |
| 140152 | 30/7030 | 140333 | 30/2168 | 140384 | 30/1972 |
| 140152 | 30/7030 | 140333 | 30/2168 | 140391 | 30/1975 |
| 140199* | 30/7263 | 1403339 | 30/1903 | 140391 | 30/1975 |
| 140200* | 30/7264 | 140339* | 30/1489 | 140392 | 30/1974 |
| 140202* | 30/1686 | 140341* | 30/1488 | 140392 | 30/1974 |
| 140255* | 30/1249 | 140342* | 30/1819 | 140409* | 30/2717 |
| 140258* | 30/1248 | 140343* | 30/1818 | 140427* | 30/1187 |
| 140274* | 30/7266 | 140344* | 30/1677 | 140429* | 30/1186 |
| 140274* | 30/1688 | 140345* | 30/1676 | 1406613 | 30/1775 |
| 140277* | 30/7271 | 140352* | 30/1683 | 1406614 | 30/1774 |
| 140278* | 30/7272 | 140353* | 30/1682 | 140843 | 30/992 |
| 140278* | 30/7274 | 140356* | 30/1685 | 140843* | 30/1344 |
| 140293* | 30/7265 | 140357* | 30/1684 | 1417697 | 30/1094 |
| 140293* | 30/1689 | 140358 | 30/3133 | 1417698 | 30/1095 |
| 140299* | 30/1693 | 140358 | 30/3133 | 1419795 | 30/1903 |
| 140300* | 30/1692 | 140359 | 30/3132 | 1424758 | 30/2805 |
| 140308* | 30/1187 | 140359 | 30/3132 | 1424758 | 30/1764 |
| 140309* | 30/1186 | 140360 | 30/3135 | 1424759 | 30/2806 |
| 140317* | 30/1489 | 140360 | 30/3135 | 1424759 | 30/1765 |
| 140318* | 30/1488 | 140360* | 30/1916 | 1436745 | 30/1114 |
| 140321 | 30/1487 | 140360* | 30/1916 | 1436745* | 30/1604 |
| 140322 | 30/1486 | 140361 | 30/3134 | 1436746 | 30/1115 |
| 140324* | 30/1819 | 140361 | 30/3134 | 1436746* | 30/1605 |

TAVOLE DI COMPARAZIONE / CROSS REFERENCE GUIDE

Alzacristalli / Window



| Rif. adattabilità Compatible OEM ref. | Ns. rif. Our Ref. | Rif. adattabilità Compatible OEM ref. | Ns. rif. Our Ref. | Rif. adattabilità Compatible OEM ref. | Ns. rif. Our Ref. |
|--|----------------------|--|----------------------|--|----------------------|
| 1436976 | 30/248B | 1452794* | 30/7089 | 1482293 | 30/248B |
| 1436977 | 30/248 | 1452803* | 30/7088 | 1484119080 | 30/855 |
| 1437723* | 30/1607 | 1457170 | 30/1942 | 1484119080 | 30/855 |
| 1440161380 | 30/1525C | 1457170 | 30/1942 | 1484119080 | 30/855 |
| 1440161380 | 30/1525C | 1457171 | 30/1943 | 1484119080 | 30/855 |
| 1440161380 | 30/1525C | 1457171 | 30/1943 | 1484120080 | 30/856 |
| 1440161380* | 30/1525 | 1462444080 | 30/855 | 1484120080 | 30/856 |
| 1440161380* | 30/1525 | 1462444080 | 30/855 | 1484120080 | 30/856 |
| 1440161380* | 30/1525 | 1462444080 | 30/855 | 1484120080 | 30/856 |
| 1440161480 | 30/1770 | 1462444080 | 30/855 | 1484121080 | 30/1924 |
| 1440161480 | 30/1770 | 1462445080 | 30/856 | 1484121080 | 30/1924 |
| 1440161480 | 30/1770 | 1462445080 | 30/856 | 1484121080 | 30/1924 |
| 1440161580 | 30/1524C | 1462445080 | 30/856 | 1484121080 | 30/1924 |
| 1440161580 | 30/1524C | 1462445080 | 30/856 | 1484122080 | 30/1925 |
| 1440161580 | 30/1524C | 1470069080 | 30/275 | 1484122080 | 30/1925 |
| 1440161580* | 30/1524 | 1470069080 | 30/275 | 1484122080 | 30/1925 |
| 1440161580* | 30/1524 | 1470069080 | 30/275 | 1484122080 | 30/1925 |
| 1440161580* | 30/1524 | 1470070080 | 30/275B | 1485311080 | 30/925 |
| 1442294 | 30/2117 | 1470070080 | 30/275B | 1485311080 | 30/925 |
| 1442294* | 30/1735 | 1470070080 | 30/275B | 1485311080 | 30/925 |
| 1442295 | 30/2116 | 1477984* | 30/1606 | 1485311080 | 30/925 |
| 1442295* | 30/1734 | 1478271 | 30/1114 | 1485312080 | 30/926 |
| 1447356* | 30/1606 | 1478271* | 30/1604 | 1485312080 | 30/926 |
| 1447358* | 30/1607 | 1478272 | 30/1115 | 1485312080 | 30/926 |
| 1447359 | 30/7085 | 1478272* | 30/1605 | 1485312080 | 30/926 |
| 1447360 | 30/7084 | 1480792 | 30/1942 | 1488306080 | 30/275 |
| 1448091 | 30/1936 | 1480792 | 30/1942 | 1488306080 | 30/275 |
| 1448091* | 30/1608 | 1480793 | 30/1943 | 1488306080 | 30/275 |
| 1452778* | 30/7089 | 1480793 | 30/1943 | 1488307080 | 30/275B |
| 1452782* | 30/7088 | 1482292 | 30/248 | 1488307080 | 30/275B |

TAVOLE DI COMPARAZIONE / CROSS REFERENCE GUIDE

Alzacristalli / Window



| Rif. adattabilità Compatible OEM ref. | Ns. rif. Our Ref. | Rif. adattabilità Compatible OEM ref. | Ns. rif. Our Ref. | Rif. adattabilità Compatible OEM ref. | Ns. rif. Our Ref. |
|--|----------------------|--|----------------------|--|----------------------|
| 1488307080 | 30/275B | 1498041 | 30/1942 | 1502701 | 30/1603 |
| 1488559080 | 30/855 | 1498041* | 30/1606 | 1509725 | 30/1902 |
| 1488559080 | 30/2807 | 1498046 | 30/1114 | 1511075 | 30/1980 |
| 1488559080 | 30/2807 | 1498046* | 30/1604 | 1511076 | 30/1981 |
| 1488559080 | 30/855 | 1498048 | 30/1115 | 1513276 | 30/1467 |
| 1488559080 | 30/2807 | 1498048* | 30/1605 | 1523692 | 30/1902 |
| 1488559080 | 30/855 | 1498141 | 30/1937 | 1523711 | 30/1602 |
| 1488559080 | 30/2807 | 1498141* | 30/1609 | 1523713 | 30/1603 |
| 1488559080 | 30/855 | 1498743080 | 30/1524C | 1527955 | 30/1943 |
| 1488560080 | 30/856 | 1498743080 | 30/1524C | 1527955 | 30/1943 |
| 1488560080 | 30/2808 | 1498743080 | 30/1524C | 1527970 | 30/1944 |
| 1488560080 | 30/2808 | 1498743080* | 30/2411 | 1527970 | 30/1944 |
| 1488560080 | 30/856 | 1498743080* | 30/2411 | 1527980 | 30/1945 |
| 1488560080 | 30/2808 | 1498743080* | 30/2411 | 1527980 | 30/1945 |
| 1488560080 | 30/856 | 1499438080 | 30/1770 | 1528041* | 30/1604 |
| 1488560080 | 30/2808 | 1499438080 | 30/1770 | 1528042 | 30/7085 |
| 1488560080 | 30/856 | 1499438080 | 30/1770 | 1528043 | 30/7084 |
| 1488641 | 30/2806 | 1499438080* | 30/1524 | 1528044 | 30/1119 |
| 1488641 | 30/1765 | 1499438080* | 30/1524 | 1528044* | 30/1607 |
| 1491754 | 30/1936 | 1499438080* | 30/1524 | 1528045 | 30/1118 |
| 1491754* | 30/1608 | 1499439080 | 30/1525C | 1528045* | 30/1606 |
| 1491755 | 30/1937 | 1499439080 | 30/1525C | 1528173 | 30/1936 |
| 1491755* | 30/1609 | 1499439080 | 30/1525C | 1528173* | 30/1608 |
| 1492722 | 30/2805 | 1499439080* | 30/2410 | 1542433 | 30/228 |
| 1492722 | 30/1764 | 1499439080* | 30/1525 | 1542434 | 30/1083 |
| 1493635 | 30/1316 | 1499439080* | 30/2410 | 1542434* | 30/1856 |
| 1493635* | 30/1926 | 1499439080* | 30/1525 | 1542435 | 30/228B |
| 1493637 | 30/1317 | 1499439080* | 30/2410 | 1542436 | 30/1084 |
| 1493637* | 30/1927 | 1499439080* | 30/1525 | 1542436* | 30/1857 |
| 1498041 | 30/1942 | 1502700 | 30/1602 | 1543207 | 30/1467 |

TAVOLE DI COMPARAZIONE / CROSS REFERENCE GUIDE

Alzacristalli / Window



| Rif. adattabilità Compatible OEM ref. | Ns. rif. Our Ref. | Rif. adattabilità Compatible OEM ref. | Ns. rif. Our Ref. | Rif. adattabilità Compatible OEM ref. | Ns. rif. Our Ref. |
|--|----------------------|--|----------------------|--|----------------------|
| 1548854* | 30/1947 | 1606940980* | 30/7044 | 1607395480* | 30/7043 |
| 1551474 | 30/1980 | 1606940980* | 30/1550B | 1607395480* | 30/1551B |
| 1551482 | 30/1981 | 1606940980* | 30/1228 | 1607395480* | 30/1229 |
| 1553149 | 30/1937 | 1606940980* | 30/7044 | 1607674980* | 30/1702 |
| 1553149* | 30/1609 | 1606940980* | 30/1550B | 1607674980* | 30/3031 |
| 1567309 | 30/1467 | 1606940980* | 30/1228 | 1607675380* | 30/1703 |
| 1567826* | 30/1947 | 1607395380 | 30/985 | 1607675380* | 30/3032 |
| 1568365 | 30/1463 | 1607395380 | 30/985 | 1607706980 | 30/986 |
| 1568451 | 30/1466 | 1607395380 | 30/985 | 1607706980 | 30/986 |
| 1573827 | 30/1467 | 1607395380 | 30/985 | 1607706980 | 30/986 |
| 1579840 | 30/1467 | 1607395380 | 30/985 | 1607706980* | 30/7043 |
| 1579866 | 30/1466 | 1607395380 | 30/985 | 1607706980* | 30/1551B |
| 1606231580 | 30/985 | 1607395380* | 30/7044 | 1607706980* | 30/1229 |
| 1606231580 | 30/985 | 1607395380* | 30/1550B | 1607706980* | 30/7043 |
| 1606231580 | 30/985 | 1607395380* | 30/1228 | 1607706980* | 30/1551B |
| 1606231580* | 30/7044 | 1607395380* | 30/7044 | 1607706980* | 30/1229 |
| 1606231580* | 30/1550B | 1607395380* | 30/1550B | 1607706980* | 30/7043 |
| 1606231580* | 30/1228 | 1607395380* | 30/1228 | 1607706980* | 30/1551B |
| 1606231580* | 30/7044 | 1607395380* | 30/7044 | 1607706980* | 30/1229 |
| 1606231580* | 30/1550B | 1607395380* | 30/1550B | 1607707180 | 30/985 |
| 1606231580* | 30/1228 | 1607395380* | 30/1228 | 1607707180 | 30/985 |
| 1606231580* | 30/7044 | 1607395480 | 30/986 | 1607707180 | 30/985 |
| 1606231580* | 30/1550B | 1607395480 | 30/986 | 1607707180* | 30/7044 |
| 1606231580* | 30/1228 | 1607395480 | 30/986 | 1607707180* | 30/1550B |
| 1606940980 | 30/985 | 1607395480* | 30/7043 | 1607707180* | 30/1228 |
| 1606940980 | 30/985 | 1607395480* | 30/1551B | 1607707180* | 30/7044 |
| 1606940980 | 30/985 | 1607395480* | 30/1229 | 1607707180* | 30/1550B |
| 1606940980* | 30/7044 | 1607395480* | 30/7043 | 1607707180* | 30/1228 |
| 1606940980* | 30/1550B | 1607395480* | 30/1551B | 1607707180* | 30/7044 |
| 1606940980* | 30/1228 | 1607395480* | 30/1229 | 1607707180* | 30/1550B |

TAVOLE DI COMPARAZIONE / CROSS REFERENCE GUIDE

Alzacristalli / Window



| Rif. adattabilità Compatible OEM ref. | Ns. rif. Our Ref. | Rif. adattabilità Compatible OEM ref. | Ns. rif. Our Ref. | Rif. adattabilità Compatible OEM ref. | Ns. rif. Our Ref. |
|--|----------------------|--|----------------------|--|----------------------|
| 1607707180* | 30/1228 | 1650899180* | 30/1228 | 166231580* | 30/1228 |
| 161007400400 | 30/502 | 1650899180* | 30/7044 | 1666090580* | 30/1227 |
| 161007400500 | 30/503 | 1650899180* | 30/1550B | 1666090580* | 30/1227 |
| 1619992180 | 30/940C | 1650899180* | 30/1228 | 1666090580* | 30/1227 |
| 1619992180* | 30/1412 | 1650899280 | 30/986 | 1666743 | 30/780 |
| 1619993380* | 30/1411 | 1650899280 | 30/986 | 1671331480 | 30/278B |
| 1629049780 | 30/986 | 1650899280 | 30/986 | 1671331480 | 30/278B |
| 1629049780 | 30/986 | 1650899280* | 30/7043 | 1671331480 | 30/278B |
| 1629049780 | 30/986 | 1650899280* | 30/1551B | 1671331580 | 30/278 |
| 1629049780* | 30/1229 | 1650899280* | 30/1229 | 1671331580 | 30/278 |
| 1629049780* | 30/1229 | 1650899280* | 30/7043 | 1671331580 | 30/278 |
| 1629049780* | 30/1229 | 1650899280* | 30/1551B | 1674680 | 30/1467 |
| 1629050180 | 30/985 | 1650899280* | 30/1229 | 1674681 | 30/1468 |
| 1629050180 | 30/985 | 1650899280* | 30/7043 | 1682180480 | 30/986 |
| 1629050180 | 30/985 | 1650899280* | 30/1551B | 1682180480 | 30/986 |
| 1629050180* | 30/1228 | 1650899280* | 30/1229 | 1682180480 | 30/986 |
| 1629050180* | 30/1228 | 1656267580* | 30/1226 | 1682180480* | 30/7043 |
| 1629050180* | 30/1228 | 1656267580* | 30/1226 | 1682180480* | 30/1551B |
| 1633101 | 30/1463 | 1656267580* | 30/1226 | 1682180480* | 30/1229 |
| 1633102 | 30/1464 | 166231580 | 30/985 | 1682180480* | 30/7043 |
| 1633103 | 30/1466 | 166231580 | 30/985 | 1682180480* | 30/1551B |
| 1639957* | 30/1947 | 166231580 | 30/985 | 1682180480* | 30/1229 |
| 1650899180 | 30/985 | 166231580* | 30/7044 | 1682180480* | 30/7043 |
| 1650899180 | 30/985 | 166231580* | 30/1550B | 1682180480* | 30/1551B |
| 1650899180 | 30/985 | 166231580* | 30/1228 | 1682180480* | 30/1229 |
| 1650899180* | 30/7044 | 166231580* | 30/7044 | 1685323380 | 30/985 |
| 1650899180* | 30/1550B | 166231580* | 30/1550B | 1685323380 | 30/985 |
| 1650899180* | 30/1228 | 166231580* | 30/1228 | 1685323380 | 30/985 |
| 1650899180* | 30/7044 | 166231580* | 30/7044 | 1685323380* | 30/7044 |
| 1650899180* | 30/1550B | 166231580* | 30/1550B | 1685323380* | 30/1550B |

TAVOLE DI COMPARAZIONE / CROSS REFERENCE GUIDE

Alzacristalli / Window



| Rif. adattabilità Compatible OEM ref. | Ns. rif. Our Ref. | Rif. adattabilità Compatible OEM ref. | Ns. rif. Our Ref. | Rif. adattabilità Compatible OEM ref. | Ns. rif. Our Ref. |
|--|----------------------|--|----------------------|--|----------------------|
| 1685323380* | 30/1228 | 1714809 | 30/1521 | 1769159* | 30/1794 |
| 1685323380* | 30/7044 | 1714809 | 30/1521 | 1770395* | 30/2158 |
| 1685323380* | 30/1550B | 1719264 | 30/2991 | 1778066 | 30/2991 |
| 1685323380* | 30/1228 | 1719265 | 30/2992 | 1779721* | 30/1783 |
| 1685323380* | 30/7044 | 1726659 | 30/2947 | 1779722* | 30/1782 |
| 1685323380* | 30/1550B | 1726659* | 30/2887 | 1779727* | 30/1781 |
| 1685323380* | 30/1228 | 1736144 | 30/1942 | 1779728* | 30/1780 |
| 1688678 | 30/2559 | 1736144 | 30/1942 | 1782792* | 30/3166 |
| 1688680 | 30/2560 | 1736145 | 30/1943 | 1782794* | 30/3165 |
| 1690891380* | 30/1784 | 1736145 | 30/1943 | 1799651 | 30/228 |
| 1690891480 | 30/1785C | 1738645 | 30/1943 | 1799653 | 30/228B |
| 1690891480* | 30/1785 | 1738645 | 30/1943 | 1799658 | 30/1083 |
| 1692431* | 30/1947 | 1738646 | 30/1942 | 1799658* | 30/1856 |
| 1698424 | 30/1944 | 1738646 | 30/1942 | 1799662 | 30/1084 |
| 1698424 | 30/1944 | 1738647 | 30/1945 | 1799662* | 30/1857 |
| 1698425 | 30/1945 | 1738647 | 30/1945 | 1803933* | 30/1946 |
| 1698425 | 30/1945 | 1738648 | 30/1944 | 1803934* | 30/1947 |
| 1705698 | 30/1521 | 1738648 | 30/1944 | 1810414 | 30/2805 |
| 1705698 | 30/1521 | 1748804* | 30/1766 | 1810414 | 30/1764 |
| 1705698 | 30/1521 | 1748804* | 30/2975 | 1810415 | 30/2806 |
| 1705699 | 30/1520 | 1748808* | 30/1767 | 1810415 | 30/1765 |
| 1705699 | 30/1520 | 1748808* | 30/2974 | 1812738* | 30/1966 |
| 1705699 | 30/1520 | 1749889 | 30/1083 | 1812740* | 30/1967 |
| 1707356 | 30/1521 | 1749889* | 30/1856 | 1812747* | 30/2280 |
| 1707356 | 30/1521 | 1749890 | 30/1084 | 1812748* | 30/2281 |
| 1707356 | 30/1521 | 1749890* | 30/1857 | 1820117 | 30/2560 |
| 1707357 | 30/1520 | 1769151* | 30/1766 | 1824292 | 30/2885 |
| 1707357 | 30/1520 | 1769151* | 30/2975 | 1824293 | 30/2886 |
| 1707357 | 30/1520 | 1769153* | 30/1767 | 1824294 | 30/2886 |
| 1714809 | 30/1521 | 1769153* | 30/2974 | 1824294* | 30/2910 |

TAVOLE DI COMPARAZIONE / CROSS REFERENCE GUIDE

Alzacristalli / Window



| Rif. adattabilità Compatible OEM ref. | Ns. rif. Our Ref. | Rif. adattabilità Compatible OEM ref. | Ns. rif. Our Ref. | Rif. adattabilità Compatible OEM ref. | Ns. rif. Our Ref. |
|--|----------------------|--|----------------------|--|----------------------|
| 1836010 | 30/1468 | 1870697* | 30/1766 | 191837462* | 30/7402 |
| 1836011 | 30/1467 | 1870697* | 30/2975 | 191837462A* | 30/799 |
| 1836088* | 30/2941 | 1870698* | 30/1767 | 191959801* | 30/7401 |
| 1836138 | 30/2885 | 1870698* | 30/2974 | 191959801* | 30/800 |
| 1836138* | 30/2909 | 1880116* | 30/2668 | 191959802* | 30/7402 |
| 1836139 | 30/2886 | 1880117* | 30/2667 | 191959802* | 30/799 |
| 1836139* | 30/2910 | 1881205 | 30/1602 | 1932345 | 30/3146 |
| 1837993 | 30/1463 | 1881208 | 30/1603 | 1944444* | 30/3165 |
| 1837994 | 30/1465 | 1881212* | 30/1946 | 1C0837565A | 30/2240 |
| 1837995 | 30/1464 | 1881213* | 30/1947 | 1C0837655A | 30/2241 |
| 1837996 | 30/1466 | 1881914 | 30/2608 | 1C0837655A* | 30/1309 |
| 1838047* | 30/2158 | 1881915 | 30/2607 | 1C0837655C | 30/2241 |
| 1847371* | 30/1767 | 1883671* | 30/2941 | 1C0837655C* | 30/1309 |
| 1847371* | 30/2974 | 1883672* | 30/2942 | 1C0837656A* | 30/1308 |
| 1847372* | 30/1766 | 1883672* | 30/2942 | 1C0837656C | 30/2240 |
| 1847372* | 30/2975 | 1884440 | 30/2560 | 1C0837656C* | 30/1308 |
| 1847476* | 30/2941 | 1891064* | 30/1966 | 1E01058560 | 30/829 |
| 1847848 | 30/2885 | 1891065* | 30/1967 | 1E01058560 | 30/829 |
| 1847848* | 30/2909 | 1908249 | 30/1465 | 1E0837401 | 30/2307 |
| 1847851 | 30/2886 | 1908250 | 30/1466 | 1E0837402 | 30/2306 |
| 1847851* | 30/2910 | 1917483 | 30/3159 | 1E0837461 | 30/2307 |
| 1851628 | 30/1083 | 1917487 | 30/3160 | 1E0837462 | 30/2306 |
| 1851628* | 30/1856 | 1917488 | 30/3147 | 1E0858560 | 30/829 |
| 1851632 | 30/1084 | 1918145* | 30/1783 | 1E0858560 | 30/829 |
| 1851632* | 30/1857 | 1918146* | 30/1782 | 1E0858560A | 30/829 |
| 1851908* | 30/2158 | 191837401A* | 30/800 | 1E0858560A | 30/829 |
| 1852321 | 30/1468 | 191837401B | 30.752.05 | 1E0858560B | 30/829 |
| 1865722* | 30/2281 | 191837401C* | 30/800 | 1E0858560B | 30/829 |
| 1870371* | 30/1794 | 191837402B | 30.752.04 | 1E0858560C | 30/829 |
| 1870372* | 30/1795 | 191837461* | 30/7401 | 1E0858560C | 30/829 |

TAVOLE DI COMPARAZIONE / CROSS REFERENCE GUIDE

Alzacristalli / Window



| Rif. adattabilità Compatible OEM ref. | Ns. rif. Our Ref. | Rif. adattabilità Compatible OEM ref. | Ns. rif. Our Ref. | Rif. adattabilità Compatible OEM ref. | Ns. rif. Our Ref. |
|--|----------------------|--|----------------------|--|----------------------|
| 1E0858560D | 30/829 | 1H0837462A* | 30/811 | 1J4837462B | 30/2242 |
| 1E0858560D | 30/829 | 1H0837462C* | 30/811 | 1J4837462B* | 30/947 |
| 1E0859560 | 30/830 | 1H0837462C* | 30/811C | 1J4837462D | 30/2242 |
| 1E0859560 | 30/830 | 1H0959801A* | 30/812C | 1J4837462D* | 30/947 |
| 1E0859560A | 30/830 | 1H0959802A* | 30/811C | 1J4837462F | 30/2242 |
| 1E0859560A | 30/830 | 1H4839461 | 30/7405 | 1J4837462F* | 30/947 |
| 1E0859560B | 30/830 | 1H4839461* | 30/7403 | 1J4837462H | 30/2242 |
| 1E0859560B | 30/830 | 1H4839461A | 30/7405 | 1J4837462H* | 30/947 |
| 1E0859560C | 30/830 | 1H4839461A* | 30/7403 | 1J4839461A | 30/2245 |
| 1E0859560C | 30/830 | 1H4839462 | 30/7406 | 1J4839461B | 30/2245 |
| 1E0859560D | 30/830 | 1H4839462* | 30/7404 | 1J4839461B* | 30/1305 |
| 1E0859560D | 30/830 | 1H4839462A | 30/7406 | 1J4839461C | 30/2245 |
| 1E0958560B | 30/829 | 1H4839462A* | 30/7404 | 1J4839461C* | 30/1305 |
| 1E0958560B | 30/829 | 1H4959811* | 30/7403 | 1J4839461F | 30/2245 |
| 1E0959560B | 30/830 | 1H4959812* | 30/7404 | 1J4839461F* | 30/1305 |
| 1E0959560B | 30/830 | 1J3837461B* | 30/946 | 1J4839462B | 30/2244 |
| 1E1058560 | 30/829 | 1J3837461D* | 30/946 | 1J4839462B* | 30/1304 |
| 1E1058560 | 30/829 | 1J3837461F* | 30/946 | 1J4839462C | 30/2244 |
| 1E1059560 | 30/830 | 1J3837461H* | 30/946 | 1J4839462C* | 30/1304 |
| 1E1059560 | 30/830 | 1J3837462D* | 30/945 | 1J4839462F | 30/2244 |
| 1H0837461 | 30/1008 | 1J3837462F* | 30/945 | 1J4839462F* | 30/1304 |
| 1H0837461* | 30/812 | 1J3837462H* | 30/945 | 1J4839729A* | 30/1305 |
| 1H0837461* | 30/812C | 1J4837461B | 30/2243 | 1J4839729C | 30/2245 |
| 1H0837461A | 30/1008 | 1J4837461B* | 30/948 | 1J4839729C* | 30/1305 |
| 1H0837461A* | 30/812 | 1J4837461D | 30/2243 | 1J4839730A | 30/2244 |
| 1H0837461A* | 30/812C | 1J4837461D* | 30/948 | 1J4839730A* | 30/1304 |
| 1H0837462 | 30/1007 | 1J4837461F | 30/2243 | 1J4839730C | 30/2244 |
| 1H0837462* | 30/811 | 1J4837461F* | 30/948 | 1J4839730C* | 30/1304 |
| 1H0837462* | 30/811C | 1J4837461H | 30/2243 | 1J5839461* | 30/1305 |
| 1H0837462A | 30/1007 | 1J4837461H* | 30/948 | 1J5839461A* | 30/1305 |

TAVOLE DI COMPARAZIONE / CROSS REFERENCE GUIDE

Alzacristalli / Window



| Rif. adattabilità Compatible OEM ref. | Ns. rif. Our Ref. | Rif. adattabilità Compatible OEM ref. | Ns. rif. Our Ref. | Rif. adattabilità Compatible OEM ref. | Ns. rif. Our Ref. |
|--|----------------------|--|----------------------|--|----------------------|
| 1J5839462* | 30/1304 | 1K8837462G* | 30/1884 | 1Q0837462A* | 30/7400 |
| 1J5839462A* | 30/1304 | 1K9839461A* | 30/1307 | 1Q0837462B* | 30/7400 |
| 1J5839730J* | 30/1304 | 1K9839462A* | 30/1306 | 1Q0837462C* | 30/7400 |
| 1K3837461A* | 30/1901 | 1L0837401* | 30/858 | 1Q0837462E* | 30/7400 |
| 1K3837461B* | 30/1901 | 1L0837402B* | 30/857 | 1Q0837462G* | 30/7400 |
| 1K3837462A* | 30/1900 | 1L0839401* | 30/7339 | 1S0959802* | 30/1753 |
| 1K3837462B* | 30/1900 | 1L0839402* | 30/7340 | 1S0959802* | 30/1753 |
| 1K4837461A | 30/2247 | 1L0959801* | 30/858 | 1S0959802* | 30/1753 |
| 1K4837461A* | 30/1093 | 1L0959802* | 30/857 | 1S3837461A | 30/1757 |
| 1K4837461B | 30/2247 | 1L0959811* | 30/7339 | 1S3837461A | 30/1757 |
| 1K4837461B* | 30/1093 | 1L0959812* | 30/7340 | 1S3837461A | 30/1757 |
| 1K4837462A | 30/2246 | 1M0837461 | 30/1062 | 1S3837461A* | 30/1753 |
| 1K4837462A* | 30/1092 | 1M0837461A | 30/2225 | 1S3837461A* | 30/1753 |
| 1K4837462B | 30/2246 | 1M0837462 | 30/1061 | 1S3837461A* | 30/1753 |
| 1K4837462B* | 30/1092 | 1M0837462A | 30/2224 | 1S3837462A | 30/1756 |
| 1K4839461A* | 30/1307 | 1M0839461A | 30/2227 | 1S3837462A | 30/1756 |
| 1K4839461B* | 30/1307 | 1M0839461A* | 30/1422 | 1S3837462A | 30/1756 |
| 1K4839462A* | 30/1306 | 1M0839462A | 30/2226 | 1S3837462A* | 30/1752 |
| 1K4839462B* | 30/1306 | 1M0839462A* | 30/1421 | 1S3837462A* | 30/1752 |
| 1K8837461B* | 30/1885 | 1P0837461A | 30/1237 | 1S3837462A* | 30/1752 |
| 1K8837461C* | 30/1885 | 1P0837462A | 30/1236 | 1S71F27000BM | 30/1126 |
| 1K8837461D* | 30/1885 | 1P0839461A | 30/1821 | 1S71F27001BM | 30/1127 |
| 1K8837461E* | 30/1885 | 1P0839462A | 30/1820 | 1T0837461 | 30/2259 |
| 1K8837461F* | 30/1885 | 1Q0837461* | 30/7399 | 1T0837461* | 30/1414 |
| 1K8837461G* | 30/1885 | 1Q0837461A* | 30/7399 | 1T0837461E | 30/2259 |
| 1K8837462B* | 30/1884 | 1Q0837461B* | 30/7399 | 1T0837461E* | 30/1414 |
| 1K8837462C* | 30/1884 | 1Q0837461C* | 30/7399 | 1T0837462 | 30/2258 |
| 1K8837462D* | 30/1884 | 1Q0837461E* | 30/7399 | 1T0837462* | 30/1413 |
| 1K8837462E* | 30/1884 | 1Q0837461G* | 30/7399 | 1T0837462G | 30/2258 |
| 1K8837462F* | 30/1884 | 1Q0837462* | 30/7400 | 1T0837462G* | 30/1413 |

TAVOLE DI COMPARAZIONE / CROSS REFERENCE GUIDE

Alzacristalli / Window



| Rif. adattabilità Compatible OEM ref. | Ns. rif. Our Ref. | Rif. adattabilità Compatible OEM ref. | Ns. rif. Our Ref. | Rif. adattabilità Compatible OEM ref. | Ns. rif. Our Ref. |
|--|----------------------|--|----------------------|--|----------------------|
| 1T0839461A* | 30/2127 | 1U0839462A | 30/1106 | 20557552 | 30/1521 |
| 1T0839461H* | 30/2127 | 1U0839462B | 30/1106 | 20557552 | 30/1521 |
| 1T0839461M* | 30/2127 | 1Y0837461B | 30/2469 | 20557552 | 30/1521 |
| 1T0839461P* | 30/2127 | 1Y0837461F | 30/2469 | 20557554 | 30/1520 |
| 1T0839462A* | 30/2126 | 1Y0837462B | 30/2468 | 20557554 | 30/1520 |
| 1T0839462H* | 30/2126 | 1Y0837462F | 30/2468 | 20557554 | 30/1520 |
| 1T0839462M* | 30/2126 | 1Z0839461A | 30/2237 | 2055759 | 30/3159 |
| 1T0839462P* | 30/2126 | 1Z0839461A* | 30/1291 | 2057779 | 30/3160 |
| 1T1837461 | 30/2259 | 1Z0839462A | 30/2236 | 20952723* | 30/1681 |
| 1T1837461* | 30/1414 | 1Z0839462A* | 30/1290 | 20952724* | 30/1680 |
| 1T1837461A | 30/2259 | 1Z0839565A | 30/2236 | 21216104020 | 30/188 |
| 1T1837461A* | 30/1414 | 1Z0839565A* | 30/1290 | 21216104021 | 30/188B |
| 1T1837461B | 30/2259 | 1Z0839655A | 30/2237 | 2142436* | 30/3165 |
| 1T1837461B* | 30/1414 | 1Z0839655A* | 30/1291 | 2142438* | 30/3166 |
| 1T1837462 | 30/2258 | 1Z1837461 | 30/2235 | 2142450* | 30/3129 |
| 1T1837462* | 30/1413 | 1Z1837461* | 30/1207 | 2142452* | 30/3129 |
| 1T1837462A | 30/2258 | 1Z1837462 | 30/2234 | 2142455* | 30/3128 |
| 1T1837462A* | 30/1413 | 1Z1837462* | 30/1206 | 2142457* | 30/3128 |
| 1T1837462B | 30/2258 | 1Z2837461* | 30/1207 | 2146006 | 30/1465 |
| 1T1837462B* | 30/1413 | 1Z2837462 | 30/2234 | 2146008 | 30/1466 |
| 1U0837461A | 30/1105 | 1Z2837462* | 30/1206 | 2303349 | 30/2117 |
| 1U0837461A* | 30/2744 | 2009280* | 30/2667 | 2303349* | 30/1735 |
| 1U0837461B | 30/1105 | 2009281* | 30/2668 | 2303350 | 30/2117 |
| 1U0837461B* | 30/2744 | 2017018 | 30/3160 | 2303350* | 30/1735 |
| 1U0837462A | 30/1104 | 2017019 | 30/3147 | 2303352* | 30/1734 |
| 1U0837462A* | 30/2743 | 2017020 | 30/3146 | 2303355 | 30/2116 |
| 1U0837462B | 30/1104 | 2017516* | 30/3165 | 2303355* | 30/1734 |
| 1U0837462B* | 30/2743 | 2017517* | 30/3166 | 230352 | 30/2116 |
| 1U0839461A | 30/1107 | 2053163 | 30/3174 | 23196464* | 30/2111 |
| 1U0839461B | 30/1107 | 2053165 | 30/3173 | 23196464* | 30/2111 |

TAVOLE DI COMPARAZIONE / CROSS REFERENCE GUIDE

Alzacristalli / Window



| Rif. adattabilità Compatible OEM ref. | Ns. rif. Our Ref. | Rif. adattabilità Compatible OEM ref. | Ns. rif. Our Ref. | Rif. adattabilità Compatible OEM ref. | Ns. rif. Our Ref. |
|--|----------------------|--|----------------------|--|----------------------|
| 2323095* | 30/3161 | 267872500175 | 30/1807 | 2997185 | 30/186 |
| 2323097* | 30/3162 | 267872500176 | 30/1806 | 2997186 | 30/186B |
| 2323102* | 30/3145 | 267872500183 | 30/1807 | 2997193 | 30/751 |
| 2323104* | 30/3144 | 267872500184 | 30/1806 | 2997193 | 30/1005 |
| 2330009 | 30/2974 | 267873500111 | 30/7361 | 2997193 | 30/1005 |
| 2330194 | 30/2975 | 267873500112 | 30/7362 | 2997193 | 30/1005 |
| 24451521* | 30/1675 | 269972500166 | 30/7363 | 2997193 | 30/1005 |
| 24451522* | 30/1674 | 269972500167 | 30/7364 | 2997194 | 30/752 |
| 24462795 | 30/2380 | 269973500141 | 30/7365 | 2997194 | 30/1006 |
| 24462795* | 30/1993C | 269973500143 | 30/7365 | 2997194 | 30/1006 |
| 24462796 | 30/2381 | 269973500144 | 30/7366 | 2997194 | 30/1006 |
| 24462796* | 30/1992C | 289472500103 | 30/2348 | 2997194 | 30/1006 |
| 24466593 | 30/2383 | 289472500104 | 30/2347 | 2997195 | 30/1566 |
| 24466594 | 30/2382 | 2997174 | 30/185 | 2997195 | 30/1566 |
| 2470240 | 30/2975 | 2997175 | 30/185B | 2997196 | 30/1567 |
| 2470241 | 30/2974 | 2997176 | 30/746 | 2997196 | 30/1567 |
| 2473811* | 30/2158 | 2997177 | 30/747 | 2997208 | 30/89 |
| 2473815* | 30/2159 | 2997180 | 30/90 | 2D0837461* | 30/7407 |
| 2500807 | 30/2975 | 2997181 | 30/146B | 2D0837462* | 30/7408 |
| 2500815 | 30/2974 | 2997182 | 30/146 | 2D0959801* | 30/7407 |
| 25926017* | 30/2111 | 2997183 | 30/208 | 2D0959802* | 30/7408 |
| 25926017* | 30/2111 | 2997183 | 30/179 | 2E0837401 | 30/2179 |
| 25937970* | 30/2112 | 2997183 | 30/208 | 2E0837401 | 30/2179 |
| 25937970* | 30/2112 | 2997183 | 30/208 | 2E0837401* | 30/1769 |
| 25937971* | 30/2113 | 2997183 | 30/208 | 2E0837401* | 30/1769 |
| 25937971* | 30/2113 | 2997184 | 30/208B | 2E0837402 | 30/2178 |
| 25937972* | 30/2110 | 2997184 | 30/179B | 2E0837402 | 30/2178 |
| 25937972* | 30/2110 | 2997184 | 30/208B | 2E0837402* | 30/1768 |
| 267872500115 | 30/1805 | 2997184 | 30/208B | 2E0837402* | 30/1768 |
| 267872500116 | 30/1804 | 2997184 | 30/208B | 2E0959801* | 30/1768 |

TAVOLE DI COMPARAZIONE / CROSS REFERENCE GUIDE

Alzacristalli / Window



| Rif. adattabilità Compatible OEM ref. | Ns. rif. Our Ref. | Rif. adattabilità Compatible OEM ref. | Ns. rif. Our Ref. | Rif. adattabilità Compatible OEM ref. | Ns. rif. Our Ref. |
|--|----------------------|--|----------------------|--|----------------------|
| 2E0959801* | 30/1768 | 2GM837462A | 30/2719 | 2H7839401K | 30/7397 |
| 2E0959802* | 30/1769 | 2GM837462A | 30/2979 | 2H7839402 | 30/7398 |
| 2E0959802* | 30/1769 | 2GM837462B | 30/2979 | 2H7839402A | 30/7398 |
| 2G4837461A | 30/2632 | 2GM837462C | 30/2979 | 2H7839402B | 30/7398 |
| 2G4837461B | 30/2632 | 2GM839461D | 30/2770 | 2H7839402C | 30/7398 |
| 2G4837461C | 30/2632 | 2GM839461D | 30/2980 | 2H7839402D | 30/7398 |
| 2G4837462B | 30/2631 | 2GM839461E | 30/2980 | 2H7839402E | 30/7398 |
| 2G4837462C | 30/2631 | 2GM839461F | 30/2980 | 2H7839402J | 30/7398 |
| 2G6839461 | 30/2646 | 2GM839462D | 30/2769 | 2K1837729B* | 30/1827 |
| 2G6839461A | 30/2646 | 2GM839462D | 30/2981 | 2K1837729E* | 30/1827 |
| 2G6839461B | 30/2646 | 2GM839462E | 30/2981 | 2K1837729F* | 30/1827 |
| 2G6839461C | 30/2646 | 2GM839462F | 30/2981 | 2K1837729G* | 30/1827 |
| 2G6839461D | 30/2646 | 2H0837401 | 30/7395 | 2K1837729H* | 30/1827 |
| 2G6839462 | 30/2645 | 2H0837401A | 30/7395 | 2K1837730B* | 30/1826 |
| 2G6839462A | 30/2645 | 2H0837401B | 30/7395 | 2K1837730E* | 30/1826 |
| 2G6839462B | 30/2645 | 2H0837401C | 30/7395 | 2K1837730F* | 30/1826 |
| 2G6839462C | 30/2645 | 2H0837401D | 30/7395 | 2K1837730G* | 30/1826 |
| 2G6839462D | 30/2645 | 2H0837401L | 30/7395 | 2K1837730H* | 30/1826 |
| 2GA837461E | 30/2630 | 2H0837402 | 30/7396 | 2K1837730L* | 30/1826 |
| 2GA837461F | 30/2630 | 2H0837402A | 30/7396 | 2K2837729M* | 30/1827 |
| 2GA837462E | 30/2629 | 2H0837402B | 30/7396 | 2K5837461 | 30/3108 |
| 2GA837462F | 30/2629 | 2H0837402C | 30/7396 | 2K5837461A | 30/3108 |
| 2GA839461F | 30/2654 | 2H0837402D | 30/7396 | 2K5837462 | 30/3109 |
| 2GA839461G | 30/2654 | 2H0837402G | 30/7396 | 2K5837462A | 30/3109 |
| 2GA839462F | 30/2653 | 2H7839401 | 30/7397 | 2M51A27000CC* | 30/1013 |
| 2GA839462G | 30/2653 | 2H7839401A | 30/7397 | 2M51A27000CC* | 30/1065 |
| 2GM837461A | 30/2720 | 2H7839401B | 30/7397 | 2M51A27001CC* | 30/1014 |
| 2GM837461A | 30/2978 | 2H7839401C | 30/7397 | 2M51A27001CC* | 30/1066 |
| 2GM837461B | 30/2978 | 2H7839401D | 30/7397 | 2S61A27001AR | 30/7084 |
| 2GM837461C | 30/2978 | 2H7839401E | 30/7397 | 2T14V23200BJ | 30/1316 |

TAVOLE DI COMPARAZIONE / CROSS REFERENCE GUIDE

Alzacristalli / Window



| Rif. adattabilità Compatible OEM ref. | Ns. rif. Our Ref. | Rif. adattabilità Compatible OEM ref. | Ns. rif. Our Ref. | Rif. adattabilità Compatible OEM ref. | Ns. rif. Our Ref. |
|--|----------------------|--|----------------------|--|----------------------|
| 2T14V23200BJ* | 30/1926 | 30784512 | 30/2308 | 31253515 | 30/1945 |
| 2T14V23201BJ | 30/1317 | 30784828 | 30/2099 | 31253516 | 30/1944 |
| 2T14V23201BJ* | 30/1927 | 30784829 | 30/2098 | 31253516 | 30/1944 |
| 30623448 | 30/1368 | 30791019 | 30/2311 | 31253719 | 30/1253 |
| 30623449 | 30/1367 | 30791020 | 30/2310 | 31253720 | 30/1252 |
| 30623452 | 30/1370 | 30802405 | 30/1368 | 31253721 | 30/1255 |
| 30623453 | 30/1369 | 30802406 | 30/1367 | 31253722 | 30/1254 |
| 30661055 | 30/1977 | 30802872 | 30/1370 | 31276330 | 30/1995 |
| 30661056 | 30/1976 | 30802873 | 30/1369 | 31276331 | 30/1994 |
| 30661057 | 30/2309 | 30860191 | 30/1368 | 31349486 | 30/1995 |
| 30661058 | 30/2308 | 30860192 | 30/1367 | 31349487 | 30/1994 |
| 30663572 | 30/1945 | 30865716 | 30/1368 | 3176541 | 30/2119 |
| 30663572 | 30/1945 | 30865717 | 30/1367 | 3176542 | 30/2118 |
| 30663573 | 30/1944 | 30865720 | 30/1370 | 321837461* | 30/7401 |
| 30663573 | 30/1944 | 30865721 | 30/1369 | 321837462* | 30/7402 |
| 30784308 | 30/1997 | 30896809 | 30/1368 | 321959801* | 30/7401 |
| 30784309 | 30/1996 | 30896810 | 30/1367 | 321959802* | 30/7402 |
| 30784475 | 30/1943 | 31253103 | 30/1943 | 3430200391 | 30/2007 |
| 30784475 | 30/1943 | 31253103 | 30/1943 | 3430200391 | 30/2007 |
| 30784476 | 30/1942 | 31253104 | 30/1942 | 3430200392 | 30/2006 |
| 30784476 | 30/1942 | 31253104 | 30/1942 | 3430200392 | 30/2006 |
| 30784477 | 30/1945 | 31253105 | 30/1945 | 3430300269 | 30/2009 |
| 30784477 | 30/1945 | 31253105 | 30/1945 | 3430300269 | 30/2009 |
| 30784478 | 30/1944 | 31253106 | 30/1944 | 3430300270 | 30/2008 |
| 30784478 | 30/1944 | 31253106 | 30/1944 | 3430300270 | 30/2008 |
| 30784497 | 30/1977 | 31253513 | 30/1943 | 3465272 | 30/7417 |
| 30784498 | 30/1976 | 31253513 | 30/1943 | 3465273 | 30/7418 |
| 30784509 | 30/1977 | 31253514 | 30/1942 | 3503520 | 30/7419 |
| 30784510 | 30/1976 | 31253514 | 30/1942 | 3503521 | 30/7420 |
| 30784511 | 30/2309 | 31253515 | 30/1945 | 3528561 | 30/7421 |

TAVOLE DI COMPARAZIONE / CROSS REFERENCE GUIDE

Alzacristalli / Window



| Rif. adattabilità Compatible OEM ref. | Ns. rif. Our Ref. | Rif. adattabilità Compatible OEM ref. | Ns. rif. Our Ref. | Rif. adattabilità Compatible OEM ref. | Ns. rif. Our Ref. |
|--|----------------------|--|----------------------|--|----------------------|
| 3528562 | 30/7422 | 39142319* | 30/2618 | 3AF839462C* | 30/1381 |
| 3528565 | 30/7419 | 39142320* | 30/2617 | 3B1837461 | 30/2249 |
| 3528565 | 30/7421 | 39161985 | 30/991 | 3B1837461 | 30/2249 |
| 3528566 | 30/7420 | 39161985* | 30/1343 | 3B1837461* | 30/1040 |
| 3528566 | 30/7422 | 39161986 | 30/992 | 3B1837461* | 30/1040 |
| 3538175 | 30/7421 | 39161986* | 30/1344 | 3B1837462 | 30/2248 |
| 3538176 | 30/7422 | 3918478 | 30/155 | 3B1837462 | 30/2248 |
| 357837401 | 30/2305 | 39187591* | 30/2704 | 3B1837462* | 30/1039 |
| 357837401* | 30/7409 | 39187592* | 30/2703 | 3B1837462* | 30/1039 |
| 357837401B | 30/2305 | 39227499* | 30/2689 | 3B1837656A | 30/2248 |
| 357837401B* | 30/7409 | 39227500* | 30/2690 | 3B1837656A | 30/2248 |
| 357837401C | 30/2305 | 39227501* | 30/2704 | 3B1837656A* | 30/1039 |
| 357837401C* | 30/7409 | 39227502* | 30/2703 | 3B1837656A* | 30/1039 |
| 357837402B | 30/2304 | 3A0837401B | 30/2305 | 3B1837656B | 30/2248 |
| 357837402B* | 30/7410 | 3A0837401B* | 30/7409 | 3B1837656B | 30/2248 |
| 357837402C | 30/2304 | 3A0837402B | 30/2304 | 3B1837656B* | 30/1039 |
| 357837402C* | 30/7410 | 3A0837402B* | 30/7410 | 3B1837656B* | 30/1039 |
| 357959801* | 30/7409 | 3A0837461* | 30/7409 | 3B1837656D | 30/2248 |
| 3646771* | 30/2779 | 3A0959802* | 30/7410 | 3B1837656D | 30/2248 |
| 3646771* | 30/2779 | 3A0959802A* | 30/7410 | 3B1837656D* | 30/1039 |
| 3646771* | 30/2779 | 3AA837461* | 30/1416 | 3B1837656D* | 30/1039 |
| 3646794* | 30/2771 | 3AA837461B* | 30/1416 | 3B9839461* | 30/1311 |
| 3646795* | 30/2772 | 3AA837461C* | 30/1416 | 3B9839461A* | 30/1311 |
| 3646826* | 30/2780 | 3AA837462* | 30/1415 | 3B9839462* | 30/1310 |
| 3646826* | 30/2780 | 3AA837462B* | 30/1415 | 3B9839462A* | 30/1310 |
| 3646826* | 30/2780 | 3AF839461* | 30/1382 | 3C1837461E | 30/2251 |
| 39134105* | 30/2618 | 3AF839461B* | 30/1382 | 3C1837461E* | 30/1416 |
| 39134106* | 30/2617 | 3AF839461C* | 30/1382 | 3C1837461F | 30/2251 |
| 39137857* | 30/2704 | 3AF839462* | 30/1381 | 3C1837461F* | 30/1416 |
| 39137858* | 30/2703 | 3AF839462B* | 30/1381 | 3C1837461G | 30/2251 |

TAVOLE DI COMPARAZIONE / CROSS REFERENCE GUIDE

Alzacristalli / Window



| Rif. adattabilità Compatible OEM ref. | Ns. rif. Our Ref. | Rif. adattabilità Compatible OEM ref. | Ns. rif. Our Ref. | Rif. adattabilità Compatible OEM ref. | Ns. rif. Our Ref. |
|--|----------------------|--|----------------------|--|----------------------|
| 3C1837461G* | 30/1416 | 3C8839462J | 30/2583 | 3G8839462B | 30/3141 |
| 3C1837461H | 30/2251 | 3C8839462K | 30/2583 | 3G9839461 | 30/2586 |
| 3C1837461H* | 30/1416 | 3C8839462M | 30/2583 | 3G9839461A | 30/2586 |
| 3C1837462E | 30/2250 | 3C9839461A* | 30/1382 | 3G9839461B | 30/2586 |
| 3C1837462E* | 30/1415 | 3C9839461G* | 30/1382 | 3G9839462 | 30/2585 |
| 3C1837462F | 30/2250 | 3C9839461J* | 30/1382 | 3G9839462A | 30/2585 |
| 3C1837462F* | 30/1415 | 3C9839461L* | 30/1382 | 3G9839462B | 30/2585 |
| 3C1837462G | 30/2250 | 3C9839462A* | 30/1381 | 3M51R27000DA | 30/1944 |
| 3C1837462G* | 30/1415 | 3C9839462G* | 30/1381 | 3M51R27000DA | 30/1944 |
| 3C1837462H | 30/2250 | 3C9839462J* | 30/1381 | 3M51R27001DA | 30/1945 |
| 3C1837462H* | 30/1415 | 3C9839462L* | 30/1381 | 3M51R27001DA | 30/1945 |
| 3C5839461A* | 30/1382 | 3G0837461 | 30/2602 | 3T0837461A | 30/2876 |
| 3C5839461G* | 30/1382 | 3G0837461A | 30/2602 | 3T0837461A* | 30/2576 |
| 3C5839461J* | 30/1382 | 3G0837461B | 30/2602 | 3T0837462A | 30/2875 |
| 3C5839462A* | 30/1381 | 3G0837461C | 30/2602 | 3T0837462A* | 30/2575 |
| 3C5839462G* | 30/1381 | 3G0837462 | 30/2601 | 3T0839461 | 30/2878 |
| 3C5839462J* | 30/1381 | 3G0837462A | 30/2601 | 3T0839461A* | 30/2578 |
| 3C8837461F | 30/2582 | 3G0837462B | 30/2601 | 3T0839462 | 30/2877 |
| 3C8837461G | 30/2582 | 3G0837462C | 30/2601 | 3T0839462A* | 30/2577 |
| 3C8837461J | 30/2582 | 3G5839461 | 30/3076 | 3V0837461A | 30/2960 |
| 3C8837462F | 30/2581 | 3G5839461A | 30/3076 | 3V0837462A | 30/2961 |
| 3C8837462G | 30/2581 | 3G5839461B | 30/3076 | 3V0839461 | 30/2964 |
| 3C8837462J | 30/2581 | 3G5839462 | 30/3075 | 3V0839462 | 30/2965 |
| 3C8839461F | 30/2584 | 3G5839462A | 30/3075 | 4116336 | 30/28B |
| 3C8839461G | 30/2584 | 3G5839462B | 30/3075 | 4133789 | 30/39 |
| 3C8839461J | 30/2584 | 3G8837461B | 30/3138 | 4133789 | 30/39 |
| 3C8839461K | 30/2584 | 3G8837462B | 30/3139 | 4170312 | 30/39 |
| 3C8839461M | 30/2584 | 3G8839461A | 30/3140 | 4170312 | 30/39 |
| 3C8839462F | 30/2583 | 3G8839461B | 30/3140 | 42333231 | 30/2758 |
| 3C8839462G | 30/2583 | 3G8839462A | 30/3141 | 42333232 | 30/2757 |

TAVOLE DI COMPARAZIONE / CROSS REFERENCE GUIDE

Alzacristalli / Window



| Rif. adattabilità Compatible OEM ref. | Ns. rif. Our Ref. | Rif. adattabilità Compatible OEM ref. | Ns. rif. Our Ref. | Rif. adattabilità Compatible OEM ref. | Ns. rif. Our Ref. |
|--|----------------------|--|----------------------|--|----------------------|
| 4244339 | 30/61 | 42574134* | 30/1671 | 43574133* | 30/1670 |
| 4244340 | 30/62 | 42574134* | 30/1671 | 43574133* | 30/1670 |
| 42565948 | 30/1005C | 42574134* | 30/1671 | 43574133* | 30/1670 |
| 42565948 | 30/1005C | 42574134* | 30/1671 | 43574133* | 30/1670 |
| 42565948 | 30/1005C | 42574135 | 30/1005C | 4401254 | 30/208B |
| 42565948 | 30/1005C | 42574135 | 30/1005C | 4401254 | 30/208B |
| 42565948* | 30/1670 | 42574135 | 30/1005C | 4401254 | 30/208B |
| 42565948* | 30/1670 | 42574135 | 30/1005C | 4401254 | 30/208B |
| 42565948* | 30/1670 | 42574135* | 30/1670 | 4401257 | 30/208 |
| 42565948* | 30/1670 | 42574135* | 30/1670 | 4401257 | 30/208 |
| 42565949 | 30/1006C | 42574135* | 30/1670 | 4401257 | 30/208 |
| 42565949 | 30/1006C | 42574135* | 30/1670 | 4401257 | 30/208 |
| 42565949 | 30/1006C | 42594588 | 30/3015 | 4408554 | 30/888 |
| 42565949 | 30/1006C | 42594588 | 30/3015 | 4408554 | 30/888 |
| 42565949* | 30/1671 | 42594588 | 30/3015 | 4408554 | 30/888 |
| 42565949* | 30/1671 | 42594588 | 30/3015 | 4408554* | 30/1845 |
| 42565949* | 30/1671 | 42594589 | 30/3016 | 4408554* | 30/1845 |
| 42565949* | 30/1671 | 42594589 | 30/3016 | 4408554* | 30/1845 |
| 42574133 | 30/1005C | 42594589 | 30/3016 | 4408555 | 30/887 |
| 42574133 | 30/1005C | 42594589 | 30/3016 | 4408555 | 30/887 |
| 42574133 | 30/1005C | 4266790 | 30/60 | 4408555 | 30/887 |
| 42574133 | 30/1005C | 4275685 | 30/54 | 4408555* | 30/1844 |
| 42574133* | 30/1670 | 4277146 | 30/154 | 4408555* | 30/1844 |
| 42574133* | 30/1670 | 4305181* | 30/7336 | 4408555* | 30/1844 |
| 42574133* | 30/1670 | 4305199* | 30/7335 | 4416295 | 30/3016 |
| 42574133* | 30/1670 | 4328381* | 30/7328 | 4416295 | 30/3016 |
| 42574134 | 30/1006C | 4328415* | 30/7327 | 4416295 | 30/3016 |
| 42574134 | 30/1006C | 4328423* | 30/7328 | 4416295 | 30/3016 |
| 42574134 | 30/1006C | 4328555 | 30/7325 | 4416295* | 30/1793 |
| 42574134 | 30/1006C | 4328563 | 30/7326 | 4416295* | 30/1793 |

TAVOLE DI COMPARAZIONE / CROSS REFERENCE GUIDE

Alzacristalli / Window



| Rif. adattabilità Compatible OEM ref. | Ns. rif. Our Ref. | Rif. adattabilità Compatible OEM ref. | Ns. rif. Our Ref. | Rif. adattabilità Compatible OEM ref. | Ns. rif. Our Ref. |
|--|----------------------|--|----------------------|--|----------------------|
| 4416295* | 30/1793 | 4523918* | 30/1926 | 46479593 | 30/787 |
| 4416295* | 30/1793 | 4523921 | 30/1317 | 46510629 | 30/831 |
| 4420302* | 30/1983 | 4523921* | 30/1927 | 46510670 | 30/832 |
| 4420302* | 30/1983 | 4636961 | 30/39 | 46510763 | 30/848 |
| 4420302* | 30/1983 | 4636961 | 30/39 | 46512240 | 30/207 |
| 4420303* | 30/1982 | 46405078 | 30/735 | 46512241 | 30/817 |
| 4420303* | 30/1982 | 46405079 | 30/734 | 46512303 | 30/207B |
| 4420303* | 30/1982 | 46407883 | 30/194 | 46512304 | 30/818 |
| 443837397D* | 30/7009 | 46407884 | 30/194B | 46513600 | 30/847 |
| 443837398D* | 30/7010 | 46407977 | 30/777 | 46528634 | 30/773 |
| 443959801G* | 30/7009 | 46407978 | 30/778 | 46528635 | 30/774 |
| 443959802G* | 30/7010 | 46436525 | 30/773 | 46528638 | 30/195 |
| 4445608 | 30/145 | 46436526 | 30/774 | 46528639 | 30/195B |
| 4445608 | 30/145 | 46436527 | 30/7074 | 46528728 | 30/195 |
| 4445608 | 30/145 | 46436528 | 30/7073 | 46528729 | 30/195B |
| 4445609 | 30/145B | 46440784 | 30/195 | 46528730 | 30/773 |
| 4445609 | 30/145B | 46440785 | 30/195B | 46528731 | 30/774 |
| 4445609 | 30/145B | 46442098 | 30/738 | 46536307 | 30/204 |
| 4449167 | 30/60 | 46442099 | 30/739 | 46536308 | 30/204B |
| 4458243 | 30/248 | 4644622 | 30/69 | 46536311 | 30/841 |
| 4458245 | 30/248B | 4644623 | 30/70 | 46536312 | 30/842 |
| 4500490 | 30/208B | 46446616 | 30/837 | 46543871 | 30/901 |
| 4500490 | 30/208B | 46446617 | 30/838 | 46543995 | 30/902 |
| 4500490 | 30/208B | 46446618 | 30/833 | 46544057 | 30/903 |
| 4500490 | 30/208B | 46446619 | 30/834 | 46544079 | 30/904 |
| 4500491 | 30/208 | 46446908 | 30/201 | 46554554 | 30/773 |
| 4500491 | 30/208 | 46459545 | 30/793 | 46554555 | 30/774 |
| 4500491 | 30/208 | 46459546 | 30/794 | 46559811 | 30/773 |
| 4500491 | 30/208 | 46459547 | 30/795 | 46559812 | 30/774 |
| 4523918 | 30/1316 | 46459548 | 30/796 | 46720206 | 30/753 |

TAVOLE DI COMPARAZIONE / CROSS REFERENCE GUIDE

Alzacristalli / Window



| Rif. adattabilità Compatible OEM ref. | Ns. rif. Our Ref. | Rif. adattabilità Compatible OEM ref. | Ns. rif. Our Ref. | Rif. adattabilità Compatible OEM ref. | Ns. rif. Our Ref. |
|--|----------------------|--|----------------------|--|----------------------|
| 46720207 | 30/754 | 46751871 | 30/860 | 46823970 | 30/882 |
| 46730690 | 30/753 | 46760389 | 30/903 | 46831640 | 30/874 |
| 46730691 | 30/754 | 46760390 | 30/904 | 46831641 | 30/873 |
| 46735842 | 30/753 | 46761605 | 30/755 | 46831652 | 30/867 |
| 46735843 | 30/754 | 46761606 | 30/756 | 46831652 | 30/3097 |
| 46735970 | 30/753 | 46778564 | 30/777 | 46831653 | 30/868 |
| 46735971 | 30/754 | 46778565 | 30/778 | 46831653 | 30/3096 |
| 46736060 | 30/753 | 46786203 | 30/837 | 46831654 | 30/869 |
| 46736061 | 30/754 | 46786204 | 30/838 | 46831654 | 30/3099 |
| 46736432 | 30/795 | 46790322 | 30/903 | 46831655 | 30/870 |
| 46736433 | 30/796 | 46790323 | 30/904 | 46831655 | 30/3098 |
| 46736434 | 30/793 | 46790326 | 30/901 | 46831656 | 30/1403 |
| 46736435 | 30/794 | 46790327 | 30/902 | 46831656 | 30/3119 |
| 46736840 | 30/837 | 46803649 | 30/216 | 46831657 | 30/1404 |
| 46736841 | 30/838 | 46803650 | 30/216B | 46831657 | 30/3118 |
| 46736842 | 30/833 | 46803651 | 30/941 | 46841277 | 30/876 |
| 46736843 | 30/834 | 46803652 | 30/942 | 46841277 | 30/2153 |
| 46737177 | 30/777 | 46803653 | 30/229 | 46841277 | 30/876 |
| 46737178 | 30/778 | 46803654 | 30/229B | 46841277 | 30/2153 |
| 46739794 | 30/883 | 46808306 | 30/901 | 46841278 | 30/875 |
| 46739795 | 30/884 | 46808307 | 30/902 | 46841278 | 30/2152 |
| 46743274 | 30/755 | 46808308 | 30/899 | 46841278 | 30/875 |
| 46743275 | 30/756 | 46808309 | 30/900 | 46841278 | 30/2152 |
| 46743276 | 30/771 | 46810618 | 30/881 | 46843350 | 30/893 |
| 46743277 | 30/772 | 46810619 | 30/882 | 46843351 | 30/894 |
| 46747426 | 30/209 | 46810620 | 30/209 | 46843352 | 30/899 |
| 46747427 | 30/209B | 46810621 | 30/209B | 46843353 | 30/900 |
| 46751438 | 30/881 | 46810676 | 30/881 | 46847916 | 30/837 |
| 46751439 | 30/882 | 46810677 | 30/882 | 46847917 | 30/838 |
| 46751870 | 30/859 | 46823969 | 30/881 | 4695672 | 30/7333 |

TAVOLE DI COMPARAZIONE / CROSS REFERENCE GUIDE

Alzacristalli / Window



| Rif. adattabilità Compatible OEM ref. | Ns. rif. Our Ref. | Rif. adattabilità Compatible OEM ref. | Ns. rif. Our Ref. | Rif. adattabilità Compatible OEM ref. | Ns. rif. Our Ref. |
|--|----------------------|--|----------------------|--|----------------------|
| 4695680 | 30/7334 | 4711475 | 30/1470 | 4856064 | 30/1006 |
| 4695714 | 30/7325 | 4711475 | 30/1470 | 4856064 | 30/1006 |
| 4695722 | 30/7326 | 4711476 | 30/1469 | 4A0837461A* | 30/7011 |
| 4700399 | 30/1470 | 4711476 | 30/1469 | 4A0837462A* | 30/7012 |
| 4700399 | 30/1470 | 4711476 | 30/1469 | 4A0959801* | 30/7011 |
| 4700399 | 30/1470 | 477837391* | 30/2340 | 4A0959802* | 30/7012 |
| 4700401 | 30/1469 | 477837391C* | 30/2340 | 4B0837461 | 30/1038 |
| 4700401 | 30/1469 | 477837392B* | 30/2339 | 4B0837461A | 30/1038 |
| 4700401 | 30/1469 | 477837392C* | 30/2339 | 4B0837461C | 30/1038 |
| 4701073 | 30/853 | 47787391B* | 30/2340 | 4B0837462 | 30/1037 |
| 4701073 | 30/853 | 47787392* | 30/2339 | 4B0837462A | 30/1037 |
| 4701074 | 30/854 | 477937392C* | 30/2339 | 4B0837462C | 30/1037 |
| 4701074 | 30/854 | 477959123A* | 30/2340 | 4B0839461 | 30/1438 |
| 4707410 | 30/853 | 477959124A* | 30/2339 | 4B0839462 | 30/1437 |
| 4707410 | 30/853 | 4796306 | 30/1148 | 4F0837461C | 30/1561 |
| 4707411 | 30/854 | 4796307 | 30/1149 | 4F0837461D | 30/1561 |
| 4707411 | 30/854 | 4817018 | 30/185 | 4F0837462C | 30/1560 |
| 4708798 | 30/1469 | 4817019 | 30/185B | 4F0837462D | 30/1560 |
| 4708798 | 30/1469 | 4817201 | 30/746 | 4F0839461A | 30/1563 |
| 4708798 | 30/1469 | 4817202 | 30/747 | 4F0839461B | 30/1563 |
| 4708799 | 30/1470 | 4851887 | 30/7326 | 4F0839462A | 30/1562 |
| 4708799 | 30/1470 | 4851895 | 30/7325 | 4F0839462B | 30/1562 |
| 4708799 | 30/1470 | 4856063 | 30/751 | 4G0837461 | 30/2982 |
| 4708802 | 30/2168 | 4856063 | 30/1005 | 4G0837462 | 30/2983 |
| 4708802 | 30/2168 | 4856063 | 30/1005 | 4G0839461 | 30/2984 |
| 4708802 | 30/2168 | 4856063 | 30/1005 | 4G0839462 | 30/2985 |
| 4708803 | 30/2169 | 4856063 | 30/1005 | 4L0837461A | 30/1849 |
| 4708803 | 30/2169 | 4856064 | 30/752 | 4L0837461E | 30/1849 |
| 4708803 | 30/2169 | 4856064 | 30/1006 | 4L0837462A | 30/1848 |
| 4711475 | 30/1470 | 4856064 | 30/1006 | 4L0837462E | 30/1848 |

TAVOLE DI COMPARAZIONE / CROSS REFERENCE GUIDE

Alzacristalli / Window



| Rif. adattabilità Compatible OEM ref. | Ns. rif. Our Ref. | Rif. adattabilità Compatible OEM ref. | Ns. rif. Our Ref. | Rif. adattabilità Compatible OEM ref. | Ns. rif. Our Ref. |
|--|----------------------|--|----------------------|--|----------------------|
| 4L0839461A | 30/1851 | 500314250 | 30/208 | 503474354 | 30/208 |
| 4L0839461D | 30/1851 | 500314250 | 30/208 | 503474354 | 30/208 |
| 4L0839462A | 30/1850 | 500411309 | 30/7141 | 503645312 | 30/208 |
| 4L0839462D | 30/1850 | 500411310 | 30/7142 | 503645312 | 30/179 |
| 4S7837461B | 30/2676 | 5010301991 | 30/247B | 503645312 | 30/208 |
| 4S7837462B | 30/2675 | 5010301991 | 30/247B | 503645312 | 30/208 |
| 4S8837461B | 30/2687 | 5010301991 | 30/247B | 503645312 | 30/208 |
| 4S8837462B | 30/2688 | 5010301992 | 30/247 | 504040988 | 30/748 |
| 50003666 | 30/197 | 5010301992 | 30/247 | 504040988 | 30/748 |
| 50003666 | 30/197 | 5010301992 | 30/247 | 504040989 | 30/749 |
| 50003667 | 30/197B | 5010301993 | 30/1521 | 504040989 | 30/749 |
| 50003667 | 30/197B | 5010301993 | 30/1521 | 504053527 | 30/3016 |
| 500039639 | 30/3015 | 5010301993 | 30/1521 | 504053527 | 30/3016 |
| 500039639 | 30/3015 | 5010301994 | 30/1520 | 504053527 | 30/3016 |
| 500039639 | 30/3015 | 5010301994 | 30/1520 | 504053527 | 30/3016 |
| 500039639 | 30/3015 | 5010301994 | 30/1520 | 504053528 | 30/3015 |
| 500039640 | 30/3016 | 5010468940 | 30/1760 | 504053528 | 30/3015 |
| 500039640 | 30/3016 | 5017812AB* | 30/7070 | 504053528 | 30/3015 |
| 500039640 | 30/3016 | 5018715AA* | 30/7069 | 504053528 | 30/3015 |
| 500039640 | 30/3016 | 503474162 | 30/747 | 504157966 | 30/186 |
| 500314229 | 30/3016 | 503474163 | 30/746 | 504157967 | 30/186B |
| 500314229 | 30/3016 | 503474164 | 30/185 | 504173866 | 30/3015 |
| 500314229 | 30/3016 | 503474353 | 30/208B | 504173866 | 30/3015 |
| 500314229 | 30/3016 | 503474353 | 30/179B | 504173866 | 30/3015 |
| 500314230 | 30/3015 | 503474353 | 30/208B | 504173866 | 30/3015 |
| 500314230 | 30/3015 | 503474353 | 30/208B | 504173868 | 30/3016 |
| 500314230 | 30/3015 | 503474353 | 30/208B | 504173868 | 30/3016 |
| 500314230 | 30/3015 | 503474354 | 30/208 | 504173868 | 30/3016 |
| 500314250 | 30/208 | 503474354 | 30/179 | 504173868 | 30/3016 |
| 500314250 | 30/208 | 503474354 | 30/208 | 504335512 | 30/1005C |

TAVOLE DI COMPARAZIONE / CROSS REFERENCE GUIDE

Alzacristalli / Window



| Rif. adattabilità Compatible OEM ref. | Ns. rif. Our Ref. | Rif. adattabilità Compatible OEM ref. | Ns. rif. Our Ref. | Rif. adattabilità Compatible OEM ref. | Ns. rif. Our Ref. |
|--|----------------------|--|----------------------|--|----------------------|
| 504335512 | 30/1005C | 504356352* | 30/1671 | 51331977610 | 30/1244 |
| 504335512 | 30/1005C | 50509157* | 30/1554 | 51331977610* | 30/7020 |
| 504335512 | 30/1005C | 50509158* | 30/1555 | 51332579945 | 30/2047 |
| 504335512* | 30/1670 | 50515589* | 30/1554 | 51332579946 | 30/2046 |
| 504335512* | 30/1670 | 50515590* | 30/1555 | 51332756083 | 30/1957 |
| 504335512* | 30/1670 | 50520950* | 30/1554 | 51332756084 | 30/1956 |
| 504335512* | 30/1670 | 50520951* | 30/1555 | 51332990385 | 30/2279 |
| 504335520 | 30/1006C | 50526658* | 30/1554 | 51332990386 | 30/2278 |
| 504335520 | 30/1006C | 50526659* | 30/1555 | 51333330997 | 30/1173 |
| 504335520 | 30/1006C | 50532603* | 30/2662 | 51333330998 | 30/1172 |
| 504335520 | 30/1006C | 50532604* | 30/2661 | 51333402211 | 30/1173 |
| 504335520* | 30/1671 | 5117494 | 30/7325 | 51333402212 | 30/1172 |
| 504335520* | 30/1671 | 5117502 | 30/7326 | 51333448249 | 30/1173 |
| 504335520* | 30/1671 | 5118330* | 30/1794 | 51333448250 | 30/1172 |
| 504335520* | 30/1671 | 5118333* | 30/1795 | 51337013753 | 30/2219 |
| 504356351 | 30/1005C | 51217142237 | 30/2219 | 51337013754 | 30/2218 |
| 504356351 | 30/1005C | 51217142238 | 30/2218 | 51337020659 | 30/1072 |
| 504356351 | 30/1005C | 51321944069* | 30/7023 | 51337020659* | 30/1313 |
| 504356351 | 30/1005C | 51321944070* | 30/7024 | 51337020660 | 30/1071 |
| 504356351* | 30/1670 | 51330018129 | 30/1072 | 51337020660* | 30/1312 |
| 504356351* | 30/1670 | 51330018129* | 30/1313 | 51337039451 | 30/1203 |
| 504356351* | 30/1670 | 51330018130 | 30/1071 | 51337039451* | 30/1575 |
| 504356351* | 30/1670 | 51330018130* | 30/1312 | 51337039452 | 30/1202 |
| 504356352 | 30/1006C | 51331384003* | 30/7024 | 51337039452* | 30/1574 |
| 504356352 | 30/1006C | 51331384004* | 30/7023 | 51337075667 | 30/1247 |
| 504356352 | 30/1006C | 51331384004* | 30/7024 | 51337075668 | 30/1246 |
| 504356352 | 30/1006C | 51331977579 | 30/1243 | 51337079919 | 30/2197 |
| 504356352* | 30/1671 | 51331977580 | 30/1242 | 51337079920 | 30/2196 |
| 504356352* | 30/1671 | 51331977609 | 30/1245 | 51337138465 | 30/1442 |
| 504356352* | 30/1671 | 51331977609* | 30/7019 | 51337138466 | 30/1441 |

TAVOLE DI COMPARAZIONE / CROSS REFERENCE GUIDE

Alzacristalli / Window



| Rif. adattabilità Compatible OEM ref. | Ns. rif. Our Ref. | Rif. adattabilità Compatible OEM ref. | Ns. rif. Our Ref. | Rif. adattabilità Compatible OEM ref. | Ns. rif. Our Ref. |
|--|----------------------|--|----------------------|--|----------------------|
| 51337140587 | 30/1297 | 51337296443 | 30/3110 | 51338212097 | 30/1072 |
| 51337140588 | 30/1296 | 51337296444 | 30/3111 | 51338212097* | 30/1313 |
| 51337165595 | 30/1444 | 51337355635 | 30/2029 | 51338212098 | 30/1071 |
| 51337165596 | 30/1443 | 51337355636 | 30/2028 | 51338212098* | 30/1312 |
| 51337166379 | 30/1853 | 51337409357 | 30/2039 | 51338229105* | 30/7021 |
| 51337166380 | 30/1852 | 51337409357* | 30/2702 | 51338229106* | 30/7022 |
| 51337182131 | 30/3000 | 51337409358 | 30/2038 | 51338236859 | 30/1068 |
| 51337182132 | 30/2999 | 51337409358* | 30/2701 | 51338236860 | 30/1067 |
| 51337184383 | 30/1247 | 51337434781 | 30/2055 | 51338251351 | 30/2197 |
| 51337184384 | 30/1246 | 51337434782 | 30/2054 | 51338251352 | 30/2196 |
| 51337197301 | 30/2033 | 51337434785 | 30/2051 | 51338252393 | 30/1068 |
| 51337197302 | 30/2032 | 51337434786 | 30/2050 | 51338252394 | 30/1067 |
| 51337198303 | 30/2946 | 51337437547 | 30/2043 | 51338254911 | 30/1177 |
| 51337198304 | 30/2945 | 51337437548 | 30/2042 | 51338254911* | 30/1573 |
| 51337198909 | 30/2219 | 51337487087* | 30/3112 | 51338254912 | 30/1176 |
| 51337198910 | 30/2218 | 51337487088* | 30/3113 | 51338254912* | 30/1572 |
| 51337281881 | 30/3122 | 51337490191 | 30/2047 | 51339805669 | 30/1959 |
| 51337281882 | 30/3123 | 51337490192 | 30/2046 | 51339805670 | 30/1958 |
| 51337281885 | 30/2035 | 51337490193 | 30/2049 | 51348212099 | 30/1074 |
| 51337281885* | 30/1531 | 51337490194 | 30/2048 | 51348212099* | 30/1315 |
| 51337281886 | 30/2034 | 51337490195 | 30/2055 | 51352990387 | 30/2445 |
| 51337281886* | 30/1530 | 51337490196 | 30/2054 | 51352990388 | 30/2444 |
| 51337286483 | 30/3168 | 51337490197 | 30/2057 | 51353413189 | 30/1175 |
| 51337286484 | 30/3167 | 51337490198 | 30/2056 | 51353413190 | 30/1174 |
| 51337292119 | 30/2187 | 51337498147* | 30/3150 | 51353448251 | 30/1175 |
| 51337292120 | 30/2186 | 51337498148* | 30/3149 | 51353448252 | 30/1174 |
| 51337296381 | 30/2047 | 51338159831 | 30/1068 | 51357024813 | 30/1299 |
| 51337296382 | 30/2046 | 51338159832 | 30/1067 | 51357024814 | 30/1298 |
| 51337296387 | 30/2049 | 51338196038 | 30/1071 | 51357075673 | 30/1955 |
| 51337296388 | 30/2048 | 51338196038* | 30/1312 | 51357075674 | 30/1954 |

TAVOLE DI COMPARAZIONE / CROSS REFERENCE GUIDE

Alzacristalli / Window



| Rif. adattabilità Compatible OEM ref. | Ns. rif. Our Ref. | Rif. adattabilità Compatible OEM ref. | Ns. rif. Our Ref. | Rif. adattabilità Compatible OEM ref. | Ns. rif. Our Ref. |
|--|----------------------|--|----------------------|--|----------------------|
| 51357125059 | 30/1179 | 51357434787 | 30/2053 | 51359805671 | 30/1961 |
| 51357125059* | 30/7025 | 51357434788 | 30/2052 | 51359805672 | 30/1960 |
| 51357125060 | 30/1178 | 51357437549 | 30/2045 | 5140013 | 30/252B |
| 51357125060* | 30/7026 | 51357437550 | 30/2044 | 5140014 | 30/252 |
| 51357138467 | 30/968 | 51357490199 | 30/2053 | 5140015* | 30/1103 |
| 51357138468 | 30/967 | 51357490200 | 30/2052 | 5140016* | 30/1102 |
| 51357138863 | 30/1299 | 51357490205 | 30/2045 | 5140019 | 30/2133 |
| 51357138864 | 30/1298 | 51357490206 | 30/2044 | 5140019* | 30/7265 |
| 51357140589 | 30/972 | 51357490207 | 30/2041 | 5140019* | 30/1689 |
| 51357140590 | 30/971 | 51357490208 | 30/2040 | 5140020 | 30/2132 |
| 51357166381 | 30/1855 | 51357498149* | 30/3164 | 5140020* | 30/7266 |
| 51357166382 | 30/1854 | 51357498150* | 30/3163 | 5140020* | 30/1688 |
| 51357182613 | 30/3002 | 51358159835* | 30/1070 | 5140031* | 30/1189 |
| 51357182614 | 30/3001 | 51358159836* | 30/1069 | 5140032* | 30/1188 |
| 51357184745 | 30/1955 | 51358200717 | 30/1074 | 5140035* | 30/2752 |
| 51357184746 | 30/1954 | 51358200717* | 30/1315 | 5140035* | 30/2736 |
| 51357202481 | 30/1299 | 51358200718 | 30/1073 | 5140035* | 30/1691 |
| 51357202482 | 30/1298 | 51358200718* | 30/1314 | 5140036* | 30/2751 |
| 51357281883 | 30/2447 | 51358212099 | 30/1074 | 5140036* | 30/1425C |
| 51357281884 | 30/2446 | 51358212099* | 30/1315 | 5140036* | 30/2735 |
| 51357281887 | 30/2037 | 51358212100 | 30/1073 | 5140036* | 30/1690 |
| 51357281888 | 30/2036 | 51358212100* | 30/1314 | 5140040* | 30/1425C |
| 51357291951 | 30/3170 | 51358252429 | 30/1571 | 5140040* | 30/2735 |
| 51357291952 | 30/3169 | 51358252429* | 30/1201 | 5140040* | 30/1690 |
| 51357355639 | 30/2031 | 51358252430 | 30/1570 | 5140043 | 30/1668 |
| 51357355640 | 30/2030 | 51358252430* | 30/1200 | 5140044 | 30/1669 |
| 51357409359 | 30/2041 | 51358254913 | 30/1179 | 5140059 | 30/1673 |
| 51357409360 | 30/2040 | 51358254913* | 30/7025 | 5140060 | 30/1672 |
| 51357434783 | 30/2057 | 51358254914 | 30/1178 | 5140061 | 30/1993 |
| 51357434784 | 30/2056 | 51358254914* | 30/7026 | 5140061 | 30/272B |

TAVOLE DI COMPARAZIONE / CROSS REFERENCE GUIDE

Alzacristalli / Window



| Rif. adattabilità Compatible OEM ref. | Ns. rif. Our Ref. | Rif. adattabilità Compatible OEM ref. | Ns. rif. Our Ref. | Rif. adattabilità Compatible OEM ref. | Ns. rif. Our Ref. |
|--|----------------------|--|----------------------|--|----------------------|
| 5140061* | 30/1993C | 5140089 | 30/1428 | 51707609 | 30/900 |
| 5140062 | 30/1992 | 5140089 | 30/1427 | 51711750 | 30/209 |
| 5140062 | 30/272 | 5140089* | 30/1426C | 51711751 | 30/209B |
| 5140062* | 30/1992C | 5140089* | 30/2736 | 51716313 | 30/837 |
| 5140065* | 30/1675 | 5140089* | 30/1691 | 51716314 | 30/838 |
| 5140066* | 30/1674 | 5140090 | 30/1427 | 51716334 | 30/837 |
| 5140067 | 30/1669 | 5140090* | 30/2735 | 51716335 | 30/834 |
| 5140069 | 30/1205C | 5140091 | 30/1993 | 51716336 | 30/838 |
| 5140069* | 30/2740 | 5140091 | 30/272B | 51718403 | 30/881 |
| 5140069* | 30/1205 | 5140091* | 30/1993C | 51718404 | 30/882 |
| 5140070 | 30/1204C | 5140092 | 30/1992 | 51723315 | 30/977 |
| 5140070* | 30/2739 | 5140092 | 30/272 | 51723315 | 30/977 |
| 5140070* | 30/1204 | 5140092* | 30/1992C | 51723316 | 30/978 |
| 5140072* | 30/1676 | 5140093* | 30/1693 | 51723316 | 30/978 |
| 5140073 | 30/1424 | 5140094* | 30/2853 | 51723317 | 30/975 |
| 5140073* | 30/1695 | 5140094* | 30/1692 | 51723317 | 30/975 |
| 5140074 | 30/1423 | 5140099* | 30/1693 | 51723317* | 30/1224 |
| 5140074* | 30/1694 | 5140105 | 30/224B | 51723317* | 30/1224 |
| 5140077 | 30/1424 | 5140106 | 30/224 | 51723318 | 30/976 |
| 5140077* | 30/1695 | 5140112 | 30/991 | 51723318 | 30/976 |
| 5140078 | 30/1423 | 5140112* | 30/1343 | 51723318* | 30/1225 |
| 5140078* | 30/1694 | 5140115 | 30/992 | 51723318* | 30/1225 |
| 5140081* | 30/1191 | 5140115* | 30/1344 | 51723323 | 30/220 |
| 5140082* | 30/1190 | 5140116 | 30/991 | 51723323 | 30/220 |
| 5140087 | 30/1426 | 5140116* | 30/1343 | 51723324 | 30/220B |
| 5140087* | 30/2752 | 51704762 | 30/881 | 51723324 | 30/220B |
| 5140087* | 30/1426C | 51704763 | 30/882 | 51723327 | 30/979 |
| 5140087* | 30/1691 | 51707606 | 30/893 | 51723327 | 30/979 |
| 5140088 | 30/1425 | 51707607 | 30/894 | 51723327* | 30/7077 |
| 5140088* | 30/2751 | 51707608 | 30/899 | 51723327* | 30/1616 |

TAVOLE DI COMPARAZIONE / CROSS REFERENCE GUIDE

Alzacristalli / Window



| Rif. adattabilità Compatible OEM ref. | Ns. rif. Our Ref. | Rif. adattabilità Compatible OEM ref. | Ns. rif. Our Ref. | Rif. adattabilità Compatible OEM ref. | Ns. rif. Our Ref. |
|--|----------------------|--|----------------------|--|----------------------|
| 51723327* | 30/7077 | 51785841 | 30/3120 | 51814131 | 30/3134 |
| 51723327* | 30/1616 | 51786728 | 30/977 | 51814131* | 30/1917 |
| 51723328 | 30/980 | 51786728 | 30/977 | 51814131* | 30/1917 |
| 51723328 | 30/980 | 51786729 | 30/978 | 51824038 | 30/3121 |
| 51723328* | 30/7078 | 51786729 | 30/978 | 51824038 | 30/3121 |
| 51723328* | 30/1617 | 51793186 | 30/232 | 51824040 | 30/3120 |
| 51723328* | 30/7078 | 51793187 | 30/232B | 51824040 | 30/3120 |
| 51723328* | 30/1617 | 51793188 | 30/1286 | 51827393* | 30/1401 |
| 51723381* | 30/1225 | 51793189 | 30/1287 | 51827393* | 30/1401 |
| 51723381* | 30/1225 | 51801611 | 30/941 | 51827394* | 30/1402 |
| 51736638 | 30/893 | 51801612 | 30/942 | 51827394* | 30/1402 |
| 51736639 | 30/894 | 51810879 | 30/3133 | 51827395* | 30/1614 |
| 51736640 | 30/899 | 51810879 | 30/3133 | 51827395* | 30/1614 |
| 51736641 | 30/900 | 51810879* | 30/7072 | 51827396* | 30/1615 |
| 51764549 | 30/841 | 51810879* | 30/1890 | 51827396* | 30/1615 |
| 51764550 | 30/842 | 51810879* | 30/1916 | 51829140* | 30/1401 |
| 51765574 | 30/977 | 51810879* | 30/7072 | 51829140* | 30/1401 |
| 51765574 | 30/977 | 51810879* | 30/1890 | 51829141* | 30/1402 |
| 51765575 | 30/978 | 51810879* | 30/1916 | 51829141* | 30/1402 |
| 51765575 | 30/978 | 51810880 | 30/3132 | 5182969 | 30/1316 |
| 51771448 | 30/837 | 51810880 | 30/3132 | 5182969* | 30/1926 |
| 51772393 | 30/838 | 51810880* | 30/7071 | 5182970 | 30/1317 |
| 51772394 | 30/834 | 51810880* | 30/1891 | 5182970* | 30/1927 |
| 51779573* | 30/1615 | 51810880* | 30/7071 | 51830253* | 30/1401 |
| 51779573* | 30/1615 | 51810880* | 30/1891 | 51830253* | 30/1401 |
| 51779575* | 30/1614 | 51814130 | 30/3135 | 51830254* | 30/1402 |
| 51779575* | 30/1614 | 51814130 | 30/3135 | 51830254* | 30/1402 |
| 51785413 | 30/3121 | 51814130* | 30/1916 | 51830869 | 30/1286 |
| 51785413 | 30/3121 | 51814130* | 30/1916 | 51830870 | 30/1287 |
| 51785841 | 30/3120 | 51814131 | 30/3134 | 51832157* | 30/1614 |

TAVOLE DI COMPARAZIONE / CROSS REFERENCE GUIDE

Alzacristalli / Window



| Rif. adattabilità Compatible OEM ref. | Ns. rif. Our Ref. | Rif. adattabilità Compatible OEM ref. | Ns. rif. Our Ref. | Rif. adattabilità Compatible OEM ref. | Ns. rif. Our Ref. |
|--|----------------------|--|----------------------|--|----------------------|
| 51832157* | 30/1614 | 5184916 | 30/7325 | 51899290 | 30/975 |
| 51832158* | 30/1615 | 5184924 | 30/7326 | 51899290 | 30/975 |
| 51832158* | 30/1615 | 5184932* | 30/7327 | 51899290* | 30/1224 |
| 51833742 | 30/1333 | 5184940* | 30/7328 | 51899290* | 30/1224 |
| 51833754 | 30/1334 | 51849796 | 30/1331 | 51899291 | 30/976 |
| 51833764 | 30/1335 | 51849797 | 30/1332 | 51899291 | 30/976 |
| 51833771 | 30/2977 | 51876267 | 30/3121 | 51899291* | 30/1225 |
| 51833777 | 30/1336 | 51876267 | 30/3121 | 51899291* | 30/1225 |
| 51833778 | 30/2976 | 51876269 | 30/3120 | 51899292 | 30/979 |
| 51836459* | 30/1401 | 51876269 | 30/3120 | 51899292 | 30/979 |
| 51836459* | 30/1401 | 51884233 | 30/1540 | 51899292* | 30/7077 |
| 51836460* | 30/1402 | 51884234 | 30/1541 | 51899292* | 30/1616 |
| 51836460* | 30/1402 | 51884235 | 30/235 | 51899292* | 30/7077 |
| 51842950 | 30/1479 | 51884236 | 30/235B | 51899292* | 30/1616 |
| 51842950* | 30/1483 | 51884237 | 30/2106B | 51899293 | 30/980 |
| 51843186 | 30/234 | 51884237* | 30/2154 | 51899293 | 30/980 |
| 51843301 | 30/1480 | 51884238 | 30/2107B | 51899293* | 30/7078 |
| 51843301* | 30/1484 | 51884238* | 30/2155 | 51899293* | 30/1617 |
| 51843559 | 30/234B | 51889362 | 30/3121 | 51899293* | 30/7078 |
| 51846384 | 30/941 | 51889362 | 30/3121 | 51899293* | 30/1617 |
| 51846385 | 30/942 | 51889364 | 30/3120 | 51906919 | 30/3135 |
| 5184817* | 30/2095 | 51889364 | 30/3120 | 51906919 | 30/3135 |
| 5184825* | 30/2094 | 51892567 | 30/1538 | 51906919* | 30/1916 |
| 5184833* | 30/2095 | 51892567* | 30/2026 | 51906919* | 30/1916 |
| 5184841* | 30/2094 | 51892568 | 30/1539 | 51906920 | 30/3134 |
| 5184858 | 30/7333 | 51892568* | 30/2027 | 51906920 | 30/3134 |
| 5184874* | 30/7327 | 51895384 | 30/977 | 51906920* | 30/1917 |
| 5184882* | 30/7328 | 51895384 | 30/977 | 51906920* | 30/1917 |
| 5184890 | 30/7329 | 51895385 | 30/978 | 51909795* | 30/1401 |
| 5184908 | 30/7330 | 51895385 | 30/978 | 51909795* | 30/1401 |

TAVOLE DI COMPARAZIONE / CROSS REFERENCE GUIDE

Alzacristalli / Window



| Rif. adattabilità Compatible OEM ref. | Ns. rif. Our Ref. | Rif. adattabilità Compatible OEM ref. | Ns. rif. Our Ref. | Rif. adattabilità Compatible OEM ref. | Ns. rif. Our Ref. |
|--|----------------------|--|----------------------|--|----------------------|
| 51909796* | 30/1402 | 51957505 | 30/2106B | 51980513 | 30/1538 |
| 51909796* | 30/1402 | 51957505* | 30/2154 | 51980513* | 30/2026 |
| 51909797* | 30/1614 | 51957506 | 30/2107B | 51980514 | 30/1539 |
| 51909797* | 30/1614 | 51957506* | 30/2155 | 51980514* | 30/2027 |
| 51909798* | 30/1615 | 51959113* | 30/1932 | 51980515 | 30/2106B |
| 51909798* | 30/1615 | 51959116* | 30/1933 | 51980515* | 30/2154 |
| 51935792 | 30/1333 | 51960552* | 30/1934 | 51980516 | 30/2107B |
| 51935793 | 30/1334 | 51960590 | 30/2192 | 51980516* | 30/2155 |
| 51935794 | 30/1331 | 51960724* | 30/1935 | 51980517 | 30/1538 |
| 51935795 | 30/1332 | 51960725 | 30/2193 | 51980517* | 30/2026 |
| 51935797 | 30/2977 | 51964136* | 30/1934 | 51980518* | 30/2027 |
| 51935800 | 30/1335 | 51964153* | 30/1935 | 51980519 | 30/1539 |
| 51935801 | 30/2976 | 51969465* | 30/1934 | 51983414* | 30/1554 |
| 51935802 | 30/1336 | 51969586 | 30/2192 | 51983415* | 30/1555 |
| 51943448* | 30/1401 | 51969588 | 30/2192 | 51983616 | 30/1479 |
| 51943448* | 30/1401 | 51969596 | 30/2193 | 51983616* | 30/1483 |
| 51943449* | 30/1402 | 51969598 | 30/2193 | 51983617 | 30/1480 |
| 51943449* | 30/1402 | 51973383* | 30/1935 | 51983617* | 30/1484 |
| 51943450* | 30/1614 | 51973391* | 30/1935 | 51983618 | 30/234 |
| 51943450* | 30/1614 | 51973422* | 30/1934 | 51983619 | 30/234B |
| 51943451* | 30/1615 | 51974579 | 30/1333 | 51983940* | 30/2465 |
| 51943451* | 30/1615 | 51974580 | 30/1334 | 51983942* | 30/2464 |
| 51945054 | 30/1538 | 51974653 | 30/1540 | 51983945* | 30/2463 |
| 51945054* | 30/2026 | 51974654 | 30/1541 | 51983946* | 30/2462 |
| 51945055 | 30/1539 | 51976093 | 30/3121 | 52015491* | 30/1932 |
| 51945055* | 30/2027 | 51976093 | 30/3121 | 52015494* | 30/1932 |
| 51957503 | 30/1538 | 51976094 | 30/3120 | 52015500* | 30/1933 |
| 51957503* | 30/2026 | 51976094 | 30/3120 | 52015502* | 30/1933 |
| 51957504 | 30/1539 | 51980108* | 30/2938 | 52025000 | 30/2976 |
| 51957504* | 30/2027 | 51980111* | 30/2937 | 52050176* | 30/2462 |

TAVOLE DI COMPARAZIONE / CROSS REFERENCE GUIDE

Alzacristalli / Window



| Rif. adattabilità Compatible OEM ref. | Ns. rif. Our Ref. | Rif. adattabilità Compatible OEM ref. | Ns. rif. Our Ref. | Rif. adattabilità Compatible OEM ref. | Ns. rif. Our Ref. |
|--|----------------------|--|----------------------|--|----------------------|
| 52050177* | 30/2463 | 52063785 | 30/3133 | 52072857* | 30/2463 |
| 52050178* | 30/2464 | 52063785 | 30/3133 | 52072859* | 30/2464 |
| 52050179* | 30/2465 | 52063785* | 30/7072 | 52072861* | 30/2465 |
| 52054564 | 30/1540 | 52063785* | 30/1890 | 52075399 | 30/1333 |
| 52054565 | 30/1541 | 52063785* | 30/1916 | 52075400 | 30/1331 |
| 52054999 | 30/2977 | 52063785* | 30/7072 | 52075401 | 30/1334 |
| 52055486 | 30/975 | 52063785* | 30/1890 | 52075402 | 30/1332 |
| 52055486 | 30/975 | 52063785* | 30/1916 | 52075403 | 30/1335 |
| 52055486* | 30/1224 | 52063786 | 30/3132 | 52075404 | 30/1336 |
| 52055486* | 30/1224 | 52063786 | 30/3132 | 52076549 | 30/1479 |
| 52055487 | 30/976 | 52063786* | 30/7071 | 52076549* | 30/1483 |
| 52055487 | 30/976 | 52063786* | 30/1891 | 52076550 | 30/1480 |
| 52055487* | 30/1225 | 52063786* | 30/7071 | 52076550* | 30/1484 |
| 52055487* | 30/1225 | 52063786* | 30/1891 | 52089869 | 30/3121 |
| 52055488 | 30/979 | 52065143* | 30/1932 | 52089869 | 30/3121 |
| 52055488 | 30/979 | 52065157* | 30/2938 | 52089870 | 30/3120 |
| 52055488* | 30/7077 | 52065165* | 30/2937 | 52089870 | 30/3120 |
| 52055488* | 30/1616 | 52067964* | 30/1935 | 52093914* | 30/2464 |
| 52055488* | 30/7077 | 52067969* | 30/1935 | 52093915* | 30/2465 |
| 52055488* | 30/1616 | 52069162* | 30/2464 | 52096801 | 30/1333 |
| 52055489 | 30/980 | 52069163* | 30/2465 | 52096802 | 30/1334 |
| 52055489 | 30/980 | 52070285* | 30/1933 | 52096803 | 30/1331 |
| 52055489* | 30/7078 | 52070294* | 30/1932 | 52096804 | 30/1332 |
| 52055489* | 30/1617 | 52070470 | 30/2193 | 52115510 | 30/1331 |
| 52055489* | 30/7078 | 52070472 | 30/2193 | 52115511 | 30/1332 |
| 52055489* | 30/1617 | 52070473 | 30/2193 | 52115512 | 30/1335 |
| 52060643 | 30/1479 | 52070479 | 30/2192 | 52115513 | 30/1336 |
| 52060643* | 30/1483 | 52070481 | 30/2192 | 52127979* | 30/2462 |
| 52060644 | 30/1480 | 52070483 | 30/2192 | 52127981* | 30/2463 |
| 52060644* | 30/1484 | 52072856* | 30/2462 | 52130435* | 30/2462 |

TAVOLE DI COMPARAZIONE / CROSS REFERENCE GUIDE

Alzacristalli / Window



| Rif. adattabilità Compatible OEM ref. | Ns. rif. Our Ref. | Rif. adattabilità Compatible OEM ref. | Ns. rif. Our Ref. | Rif. adattabilità Compatible OEM ref. | Ns. rif. Our Ref. |
|--|----------------------|--|----------------------|--|----------------------|
| 52130436* | 30/2463 | 52220485* | 30/1917 | 53183596 | 30/986 |
| 52134008* | 30/1226 | 52231014* | 30/1226 | 53183596 | 30/986 |
| 52134008* | 30/1226 | 52231014* | 30/1226 | 53183596* | 30/7043 |
| 52134008* | 30/1226 | 52231014* | 30/1226 | 53183596* | 30/1551B |
| 52134009* | 30/1227 | 52231016* | 30/1227 | 53183596* | 30/1229 |
| 52134009* | 30/1227 | 52231016* | 30/1227 | 53183596* | 30/7043 |
| 52134009* | 30/1227 | 52231016* | 30/1227 | 53183596* | 30/1551B |
| 52148371 | 30/278 | 5241985* | 30/2952 | 53183596* | 30/1229 |
| 52148371 | 30/278 | 5262645* | 30/2952 | 53183596* | 30/7043 |
| 52148371 | 30/278 | 5264012* | 30/2949 | 53183596* | 30/1551B |
| 52148372* | 30/1226 | 5264014* | 30/2950 | 53183596* | 30/1229 |
| 52148372* | 30/1226 | 5270491* | 30/2951 | 5333422 | 30/7334 |
| 52148372* | 30/1226 | 5270493* | 30/2952 | 5341351 | 30/2948 |
| 52148373 | 30/278B | 5291164 | 30/2948 | 5341351* | 30/2888 |
| 52148373 | 30/278B | 5291164* | 30/2888 | 5341360 | 30/2947 |
| 52148373 | 30/278B | 5291165 | 30/2947 | 5341360* | 30/2887 |
| 52148374* | 30/1227 | 5291165* | 30/2887 | 55000660 | 30/7146 |
| 52148374* | 30/1227 | 53183595 | 30/985 | 55000661 | 30/7145 |
| 52148374* | 30/1227 | 53183595 | 30/985 | 55018441 | 30/7145 |
| 52204607 | 30/3121 | 53183595 | 30/985 | 55034115 | 30/7145 |
| 52204607 | 30/3121 | 53183595* | 30/7044 | 55076466AB | 30/1152 |
| 52204608 | 30/3120 | 53183595* | 30/1550B | 55076467AB | 30/1153 |
| 52204608 | 30/3120 | 53183595* | 30/1228 | 55076468 | 30/1154 |
| 52220483 | 30/3133 | 53183595* | 30/7044 | 55076469 | 30/1155 |
| 52220483 | 30/3133 | 53183595* | 30/1550B | 55154516 | 30/7146 |
| 52220483* | 30/7072 | 53183595* | 30/1228 | 55154517 | 30/7145 |
| 52220483* | 30/1916 | 53183595* | 30/7044 | 55154628 | 30/7146 |
| 52220483* | 30/7072 | 53183595* | 30/1550B | 55154722 | 30/7146 |
| 52220483* | 30/1916 | 53183595* | 30/1228 | 55154723 | 30/7145 |
| 52220485* | 30/1917 | 53183596 | 30/986 | 55154794 | 30/7146 |

TAVOLE DI COMPARAZIONE / CROSS REFERENCE GUIDE

Alzacristalli / Window



| Rif. adattabilità Compatible OEM ref. | Ns. rif. Our Ref. | Rif. adattabilità Compatible OEM ref. | Ns. rif. Our Ref. | Rif. adattabilità Compatible OEM ref. | Ns. rif. Our Ref. |
|--|----------------------|--|----------------------|--|----------------------|
| 55154795 | 30/7145 | 55360034AE | 30/7150 | 565839462A | 30/2709 |
| 55235208 | 30/7146 | 55360034AE | 30/7154 | 5713A017 | 30/7209 |
| 55360030AH | 30/7148 | 55360034AF | 30/7150 | 5713A018 | 30/7210 |
| 55360030AH | 30/7152 | 55360034AF | 30/7154 | 5713A019 | 30/7209 |
| 55360030AJ | 30/7148 | 55360035AA | 30/7149 | 5713A087 | 30/2912 |
| 55360030AJ | 30/7152 | 55360035AA | 30/7153 | 5713A087 | 30/2912 |
| 55360030AK | 30/7148 | 55360035AB | 30/7153 | 5713A087 | 30/2912 |
| 55360030AK | 30/7152 | 55360035AC | 30/7153 | 5713A255 | 30/3042 |
| 55360030AL | 30/7148 | 55360035AD | 30/7149 | 5713A255* | 30/3034 |
| 55360030AL | 30/7152 | 55360035AD | 30/7153 | 5713A256 | 30/3041 |
| 55360030AM | 30/7148 | 55360035AF | 30/7149 | 5713A256* | 30/3033 |
| 55360030AM | 30/7152 | 55360035AF | 30/7153 | 5713A354 | 30/2911 |
| 55360031AH | 30/7147 | 55360036AE | 30/7149 | 5713A354 | 30/2911 |
| 55360031AH | 30/7151 | 55360036AE | 30/7153 | 5713A354 | 30/2911 |
| 55360031AJ | 30/7147 | 55360036AF | 30/7153 | 5743A049 | 30/2920 |
| 55360031AJ | 30/7151 | 55363284AA | 30/1158 | 5743A049 | 30/2919 |
| 55360031AK | 30/7147 | 55363284AB | 30/1158 | 5743A049 | 30/2920 |
| 55360031AK | 30/7151 | 55363284AC | 30/1158 | 5743A049 | 30/2919 |
| 55360031AL | 30/7147 | 55363284AD | 30/1158 | 5743A089* | 30/2732 |
| 55360031AL | 30/7151 | 55363284AE | 30/1158 | 5743A090* | 30/2731 |
| 55360031AM | 30/7147 | 55363285AB | 30/1159 | 5743A177* | 30/3064 |
| 55360031AM | 30/7151 | 55363285AC | 30/1159 | 5743A178* | 30/3063 |
| 55360034AA | 30/7154 | 55363285AD | 30/1159 | 575837461 | 30/2914 |
| 55360034AB | 30/7149 | 55363285AE | 30/1159 | 575837461 | 30/2914 |
| 55360034AB | 30/7150 | 565837461 | 30/2708 | 575837461A | 30/2914 |
| 55360034AB | 30/7154 | 565837462 | 30/2707 | 575837461A | 30/2914 |
| 55360034AC | 30/7150 | 565837462A | 30/2707 | 575837462 | 30/2913 |
| 55360034AC | 30/7154 | 565839461 | 30/2710 | 575837462 | 30/2913 |
| 55360034AD | 30/7150 | 565839461A | 30/2710 | 575837462A | 30/2913 |
| 55360034AD | 30/7154 | 565839462 | 30/2709 | 575837462A | 30/2913 |

TAVOLE DI COMPARAZIONE / CROSS REFERENCE GUIDE

Alzacristalli / Window



| Rif. adattabilità Compatible OEM ref. | Ns. rif. Our Ref. | Rif. adattabilità Compatible OEM ref. | Ns. rif. Our Ref. | Rif. adattabilità Compatible OEM ref. | Ns. rif. Our Ref. |
|--|----------------------|--|----------------------|--|----------------------|
| 575839461 | 30/2686 | 5801901052* | 30/1792 | 5F4837462B | 30/1896 |
| 575839461 | 30/2686 | 5801901052* | 30/1792 | 5F4837462C | 30/1896 |
| 575839461A | 30/2686 | 5801901052* | 30/1792 | 5F4839461A | 30/1899 |
| 575839461A | 30/2686 | 5801901052* | 30/1792 | 5F4839462A | 30/1898 |
| 575839462 | 30/2685 | 5801901053* | 30/1793 | 5G4837461E | 30/1887 |
| 575839462 | 30/2685 | 5801901053* | 30/1793 | 5G4837461F | 30/1887 |
| 575839462A | 30/2685 | 5801901053* | 30/1793 | 5G4837461G | 30/1887 |
| 575839462A | 30/2685 | 5801901053* | 30/1793 | 5G4837461H | 30/1887 |
| 5801321873 | 30/748 | 5802487606 | 30/3072 | 5G4837462G | 30/1886 |
| 5801321873 | 30/748 | 5802487660 | 30/3071 | 5G4837462H | 30/1886 |
| 5801324893 | 30/749 | 5802578842 | 30/2924 | 5G4839461B | 30/1889 |
| 5801324893 | 30/749 | 5802578844 | 30/2923 | 5G4839461C | 30/1889 |
| 5801324907 | 30/748 | 5956510 | 30/871 | 5G4839462B | 30/1888 |
| 5801324907 | 30/748 | 5956510 | 30/871 | 5G4839462C | 30/1888 |
| 5801482026 | 30/3015 | 5956511 | 30/872 | 5J4837461 | 30/2231 |
| 5801482026 | 30/3015 | 5956511 | 30/872 | 5J4837461* | 30/1533 |
| 5801482026 | 30/3015 | 5994090 | 30/167 | 5J4837462 | 30/2230 |
| 5801482026 | 30/3015 | 5994091 | 30/167B | 5J4837462* | 30/1532 |
| 5801482033 | 30/3016 | 5E0837461 | 30/2147 | 5J7837461 | 30/2239 |
| 5801482033 | 30/3016 | 5E0837461A | 30/2147 | 5J7837461 | 30/2872 |
| 5801482033 | 30/3016 | 5E0837461B | 30/2147 | 5J7837461* | 30/1535 |
| 5801482033 | 30/3016 | 5E0837461C | 30/2147 | 5J7837462 | 30/2238 |
| 5801528511* | 30/1792 | 5E0837462 | 30/2146 | 5J7837462 | 30/2871 |
| 5801528511* | 30/1792 | 5E0837462A | 30/2146 | 5J7837462* | 30/1534 |
| 5801528511* | 30/1792 | 5E0837462B | 30/2146 | 5J7839461 | 30/2874 |
| 5801528511* | 30/1792 | 5E0837462C | 30/2146 | 5J7839461* | 30/2574 |
| 5801529324* | 30/1793 | 5E0839461 | 30/2149 | 5J7839462 | 30/2873 |
| 5801529324* | 30/1793 | 5E0839462 | 30/2148 | 5J7839462* | 30/2573 |
| 5801529324* | 30/1793 | 5F4837461B | 30/1897 | 5JA837461 | 30/2598 |
| 5801529324* | 30/1793 | 5F4837461C | 30/1897 | 5JA837461 | 30/2598 |

TAVOLE DI COMPARAZIONE / CROSS REFERENCE GUIDE

Alzacristalli / Window



| Rif. adattabilità Compatible OEM ref. | Ns. rif. Our Ref. | Rif. adattabilità Compatible OEM ref. | Ns. rif. Our Ref. | Rif. adattabilità Compatible OEM ref. | Ns. rif. Our Ref. |
|--|----------------------|--|----------------------|--|----------------------|
| 5JA837461A | 30/2598 | 5N0839462* | 30/7414 | 5Z0959802* | 30/1518 |
| 5JA837461A | 30/2598 | 5N0839462A* | 30/7414 | 5Z0959802B* | 30/1518 |
| 5JA837462 | 30/2597 | 5NA837461* | 30/2638 | 5Z3837461 | 30/1895 |
| 5JA837462 | 30/2597 | 5NA837461* | 30/2638 | 5Z3837461* | 30/1519 |
| 5JA837462A | 30/2597 | 5NA837461A* | 30/2638 | 5Z3837461A | 30/1895 |
| 5JA837462A | 30/2597 | 5NA837461A* | 30/2638 | 5Z3837461A* | 30/1519 |
| 5JA839461 | 30/2600 | 5NA837462* | 30/2637 | 5Z3837462 | 30/1894 |
| 5JA839461 | 30/2600 | 5NA837462* | 30/2637 | 5Z3837462* | 30/1518 |
| 5JA839462 | 30/2599 | 5NA837462A* | 30/2637 | 5Z3837462A | 30/1894 |
| 5JA839462 | 30/2599 | 5NA837462A* | 30/2637 | 5Z3837462A* | 30/1518 |
| 5K0837461B | 30/3038 | 5NA839461B* | 30/2640 | 6000617946* | 30/2156 |
| 5K0837461D | 30/3038 | 5NA839461C* | 30/2640 | 6000617946* | 30/2156 |
| 5K0837462B | 30/3037 | 5NA839462B* | 30/2639 | 6000617946* | 30/2156 |
| 5K0837462D | 30/3037 | 5NA839462C* | 30/2639 | 6000617946* | 30/2156 |
| 5K4839461 | 30/3046 | 5P0837461 | 30/1321 | 6000617948* | 30/2157 |
| 5K4839462 | 30/3045 | 5P0837462 | 30/1320 | 6000617948* | 30/2157 |
| 5L0837461* | 30/1737 | 5P0839461A | 30/1323 | 6000617948* | 30/2157 |
| 5L0837462* | 30/1736 | 5P0839462A | 30/1322 | 6000617948* | 30/2157 |
| 5L0839461A* | 30/1739 | 5TA837461* | 30/2636 | 6000626596* | 30/2669 |
| 5L0839462A* | 30/1738 | 5TA837461A* | 30/2636 | 6000626597* | 30/2670 |
| 5M0837461* | 30/1847 | 5TA837462* | 30/2635 | 6000626609* | 30/2665 |
| 5M0837462* | 30/1846 | 5TA837462A* | 30/2635 | 6000626610* | 30/2666 |
| 5M0839461* | 30/2622 | 5TA839461 | 30/2674 | 6001547149 | 30/1350 |
| 5M0839462* | 30/2621 | 5TA839461A | 30/2674 | 6001547149* | 30/1346 |
| 5N0837461 | 30/2257 | 5TA839461B | 30/2674 | 6001547150 | 30/1349 |
| 5N0837461* | 30/1755 | 5TA839462 | 30/2673 | 6001547150* | 30/1345 |
| 5N0837462 | 30/2256 | 5TA839462A | 30/2673 | 6001547153 | 30/1348 |
| 5N0837462* | 30/1754 | 5TA839462B | 30/2673 | 6001547154 | 30/1347 |
| 5N0839461* | 30/7413 | 5Z0959801* | 30/1519 | 6001550233 | 30/1348 |
| 5N0839461A* | 30/7413 | 5Z0959801B* | 30/1519 | 6001550234 | 30/1347 |

TAVOLE DI COMPARAZIONE / CROSS REFERENCE GUIDE

Alzacristalli / Window



| Rif. adattabilità Compatible OEM ref. | Ns. rif. Our Ref. | Rif. adattabilità Compatible OEM ref. | Ns. rif. Our Ref. | Rif. adattabilità Compatible OEM ref. | Ns. rif. Our Ref. |
|--|----------------------|--|----------------------|--|----------------------|
| 6001550253 | 30/1350 | 60547157* | 30/504 | 60650548 | 30/217B |
| 6001550254 | 30/1349 | 60547158* | 30/505 | 60663833 | 30/1552 |
| 600633400L* | 30/3050 | 60549184* | 30/504 | 60663834 | 30/1553 |
| 600637700L* | 30/3049 | 60549185* | 30/505 | 60668170 | 30/217 |
| 600655100G* | 30/3048 | 60573516 | 30/500 | 60668171 | 30/217B |
| 600655100L* | 30/3048 | 60573687 | 30/501 | 60671194 | 30/819 |
| 600665100G* | 30/3047 | 60575338 | 30/755 | 60671195 | 30/820 |
| 600665100L* | 30/3047 | 60575339 | 30/756 | 60671578 | 30/787 |
| 6025171024 | 30/7303 | 60590278* | 30/506 | 60671579 | 30/788 |
| 6025171025 | 30/7302 | 60607210 | 30/771 | 60671580 | 30/7162 |
| 6025300810 | 30/7307 | 60607211 | 30/772 | 60672257 | 30/1553 |
| 6025300811 | 30/7306 | 60608514 | 30/771 | 60672258 | 30/1552 |
| 6025300975 | 30/7304 | 60608515 | 30/772 | 60672259 | 30/7005 |
| 6025300976 | 30/7305 | 60609533 | 30/1552 | 60672260 | 30/7006 |
| 60486940* | 30/7262 | 60609534 | 30/1553 | 60672271 | 30/819 |
| 60505260 | 30/500 | 60609652 | 30/755 | 60672272 | 30/820 |
| 60505563 | 30/500 | 60609653 | 30/756 | 60672273 | 30/953 |
| 60505566 | 30/501 | 60609672 | 30/761 | 60672274 | 30/954 |
| 60505569 | 30/501 | 60609672 | 30/761 | 60672275 | 30/217 |
| 60505918 | 30/761 | 60609672 | 30/761 | 60672276 | 30/217B |
| 60505918 | 30/761 | 60609673 | 30/762 | 60672277 | 30/819 |
| 60505918 | 30/761 | 60609673 | 30/762 | 60672278 | 30/820 |
| 60505919 | 30/762 | 60609673 | 30/762 | 60695863 | 30/217 |
| 60505919 | 30/762 | 60613416 | 30/7006 | 60695864 | 30/953 |
| 60505919 | 30/762 | 60613417 | 30/7005 | 60695867 | 30/217B |
| 60509527 | 30/502 | 60650543 | 30/819 | 60695868 | 30/954 |
| 60509528 | 30/503 | 60650544 | 30/820 | 60703234 | 30/500 |
| 60527552 | 30/502 | 60650545 | 30/953 | 60703235 | 30/501 |
| 60527555 | 30/503 | 60650546 | 30/954 | 61041AJ000 | 30/7352 |
| 60547157* | 30/506 | 60650547 | 30/217 | 61041AJ00A | 30/7352 |

TAVOLE DI COMPARAZIONE / CROSS REFERENCE GUIDE

Alzacristalli / Window



| Rif. adattabilità Compatible OEM ref. | Ns. rif. Our Ref. | Rif. adattabilità Compatible OEM ref. | Ns. rif. Our Ref. | Rif. adattabilità Compatible OEM ref. | Ns. rif. Our Ref. |
|--|----------------------|--|----------------------|--|----------------------|
| 61041AJ01B | 30/7351 | 6207070 | 30/2382 | 63112FC110* | 30/7347 |
| 61041AJ03B | 30/7351 | 6207071 | 30/2383 | 63112FC111* | 30/7347 |
| 61041AJ101 | 30/7352 | 6207072 | 30/2382 | 63113FC000* | 30/7348 |
| 61041AJ131 | 30/7351 | 6207084 | 30/2383 | 63113FC010* | 30/7347 |
| 61041AJ200 | 30/7352 | 6207085 | 30/2382 | 63113FC100* | 30/7348 |
| 61042AJ000 | 30/7356 | 6207088 | 30/2381 | 63113FC110* | 30/7347 |
| 61042AJ001 | 30/7356 | 6207089 | 30/2380 | 6387200246 | 30/233B |
| 61042AJ010 | 30/7355 | 6207116* | 30/1694 | 6387200346 | 30/233 |
| 61042AJ011 | 30/7355 | 6207117* | 30/1695 | 660212* | 30/7288 |
| 61042AJ200 | 30/7356 | 6207120 | 30/2380 | 660212* | 30/7290 |
| 61042AJ201 | 30/7356 | 6207120* | 30/1993C | 660213* | 30/7035 |
| 61042AJ210 | 30/7355 | 6207121 | 30/2381 | 660213* | 30/7287 |
| 61042AJ211 | 30/7355 | 6207140 | 30/1423 | 660213* | 30/7289 |
| 61188SA001* | 30/2343 | 6207140* | 30/1694 | 660215* | 30/7036 |
| 61188SA011* | 30/2344 | 6207141 | 30/1424 | 660223* | 30/7035 |
| 61222SA000* | 30/2343 | 6207141* | 30/1695 | 660223* | 30/7287 |
| 61222SA001* | 30/2343 | 62188SA000* | 30/2345 | 660223* | 30/7289 |
| 61222SA002* | 30/2343 | 62188SA001* | 30/2345 | 660224* | 30/7288 |
| 61222SA010* | 30/2344 | 62188SA002* | 30/2345 | 660224* | 30/7290 |
| 61222SA011* | 30/2344 | 62188SA010* | 30/2346 | 660235* | 30/7036 |
| 61222SA012* | 30/2344 | 62188SA011* | 30/2346 | 6760331 | 30/7080 |
| 6189649 | 30/781 | 62188SA012* | 30/2346 | 67626955875 | 30/1575 |
| 6189650 | 30/781 | 62222SA000* | 30/2345 | 67626955875 | 30/1181 |
| 6189652 | 30/782 | 62222SA001* | 30/2345 | 67626955876 | 30/1574 |
| 6207018* | 30/1688 | 62222SA010* | 30/2346 | 67626955876 | 30/1180 |
| 6207018* | 30/7274 | 62222SA011* | 30/2346 | 67627285855* | 30/1531 |
| 6207021* | 30/1689 | 63112FC000* | 30/7348 | 67627285856* | 30/1530 |
| 6207021* | 30/1992C | 63112FC010* | 30/7347 | 67627354889 | 30/2063 |
| 6207021* | 30/7273 | 63112FC100* | 30/7348 | 67627354889 | 30/2062 |
| 6207069 | 30/2383 | 63112FC101* | 30/7348 | 67627354889 | 30/2059 |

TAVOLE DI COMPARAZIONE / CROSS REFERENCE GUIDE

Alzacristalli / Window



| Rif. adattabilità Compatible OEM ref. | Ns. rif. Our Ref. | Rif. adattabilità Compatible OEM ref. | Ns. rif. Our Ref. | Rif. adattabilità Compatible OEM ref. | Ns. rif. Our Ref. |
|--|----------------------|--|----------------------|--|----------------------|
| 67627354889 | 30/2058 | 67628362064* | 30/1312 | 68159238AB* | 30/7044 |
| 67627354889 | 30/2059 | 67628362064* | 30/7022 | 68159238AB* | 30/1550B |
| 67627354889 | 30/2058 | 67628362064* | 30/7026 | 68159238AB* | 30/1228 |
| 67627354889 | 30/2063 | 67628362065* | 30/1314 | 68159238AB* | 30/7044 |
| 67627354889 | 30/2062 | 67628362066* | 30/1315 | 68159238AB* | 30/1550B |
| 67627354890 | 30/2063 | 67628377789* | 30/1314 | 68159238AB* | 30/1228 |
| 67627354890 | 30/2062 | 67628377790* | 30/1315 | 68159238AB* | 30/7044 |
| 67627354890 | 30/2059 | 67628381019* | 30/1573 | 68159238AB* | 30/1550B |
| 67627354890 | 30/2058 | 67628381020* | 30/1572 | 68159238AB* | 30/1228 |
| 67627354890 | 30/2059 | 67628381021* | 30/1313 | 68159239AB | 30/986 |
| 67627354890 | 30/2058 | 67628381021* | 30/7021 | 68159239AB | 30/986 |
| 67627354890 | 30/2063 | 67628381021* | 30/7025 | 68159239AB | 30/986 |
| 67627354890 | 30/2062 | 67628381022* | 30/1312 | 68159239AB* | 30/7043 |
| 67627405701 | 30/2059 | 67628381022* | 30/7022 | 68159239AB* | 30/1551B |
| 67627405701 | 30/2059 | 67628381022* | 30/7026 | 68159239AB* | 30/1229 |
| 67627405701* | 30/2702 | 68002888AA | 30/2130 | 68159239AB* | 30/7043 |
| 67627405702 | 30/2058 | 68002889AA | 30/2131 | 68159239AB* | 30/1551B |
| 67627405702 | 30/2058 | 68002890AA* | 30/2018 | 68159239AB* | 30/1229 |
| 67627405702* | 30/2701 | 68002891AA* | 30/2019 | 68159239AB* | 30/7043 |
| 67627406623* | 30/1531 | 68002896AA | 30/2128 | 68159239AB* | 30/1551B |
| 67627406624* | 30/1530 | 68002897AA | 30/2129 | 68159239AB* | 30/1229 |
| 67627410753 | 30/2061 | 68037296AA | 30/1148 | 6819984 | 30/7080 |
| 67627410754 | 30/2060 | 68037297AA | 30/1149 | 6819986 | 30/7079 |
| 67628359373* | 30/7024 | 68059644AA | 30/7148 | 68267289AA | 30/985 |
| 67628359374* | 30/7023 | 68059644AA | 30/7152 | 68267289AA | 30/985 |
| 67628360977* | 30/7019 | 68059645AA | 30/7147 | 68267289AA | 30/985 |
| 67628360978* | 30/7020 | 68059645AA | 30/7151 | 68267289AA* | 30/7044 |
| 67628362063* | 30/1313 | 68159238AB | 30/985 | 68267289AA* | 30/1550B |
| 67628362063* | 30/7021 | 68159238AB | 30/985 | 68267289AA* | 30/1228 |
| 67628362063* | 30/7025 | 68159238AB | 30/985 | 68267289AA* | 30/7044 |

TAVOLE DI COMPARAZIONE / CROSS REFERENCE GUIDE

Alzacristalli / Window



| Rif. adattabilità Compatible OEM ref. | Ns. rif. Our Ref. | Rif. adattabilità Compatible OEM ref. | Ns. rif. Our Ref. | Rif. adattabilità Compatible OEM ref. | Ns. rif. Our Ref. |
|--|----------------------|--|----------------------|--|----------------------|
| 68267289AA* | 30/1550B | 68267290AB | 30/986 | 6980152080 | 30/2172 |
| 68267289AA* | 30/1228 | 68267290AB | 30/986 | 6980152080* | 30/2174 |
| 68267289AA* | 30/7044 | 68267290AB* | 30/7043 | 6980152120 | 30/2136 |
| 68267289AA* | 30/1550B | 68267290AB* | 30/1551B | 6980152120* | 30/2989 |
| 68267289AA* | 30/1228 | 68267290AB* | 30/1229 | 6980187401* | 30/1598 |
| 68267289AB | 30/985 | 68267290AB* | 30/7043 | 6980189113 | 30/7386 |
| 68267289AB | 30/985 | 68267290AB* | 30/1551B | 6980189113 | 30/7386 |
| 68267289AB | 30/985 | 68267290AB* | 30/1229 | 6980212170* | 30/7375 |
| 68267289AB* | 30/7044 | 68267290AB* | 30/7043 | 6980213020 | 30/2700 |
| 68267289AB* | 30/1550B | 68267290AB* | 30/1551B | 6980220230 | 30/1545 |
| 68267289AB* | 30/1228 | 68267290AB* | 30/1229 | 6980230280 | 30/2768 |
| 68267289AB* | 30/7044 | 6902717 | 30/805 | 6980230280* | 30/2774 |
| 68267289AB* | 30/1550B | 6902718 | 30/806 | 6980235010 | 30/7385 |
| 68267289AB* | 30/1228 | 6905096* | 30/7087 | 6980235010 | 30/7385 |
| 68267289AB* | 30/7044 | 6905098* | 30/7086 | 6980235110 | 30/7391 |
| 68267289AB* | 30/1550B | 6980112170* | 30/7376 | 6980242040 | 30/2768 |
| 68267289AB* | 30/1228 | 6980113020 | 30/2699 | 6980242040* | 30/2774 |
| 68267290AA | 30/986 | 6980120210 | 30/1544 | 6980242060 | 30/1835 |
| 68267290AA | 30/986 | 6980130280 | 30/2767 | 6980242060* | 30/1747 |
| 68267290AA | 30/986 | 6980130280* | 30/2773 | 6980252010* | 30/1509 |
| 68267290AA* | 30/7043 | 6980135010 | 30/7386 | 6980252020* | 30/1743 |
| 68267290AA* | 30/1551B | 6980135010 | 30/7386 | 6980252070 | 30/3036 |
| 68267290AA* | 30/1229 | 6980135110 | 30/7392 | 6980252080 | 30/2173 |
| 68267290AA* | 30/7043 | 6980142040 | 30/2767 | 6980252080* | 30/2175 |
| 68267290AA* | 30/1551B | 6980142040* | 30/2773 | 6980252110 | 30/2137 |
| 68267290AA* | 30/1229 | 6980142060 | 30/1834 | 6980252110* | 30/2990 |
| 68267290AA* | 30/7043 | 6980142060* | 30/1746 | 6980274012* | 30/1751 |
| 68267290AA* | 30/1551B | 6980152010* | 30/1508 | 6980287401* | 30/1599 |
| 68267290AA* | 30/1229 | 6980152020* | 30/1742 | 6980289111 | 30/7385 |
| 68267290AB | 30/986 | 6980152070 | 30/3035 | 6980289111 | 30/7385 |

TAVOLE DI COMPARAZIONE / CROSS REFERENCE GUIDE

Alzacristalli / Window



| Rif. adattabilità Compatible OEM ref. | Ns. rif. Our Ref. | Rif. adattabilità Compatible OEM ref. | Ns. rif. Our Ref. | Rif. adattabilità Compatible OEM ref. | Ns. rif. Our Ref. |
|--|----------------------|--|----------------------|--|----------------------|
| 6980342020 | 30/1952 | 698100H020 | 30/1355 | 698100H100 | 30/2799 |
| 6980342020* | 30/7390 | 698100H020 | 30/2795 | 698100H100 | 30/2799 |
| 6980342050 | 30/2775 | 698100H020* | 30/1373 | 698100H120 | 30/2797 |
| 6980342050* | 30/2783 | 698100H020* | 30/1373 | 698100H120 | 30/2337 |
| 6980352010* | 30/7394 | 698100H020* | 30/1373 | 698100H120 | 30/2797 |
| 6980442020 | 30/1953 | 698100H030 | 30/2797 | 698100H120 | 30/2337 |
| 6980442020* | 30/7389 | 698100H030 | 30/2337 | 698100H120 | 30/2797 |
| 6980442050 | 30/2776 | 698100H030 | 30/2797 | 698100H120 | 30/2337 |
| 6980442050* | 30/2784 | 698100H030 | 30/2337 | 698100H120* | 30/2262 |
| 6980452010* | 30/7393 | 698100H030 | 30/2797 | 698100H120* | 30/2262 |
| 6981002130* | 30/1880 | 698100H030 | 30/2337 | 698100H120* | 30/2262 |
| 6981002320* | 30/2014 | 698100H030* | 30/2262 | 698100H130 | 30/268 |
| 6981005010 | 30/1544 | 698100H030* | 30/2262 | 698100H130 | 30/268 |
| 6981005030 | 30/1379 | 698100H030* | 30/2262 | 698100H130 | 30/268 |
| 6981005031 | 30/1379 | 698100H031 | 30/2797 | 698100K040 | 30/7382 |
| 6981005040* | 30/1377 | 698100H031 | 30/2337 | 698100K041 | 30/7382 |
| 6981005041* | 30/1377 | 698100H031 | 30/2797 | 6981012390 | 30/7378 |
| 6981005050* | 30/1748 | 698100H031 | 30/2337 | 6981020270 | 30/1544 |
| 6981005070* | 30/1832 | 698100H031 | 30/2797 | 6981020280 | 30/1544 |
| 6981005071* | 30/1832 | 698100H031 | 30/2337 | 6981042010 | 30/7388 |
| 698100D010 | 30/1744 | 698100H031* | 30/2262 | 6981042012 | 30/7388 |
| 698100D290* | 30/2096 | 698100H031* | 30/2262 | 6981042013 | 30/7388 |
| 698100D300 | 30/2349 | 698100H031* | 30/2262 | 6981042040 | 30/7380 |
| 698100D430* | 30/2096 | 698100H041 | 30/268 | 6981042041 | 30/7380 |
| 698100F020* | 30/2138 | 698100H041 | 30/268 | 6981052040* | 30/1742 |
| 698100F021* | 30/2138 | 698100H041 | 30/268 | 6981074020* | 30/1750 |
| 698100H020 | 30/1355 | 698100H081 | 30/269 | 6981074021* | 30/1750 |
| 698100H020 | 30/2795 | 698100H081 | 30/269 | 6981074022* | 30/1750 |
| 698100H020 | 30/1355 | 698100H081 | 30/269 | 6981087606000* | 30/2162 |
| 698100H020 | 30/2795 | 698100H100 | 30/2799 | 6981087606000* | 30/2162 |

TAVOLE DI COMPARAZIONE / CROSS REFERENCE GUIDE

Alzacristalli / Window



| Rif. adattabilità Compatible OEM ref. | Ns. rif. Our Ref. | Rif. adattabilità Compatible OEM ref. | Ns. rif. Our Ref. | Rif. adattabilità Compatible OEM ref. | Ns. rif. Our Ref. |
|--|----------------------|--|----------------------|--|----------------------|
| 6981087Z01 | 30/215 | 698200H030 | 30/2338 | 698200H110 | 30/2338 |
| 69810F4010* | 30/2763 | 698200H030 | 30/2798 | 698200H110 | 30/2798 |
| 6982002130* | 30/1881 | 698200H030 | 30/2338 | 698200H110 | 30/2338 |
| 6982002330* | 30/2015 | 698200H030* | 30/2263 | 698200H110* | 30/2263 |
| 6982005010 | 30/1545 | 698200H030* | 30/2263 | 698200H110* | 30/2263 |
| 6982005030 | 30/1380 | 698200H030* | 30/2263 | 698200H110* | 30/2263 |
| 6982005031 | 30/1380 | 698200H031 | 30/2798 | 698200K010 | 30/7381 |
| 6982005040* | 30/1378 | 698200H031 | 30/2338 | 698200K011 | 30/7381 |
| 6982005041* | 30/1378 | 698200H031 | 30/2798 | 6982012390 | 30/7377 |
| 6982005050* | 30/1749 | 698200H031 | 30/2338 | 6982020290 | 30/1545 |
| 6982005070* | 30/1833 | 698200H031 | 30/2798 | 6982020300 | 30/1545 |
| 6982005071* | 30/1833 | 698200H031 | 30/2338 | 6982042010 | 30/7387 |
| 698200D010 | 30/1745 | 698200H031* | 30/2263 | 6982042012 | 30/7387 |
| 698200D300 | 30/2350 | 698200H031* | 30/2263 | 6982042013 | 30/7387 |
| 698200D310* | 30/2097 | 698200H031* | 30/2263 | 6982042040 | 30/7379 |
| 698200D440* | 30/2097 | 698200H040 | 30/268B | 6982042041 | 30/7379 |
| 698200F020* | 30/2139 | 698200H040 | 30/268B | 6982052030* | 30/1743 |
| 698200F021* | 30/2139 | 698200H040 | 30/268B | 6982074010* | 30/1751 |
| 698200H020 | 30/1356 | 698200H041 | 30/268B | 6982074011* | 30/1751 |
| 698200H020 | 30/2796 | 698200H041 | 30/268B | 6982087606000* | 30/2163 |
| 698200H020 | 30/1356 | 698200H041 | 30/268B | 6982087606000* | 30/2163 |
| 698200H020 | 30/2796 | 698200H071 | 30/2800 | 6982087Z01 | 30/215B |
| 698200H020 | 30/1356 | 698200H071 | 30/2800 | 69820F4010* | 30/2764 |
| 698200H020 | 30/2796 | 698200H071 | 30/2800 | 6983002090* | 30/1882 |
| 698200H020* | 30/1374 | 698200H080 | 30/269B | 6983002120* | 30/1882 |
| 698200H020* | 30/1374 | 698200H080 | 30/269B | 6983005060 | 30/7372 |
| 698200H020* | 30/1374 | 698200H080 | 30/269B | 6983005070 | 30/7372 |
| 698200H030 | 30/2798 | 698200H110 | 30/2798 | 6983005080 | 30/7372 |
| 698200H030 | 30/2338 | 698200H110 | 30/2338 | 6983005100* | 30/1822 |
| 698200H030 | 30/2798 | 698200H110 | 30/2798 | 6983005130* | 30/1824 |

TAVOLE DI COMPARAZIONE / CROSS REFERENCE GUIDE

Alzacristalli / Window



| Rif. adattabilità Compatible OEM ref. | Ns. rif. Our Ref. | Rif. adattabilità Compatible OEM ref. | Ns. rif. Our Ref. | Rif. adattabilità Compatible OEM ref. | Ns. rif. Our Ref. |
|--|----------------------|--|----------------------|--|----------------------|
| 6983005131* | 30/1824 | 6E0837461* | 30/7337 | 6J4839462A | 30/1504 |
| 698300D220 | 30/2351 | 6E0837461B | 30/1117 | 6K3837401B | 30/808 |
| 698300K030 | 30/7384 | 6E0837461B | 30/1117 | 6K3837401E | 30/808C |
| 698300K031 | 30/7384 | 6E0837461B* | 30/7337 | 6K3837401G | 30/808C |
| 6983087401000 | 30/7066 | 6E0837461B* | 30/7337 | 6K3837401H | 30/808 |
| 69830F4010* | 30/2765 | 6E0837462 | 30/1116 | 6K3837402B | 30/807 |
| 6984002090* | 30/1883 | 6E0837462 | 30/1116 | 6K3837402E | 30/807C |
| 6984002120* | 30/1883 | 6E0837462* | 30/7338 | 6K3837402G | 30/807C |
| 6984005060 | 30/7371 | 6E0837462* | 30/7338 | 6K3837402H | 30/807 |
| 6984005070 | 30/7371 | 6E0837462B | 30/1116 | 6K3837461 | 30/808 |
| 6984005080 | 30/7371 | 6E0837462B | 30/1116 | 6k3837462 | 30/807 |
| 6984005100* | 30/1823 | 6E0837462B* | 30/7338 | 6K4837401AA | 30/822 |
| 6984005130* | 30/1825 | 6E0837462B* | 30/7338 | 6K4837401AA | 30/822 |
| 6984005131* | 30/1825 | 6F0837461 | 30/2634 | 6K4837401AA* | 30/2213 |
| 698400D220 | 30/2352 | 6F0837462 | 30/2633 | 6K4837401AA* | 30/2213 |
| 698400K030 | 30/7383 | 6F0839461A | 30/2650 | 6K4837401B | 30/822 |
| 698400K031 | 30/7383 | 6F0839461B | 30/2650 | 6K4837401B | 30/822 |
| 6984087401000 | 30/7065 | 6F0839462A | 30/2649 | 6K4837401C | 30/822 |
| 69840F4010* | 30/2766 | 6F9837461B | 30/2915 | 6K4837401C | 30/822 |
| 6991210 | 30/1019 | 6F9837461C | 30/2915 | 6K4837401C* | 30/2213 |
| 6991440 | 30/1020 | 6F9837462B | 30/2916 | 6K4837401C* | 30/2213 |
| 6C11V23200AD | 30/2805 | 6H0959801B* | 30/7338 | 6K4837401D | 30/822 |
| 6C11V23200AD | 30/1764 | 6H0959801B* | 30/7338 | 6K4837401D | 30/822 |
| 6C11V23200CB | 30/248 | 6H0959802A* | 30/7337 | 6K4837401D* | 30/2213 |
| 6C11V23201AD | 30/2806 | 6H0959802A* | 30/7337 | 6K4837401D* | 30/2213 |
| 6C11V23201AD | 30/1765 | 6J3837461 | 30/1507 | 6K4837401H* | 30/2213 |
| 6C11V23201CB | 30/248B | 6J3837462 | 30/1506 | 6K4837401H* | 30/2213 |
| 6E0837461 | 30/1117 | 6J4837461 | 30/1503 | 6K4837401J* | 30/822C |
| 6E0837461 | 30/1117 | 6J4837462 | 30/1502 | 6K4837401J* | 30/2213 |
| 6E0837461* | 30/7337 | 6J4839461A | 30/1505 | 6K4837401J* | 30/822C |

TAVOLE DI COMPARAZIONE / CROSS REFERENCE GUIDE

Alzacristalli / Window



| Rif. adattabilità Compatible OEM ref. | Ns. rif. Our Ref. | Rif. adattabilità Compatible OEM ref. | Ns. rif. Our Ref. | Rif. adattabilità Compatible OEM ref. | Ns. rif. Our Ref. |
|--|----------------------|--|----------------------|--|----------------------|
| 6K4837401J* | 30/2213 | 6K4837462 | 30/821 | 6L4837462 | 30/983 |
| 6K4837401P | 30/822 | 6K4837462* | 30/2212 | 6L4839755A | 30/2580 |
| 6K4837401P | 30/822 | 6K4837462* | 30/2212 | 6L4839755C | 30/2580 |
| 6K4837401S | 30/822 | 6K4839401B | 30/1741 | 6L4839755M | 30/2580 |
| 6K4837401S | 30/822 | 6K4839401B | 30/1741 | 6L4839756A | 30/2579 |
| 6K4837402AA* | 30/2212 | 6K4839401D | 30/1741 | 6L4839756C | 30/2579 |
| 6K4837402AA* | 30/2212 | 6K4839401D | 30/1741 | 6L4839756M | 30/2579 |
| 6K4837402B | 30/821 | 6K4839401G | 30/1741 | 6N3837461 | 30/1195 |
| 6K4837402B | 30/821 | 6K4839401G | 30/1741 | 6N3837461* | 30/824 |
| 6K4837402C | 30/821 | 6K4839401H | 30/1759 | 6N3837461A | 30/1195 |
| 6K4837402C | 30/821 | 6K4839401H | 30/1759 | 6N3837461A* | 30/824 |
| 6K4837402C* | 30/2212 | 6K4839402B | 30/1740 | 6N3837461C | 30/1195 |
| 6K4837402C* | 30/2212 | 6K4839402B | 30/1740 | 6N3837461C* | 30/824 |
| 6K4837402D | 30/821 | 6K4839402D | 30/1740 | 6N3837461D* | 30/824C |
| 6K4837402D | 30/821 | 6K4839402D | 30/1740 | 6N3837462 | 30/1194 |
| 6K4837402D* | 30/2212 | 6K4839402G | 30/1740 | 6N3837462* | 30/823 |
| 6K4837402D* | 30/2212 | 6K4839402G | 30/1740 | 6N3837462A | 30/1194 |
| 6K4837402H | 30/821 | 6K4839402H | 30/1758 | 6N3837462A* | 30/823 |
| 6K4837402H | 30/821 | 6K4839402H | 30/1758 | 6N3837462C | 30/1194 |
| 6K4837402H* | 30/2212 | 6K4959801C* | 30/822C | 6N3837462C* | 30/823 |
| 6K4837402H* | 30/2212 | 6K4959801C* | 30/822C | 6N3837462D* | 30/823C |
| 6K4837402J* | 30/821C | 6K4959801E* | 30/822C | 6N4837461 | 30/1197 |
| 6K4837402J* | 30/2212 | 6K4959801E* | 30/822C | 6N4837461* | 30/826 |
| 6K4837402J* | 30/821C | 6k4959802C* | 30/821C | 6N4837462 | 30/1196 |
| 6K4837402J* | 30/2212 | 6k4959802C* | 30/821C | 6N4837462* | 30/825 |
| 6K4837402P | 30/821 | 6K4959802E* | 30/821C | 6N4959801* | 30/823 |
| 6K4837402P | 30/821 | 6K4959802E* | 30/821C | 6N4959801* | 30/825 |
| 6K4837461* | 30/2213 | 6L3837461 | 30/982 | 6N4959801B* | 30/823 |
| 6K4837461* | 30/2213 | 6L3837462 | 30/981 | 6N4959801B* | 30/825 |
| 6K4837462 | 30/821 | 6L4837461 | 30/984 | 6N4959802* | 30/824 |

TAVOLE DI COMPARAZIONE / CROSS REFERENCE GUIDE

Alzacristalli / Window



| Rif. adattabilità Compatible OEM ref. | Ns. rif. Our Ref. | Rif. adattabilità Compatible OEM ref. | Ns. rif. Our Ref. | Rif. adattabilità Compatible OEM ref. | Ns. rif. Our Ref. |
|--|----------------------|--|----------------------|--|----------------------|
| 6N4959802* | 30/826 | 6Q4837462G* | 30/1140 | 6R4837461C | 30/1511 |
| 6N4959802B* | 30/824 | 6Q4837462J | 30/2252 | 6R4837461D | 30/1511 |
| 6N4959802B* | 30/826 | 6Q4837462J* | 30/1140 | 6R4837461G | 30/1511 |
| 6Q3837461* | 30/1139 | 6Q4839402H | 30/1758 | 6R4837461J | 30/1511 |
| 6Q3837461A* | 30/1139 | 6Q4839402H | 30/1758 | 6R4837461L | 30/1511 |
| 6Q3837461E* | 30/1139 | 6Q4839461 | 30/2255 | 6R4837461N | 30/1511 |
| 6Q3837461G* | 30/1139 | 6Q4839461* | 30/1340 | 6R4837462C | 30/1510 |
| 6Q3837461J* | 30/1139 | 6Q4839461B | 30/2255 | 6R4837462D | 30/1510 |
| 6Q3837462* | 30/1138 | 6Q4839461B* | 30/1340 | 6R4837462G | 30/1510 |
| 6Q3837462A* | 30/1138 | 6Q4839461E | 30/2255 | 6R4837462J | 30/1510 |
| 6Q3837462E* | 30/1138 | 6Q4839461E* | 30/1340 | 6R4837462L | 30/1510 |
| 6Q3837462G* | 30/1138 | 6Q4839462 | 30/2254 | 6R4837462N | 30/1510 |
| 6Q3837462J* | 30/1138 | 6Q4839462* | 30/1339 | 6R4839461C | 30/1513 |
| 6Q4837461 | 30/2253 | 6Q4839462B | 30/2254 | 6R4839461D | 30/1513 |
| 6Q4837461* | 30/1141 | 6Q4839462B* | 30/1339 | 6R4839461E | 30/1513 |
| 6Q4837461A | 30/2253 | 6Q4839462E | 30/2254 | 6R4839461G | 30/1513 |
| 6Q4837461A* | 30/1141 | 6Q4839462E* | 30/1339 | 6R4839462C | 30/1512 |
| 6Q4837461E | 30/2253 | 6R3837461 | 30/1515 | 6R4839462D | 30/1512 |
| 6Q4837461E* | 30/1141 | 6R3837461A | 30/1515 | 6R4839462E | 30/1512 |
| 6Q4837461G | 30/2253 | 6R3837461B | 30/1515 | 6R4839462G | 30/1512 |
| 6Q4837461G* | 30/1141 | 6R3837461C | 30/1515 | 6RU959801* | 30/1752 |
| 6Q4837461J | 30/2253 | 6R3837461E | 30/1515 | 6RU959801* | 30/1752 |
| 6Q4837461J* | 30/1141 | 6R3837461K | 30/1515 | 6RU959801* | 30/1752 |
| 6Q4837462 | 30/2252 | 6R3837461L | 30/1515 | 6RU959801000* | 30/1752 |
| 6Q4837462* | 30/1140 | 6R3837462 | 30/1514 | 6RU959801000* | 30/1752 |
| 6Q4837462A | 30/2252 | 6R3837462A | 30/1514 | 6RU959801000* | 30/1752 |
| 6Q4837462A* | 30/1140 | 6R3837462B | 30/1514 | 6RU959802* | 30/1753 |
| 6Q4837462E | 30/2252 | 6R3837462C | 30/1514 | 6RU959802* | 30/1753 |
| 6Q4837462E* | 30/1140 | 6R3837462E | 30/1514 | 6RU959802* | 30/1753 |
| 6Q4837462G | 30/2252 | 6R3837462L | 30/1514 | 6U0837401* | 30/2363 |

TAVOLE DI COMPARAZIONE / CROSS REFERENCE GUIDE

Alzacristalli / Window



| Rif. adattabilità Compatible OEM ref. | Ns. rif. Our Ref. | Rif. adattabilità Compatible OEM ref. | Ns. rif. Our Ref. | Rif. adattabilità Compatible OEM ref. | Ns. rif. Our Ref. |
|--|----------------------|--|----------------------|--|----------------------|
| 6U0837402* | 30/2362 | 6X0837462C* | 30/7338 | 701959801* | 30/1358 |
| 6V0837461B | 30/2612 | 6X0837462C* | 30/7338 | 701959802* | 30/1357 |
| 6V0837461C | 30/2612 | 6Y0837461 | 30/2229 | 7126708 | 30/779 |
| 6V0837462B | 30/2611 | 6Y0837461* | 30/1042 | 7126710 | 30/780 |
| 6V0837462C | 30/2611 | 6Y0837461A | 30/2229 | 7140466 | 30/2068 |
| 6V0839461 | 30/2614 | 6Y0837461A* | 30/1042 | 7140467 | 30/2069 |
| 6V0839461A | 30/2614 | 6Y0837462 | 30/2228 | 7144645* | 30/877 |
| 6V0839462 | 30/2613 | 6Y0837462* | 30/1041 | 7144647* | 30/878 |
| 6X0837461A | 30/1117 | 6Y0837462A | 30/2228 | 7144649* | 30/7087 |
| 6X0837461A | 30/1117 | 6Y0837462A* | 30/1041 | 7144651* | 30/7086 |
| 6X0837461A* | 30/7337 | 6Y0839461 | 30/2233 | 71710175* | 30/7001 |
| 6X0837461A* | 30/7337 | 6Y0839461* | 30/1338 | 71710176* | 30/7001 |
| 6X0837461B | 30/1117 | 6Y0839461A | 30/2233 | 71712528 | 30/761 |
| 6X0837461B | 30/1117 | 6Y0839461A* | 30/1338 | 71712528 | 30/761 |
| 6X0837461B* | 30/7337 | 6Y0839462 | 30/2232 | 71712528 | 30/761 |
| 6X0837461B* | 30/7337 | 6Y0839462* | 30/1337 | 71712529 | 30/762 |
| 6X0837461C | 30/1117 | 6Y0839462A | 30/2232 | 71712529 | 30/762 |
| 6X0837461C | 30/1117 | 6Y0839462A* | 30/1337 | 71712529 | 30/762 |
| 6X0837461C* | 30/7337 | 6Y1837461 | 30/2229 | 71732828 | 30/3053 |
| 6X0837461C* | 30/7337 | 6Y1837461* | 30/1042 | 71732829 | 30/3054 |
| 6X0837462A | 30/1116 | 6Y1837462 | 30/2228 | 71732831 | 30/898 |
| 6X0837462A | 30/1116 | 6Y1837462* | 30/1041 | 71732835 | 30/897 |
| 6X0837462A* | 30/7338 | 6Y2837461 | 30/2229 | 71734843 | 30/876 |
| 6X0837462A* | 30/7338 | 6Y2837461* | 30/1042 | 71734843 | 30/2153 |
| 6X0837462B | 30/1116 | 6Y2837462 | 30/2228 | 71734843 | 30/876 |
| 6X0837462B | 30/1116 | 6Y2837462* | 30/1041 | 71734843 | 30/2153 |
| 6X0837462B* | 30/7338 | 701837461* | 30/1358 | 71734844 | 30/875 |
| 6X0837462B* | 30/7338 | 701837461A* | 30/1358 | 71734844 | 30/2152 |
| 6X0837462C | 30/1116 | 701837462* | 30/1357 | 71734844 | 30/875 |
| 6X0837462C | 30/1116 | 701837462A* | 30/1357 | 71734844 | 30/2152 |

TAVOLE DI COMPARAZIONE / CROSS REFERENCE GUIDE

Alzacristalli / Window



| Rif. adattabilità Compatible OEM ref. | Ns. rif. Our Ref. | Rif. adattabilità Compatible OEM ref. | Ns. rif. Our Ref. | Rif. adattabilità Compatible OEM ref. | Ns. rif. Our Ref. |
|--|----------------------|--|----------------------|--|----------------------|
| 71734848 | 30/1300 | 71743448 | 30/1470 | 71754431 | 30/1284 |
| 71734848 | 30/1300 | 71743448 | 30/1470 | 71754432 | 30/1285 |
| 71734849 | 30/1301 | 71743448 | 30/1470 | 71765537 | 30/1469 |
| 71734849 | 30/1301 | 71750976 | 30/1469 | 71765537 | 30/1469 |
| 71734869 | 30/1112 | 71750976 | 30/1469 | 71765537 | 30/1469 |
| 71734869 | 30/1112 | 71750976 | 30/1469 | 71768017 | 30/1471 |
| 71734870 | 30/1113 | 71750978 | 30/1470 | 71768017 | 30/1471 |
| 71734870 | 30/1113 | 71750978 | 30/1470 | 71768018 | 30/1472 |
| 71740121 | 30/1142 | 71750978 | 30/1470 | 71768018 | 30/1472 |
| 71740121* | 30/7002 | 71750980 | 30/2168 | 71768159 | 30/1470 |
| 71740122 | 30/2211 | 71750980 | 30/2168 | 71768159 | 30/1470 |
| 71740122* | 30/7002 | 71750980 | 30/2168 | 71768159 | 30/1470 |
| 71740123 | 30/1144 | 71750981 | 30/2169 | 71768282 | 30/1471 |
| 71740123* | 30/7004 | 71750981 | 30/2169 | 71768282 | 30/1471 |
| 71740124 | 30/1145 | 71750981 | 30/2169 | 71768283 | 30/1472 |
| 71740124* | 30/7003 | 71754403 | 30/1274 | 71768283 | 30/1472 |
| 71740125 | 30/3029 | 71754403* | 30/1397 | 71769765 | 30/1144 |
| 71740125* | 30/7004 | 71754404 | 30/1275 | 71769765* | 30/7004 |
| 71740175 | 30/1143 | 71754404* | 30/1398 | 71769766 | 30/1145 |
| 71740175* | 30/7001 | 71754405* | 30/1397 | 71769766* | 30/7003 |
| 71740176 | 30/2210 | 71754406* | 30/1398 | 71777157* | 30/1932 |
| 71740177 | 30/3030 | 71754415 | 30/1278 | 71777158* | 30/1933 |
| 71740177* | 30/7003 | 71754421 | 30/1280 | 71777779 | 30/1278 |
| 71740198 | 30/3051 | 71754421* | 30/1399 | 71777781 | 30/1284 |
| 71740199 | 30/3052 | 71754422 | 30/1281 | 71777782 | 30/1285 |
| 71740202 | 30/1612 | 71754422* | 30/1400 | 71779148* | 30/2661 |
| 71740203 | 30/1613 | 71754423 | 30/1282 | 71779149* | 30/2662 |
| 71743447 | 30/1469 | 71754423* | 30/1399 | 71779154 | 30/2663 |
| 71743447 | 30/1469 | 71754424 | 30/1283 | 71779155 | 30/2664 |
| 71743447 | 30/1469 | 71754424* | 30/1400 | 7178745 | 30/277B |

TAVOLE DI COMPARAZIONE / CROSS REFERENCE GUIDE

Alzacristalli / Window



| Rif. adattabilità Compatible OEM ref. | Ns. rif. Our Ref. | Rif. adattabilità Compatible OEM ref. | Ns. rif. Our Ref. | Rif. adattabilità Compatible OEM ref. | Ns. rif. Our Ref. |
|--|----------------------|--|----------------------|--|----------------------|
| 7178746 | 30/277 | 72210SMGE01* | 30/1862 | 72250S04A02 | 30/7090 |
| 72210S04A01 | 30/7092 | 72210ST3G11 | 30/7091 | 72250S04A02 | 30/7090 |
| 72210S04A01 | 30/7092 | 72210ST3G11 | 30/7091 | 72250S04A03 | 30/7090 |
| 72210S04A02 | 30/1258 | 72210SWYE01* | 30/2140 | 72250S04A03 | 30/7090 |
| 72210S04A02 | 30/7092 | 72210TF0003 | 30/7107 | 72250S04A04 | 30/1259 |
| 72210S04A02 | 30/7092 | 72210TF0003* | 30/1618 | 72250S04A04 | 30/7090 |
| 72210S04A03 | 30/1258 | 72210TF0G01 | 30/7106 | 72250S04A04 | 30/7090 |
| 72210S5AG10 | 30/1260 | 72210TGGA01* | 30/3081 | 72250S5AA05 | 30/1261 |
| 72210S5SG01 | 30/1860 | 72210TL0003* | 30/3025 | 72250S5AG05 | 30/1261 |
| 72210S5SG02 | 30/1860 | 72211S03J01* | 30/7101 | 72250S5SE11 | 30/1861 |
| 72210S5SG03 | 30/1860 | 72211S10J01* | 30/2442 | 72250S9AM02 | 30/1267 |
| 72210S6AG11 | 30/1260 | 72211S10J01* | 30/1264 | 72250S9AM03 | 30/1267 |
| 72210S6AG12 | 30/1260 | 72211S30003 | 30/1948 | 72250SAAG01 | 30/1269 |
| 72210S6AG13 | 30/1260 | 72211S30003* | 30/2320 | 72250SAAJ02 | 30/7424 |
| 72210S9AA02 | 30/1266 | 72211S4N003 | 30/1950 | 72250SEA003 | 30/2890 |
| 72210S9AA03 | 30/1266 | 72211S4N003* | 30/2322 | 72250SH3S01 | 30/7096 |
| 72210SAAG01 | 30/1268 | 72211T1GE01 | 30/3137 | 72250SH3S02 | 30/7096 |
| 72210SAAJ02 | 30/7104 | 72211TV0E01 | 30/2931 | 72250SH3X11 | 30/7096 |
| 72210SEAG01 | 30/2889 | 72215S2H003* | 30/2320 | 72250SH3X12 | 30/7096 |
| 72210SH3S01 | 30/7097 | 72215S30A01* | 30/2442 | 72250SH4S02 | 30/7098 |
| 72210SH3S02 | 30/7097 | 72215S30A02* | 30/2442 | 72250SK3G12 | 30/7102 |
| 72210SH3X11 | 30/7097 | 72215S30A02* | 30/1264 | 72250SK3G12 | 30/7102 |
| 72210SH3X12 | 30/7097 | 72215S4NG01* | 30/2322 | 72250SK3G13 | 30/7102 |
| 72210SH4S02 | 30/7099 | 72215SK3G12 | 30/7103 | 72250SK3G13 | 30/7102 |
| 72210SK3G11 | 30/7103 | 72215SK3G12 | 30/7103 | 72250SMGE01* | 30/1863 |
| 72210SK3G11 | 30/7103 | 72215SR3A01* | 30/2442 | 72250ST3G11 | 30/7093 |
| 72210SK3G12 | 30/7103 | 72215ST3G11 | 30/7091 | 72250ST3G11 | 30/7093 |
| 72210SK3G12 | 30/7103 | 72215ST3G11 | 30/7091 | 72250SWYE01* | 30/2141 |
| 72210SK3G13 | 30/7103 | 72250S04A01 | 30/7090 | 72250TF0003 | 30/7108 |
| 72210SK3G13 | 30/7103 | 72250S04A01 | 30/7090 | 72250TF0G01 | 30/7105 |

TAVOLE DI COMPARAZIONE / CROSS REFERENCE GUIDE

Alzacristalli / Window



| Rif. adattabilità Compatible OEM ref. | Ns. rif. Our Ref. | Rif. adattabilità Compatible OEM ref. | Ns. rif. Our Ref. | Rif. adattabilità Compatible OEM ref. | Ns. rif. Our Ref. |
|--|----------------------|--|----------------------|--|----------------------|
| 72250TF0G01* | 30/1619 | 7231109003 | 30/7341 | 72710TF0003 | 30/7110 |
| 72250TGGA01* | 30/3080 | 7231109003* | 30/7344 | 72710TV0E01* | 30/2959 |
| 72250TL0003* | 30/3026 | 7231109004 | 30/7341 | 72710TV0E11* | 30/2959 |
| 72251S03J01* | 30/7100 | 7231109004* | 30/7344 | 72711S4N003* | 30/2324 |
| 72251S10J01* | 30/2443 | 7231135000 | 30/2922 | 72715S4N003* | 30/2324 |
| 72251S10J01* | 30/1265 | 7231135000* | 30/2896 | 72715ST3E11 | 30/7095 |
| 72251S30003 | 30/1949 | 7232109000 | 30/7343 | 72715ST3E11 | 30/7095 |
| 72251S30003* | 30/2321 | 7232109000* | 30/7342 | 72750S5AJ010 | 30/1263 |
| 72251S4N003 | 30/1951 | 7232109001 | 30/7343 | 72750S5AJ02 | 30/1263 |
| 72251S4N003* | 30/2323 | 7232109001* | 30/7342 | 72750S5AJ03 | 30/1263 |
| 72251T1GE01 | 30/3136 | 7232109002 | 30/7343 | 72750S5DA05 | 30/1263 |
| 72251TV0E01 | 30/2932 | 7232109002* | 30/7342 | 72750SEA003 | 30/2892 |
| 72255S2H003* | 30/2321 | 7232109003 | 30/7343 | 72750ST3E11 | 30/7094 |
| 72255S30A01* | 30/2443 | 7232109003* | 30/7342 | 72750ST3E11 | 30/7094 |
| 72255S30A02* | 30/2443 | 7232109004 | 30/7343 | 72750SWAA01* | 30/2285 |
| 72255SK3G12 | 30/7102 | 7232109004* | 30/7342 | 72750SWAA02* | 30/2285 |
| 72255SK3G12 | 30/7102 | 7232135000 | 30/2921 | 72750T0LM01* | 30/3102 |
| 72255SR3505* | 30/1265 | 7232135000* | 30/2895 | 72750T0TH01* | 30/3102 |
| 72255SR3A01* | 30/7100 | 72710S5AJ010 | 30/1262 | 72750TEXR01* | 30/3088 |
| 72255SR3A01* | 30/2443 | 72710S5AJ02 | 30/1262 | 72750TF0003 | 30/7109 |
| 72255SR3A02* | 30/2443 | 72710S5AJ03 | 30/1262 | 72750TV0E01* | 30/2958 |
| 72255SR4A01* | 30/2443 | 72710S5DA05 | 30/1262 | 72750TV0E11* | 30/2958 |
| 72255ST3G11 | 30/7093 | 72710SEA003 | 30/2891 | 72751S4N003* | 30/2325 |
| 72255ST3G11 | 30/7093 | 72710ST3E11 | 30/7095 | 72755S10003* | 30/7101 |
| 7231109000 | 30/7341 | 72710ST3E11 | 30/7095 | 72755S10013* | 30/2442 |
| 7231109000* | 30/7344 | 72710SWAA01* | 30/2284 | 72755S4N003* | 30/2325 |
| 7231109001 | 30/7341 | 72710SWAA02* | 30/2284 | 72755ST3E11 | 30/7094 |
| 7231109001* | 30/7344 | 72710T0LM01* | 30/3103 | 72755ST3E11 | 30/7094 |
| 7231109002 | 30/7341 | 72710T0TH01* | 30/3103 | 7331109000* | 30/7345 |
| 7231109002* | 30/7344 | 72710TEXR01* | 30/3089 | 7331109002* | 30/7345 |

TAVOLE DI COMPARAZIONE / CROSS REFERENCE GUIDE

Alzacristalli / Window



| Rif. adattabilità Compatible OEM ref. | Ns. rif. Our Ref. | Rif. adattabilità Compatible OEM ref. | Ns. rif. Our Ref. | Rif. adattabilità Compatible OEM ref. | Ns. rif. Our Ref. |
|--|----------------------|--|----------------------|--|----------------------|
| 7331131000* | 30/2221 | 7482497191 | 30/247B | 7568888 | 30/764 |
| 7331131001* | 30/2221 | 7482497191 | 30/247B | 7577411 | 30/168 |
| 7331135000* | 30/2898 | 7482497191 | 30/247B | 7577412 | 30/168B |
| 7331135000* | 30/2956 | 7482497192 | 30/247 | 7591107 | 30/197 |
| 7332109000* | 30/7346 | 7482497192 | 30/247 | 7591107 | 30/197 |
| 7332109002* | 30/7346 | 7482497192 | 30/247 | 7591108 | 30/197B |
| 7332131000* | 30/2220 | 7482497193 | 30/1521 | 7591108 | 30/197B |
| 7332131001* | 30/2220 | 7482497193 | 30/1521 | 7595321 | 30/761 |
| 7332135000* | 30/2897 | 7482497193 | 30/1521 | 7595321 | 30/761 |
| 7332135000* | 30/2957 | 7482497194 | 30/1520 | 7595321 | 30/761 |
| 741040011 | 30/2006 | 7482497194 | 30/1520 | 7595322 | 30/762 |
| 741040011 | 30/2006 | 7482497194 | 30/1520 | 7595322 | 30/762 |
| 741040013 | 30/2007 | 7516767 | 30/197 | 7595322 | 30/762 |
| 741040013 | 30/2007 | 7516767 | 30/197 | 7602195 | 30/167 |
| 741040033 | 30/2003 | 7516768 | 30/197B | 7602197 | 30/161 |
| 741040034 | 30/2002 | 7516768 | 30/197B | 7602198 | 30/162 |
| 741090019 | 30/2009 | 7524175 | 30/871 | 7602200 | 30/167B |
| 741090019 | 30/2009 | 7524175 | 30/871 | 7602202 | 30/162B |
| 741090027 | 30/2008 | 7524176 | 30/872 | 7602203 | 30/161B |
| 741090027 | 30/2008 | 7524176 | 30/872 | 7603206 | 30/171 |
| 741090051 | 30/2005 | 7525367 | 30/871 | 7603207 | 30/171B |
| 741090052 | 30/2004 | 7525367 | 30/871 | 7603361 | 30/197 |
| 7421275875 | 30/1760 | 7525368 | 30/872 | 7603361 | 30/197 |
| 7422189860 | 30/1521 | 7525368 | 30/872 | 7603362 | 30/197B |
| 7422189860 | 30/1521 | 7525675 | 30/735 | 7603362 | 30/197B |
| 7422189860 | 30/1521 | 7542293 | 30/162 | 7611664 | 30/168 |
| 7422189861 | 30/1520 | 7542294 | 30/162B | 7611665 | 30/168B |
| 7422189861 | 30/1520 | 7542309 | 30/161 | 7627990 | 30/161 |
| 7422189861 | 30/1520 | 7542310 | 30/161B | 7627990 | 30/175 |
| 7482059716 | 30/1761 | 7568887 | 30/763 | 7627991 | 30/161B |

TAVOLE DI COMPARAZIONE / CROSS REFERENCE GUIDE

Alzacristalli / Window



| Rif. adattabilità Compatible OEM ref. | Ns. rif. Our Ref. | Rif. adattabilità Compatible OEM ref. | Ns. rif. Our Ref. | Rif. adattabilità Compatible OEM ref. | Ns. rif. Our Ref. |
|--|----------------------|--|----------------------|--|----------------------|
| 7627991 | 30/175B | 7695160 | 30/762 | 7700352491 | 30/276 |
| 7628495 | 30/686 | 7695160 | 30/762 | 7700352494 | 30/1006 |
| 7628496 | 30/687 | 7695160 | 30/762 | 7700352494 | 30/1006 |
| 7635430 | 30/162 | 7700303543 | 30/1495 | 7700352494 | 30/1006 |
| 7635430 | 30/176 | 7700303543 | 30/1495 | 7700352494 | 30/1006 |
| 7635431 | 30/162B | 7700303553 | 30/1494 | 7700352495 | 30/1005 |
| 7635431 | 30/176B | 7700303553 | 30/1494 | 7700352495 | 30/1005 |
| 7636247 | 30/764 | 7700311820 | 30/888 | 7700352495 | 30/1005 |
| 7636248 | 30/763 | 7700311820 | 30/888 | 7700352495 | 30/1005 |
| 7672892 | 30/178 | 7700311820 | 30/888 | 7700437155 | 30/2360 |
| 7672892 | 30/178 | 7700311820* | 30/1845 | 7700437156 | 30/2361 |
| 7672892 | 30/178 | 7700311820* | 30/1845 | 7700785633 | 30/7313 |
| 7672893 | 30/178B | 7700311820* | 30/1845 | 7700785634 | 30/7314 |
| 7672893 | 30/178B | 7700311821 | 30/887 | 7700798817 | 30/786 |
| 7672893 | 30/178B | 7700311821 | 30/887 | 7700798818 | 30/785 |
| 7688556 | 30/871 | 7700311821 | 30/887 | 7700799475 | 30/786 |
| 7688556 | 30/871 | 7700311821* | 30/1844 | 7700799476 | 30/785 |
| 7688557 | 30/872 | 7700311821* | 30/1844 | 7700802026 | 30/784 |
| 7688557 | 30/872 | 7700311821* | 30/1844 | 7700802027 | 30/783 |
| 7688620 | 30/738 | 7700351293 | 30/208B | 770083059 | 30/7315 |
| 7688621 | 30/739 | 7700351293 | 30/208B | 7700830596 | 30/7315 |
| 7691861 | 30/734 | 7700351293 | 30/208B | 7700830597 | 30/7316 |
| 7691862 | 30/735 | 7700351293 | 30/208B | 7700834342 | 30/973 |
| 7694565 | 30/162 | 7700351293 | 30/276B | 7700834343 | 30/974 |
| 7694565 | 30/176 | 7700351294 | 30/208 | 7700834346 | 30/909 |
| 7694566 | 30/162B | 7700351294 | 30/208 | 7700834347 | 30/910 |
| 7694566 | 30/176B | 7700351294 | 30/208 | 7700834393 | 30/955 |
| 7695159 | 30/761 | 7700351294 | 30/208 | 7700834394 | 30/956 |
| 7695159 | 30/761 | 7700351294 | 30/276 | 7700838591 | 30/2827 |
| 7695159 | 30/761 | 7700352490 | 30/276B | 7700838591 | 30/911 |

TAVOLE DI COMPARAZIONE / CROSS REFERENCE GUIDE

Alzacristalli / Window



| Rif. adattabilità Compatible OEM ref. | Ns. rif. Our Ref. | Rif. adattabilità Compatible OEM ref. | Ns. rif. Our Ref. | Rif. adattabilità Compatible OEM ref. | Ns. rif. Our Ref. |
|--|----------------------|--|----------------------|--|----------------------|
| 7700838592 | 30/2828 | 7737014 | 30/182B | 782540380 | 30/2623 |
| 7700838592 | 30/912 | 7737311 | 30/183 | 7C0837461 | 30/3070 |
| 7700838596 | 30/266B | 7737530 | 30/183B | 7C0837461A | 30/3070 |
| 7700838597 | 30/951 | 7737880 | 30/184 | 7C0837462 | 30/3069 |
| 7700838598 | 30/952 | 7737911 | 30/184B | 7C0837462A | 30/3069 |
| 7700842240 | 30/891 | 7747050 | 30/795 | 7H0837753B | 30/1517 |
| 7700842241 | 30/892 | 7747051 | 30/796 | 7H0837753C | 30/1517 |
| 7700842244 | 30/256 | 7749314 | 30/686 | 7H0837754B | 30/1516 |
| 7700842245 | 30/256B | 77493140 | 30/686 | 7H0837754C | 30/1516 |
| 7700842246 | 30/2817 | 7749315 | 30/687 | 7L0837461A | 30/1418 |
| 7700842246 | 30/889 | 77493150 | 30/687 | 7L0837461A | 30/1418 |
| 7700842247 | 30/2818 | 7749403 | 30/732 | 7L0837461B | 30/1418 |
| 7700842247 | 30/890 | 77494030 | 30/732 | 7L0837461B | 30/1418 |
| 7701039845* | 30/7310 | 7749404 | 30/733 | 7L0837461C | 30/1418 |
| 7701039846* | 30/7311 | 77494040 | 30/733 | 7L0837461C | 30/1418 |
| 7701207254 | 30/891 | 7763723 | 30/734 | 7L0837461D | 30/1418 |
| 7701207255 | 30/892 | 7763724 | 30/735 | 7L0837461D | 30/1418 |
| 7701367866* | 30/7311 | 7764075 | 30/732 | 7L0837461E | 30/1418 |
| 7701367867* | 30/7310 | 7764076 | 30/733 | 7L0837461E | 30/1418 |
| 7701378239* | 30/2391 | 7770258 | 30/773 | 7L0837461F | 30/1418 |
| 7701378240* | 30/2390 | 7770259 | 30/774 | 7L0837461F | 30/1418 |
| 7701470851* | 30/7310 | 7774246 | 30/736 | 7L0837462A | 30/1417 |
| 7701470852* | 30/7311 | 7774247 | 30/737 | 7L0837462A | 30/1417 |
| 7724510 | 30/732 | 7778152 | 30/787 | 7L0837462B | 30/1417 |
| 7724511 | 30/733 | 7778153 | 30/788 | 7L0837462B | 30/1417 |
| 7732487 | 30/793 | 7778154 | 30/7162 | 7L0837462C | 30/1417 |
| 7732488 | 30/794 | 7778155 | 30/790 | 7L0837462C | 30/1417 |
| 7735704 | 30/763 | 7789158 | 30/195 | 7L0837462D | 30/1417 |
| 7735705 | 30/764 | 7789159 | 30/195B | 7L0837462D | 30/1417 |
| 7736984 | 30/182 | 782540378 | 30/2624 | 7L0837462F | 30/1417 |

TAVOLE DI COMPARAZIONE / CROSS REFERENCE GUIDE

Alzacristalli / Window



| Rif. adattabilità Compatible OEM ref. | Ns. rif. Our Ref. | Rif. adattabilità Compatible OEM ref. | Ns. rif. Our Ref. | Rif. adattabilità Compatible OEM ref. | Ns. rif. Our Ref. |
|--|----------------------|--|----------------------|--|----------------------|
| 7L0837462F | 30/1417 | 7N0837461 | 30/1213 | 7N0843700D | 30/1214 |
| 7L0839461A | 30/2181 | 7N0837461D | 30/1213 | 7N0843700E | 30/1214 |
| 7L0839461A | 30/2181 | 7N0837461D | 30/1213 | 7N0843700E | 30/1214 |
| 7L0839461B | 30/2181 | 7N0837461F | 30/1213 | 7N0843700F | 30/1214 |
| 7L0839461B | 30/2181 | 7N0837461F | 30/1213 | 7N0843700F | 30/1214 |
| 7L0839461C | 30/2181 | 7N0837461H | 30/1213 | 7S71A23200BL | 30/1980 |
| 7L0839461C | 30/2181 | 7N0837461H | 30/1213 | 7S71A23201BL | 30/1981 |
| 7L0839461D | 30/2181 | 7N0837461J | 30/1213 | 80071EY10B | 30/2545 |
| 7L0839461D | 30/2181 | 7N0837461J | 30/1213 | 8010126J00* | 30/7231 |
| 7L0839462A | 30/2180 | 7N0837462 | 30/1212 | 807000002R | 30/1500 |
| 7L0839462A | 30/2180 | 7N0837462 | 30/1212 | 8070000Q0H* | 30/1982 |
| 7L0839462B | 30/2180 | 7N0837462D | 30/1212 | 8070000Q0H* | 30/1982 |
| 7L0839462B | 30/2180 | 7N0837462D | 30/1212 | 8070000Q0H* | 30/1982 |
| 7L0839462C | 30/2180 | 7N0837462F | 30/1212 | 8070000QAL | 30/887 |
| 7L0839462C | 30/2180 | 7N0837462F | 30/1212 | 8070000QAL | 30/887 |
| 7L0839462D | 30/2180 | 7N0839461 | 30/1215 | 8070000QAL | 30/887 |
| 7L0839462D | 30/2180 | 7N0839461 | 30/1215 | 8070000QAL* | 30/1844 |
| 7M0837461 | 30/1193 | 7N0839462 | 30/1214 | 8070000QAL* | 30/1844 |
| 7M0837461 | 30/1193 | 7N0839462 | 30/1214 | 8070000QAL* | 30/1844 |
| 7M0837461 | 30/1193 | 7N0843699C | 30/1215 | 8070000QAN | 30/1494 |
| 7M0837461A | 30/1193 | 7N0843699C | 30/1215 | 8070000QAN | 30/1494 |
| 7M0837461A | 30/1193 | 7N0843699D | 30/1215 | 8070006J01* | 30/7232 |
| 7M0837461A | 30/1193 | 7N0843699D | 30/1215 | 807000F000* | 30/1053 |
| 7M0837462 | 30/1192 | 7N0843699E | 30/1215 | 807000F000* | 30/1053 |
| 7M0837462 | 30/1192 | 7N0843699E | 30/1215 | 807000F005* | 30/1053 |
| 7M0837462 | 30/1192 | 7N0843699F | 30/1215 | 807000F005* | 30/1053 |
| 7M0837462A | 30/1192 | 7N0843699F | 30/1215 | 807000F010* | 30/1053 |
| 7M0837462A | 30/1192 | 7N0843700C | 30/1214 | 807000F010* | 30/1053 |
| 7M0837462A | 30/1192 | 7N0843700C | 30/1214 | 807000F015* | 30/1053 |
| 7N0837461 | 30/1213 | 7N0843700D | 30/1214 | 807000F015* | 30/1053 |

TAVOLE DI COMPARAZIONE / CROSS REFERENCE GUIDE

Alzacristalli / Window



| Rif. adattabilità Compatible OEM ref. | Ns. rif. Our Ref. | Rif. adattabilità Compatible OEM ref. | Ns. rif. Our Ref. | Rif. adattabilità Compatible OEM ref. | Ns. rif. Our Ref. |
|--|----------------------|--|----------------------|--|----------------------|
| 807000T010* | 30/2086 | 807004X00B | 30/2474 | 807009X60A | 30/2084 |
| 807000T010* | 30/2114 | 807004X00E | 30/2474 | 80700AX100 | 30/1353 |
| 807000Y700* | 30/7232 | 807004X01A | 30/2476 | 80700AX100* | 30/1429 |
| 807001363R* | 30/1984 | 807004X01B | 30/2476 | 80700AX115 | 30/1353 |
| 8070026J00* | 30/7232 | 807004X01C | 30/2476 | 80700AX115* | 30/1429 |
| 807002F000 | 30/7242 | 807005F600 | 30/1457 | 80700AX120 | 30/1353 |
| 807002F002 | 30/7242 | 807005F610 | 30/1457 | 80700AX120* | 30/1429 |
| 807002F010 | 30/7242 | 807005M400 | 30/1592 | 80700AX600 | 30/1353 |
| 807002X005* | 30/1053 | 8070064Y00* | 30/7218 | 80700AX600* | 30/1429 |
| 807002X005* | 30/1053 | 807006F610 | 30/1457 | 80700AX615 | 30/1353 |
| 8070032J00* | 30/7232 | 807006F611 | 30/1457 | 80700AX615* | 30/1429 |
| 807004A00C | 30/7236 | 807006KG1B | 30/2589 | 80700AX620 | 30/1353 |
| 807004A00K | 30/7236 | 8070070J00 | 30/7238 | 80700AX620* | 30/1429 |
| 807004A01B | 30/7236 | 8070071J00 | 30/7238 | 80700BC400 | 30/1353 |
| 807004EA0A* | 30/2088 | 8070072J00 | 30/7238 | 80700BC400* | 30/1429 |
| 807004EA0A* | 30/2088 | 8070073J00 | 30/7238 | 80700BC40A | 30/1353 |
| 807004EA0B | 30/7249 | 807007C302 | 30/1590 | 80700BC40A* | 30/1429 |
| 807004EA0B | 30/7249 | 807009C100 | 30/1590 | 80700BC40B | 30/1353 |
| 807004EA0C* | 30/2088 | 807009C101 | 30/1590 | 80700BC40B* | 30/1429 |
| 807004EA0C* | 30/2088 | 807009F500 | 30/7242 | 80700BC600 | 30/1353 |
| 807004EA0D | 30/7249 | 807009U000* | 30/2010 | 80700BC600* | 30/1429 |
| 807004EA0D | 30/7249 | 807009U00D* | 30/2010 | 80700BC60A | 30/1353 |
| 807004EA1D | 30/7249 | 807009U100 | 30/2480 | 80700BC60A* | 30/1429 |
| 807004EA1D | 30/7249 | 807009U20A | 30/2480 | 80700BM605 | 30/7220 |
| 807004EA3D | 30/7249 | 807009X000 | 30/2082 | 80700BM606 | 30/7220 |
| 807004EA3D | 30/7249 | 807009X001 | 30/2084 | 80700BM705 | 30/1592 |
| 807004F100 | 30/1457 | 807009X002 | 30/2082 | 80700EB300 | 30/2478 |
| 807004F110 | 30/1457 | 807009X003 | 30/2084 | 80700EB300* | 30/7224 |
| 807004F112 | 30/1457 | 807009X600 | 30/2084 | 80700EB305* | 30/7224 |
| 807004KD0B | 30/2589 | 807009X601 | 30/2084 | 80700EB30B | 30/2478 |

TAVOLE DI COMPARAZIONE / CROSS REFERENCE GUIDE

Alzacristalli / Window



| Rif. adattabilità Compatible OEM ref. | Ns. rif. Our Ref. | Rif. adattabilità Compatible OEM ref. | Ns. rif. Our Ref. | Rif. adattabilità Compatible OEM ref. | Ns. rif. Our Ref. |
|--|----------------------|--|----------------------|--|----------------------|
| 80700EB30B* | 30/7224 | 8070132J00* | 30/7231 | 8070171J00 | 30/7237 |
| 80700EB30C | 30/2478 | 807014A00C | 30/7235 | 8070172J00 | 30/7237 |
| 80700EB30C* | 30/7224 | 807014A00E | 30/7235 | 8070173J00 | 30/7237 |
| 80700EB31C* | 30/7224 | 807014A00K | 30/7235 | 807017C302 | 30/1591 |
| 807010002R | 30/1501 | 807014A01C | 30/7235 | 807017C360 | 30/1591 |
| 8070100Q0H* | 30/1983 | 807014EA0B | 30/7250 | 807018F300* | 30/1054 |
| 8070100Q0H* | 30/1983 | 807014EA0B | 30/7250 | 807018F300* | 30/1054 |
| 8070100Q0H* | 30/1983 | 807014EA0C* | 30/2089 | 807018F325* | 30/1054 |
| 8070100QAL | 30/888 | 807014EA0C* | 30/2089 | 807018F325* | 30/1054 |
| 8070100QAL | 30/888 | 807014EA0D | 30/7250 | 807019225R* | 30/1985 |
| 8070100QAL | 30/888 | 807014EA0D | 30/7250 | 807019C100 | 30/1591 |
| 8070100QAL* | 30/1845 | 807014EA3C* | 30/2089 | 807019C101 | 30/1591 |
| 8070100QAL* | 30/1845 | 807014EA3C* | 30/2089 | 807019F500 | 30/7241 |
| 8070100QAL* | 30/1845 | 807014F100 | 30/1458 | 807019U000 | 30/2013 |
| 8070100QAN | 30/1495 | 807014F110 | 30/1458 | 807019U00D | 30/2013 |
| 8070100QAN | 30/1495 | 807014F112 | 30/1458 | 807019U100 | 30/2481 |
| 8070106J00* | 30/7231 | 807014KD0B | 30/2590 | 807019U100* | 30/2011 |
| 8070106J01* | 30/7231 | 807014X00A | 30/2475 | 807019U10D* | 30/2011 |
| 807010F010* | 30/1054 | 807014X00B | 30/2475 | 807019U20A | 30/2481 |
| 807010F010* | 30/1054 | 807014X00E | 30/2475 | 807019U20A* | 30/2011 |
| 807010F015* | 30/1054 | 807014X01A | 30/2477 | 807019X000 | 30/2083 |
| 807010F015* | 30/1054 | 807014X01B | 30/2477 | 807019X002 | 30/2083 |
| 807010Y700* | 30/7231 | 807014X01C | 30/2477 | 807019X003 | 30/2085 |
| 807012F000 | 30/7241 | 807015F600 | 30/1458 | 807019X60A | 30/2085 |
| 807012F002 | 30/7241 | 807015F610 | 30/1458 | 80701AX100 | 30/1354 |
| 807012F010 | 30/7241 | 807016525R* | 30/1985 | 80701AX100* | 30/1430 |
| 807012X005* | 30/1054 | 807016F610 | 30/1458 | 80701AX115 | 30/1354 |
| 807012X005* | 30/1054 | 807016F611 | 30/1458 | 80701AX115* | 30/1430 |
| 807012X00B* | 30/1054 | 807016KG1B | 30/2590 | 80701AX120 | 30/1354 |
| 807012X00B* | 30/1054 | 8070170J00 | 30/7237 | 80701AX120* | 30/1430 |

TAVOLE DI COMPARAZIONE / CROSS REFERENCE GUIDE

Alzacristalli / Window



| Rif. adattabilità Compatible OEM ref. | Ns. rif. Our Ref. | Rif. adattabilità Compatible OEM ref. | Ns. rif. Our Ref. | Rif. adattabilità Compatible OEM ref. | Ns. rif. Our Ref. |
|--|----------------------|--|----------------------|--|----------------------|
| 80701AX600 | 30/1354 | 807200008R* | 30/1982 | 807205FA0A | 30/2927 |
| 80701AX600* | 30/1430 | 807200008R* | 30/1982 | 807205FA2A | 30/2927 |
| 80701AX615 | 30/1354 | 807200294R | 30/2869 | 807206317R* | 30/2088 |
| 80701AX615* | 30/1430 | 807200713R* | 30/1984 | 807206317R* | 30/2088 |
| 80701AX620 | 30/1354 | 807200M016* | 30/7218 | 807206FR0A | 30/7255 |
| 80701AX620* | 30/1430 | 807200M017* | 30/7218 | 807206FR0A* | 30/7254 |
| 80701BC400 | 30/1354 | 807201952R* | 30/2883 | 807207012R | 30/1536 |
| 80701BC400* | 30/1430 | 807201952R* | 30/2907 | 807207012R | 30/1536 |
| 80701BC40A | 30/1354 | 807201HB0A* | 30/1459 | 807207012R* | 30/2090 |
| 80701BC40A* | 30/1430 | 807201KA0A | 30/1588 | 807207538R* | 30/2156 |
| 80701BC40B | 30/1354 | 807201KA0A* | 30/1584 | 807207538R* | 30/2156 |
| 80701BC40B* | 30/1430 | 807201KA0C | 30/1588 | 807207538R* | 30/2156 |
| 80701BC600 | 30/1354 | 807201KA0C* | 30/1584 | 807207538R* | 30/2156 |
| 80701BC600* | 30/1430 | 807201M108* | 30/7216 | 807207736R | 30/1726 |
| 80701BC60A | 30/1354 | 807201M109* | 30/7216 | 807207795R | 30/7249 |
| 80701BC60A* | 30/1430 | 807201M115* | 30/7216 | 807207795R | 30/7249 |
| 80701BM605 | 30/7219 | 807202F000 | 30/7242 | 807208353R | 30/2190 |
| 80701BM606 | 30/7219 | 807202S410* | 30/7222 | 807208353R* | 30/3101 |
| 80701BM705 | 30/1593 | 807202S41A* | 30/7222 | 807208353R* | 30/3101 |
| 80701EB300 | 30/2479 | 807203154R | 30/1496 | 807208H300 | 30/2080 |
| 80701EB300* | 30/7223 | 807203557R | 30/7249 | 807208H300* | 30/2353 |
| 80701EB30B | 30/2479 | 807203557R | 30/7249 | 807208H30A | 30/2080 |
| 80701EB30B* | 30/7223 | 807203NA0A | 30/3117 | 807208H30A* | 30/2353 |
| 80701EB30C | 30/2479 | 807204CA0A | 30/7255 | 807209071R | 30/2341 |
| 80701EB30C* | 30/7223 | 807204CA0A* | 30/7254 | 807209299R | 30/7062 |
| 807200001 | 30/1496 | 807205115R | 30/1720 | 807209565 | 30/1536 |
| 807200001R | 30/1496 | 807205433R* | 30/2088 | 807209565 | 30/1536 |
| 807200007 | 30/1720 | 807205433R* | 30/2088 | 807209565* | 30/2090 |
| 807200007R | 30/1720 | 807205569R | 30/1876 | 807209565R | 30/1536 |
| 807200008R* | 30/1982 | 807205569R* | 30/1892 | 807209565R | 30/1536 |

TAVOLE DI COMPARAZIONE / CROSS REFERENCE GUIDE

Alzacristalli / Window



| Rif. adattabilità Compatible OEM ref. | Ns. rif. Our Ref. | Rif. adattabilità Compatible OEM ref. | Ns. rif. Our Ref. | Rif. adattabilità Compatible OEM ref. | Ns. rif. Our Ref. |
|--|----------------------|--|----------------------|--|----------------------|
| 807209565R* | 30/2090 | 807210M016* | 30/7217 | 807214665R | 30/2870 |
| 807209732R | 30/7249 | 807210M017* | 30/7217 | 807214CA0A | 30/7253 |
| 807209732R | 30/7249 | 807210T010* | 30/2087 | 807214CA0A* | 30/7256 |
| 807209969R | 30/2865 | 807210T010* | 30/2115 | 807215092R | 30/2191 |
| 807209C100 | 30/1590 | 807211HB0A* | 30/1460 | 807215092R* | 30/3100 |
| 80720JX00B | 30/7230 | 807211KA0A | 30/1589 | 807215092R* | 30/3100 |
| 80720JX00B* | 30/7228 | 807211KA0A* | 30/1585 | 807215FA0A | 30/2928 |
| 80720JY00 | 30/1726 | 807211KA0C | 30/1589 | 807215FA2A | 30/2928 |
| 80720JY00B | 30/1726 | 807211KA0C* | 30/1585 | 807216280R* | 30/2157 |
| 80720MA00B | 30/1816 | 807211KA0C* | 30/1585 | 807216280R* | 30/2157 |
| 80720MA00B | 30/1816 | 807211M108* | 30/7215 | 807216280R* | 30/2157 |
| 80720MA00C | 30/1816 | 807211M109* | 30/7215 | 807216280R* | 30/2157 |
| 80720MA00C | 30/1816 | 807211M115* | 30/7215 | 807216427R | 30/2866 |
| 80720MA00D | 30/1816 | 807212230 | 30/1537 | 807216718R | 30/1497 |
| 80720MA00D | 30/1816 | 807212230 | 30/1537 | 807216FR0A | 30/7253 |
| 80720MA00E | 30/1816 | 807212230* | 30/2091 | 807216FR0A* | 30/7256 |
| 80720MA00E | 30/1816 | 807212230R | 30/1537 | 807217052R* | 30/2089 |
| 807210002 | 30/1497 | 807212230R | 30/1537 | 807217052R* | 30/2089 |
| 807210002R | 30/1497 | 807212230R* | 30/2091 | 807217664R* | 30/2908 |
| 807210007 | 30/1721 | 807212569R | 30/1721 | 807218568R* | 30/2089 |
| 807210007R | 30/1721 | 807212F000 | 30/7241 | 807218568R* | 30/2089 |
| 807210008R* | 30/1983 | 807213282R | 30/7061 | 807218884R* | 30/2089 |
| 807210008R* | 30/1983 | 807213441R | 30/1537 | 807218884R* | 30/2089 |
| 807210008R* | 30/1983 | 807213441R | 30/1537 | 807218H300 | 30/2081 |
| 807210272R* | 30/2884 | 807213441R* | 30/2091 | 807218H300* | 30/2354 |
| 807210272R* | 30/2908 | 807213867R | 30/1877 | 807218H30A | 30/2081 |
| 807210974R* | 30/2157 | 807213867R* | 30/1893 | 807218H30A* | 30/2354 |
| 807210974R* | 30/2157 | 807213915R | 30/2342 | 807219093R | 30/1727 |
| 807210974R* | 30/2157 | 807213NA0A | 30/3116 | 807219C100 | 30/1591 |
| 807210974R* | 30/2157 | 807213WA0A | 30/3116 | 80721JX00B | 30/7229 |

TAVOLE DI COMPARAZIONE / CROSS REFERENCE GUIDE

Alzacristalli / Window



| Rif. adattabilità Compatible OEM ref. | Ns. rif. Our Ref. | Rif. adattabilità Compatible OEM ref. | Ns. rif. Our Ref. | Rif. adattabilità Compatible OEM ref. | Ns. rif. Our Ref. |
|--|----------------------|--|----------------------|--|----------------------|
| 80721JX00B* | 30/7227 | 807308991C* | 30/2355 | 80731JX30C* | 30/1585 |
| 80721JY00 | 30/1727 | 807308F325* | 30/1053 | 80731VJ200* | 30/7221 |
| 80721JY00B | 30/1727 | 807308F325* | 30/1053 | 80731VJ201* | 30/7221 |
| 80721JY00C | 30/1727 | 807309C100 | 30/1590 | 80770AV600* | 30/1395 |
| 80721MA00B | 30/1817 | 80730JX30A* | 30/1584 | 80770AV601* | 30/1395 |
| 80721MA00B | 30/1817 | 80730JX30A* | 30/7228 | 80770AV610* | 30/1395C |
| 80721MA00C | 30/1817 | 80730JX30B* | 30/1584 | 80770AV610* | 30/2386 |
| 80721MA00C | 30/1817 | 80730JX30C* | 30/1584 | 80770AV611* | 30/1395C |
| 80721MA00D | 30/1817 | 807310M007* | 30/7215 | 80770AV611* | 30/2386 |
| 80721MA00D | 30/1817 | 807310M007* | 30/7217 | 80770BA100* | 30/1395C |
| 80721MA00E | 30/1817 | 807310M016* | 30/7215 | 80770BA100* | 30/2386 |
| 80721MA00E | 30/1817 | 807310M016* | 30/7217 | 80770BA10B* | 30/1395C |
| 80721VJ200* | 30/7221 | 807310T010* | 30/2087 | 80770BA10B* | 30/2386 |
| 80721VJ20A* | 30/7221 | 807310T016* | 30/2115 | 80770BA200* | 30/1395 |
| 807300M007* | 30/7216 | 807311420R | 30/1501 | 80770BA20C* | 30/1395 |
| 807300M007* | 30/7218 | 807314CA0A* | 30/7254 | 80770EY10A | 30/2486 |
| 807300M016* | 30/7216 | 8073187325* | 30/1054 | 80770EY10A* | 30/1359C |
| 807300M016* | 30/7218 | 8073187325* | 30/1054 | 80770EY10A* | 30/2412 |
| 807300T010* | 30/2086 | 8073189912* | 30/2356 | 80770EY10A* | 30/1359 |
| 807300T015* | 30/2114 | 8073189913* | 30/2354 | 80770EY10A* | 30/2925 |
| 807302S410* | 30/7222 | 8073189913* | 30/2356 | 80770EY10B | 30/2544 |
| 807303J105* | 30/7222 | 8073189915* | 30/2354 | 80770EY10B* | 30/1596 |
| 807304CA0A* | 30/7256 | 807318991A* | 30/2354 | 80770JD000 | 30/2486 |
| 807304X00A | 30/2474 | 807318991C* | 30/2354 | 80770JD000* | 30/1359C |
| 8073089912* | 30/2353 | 807318991C* | 30/2356 | 80770JD000* | 30/2412 |
| 8073089912* | 30/2355 | 807318F325* | 30/1054 | 80770JD000* | 30/1359 |
| 8073089913* | 30/2353 | 807318F325* | 30/1054 | 80770JD00A | 30/2544 |
| 8073089913* | 30/2355 | 807319C100 | 30/1591 | 80770JD00A* | 30/1596 |
| 807308991A* | 30/2353 | 80731JX30A* | 30/7227 | 80771AV610* | 30/1396C |
| 807308991C* | 30/2353 | 80731JX30B* | 30/1585 | 80771AV610* | 30/2387 |

TAVOLE DI COMPARAZIONE / CROSS REFERENCE GUIDE

Alzacristalli / Window



| Rif. adattabilità Compatible OEM ref. | Ns. rif. Our Ref. | Rif. adattabilità Compatible OEM ref. | Ns. rif. Our Ref. | Rif. adattabilità Compatible OEM ref. | Ns. rif. Our Ref. |
|--|----------------------|--|----------------------|--|----------------------|
| 80771AV610* | 30/1396 | 81286016138 | 30/3177 | 8200017894* | 30/1724 |
| 80771AV611* | 30/1396C | 81626456052 | 30/3175 | 8200017903 | 30/2547 |
| 80771AV611* | 30/2387 | 81626456052* | 30/2074 | 8200017903* | 30/1725 |
| 80771AV611* | 30/1396 | 81626456053 | 30/3176 | 8200017904* | 30/1724 |
| 80771BA200* | 30/1396C | 81626456053* | 30/2075 | 8200017905* | 30/2399 |
| 80771BA200* | 30/2387 | 81626456054* | 30/1778 | 8200017905* | 30/7308 |
| 80771BA200* | 30/1396 | 81626456054* | 30/3179 | 8200017906* | 30/2398 |
| 80771BA20C* | 30/1396C | 81626456055* | 30/1779 | 8200017906* | 30/7309 |
| 80771BA20C* | 30/2387 | 81626456055* | 30/3180 | 8200017907 | 30/2832 |
| 80771BA20C* | 30/1396 | 81A837461 | 30/2656 | 8200017908 | 30/2831 |
| 80771EY10B* | 30/1597 | 81A837462 | 30/2655 | 8200017909 | 30/2521 |
| 80771JD000 | 30/2487 | 81A839461 | 30/2658 | 820001791 | 30/2520 |
| 80771JD000* | 30/1360C | 81A839462 | 30/2657 | 8200017910 | 30/2520 |
| 80771JD000* | 30/2413 | 8200000556 | 30/1546 | 820002806* | 30/2395 |
| 80771JD000* | 30/1360 | 8200000556* | 30/1045 | 820002806* | 30/1351 |
| 80771JD000* | 30/2926 | 8200000557 | 30/2820 | 8200028068* | 30/2395 |
| 80771JD00A | 30/2545 | 8200000557 | 30/1366 | 8200028068* | 30/1351 |
| 80771JD00A* | 30/1597 | 8200000558 | 30/2819 | 820002807* | 30/2394 |
| 80771JD20A | 30/2487 | 8200000558 | 30/1365 | 820002807* | 30/1352 |
| 80771JD20A* | 30/1360C | 8200000937 | 30/1547 | 8200028070* | 30/2394 |
| 80771JD20A* | 30/2413 | 8200000938 | 30/1546 | 8200028070* | 30/1352 |
| 80771JD20A* | 30/1360 | 8200007659* | 30/1046 | 8200038151 | 30/956 |
| 80771JD20A* | 30/2926 | 8200007660* | 30/1045 | 8200038152 | 30/955 |
| 80A837461A | 30/3004 | 8200008329 | 30/1376C | 8200044416 | 30/2361 |
| 80A837462A | 30/3003 | 8200008329* | 30/2397 | 8200044417 | 30/2360 |
| 80A839461 | 30/3005 | 8200008330 | 30/1375C | 8200051779 | 30/1028 |
| 80A839461A | 30/3005 | 8200008330* | 30/2396 | 8200051780 | 30/1027 |
| 80A839462 | 30/3006 | 8200008330* | 30/1375 | 8200075938 | 30/1712 |
| 80A839462A | 30/3006 | 8200017893 | 30/2547 | 8200075940 | 30/1713 |
| 81286016137 | 30/3178 | 8200017893* | 30/1725 | 8200076022 | 30/1710 |

TAVOLE DI COMPARAZIONE / CROSS REFERENCE GUIDE

Alzacristalli / Window



| Rif. adattabilità Compatible OEM ref. | Ns. rif. Our Ref. | Rif. adattabilità Compatible OEM ref. | Ns. rif. Our Ref. | Rif. adattabilità Compatible OEM ref. | Ns. rif. Our Ref. |
|--|----------------------|--|----------------------|--|----------------------|
| 8200076023 | 30/1711 | 8200162708 | 30/3016 | 8200219260 | 30/1111 |
| 8200085841* | 30/2392 | 8200162708 | 30/1006 | 8200219260* | 30/1131 |
| 8200085841* | 30/1056 | 8200162708 | 30/3016 | 8200219261 | 30/1110 |
| 8200085843 | 30/1055CK | 8200162708 | 30/1006 | 8200219261* | 30/1130 |
| 8200085843* | 30/2393 | 8200162708 | 30/3016 | 8200232508 | 30/1717 |
| 8200085843* | 30/1055 | 8200162708 | 30/1006 | 8200232509 | 30/1716 |
| 8200098914 | 30/2523 | 8200162708* | 30/1793 | 8200277577 | 30/2826 |
| 8200098914* | 30/7064 | 8200162708* | 30/1793 | 8200277577 | 30/7312 |
| 8200098915 | 30/2522 | 8200162708* | 30/1793 | 8200277578 | 30/2825 |
| 8200098915* | 30/7063 | 8200162708* | 30/1793 | 8200277578 | 30/1090 |
| 8200118775 | 30/1015CK | 8200162710 | 30/1005 | 820029114 | 30/3082 |
| 8200118775* | 30/2415 | 8200162710 | 30/3015 | 820029114* | 30/1406 |
| 8200118775* | 30/1029 | 8200162710 | 30/3015 | 8200291145 | 30/1719 |
| 8200118777 | 30/1016CK | 8200162710 | 30/1005 | 8200291147 | 30/1718 |
| 8200118777* | 30/2414 | 8200162710 | 30/3015 | 8200291148 | 30/3082 |
| 8200118777* | 30/1030 | 8200162710 | 30/1005 | 8200291148* | 30/1406 |
| 8200118784 | 30/2528 | 8200162710 | 30/3015 | 820029115 | 30/1405C |
| 8200118785 | 30/2529 | 8200162710 | 30/1005 | 820029115 | 30/3083 |
| 8200118854 | 30/258 | 8200162710* | 30/1792 | 820029115* | 30/1405 |
| 8200118855 | 30/258B | 8200162710* | 30/1792 | 8200291150 | 30/1405C |
| 8200118856 | 30/1018CK | 8200162710* | 30/1792 | 8200291150 | 30/3083 |
| 8200118856* | 30/2417 | 8200162710* | 30/1792 | 8200291150* | 30/1405 |
| 8200118856* | 30/1048 | 8200188551 | 30/1494 | 8200291151 | 30/1388 |
| 8200118857 | 30/1017CK | 8200188551 | 30/2829 | 8200291151* | 30/1390 |
| 8200118857* | 30/2416 | 8200188551 | 30/1494 | 8200291153 | 30/1387 |
| 8200118857* | 30/1047 | 8200188553 | 30/1495 | 8200291153* | 30/1389 |
| 8200155793 | 30/257B | 8200188553 | 30/2830 | 8200297443 | 30/1715 |
| 8200157006 | 30/257 | 8200188553 | 30/1495 | 8200297444 | 30/1714 |
| 8200162708 | 30/1006 | 8200219258 | 30/265B | 8200297445 | 30/3078 |
| 8200162708 | 30/3016 | 8200219259 | 30/265 | 8200297445* | 30/2400 |

TAVOLE DI COMPARAZIONE / CROSS REFERENCE GUIDE

Alzacristalli / Window



| Rif. adattabilità Compatible OEM ref. | Ns. rif. Our Ref. | Rif. adattabilità Compatible OEM ref. | Ns. rif. Our Ref. | Rif. adattabilità Compatible OEM ref. | Ns. rif. Our Ref. |
|--|----------------------|--|----------------------|--|----------------------|
| 8200297447 | 30/1435C | 8200384743* | 30/2093 | 8200485229 | 30/2832 |
| 8200297447 | 30/3079 | 8200403241 | 30/2523 | 8200485230 | 30/2831 |
| 8200297447* | 30/2401 | 8200403241* | 30/7064 | 8200485232 | 30/2521 |
| 8200305720 | 30/1376C | 8200403242 | 30/2522 | 8200485233 | 30/2520 |
| 8200305720* | 30/2397 | 8200403242* | 30/7063 | 8200497568 | 30/1537 |
| 8200305720* | 30/1376 | 8200424422* | 30/1724 | 8200497568 | 30/1537 |
| 8200305721 | 30/1375C | 8200424423 | 30/2547 | 8200497568* | 30/2091 |
| 8200305721* | 30/2396 | 8200424423* | 30/1725 | 8200497601 | 30/1536 |
| 8200305724* | 30/2399 | 8200467967 | 30/2821 | 8200497601 | 30/1536 |
| 8200305724* | 30/7308 | 8200467971 | 30/2822 | 8200497601* | 30/2090 |
| 8200305725* | 30/2398 | 8200478298 | 30/2825 | 8200603795 | 30/7059 |
| 8200305725* | 30/7309 | 8200478298 | 30/1090 | 8200603810 | 30/7060 |
| 8200325135 | 30/1057CK | 8200478299 | 30/2826 | 8200628747 | 30/1016CK |
| 8200325135* | 30/2391 | 8200478299 | 30/7312 | 8200628747* | 30/2414 |
| 8200325135* | 30/1057 | 8200478302 | 30/1110 | 8200628747* | 30/1030 |
| 8200325136 | 30/1058CK | 8200478302* | 30/1130 | 8200628749 | 30/1015CK |
| 8200325136* | 30/2390 | 8200478303 | 30/1111 | 8200628749* | 30/2415 |
| 8200325136* | 30/1058 | 8200478303* | 30/1131 | 8200628749* | 30/1029 |
| 8200325137 | 30/1055CK | 8200478611 | 30/2528 | 820062875 | 30/2528 |
| 8200325137* | 30/2393 | 8200478613 | 30/2529 | 8200628752 | 30/2528 |
| 8200325137* | 30/1055 | 8200478616 | 30/1710 | 820062876 | 30/2529 |
| 8200325138 | 30/1056CK | 8200478617 | 30/1711 | 8200628769 | 30/2529 |
| 8200325138* | 30/2392 | 8200478622 | 30/1712 | 8200634737 | 30/1017CK |
| 8200325138* | 30/1056 | 8200478623 | 30/1713 | 8200634737* | 30/2416 |
| 8200335243 | 30/3085 | 8200485195 | 30/1546 | 8200634737* | 30/1047 |
| 8200335243 | 30/2953C | 8200485195* | 30/1045 | 8200634738 | 30/1018CK |
| 8200335243* | 30/2421 | 8200485201 | 30/2820 | 8200634738* | 30/2417 |
| 8200384741 | 30/1732 | 8200485201 | 30/1366 | 8200634738* | 30/1048 |
| 8200384741* | 30/2092 | 8200485202 | 30/2819 | 8200636810 | 30/258 |
| 8200384743 | 30/1733 | 8200485202 | 30/1365 | 8200636812 | 30/258B |

TAVOLE DI COMPARAZIONE / CROSS REFERENCE GUIDE

Alzacristalli / Window



| Rif. adattabilità Compatible OEM ref. | Ns. rif. Our Ref. | Rif. adattabilità Compatible OEM ref. | Ns. rif. Our Ref. | Rif. adattabilità Compatible OEM ref. | Ns. rif. Our Ref. |
|--|----------------------|--|----------------------|--|----------------------|
| 8200646836 | 30/1017CK | 8200748381 | 30/2826 | 8200901105 | 30/1347 |
| 8200646836* | 30/2416 | 8200748381 | 30/7312 | 8201010921* | 30/2395 |
| 8200646836* | 30/1047 | 8200801329 | 30/1110 | 8201010921* | 30/1351 |
| 8200646837 | 30/1018CK | 8200801329* | 30/1130 | 8201010924* | 30/2394 |
| 8200646837* | 30/2417 | 8200801330 | 30/1111 | 8201010924* | 30/1352 |
| 8200646837* | 30/1048 | 8200801330* | 30/1131 | 8201010925 | 30/1057CK |
| 8200646838 | 30/1015CK | 8200804290 | 30/1350 | 8201010925* | 30/2391 |
| 8200646838* | 30/2415 | 8200804297 | 30/1349 | 8201010925* | 30/1057 |
| 8200646838* | 30/1029 | 8200804299 | 30/1348 | 8201010926 | 30/1058CK |
| 8200646839 | 30/1016CK | 8200804301 | 30/1347 | 8201010926* | 30/2390 |
| 8200646839* | 30/2414 | 8200826165 | 30/1714 | 8201010926* | 30/1058 |
| 8200646839* | 30/1030 | 8200826165* | 30/1435 | 8201010927 | 30/1055CK |
| 8200646840 | 30/2528 | 8200826167 | 30/1715 | 8201010927* | 30/2393 |
| 8200646841 | 30/2529 | 8200826167* | 30/1436 | 8201010927* | 30/1055 |
| 8200722832* | 30/1046 | 8200826169 | 30/3078 | 8201010929 | 30/1056CK |
| 8200722834* | 30/1045 | 8200826169* | 30/2400 | 8201010929* | 30/2392 |
| 8200733828 | 30/1730 | 8200826173 | 30/1435C | 8201010929* | 30/1056 |
| 8200733828* | 30/1840 | 8200826173 | 30/3079 | 8201010930 | 30/2523 |
| 8200733829 | 30/1731 | 8200826173* | 30/2401 | 8201010930* | 30/7064 |
| 8200733829* | 30/1841 | 8200843592 | 30/3082 | 8201010931 | 30/2522 |
| 8200733832 | 30/7060 | 8200843592* | 30/1406 | 8201010931* | 30/7063 |
| 8200733833 | 30/7059 | 8200843597 | 30/1405C | 8201010934 | 30/1017CK |
| 8200748375 | 30/2825 | 8200843597 | 30/3083 | 8201010934* | 30/2416 |
| 8200748375 | 30/1090 | 8200843597* | 30/1405 | 8201010934* | 30/1047 |
| 8200748377 | 30/3084 | 8200884403* | 30/1346 | 8201010935 | 30/1018CK |
| 8200748377* | 30/1089 | 8200901099 | 30/1350 | 8201010935* | 30/2417 |
| 8200748379 | 30/3085 | 8200901099* | 30/1346 | 8201010935* | 30/1048 |
| 8200748379 | 30/2953C | 8200901102 | 30/1349 | 8201010936 | 30/1015CK |
| 8200748379* | 30/2421 | 8200901102* | 30/1345 | 8201010936* | 30/2415 |
| 8200748379* | 30/1088 | 8200901104 | 30/1348 | 8201010936* | 30/1029 |

TAVOLE DI COMPARAZIONE / CROSS REFERENCE GUIDE

Alzacristalli / Window



| Rif. adattabilità Compatible OEM ref. | Ns. rif. Our Ref. | Rif. adattabilità Compatible OEM ref. | Ns. rif. Our Ref. | Rif. adattabilità Compatible OEM ref. | Ns. rif. Our Ref. |
|--|----------------------|--|----------------------|--|----------------------|
| 8201010937 | 30/1016CK | 82377111 | 30/761 | 824021Y310 | 30/2070 |
| 8201010937* | 30/2414 | 82377111 | 30/761 | 824021Y310* | 30/2366 |
| 8201010937* | 30/1030 | 82377112 | 30/762 | 8240222000* | 30/7120 |
| 8201264452 | 30/1376C | 82377112 | 30/762 | 8240222000* | 30/7112 |
| 8201264452* | 30/2397 | 82377112 | 30/762 | 824022K000 | 30/2204 |
| 8201264452* | 30/1376 | 824010N010 | 30/2564 | 824022P010 | 30/1968 |
| 8201264454 | 30/1375C | 824010N010* | 30/2562 | 824022Y000* | 30/2214 |
| 8201264454* | 30/2396 | 824011G010 | 30/2564 | 824023E003* | 30/1796 |
| 8201264454* | 30/1375 | 824011G010* | 30/2562 | 824024A010 | 30/7124 |
| 820126447* | 30/2395 | 824011P000* | 30/1865 | 8240302000 | 30/1931 |
| 820126447* | 30/1351 | 824011P000* | 30/1865 | 8240302000* | 30/1476 |
| 8201264472* | 30/2398 | 824011W020* | 30/1907 | 8240302010 | 30/1931 |
| 8201264472* | 30/7309 | 824011Y010* | 30/1905 | 8240302010* | 30/1476 |
| 8201264475 | 30/1016CK | 824011Y310 | 30/2071 | 8240307010 | 30/2944 |
| 8201264475* | 30/2414 | 824011Y310* | 30/2367 | 824030X010 | 30/2728 |
| 8201264475* | 30/1030 | 8240122000* | 30/7119 | 824030X010* | 30/1621 |
| 8201264478* | 30/2395 | 8240122000* | 30/7111 | 8240317010 | 30/3114 |
| 8201264478* | 30/1351 | 8240122200* | 30/7117 | 824031C010* | 30/1843 |
| 8201264485 | 30/1018CK | 824012K000 | 30/2205 | 824031F010* | 30/3056 |
| 8201264485* | 30/2417 | 824012P010 | 30/1969 | 824031J010* | 30/1623 |
| 8201264485* | 30/1048 | 824012Y000* | 30/2215 | 8240322010* | 30/7119 |
| 8201264490 | 30/1017CK | 824013E002* | 30/1797 | 8240322210* | 30/7117 |
| 8201264490* | 30/2416 | 824014A010 | 30/7123 | 8240325010 | 30/2592 |
| 8201264490* | 30/1047 | 824020N010* | 30/2561 | 8240325010* | 30/7113 |
| 8201264495 | 30/1057CK | 824021G010 | 30/2563 | 8240325210* | 30/7111 |
| 8201264495* | 30/2391 | 824021G010* | 30/2561 | 8240329010* | 30/7129 |
| 8201264500 | 30/1058CK | 824021P000* | 30/1864 | 8240329011* | 30/7129 |
| 8201264500* | 30/2390 | 824021P000* | 30/1864 | 8240329012* | 30/7129 |
| 8201264500* | 30/1058 | 824021W010* | 30/1906 | 824032C000* | 30/1478 |
| 82377111 | 30/761 | 824021Y010* | 30/1904 | 82403B4010 | 30/2459 |

TAVOLE DI COMPARAZIONE / CROSS REFERENCE GUIDE

Alzacristalli / Window



| Rif. adattabilità Compatible OEM ref. | Ns. rif. Our Ref. | Rif. adattabilità Compatible OEM ref. | Ns. rif. Our Ref. | Rif. adattabilità Compatible OEM ref. | Ns. rif. Our Ref. |
|--|----------------------|--|----------------------|--|----------------------|
| 82403B4010* | 30/2327 | 82404C7010 | 30/2368 | 824501H010 | 30/2419 |
| 82403B4110 | 30/2459 | 82404J9000 | 30/2781 | 824501H010* | 30/1637C |
| 82403B4110* | 30/2327 | 82404J9000* | 30/2879 | 824501H300* | 30/2269 |
| 82403C7010 | 30/2369 | 824052E000 | 30/2968 | 824501Y000* | 30/2367 |
| 82403J9000 | 30/2782 | 824062E000 | 30/2969 | 824501Y000* | 30/1905 |
| 82403J9000* | 30/2880 | 824074B010* | 30/7125 | 824502B000* | 30/1625 |
| 8240402000 | 30/1930 | 824084B010* | 30/7126 | 824502C000* | 30/1478 |
| 8240402000* | 30/1475 | 82415679 | 30/676 | 824503E000* | 30/1797 |
| 8240402010 | 30/1930 | 82415679 | 30/676 | 824503W010 | 30/2429 |
| 8240402010* | 30/1475 | 82415680 | 30/677 | 824503W010* | 30/1971C |
| 8240407010 | 30/2943 | 82415680 | 30/677 | 82450B4000* | 30/2327 |
| 824040X010* | 30/1620 | 8243043010* | 30/7125 | 82450J9000* | 30/2880 |
| 8240417010 | 30/3115 | 8243043011* | 30/7125 | 82450J9000* | 30/2882 |
| 824041C010* | 30/1842 | 82438387 | 30/676 | 82457194 | 30/676 |
| 824041F010* | 30/3055 | 82438387 | 30/676 | 82457194 | 30/676 |
| 824041J010* | 30/1622 | 82438388 | 30/677 | 82457197 | 30/677 |
| 8240422010* | 30/7120 | 82438388 | 30/677 | 82457197 | 30/677 |
| 8240422210* | 30/7118 | 8244043010* | 30/7126 | 824601H000* | 30/7160 |
| 8240422220* | 30/7118 | 8244043011* | 30/7126 | 824601H010 | 30/2418 |
| 8240425010 | 30/2591 | 82445498 | 30/761 | 824601H010* | 30/1636C |
| 8240425010* | 30/7114 | 82445498 | 30/761 | 824601H300* | 30/2268 |
| 8240425210* | 30/7112 | 82445498 | 30/761 | 824601Y000* | 30/2366 |
| 8240429010* | 30/7130 | 82445499 | 30/762 | 824601Y000* | 30/1904 |
| 8240429011* | 30/7130 | 82445499 | 30/762 | 824602B000* | 30/1624 |
| 8240429012* | 30/7130 | 82445499 | 30/762 | 824602C000* | 30/1477 |
| 824042C000* | 30/1477 | 82448842 | 30/676 | 824603E000* | 30/1796 |
| 82404B4010 | 30/2458 | 82448842 | 30/676 | 824603E000* | 30/1798 |
| 82404B4010* | 30/2326 | 82448843 | 30/677 | 824603W000 | 30/2428 |
| 82404B4110 | 30/2458 | 82448843 | 30/677 | 824603W000* | 30/1970C |
| 82404B4110* | 30/2326 | 824501H000* | 30/7159 | 82460B4000* | 30/2326 |

TAVOLE DI COMPARAZIONE / CROSS REFERENCE GUIDE

Alzacristalli / Window



| Rif. adattabilità Compatible OEM ref. | Ns. rif. Our Ref. | Rif. adattabilità Compatible OEM ref. | Ns. rif. Our Ref. | Rif. adattabilità Compatible OEM ref. | Ns. rif. Our Ref. |
|--|----------------------|--|----------------------|--|----------------------|
| 82460J9000* | 30/2879 | 824811H000* | 30/1637C | 8270070J00 | 30/7240 |
| 82460J9000* | 30/2881 | 824811H000* | 30/1636C | 8270071J00 | 30/7240 |
| 824711H000 | 30/1637 | 824811H300 | 30/2266 | 8270073J00 | 30/7240 |
| 824711H000* | 30/7159 | 824811H300* | 30/2268 | 827008F300 | 30/1594 |
| 824711H000* | 30/1637C | 824811K000* | 30/1864 | 827009380R* | 30/1986 |
| 824711H300 | 30/2267 | 824811K000* | 30/1864 | 827009F500 | 30/7244 |
| 824711H300* | 30/2269 | 824812B000 | 30/1630 | 827009U00B | 30/2312 |
| 824711K000* | 30/1865 | 824812B000* | 30/1624 | 82700AV610 | 30/7246 |
| 824711K000* | 30/1865 | 824812B000AS | 30/1630 | 82700AV610* | 30/1431 |
| 824712B000 | 30/1631 | 824812B000AS* | 30/1624 | 82700AV710 | 30/7248 |
| 824712B000* | 30/1625 | 824812L000 | 30/1626 | 82700EB300* | 30/2801 |
| 824712B000AS | 30/1631 | 824812L001 | 30/1918 | 82700EB315* | 30/2803 |
| 824712B000AS* | 30/1625 | 824812R000 | 30/1626 | 82700EB315* | 30/7226 |
| 824712L000 | 30/1627 | 824813U000 | 30/1970 | 82700EY11A | 30/2488 |
| 824712L001 | 30/1919 | 824813U000* | 30/1970C | 82700JD400 | 30/2488 |
| 824712R000 | 30/1627 | 827000001R | 30/1391 | 82700JD400 | 30/1361 |
| 824713U000 | 30/1971 | 827000F600 | 30/1594 | 82700JD40A | 30/1361 |
| 824713U000* | 30/1971C | 827000F60B | 30/1594 | 827010001R | 30/1392 |
| 82474926 | 30/676 | 827000F610 | 30/1594 | 827010F600 | 30/1595 |
| 82474926 | 30/676 | 8270026J00* | 30/7234 | 827010F60B | 30/1595 |
| 82474927 | 30/677 | 827002F000 | 30/7244 | 827010F610 | 30/1595 |
| 82474927 | 30/677 | 827002F002 | 30/7244 | 8270126J00* | 30/7233 |
| 82476226 | 30/761 | 827002F010 | 30/7244 | 827012973R* | 30/1987 |
| 82476226 | 30/761 | 827002X400 | 30/1594 | 827012F000 | 30/7243 |
| 82476226 | 30/761 | 8270032J00* | 30/7234 | 827012F002 | 30/7243 |
| 82476227 | 30/762 | 827003X00A* | 30/2801 | 827012F010 | 30/7243 |
| 82476227 | 30/762 | 827003X30A* | 30/2803 | 827012X400 | 30/1595 |
| 82476227 | 30/762 | 827003X30A* | 30/7226 | 8270132J00* | 30/7233 |
| 824811H000 | 30/1636 | 827004EA0A | 30/7252 | 827013X00A* | 30/2802 |
| 824811H000* | 30/7160 | 827004EA0A | 30/7252 | 827013X30A* | 30/2804 |

TAVOLE DI COMPARAZIONE / CROSS REFERENCE GUIDE

Alzacristalli / Window



| Rif. adattabilità Compatible OEM ref. | Ns. rif. Our Ref. | Rif. adattabilità Compatible OEM ref. | Ns. rif. Our Ref. | Rif. adattabilità Compatible OEM ref. | Ns. rif. Our Ref. |
|--|----------------------|--|----------------------|--|----------------------|
| 827013X30A* | 30/7225 | 827205FA6A | 30/2929 | 827215FA6A | 30/2930 |
| 827014EA0A | 30/7251 | 827205FA6A* | 30/1586 | 827215FA6A* | 30/1587 |
| 827014EA0A | 30/7251 | 827206FR0A* | 30/2314 | 827216769R | 30/1723 |
| 8270170J00 | 30/7239 | 827207007R | 30/1728 | 827216FR0A* | 30/2315 |
| 8270171J00 | 30/7239 | 827208148R | 30/1722 | 827218H300* | 30/2356 |
| 8270173J00 | 30/7239 | 827208348R | 30/7060 | 827218H30A* | 30/2356 |
| 827018F300 | 30/1595 | 827208597R | 30/2893 | 827219U110 | 30/251B |
| 827019F500 | 30/7243 | 827208597R* | 30/2933 | 827219U11B | 30/251B |
| 827019U000 | 30/2313 | 827208H300* | 30/2355 | 82721JY00A | 30/1729 |
| 827019U00B | 30/2313 | 827208H30A* | 30/2355 | 8273006J00* | 30/7232 |
| 82701AV610 | 30/7245 | 827209U110 | 30/251 | 8273006J05* | 30/7232 |
| 82701AV610* | 30/1432 | 827209U11B | 30/251 | 8273006J05* | 30/7234 |
| 82701AV710 | 30/7247 | 82720JY00A | 30/1728 | 827301BA0A* | 30/2314 |
| 82701EB300* | 30/2802 | 827210003R | 30/1420 | 827301HB0A* | 30/1459 |
| 82701EB315* | 30/2804 | 827210006R | 30/1723 | 827301HB1A* | 30/1459 |
| 82701EB315* | 30/7225 | 827210154R | 30/2864 | 82730CV01A* | 30/1587 |
| 82701EY11A | 30/2489 | 827210622R | 30/2894 | 82730CV01B* | 30/1587 |
| 82701JD400 | 30/2489 | 827210622R* | 30/2934 | 82730CV01C* | 30/1587 |
| 82701JD400 | 30/1362 | 827211875R | 30/7059 | 82730EB300* | 30/2801 |
| 82701JD40A | 30/1362 | 827211U600* | 30/1587 | 82730EB315* | 30/7226 |
| 827200003R | 30/1419 | 827213658R | 30/2868 | 8273106J00* | 30/7231 |
| 827200006R | 30/1722 | 827213755* | 30/2394 | 8273106J05* | 30/7231 |
| 827201983R | 30/2867 | 827213755* | 30/1352 | 8273106J05* | 30/7233 |
| 827201U600* | 30/1586 | 827213755R* | 30/2394 | 827311BA0A* | 30/2315 |
| 827204540R | 30/2863 | 827213755R* | 30/1352 | 827311HB0A* | 30/1460 |
| 827204CA0A* | 30/2314 | 827214390R | 30/1729 | 827311HB1A* | 30/1460 |
| 827205FA5A | 30/2927 | 827214CA0A* | 30/2315 | 82731CV01A* | 30/1586 |
| 827205FA5A | 30/2929 | 827215FA5A | 30/2928 | 82731CV01B* | 30/1586 |
| 827205FA5A* | 30/1586 | 827215FA5A | 30/2930 | 82731CV01C* | 30/1586 |
| 827205FA6A | 30/2927 | 827215FA6A | 30/2928 | 82731EB300* | 30/2802 |

TAVOLE DI COMPARAZIONE / CROSS REFERENCE GUIDE

Alzacristalli / Window



| Rif. adattabilità Compatible OEM ref. | Ns. rif. Our Ref. | Rif. adattabilità Compatible OEM ref. | Ns. rif. Our Ref. | Rif. adattabilità Compatible OEM ref. | Ns. rif. Our Ref. |
|--|----------------------|--|----------------------|--|----------------------|
| 82731EB315* | 30/7225 | 8340162A00000 | 30/2124 | 83401M68K10000* | 30/1878 |
| 8340107010* | 30/3010 | 8340165D10000 | 30/1168 | 83401M68K11 | 30/7358 |
| 8340107011 | 30/3012 | 8340165J01000* | 30/3095 | 83401M68K11* | 30/1878 |
| 8340107011* | 30/3010 | 8340167D10000 | 30/1168 | 83401M68K12 | 30/7358 |
| 834011P010 | 30/1867 | 8340176G00000* | 30/3073 | 83401M68K12000 | 30/7358 |
| 834011P010 | 30/1867 | 8340179J10000 | 30/1469 | 83401M68K12000* | 30/1878 |
| 834011W000 | 30/1909 | 8340179J10000 | 30/1469 | 8340207010* | 30/3009 |
| 834011W010 | 30/1909 | 8340179J10000 | 30/1469 | 8340207011 | 30/3011 |
| 834011W010 | 30/1908 | 8340179J11000 | 30/1469 | 8340207011* | 30/3009 |
| 8340125000* | 30/7115 | 8340179J11000 | 30/1469 | 834021P010 | 30/1866 |
| 8340129000* | 30/7131 | 8340179J11000 | 30/1469 | 834021P010 | 30/1866 |
| 834012K000 | 30/2207 | 8340179J12000 | 30/1469 | 834021W000 | 30/1908 |
| 834012P000 | 30/2694 | 8340179J12000 | 30/1469 | 8340225000* | 30/7116 |
| 834012Y000 | 30/2199 | 8340179J12000 | 30/1469 | 8340229000* | 30/7132 |
| 834012Y000* | 30/2201 | 8340181A10000 | 30/1988 | 834022K000 | 30/2206 |
| 834013E000* | 30/1799 | 8340181A10000* | 30/2134 | 834022P000 | 30/2693 |
| 834013E001* | 30/1799 | 8340181G00000* | 30/3073 | 834022Y000 | 30/2198 |
| 834013E002* | 30/1799 | 8340183E10 | 30/853 | 834022Y000* | 30/2200 |
| 8340152R00000 | 30/2755 | 8340183E10 | 30/853 | 834023E000* | 30/1798 |
| 8340152R01000 | 30/2755 | 8340183E11 | 30/853 | 834023E002* | 30/1798 |
| 8340154P00000* | 30/2711 | 8340183E11 | 30/853 | 834023E003* | 30/1798 |
| 8340154P01000* | 30/2711 | 8340183E11000 | 30/853 | 8340252R10000 | 30/2756 |
| 8340154P02000* | 30/2711 | 8340183E11000 | 30/853 | 8340252R11000 | 30/2756 |
| 8340157B00000 | 30/1164 | 834018E70 | 30/7350 | 8340254P02* | 30/2712 |
| 8340160B10000 | 30/7350 | 834018E70 | 30/7350 | 8340254P10000* | 30/2712 |
| 8340160B10000 | 30/7350 | 834018G10* | 30/3073 | 8340254P11000* | 30/2712 |
| 8340160B11000 | 30/7350 | 83401A62A00 | 30/2124 | 8340254P12000* | 30/2712 |
| 8340160B11000 | 30/7350 | 83401M68K10 | 30/7358 | 8340257B00000 | 30/1165 |
| 8340160G00000 | 30/2749 | 83401M68K10* | 30/1878 | 8340260B10000 | 30/7349 |
| 8340160G01000 | 30/2749 | 83401M68K10000 | 30/7358 | 8340260B10000 | 30/7349 |

TAVOLE DI COMPARAZIONE / CROSS REFERENCE GUIDE

Alzacristalli / Window



| Rif. adattabilità Compatible OEM ref. | Ns. rif. Our Ref. | Rif. adattabilità Compatible OEM ref. | Ns. rif. Our Ref. | Rif. adattabilità Compatible OEM ref. | Ns. rif. Our Ref. |
|--|----------------------|--|----------------------|--|----------------------|
| 8340260B11000 | 30/7349 | 83402M68K10* | 30/1879 | 83404C7010 | 30/2370 |
| 8340260B11000 | 30/7349 | 83402M68K10000 | 30/7357 | 83404J9000 | 30/2939 |
| 8340260G00000 | 30/2750 | 83402M68K10000* | 30/1879 | 83404J9000* | 30/2881 |
| 8340260G01000 | 30/2750 | 83402M68K11 | 30/7357 | 834052E000 | 30/2988 |
| 8340262A00000 | 30/2125 | 83402M68K11* | 30/1879 | 834062E000 | 30/2987 |
| 8340265D10000 | 30/1169 | 83402M68K12 | 30/7357 | 8341062B00000* | 30/3073 |
| 8340265J01000* | 30/3094 | 83402M68K12* | 30/1879 | 8341063J10000* | 30/3043 |
| 8340267D10000 | 30/1169 | 83402M68K12000 | 30/7357 | 8341063J30000* | 30/3043 |
| 8340279J10000 | 30/1470 | 83402M68K12000* | 30/1879 | 8341063J50000* | 30/3043 |
| 8340279J10000 | 30/1470 | 8340307010* | 30/3010 | 8341065E00000* | 30/3073 |
| 8340279J10000 | 30/1470 | 8340317010 | 30/3066 | 8341065E01000* | 30/3073 |
| 8340279J11000 | 30/1470 | 8340317010* | 30/3068 | 8341079J10000 | 30/2168 |
| 8340279J11000 | 30/1470 | 834031C010* | 30/2217 | 8341079J10000 | 30/2168 |
| 8340279J11000 | 30/1470 | 834031J010* | 30/7127 | 8341079J10000 | 30/2168 |
| 8340279J12000 | 30/1470 | 8340325010* | 30/7115 | 8341079J11000 | 30/2168 |
| 8340279J12000 | 30/1470 | 8340329010* | 30/7131 | 8341079J11000 | 30/2168 |
| 8340279J12000 | 30/1470 | 8340329011* | 30/7131 | 8341079J11000 | 30/2168 |
| 8340280E70 | 30/7349 | 83403B9010 | 30/3018 | 8341080E00000* | 30/3073 |
| 8340280E70 | 30/7349 | 83403C7010 | 30/2371 | 8341080E80 | 30/7350 |
| 8340281A10000 | 30/1989 | 83403J9000 | 30/2940 | 8341080E80 | 30/7350 |
| 8340281A10000* | 30/2135 | 83403J9000* | 30/2882 | 8341081A10000* | 30/2134 |
| 8340281G00000* | 30/3074 | 8340407010* | 30/3009 | 8342081A10000* | 30/2135 |
| 8340283E10 | 30/854 | 8340417010 | 30/3065 | 8343081A10 | 30/1988 |
| 8340283E10 | 30/854 | 8340417010* | 30/3067 | 8344060B11 | 30/7349 |
| 8340283E11 | 30/854 | 834041C010* | 30/2216 | 8344060B11 | 30/7349 |
| 8340283E11 | 30/854 | 834041J010* | 30/7128 | 8344062B00000* | 30/3074 |
| 8340283E11000 | 30/854 | 8340425010* | 30/7116 | 8344063J10000* | 30/3044 |
| 8340283E11000 | 30/854 | 8340429010* | 30/7132 | 8344065E00000* | 30/3074 |
| 83402A62A00 | 30/2125 | 8340429011* | 30/7132 | 8344065E01000* | 30/3074 |
| 83402M68K10 | 30/7357 | 83404B9010 | 30/3017 | 8344079J10000 | 30/2169 |

TAVOLE DI COMPARAZIONE / CROSS REFERENCE GUIDE

Alzacristalli / Window



| Rif. adattabilità Compatible OEM ref. | Ns. rif. Our Ref. | Rif. adattabilità Compatible OEM ref. | Ns. rif. Our Ref. | Rif. adattabilità Compatible OEM ref. | Ns. rif. Our Ref. |
|--|----------------------|--|----------------------|--|----------------------|
| 8344079J10000 | 30/2169 | 834812L010 | 30/1628 | 8351051K00000 | 30/7258 |
| 8344079J10000 | 30/2169 | 834813U000 | 30/1998 | 8354051K00000 | 30/7257 |
| 8344079J11000 | 30/2169 | 834813U000* | 30/2000 | 8354051K00000 | 30/7257 |
| 8344079J11000 | 30/2169 | 8350152R00000 | 30/2787 | 83560M75J01 | 30/7358 |
| 8344079J11000 | 30/2169 | 8350154P10000 | 30/2785 | 83560M75J01* | 30/1878 |
| 8344080E00000* | 30/3074 | 8350157B00000 | 30/1166 | 84225944* | 30/2660 |
| 8344080E80 | 30/7349 | 8350162R10000* | 30/3019 | 84225953* | 30/2659 |
| 8344080E80 | 30/7349 | 8350165D10000 | 30/1170 | 84225998* | 30/2660 |
| 8344081G10* | 30/3074 | 8350165J00000* | 30/3027 | 84226000* | 30/2659 |
| 83440M68K10 | 30/7357 | 8350165J01000* | 30/3027 | 85626406011 | 30/281B |
| 83440M68K10* | 30/1879 | 8350179J10000 | 30/1471 | 85626406012 | 30/281 |
| 834502B000* | 30/7133 | 8350179J10000 | 30/1471 | 8571012220* | 30/7376 |
| 834502S000* | 30/2201 | 8350179J11000 | 30/1471 | 8571012230* | 30/7389 |
| 834503E000* | 30/1797 | 8350179J11000 | 30/1471 | 8571035180* | 30/2174 |
| 834503E000* | 30/1799 | 8350179J12000 | 30/1471 | 8571035180* | 30/2773 |
| 834503W000* | 30/2001 | 8350179J12000 | 30/1471 | 8571035180* | 30/2784 |
| 834602B000* | 30/7134 | 8350252R00000 | 30/2788 | 8571035180* | 30/2989 |
| 834602S000* | 30/2200 | 8350254P10000 | 30/2786 | 8571042070* | 30/1746 |
| 834603E000* | 30/1796 | 8350257B00000 | 30/1167 | 8571042070* | 30/7389 |
| 834603W000* | 30/2000 | 8350262R10000* | 30/3020 | 8571052020* | 30/7393 |
| 8346081A10 | 30/1989 | 8350265D10000 | 30/1171 | 8571052030* | 30/1508 |
| 834711H000 | 30/1639 | 8350265J00000* | 30/3028 | 8571052030* | 30/1742 |
| 834712B000 | 30/1633 | 8350265J01000* | 30/3028 | 8571074020* | 30/1750 |
| 834712B000* | 30/7133 | 8350279J10000 | 30/1472 | 8571087401* | 30/1598 |
| 834712L010 | 30/1629 | 8350279J10000 | 30/1472 | 8571087601000* | 30/2162 |
| 834713U000 | 30/1999 | 8350279J11000 | 30/1472 | 8571087601000* | 30/2162 |
| 834713U000* | 30/2001 | 8350279J11000 | 30/1472 | 8572012220* | 30/7375 |
| 834811H000 | 30/1638 | 8350279J12000 | 30/1472 | 8572032150* | 30/1747 |
| 834812B000 | 30/1632 | 8350279J12000 | 30/1472 | 8572032150* | 30/7390 |
| 834812B000* | 30/7134 | 8351051K00000 | 30/7258 | 8572035140* | 30/2175 |

TAVOLE DI COMPARAZIONE / CROSS REFERENCE GUIDE

Alzacristalli / Window



| Rif. adattabilità Compatible OEM ref. | Ns. rif. Our Ref. | Rif. adattabilità Compatible OEM ref. | Ns. rif. Our Ref. | Rif. adattabilità Compatible OEM ref. | Ns. rif. Our Ref. |
|--|----------------------|--|----------------------|--|----------------------|
| 8572035140* | 30/2774 | 8810021012* | 30/2220 | 8A61A23209AE | 30/1464 |
| 8572035140* | 30/2783 | 8810021012* | 30/7346 | 8A61B23209AB | 30/1468 |
| 8572035140* | 30/2990 | 8810021014* | 30/2220 | 8D0837461 | 30/1036 |
| 8572052010* | 30/7394 | 8810021014* | 30/7346 | 8D0837461* | 30/7015 |
| 8572052020* | 30/1509 | 8811035000* | 30/2896 | 8D0837462 | 30/1035 |
| 8572074010* | 30/1751 | 8813035000* | 30/2895 | 8D0837462* | 30/7016 |
| 8572087401* | 30/1599 | 8814035000* | 30/2898 | 8D0839461 | 30/1384 |
| 8572087601000* | 30/2163 | 8815035000* | 30/2897 | 8D0839461* | 30/7017 |
| 8572087601000* | 30/2163 | 893837397A* | 30/7007 | 8D0839462 | 30/1383 |
| 8575052020* | 30/1743 | 893837397B* | 30/7007 | 8D0839462* | 30/7018 |
| 8626322 | 30/1255 | 893837398A* | 30/7008 | 8D0959801B* | 30/7015 |
| 8626323 | 30/1254 | 893837398B* | 30/7008 | 8D0959801D* | 30/7015 |
| 8626847 | 30/1253 | 893959801D* | 30/7007 | 8D0959801E* | 30/7017 |
| 8626848 | 30/1252 | 893959802D* | 30/7008 | 8D0959801F* | 30/7015 |
| 8626964 | 30/1253 | 8970935310 | 30/7136 | 8D0959801G* | 30/7017 |
| 8626965 | 30/1252 | 8970935310 | 30/7136 | 8D0959802B* | 30/7016 |
| 8810009001* | 30/7344 | 8970935320 | 30/7135 | 8D0959802C* | 30/7018 |
| 8810009002* | 30/7344 | 8970935320 | 30/7135 | 8D0959802D* | 30/7016 |
| 8810009011* | 30/7342 | 8971658810 | 30/7136 | 8D0959802E* | 30/7018 |
| 8810009012* | 30/7342 | 8971658810 | 30/7136 | 8D0959802F* | 30/7016 |
| 8810009111* | 30/2220 | 8971658820 | 30/7135 | 8D0959802G* | 30/7018 |
| 8810009111* | 30/7346 | 8971658820 | 30/7135 | 8E0837461 | 30/998 |
| 8810021001* | 30/2221 | 8978681132 | 30/2328 | 8E0837461 | 30/998 |
| 8810021001* | 30/7345 | 8978681142 | 30/2329 | 8E0837461A | 30/998 |
| 8810021002* | 30/2221 | 8980935531 | 30/3148 | 8E0837461A | 30/998 |
| 8810021002* | 30/7345 | 8980935561 | 30/3148 | 8E0837461B | 30/998 |
| 8810021004* | 30/2221 | 8981670890 | 30/3143 | 8E0837461B | 30/998 |
| 8810021004* | 30/7345 | 8981670900 | 30/3142 | 8E0837461C | 30/998 |
| 8810021011* | 30/2220 | 8A61A23208AE | 30/1463 | 8E0837461C | 30/998 |
| 8810021011* | 30/7346 | 8A61A23208BG | 30/1465 | 8E0837462 | 30/997 |

TAVOLE DI COMPARAZIONE / CROSS REFERENCE GUIDE

Alzacristalli / Window



| Rif. adattabilità Compatible OEM ref. | Ns. rif. Our Ref. | Rif. adattabilità Compatible OEM ref. | Ns. rif. Our Ref. | Rif. adattabilità Compatible OEM ref. | Ns. rif. Our Ref. |
|--|----------------------|--|----------------------|--|----------------------|
| 8E0837462 | 30/997 | 8J0837462C | 30/1564 | 8P3837461C | 30/1133 |
| 8E0837462A | 30/997 | 8J0837462D | 30/1564 | 8P3837462 | 30/1132 |
| 8E0837462A | 30/997 | 8J0837462E | 30/1564 | 8P3837462A | 30/1132 |
| 8E0837462B | 30/997 | 8K0837461 | 30/1408 | 8P3837462B | 30/1132 |
| 8E0837462B | 30/997 | 8K0837461C | 30/1408 | 8P3837462C | 30/1132 |
| 8E0837462C | 30/997 | 8K0837462 | 30/1407 | 8P4837461 | 30/1135 |
| 8E0837462C | 30/997 | 8K0837462C | 30/1407 | 8P4837461A | 30/1135 |
| 8E0839461 | 30/1209 | 8K0839461 | 30/1434 | 8P4837461B | 30/1135 |
| 8E0839461 | 30/1209 | 8K0839461A | 30/1434 | 8P4837461C | 30/1135 |
| 8E0839461A | 30/1209 | 8K0839461C | 30/1434 | 8P4837462 | 30/1134 |
| 8E0839461A | 30/1209 | 8K0839462 | 30/1433 | 8P4837462A | 30/1134 |
| 8E0839461B | 30/1209 | 8K0839462A | 30/1433 | 8P4837462B | 30/1134 |
| 8E0839461B | 30/1209 | 8K0839462C | 30/1433 | 8P4837462C | 30/1134 |
| 8E0839461C | 30/1209 | 8K0959801C | 30/7013 | 8P4839461 | 30/1293 |
| 8E0839461C | 30/1209 | 8K0959801C* | 30/1557 | 8P4839461A | 30/1293 |
| 8E0839462 | 30/1208 | 8K0959802C | 30/7014 | 8P4839461B | 30/1293 |
| 8E0839462 | 30/1208 | 8K0959802C* | 30/1556 | 8P4839462 | 30/1292 |
| 8E0839462A | 30/1208 | 8L3837461 | 30/1125 | 8P4839462A | 30/1292 |
| 8E0839462A | 30/1208 | 8L3837462 | 30/1124 | 8P4839462B | 30/1292 |
| 8E0839462B | 30/1208 | 8L4837461 | 30/1364 | 8R0837461B | 30/1611 |
| 8E0839462B | 30/1208 | 8L4837462 | 30/1363 | 8R0837461D | 30/1611 |
| 8E0839462C | 30/1208 | 8L4839461 | 30/1569 | 8R0837461F | 30/1611 |
| 8E0839462C | 30/1208 | 8L4839462 | 30/1568 | 8R0837461G | 30/1611 |
| 8J0837461A | 30/1565 | 8N0837461 | 30/1295 | 8R0837461H | 30/1611 |
| 8J0837461B | 30/1565 | 8N0837462 | 30/1294 | 8R0837461J | 30/1611 |
| 8J0837461C | 30/1565 | 8N8837461 | 30/1295 | 8R0837461K | 30/1611 |
| 8J0837461D | 30/1565 | 8N8837462 | 30/1294 | 8R0837462B | 30/1610 |
| 8J0837461E | 30/1565 | 8P3837461 | 30/1133 | 8R0837462F | 30/1610 |
| 8J0837462A | 30/1564 | 8P3837461A | 30/1133 | 8R0837462G | 30/1610 |
| 8J0837462B | 30/1564 | 8P3837461B | 30/1133 | 8R0837462H | 30/1610 |

TAVOLE DI COMPARAZIONE / CROSS REFERENCE GUIDE

Alzacristalli / Window



| Rif. adattabilità Compatible OEM ref. | Ns. rif. Our Ref. | Rif. adattabilità Compatible OEM ref. | Ns. rif. Our Ref. | Rif. adattabilità Compatible OEM ref. | Ns. rif. Our Ref. |
|--|----------------------|--|----------------------|--|----------------------|
| 8R0837462J | 30/1610 | 8U0839462 | 30/1838 | 8W8839462 | 30/2679 |
| 8R0837462K | 30/1610 | 8V4837461 | 30/1921 | 8X3837461 | 30/1440 |
| 8R0839461B | 30/1641 | 8V4837462 | 30/1920 | 8X3837461* | 30/1557 |
| 8R0839461D | 30/1641 | 8V4839461 | 30/1923 | 8X3837461A | 30/1440 |
| 8R0839461E | 30/1641 | 8V4839462 | 30/1922 | 8X3837461A* | 30/1557 |
| 8R0839462B | 30/1640 | 8W0837461 | 30/2716 | 8X3837462 | 30/1439 |
| 8R0839462D | 30/1640 | 8W0837461A | 30/2716 | 8X3837462* | 30/1556 |
| 8R0839462E | 30/1640 | 8W0837462 | 30/2715 | 8X3837462A | 30/1439 |
| 8T0837461 | 30/2265 | 8W0837462A | 30/2715 | 8X3837462A* | 30/1556 |
| 8T0837461B | 30/2265 | 8W0839461 | 30/2714 | 8X4837461 | 30/1979 |
| 8T0837462 | 30/2264 | 8W0839461A | 30/2714 | 8X4837461A | 30/1979 |
| 8T0837462B | 30/2264 | 8W0839462 | 30/2713 | 8X4837462 | 30/1978 |
| 8T0898461 | 30/2265 | 8W0839462A | 30/2713 | 8X4837462A | 30/1978 |
| 8T8837461 | 30/2121 | 8W6837461C | 30/2682 | 8X4839461 | 30/2275 |
| 8T8837461A | 30/2121 | 8W6837461D | 30/2682 | 8X4839461A | 30/2275 |
| 8T8837461B | 30/2121 | 8W6837462A | 30/2681 | 8X4839462 | 30/2274 |
| 8T8837462 | 30/2120 | 8W6837462B | 30/2681 | 8X4839462A | 30/2274 |
| 8T8837462A | 30/2120 | 8W6837462C | 30/2681 | 8Z0837461 | 30/1559 |
| 8T8837462B | 30/2120 | 8W6837462D | 30/2681 | 8Z0837462 | 30/1558 |
| 8T8839461 | 30/2277 | 8W7837461A | 30/2684 | 8Z0839461 | 30/2273 |
| 8T8839461A | 30/2277 | 8W7837461B | 30/2684 | 8Z0839461B | 30/2273 |
| 8T8839461B | 30/2277 | 8W7837461C | 30/2684 | 8Z0839462 | 30/2272 |
| 8T8839461C | 30/2277 | 8W7837461D | 30/2684 | 8Z0839462B | 30/2272 |
| 8T8839462 | 30/2276 | 8W7837462A | 30/2683 | 90139493 | 30/7277 |
| 8T8839462A | 30/2276 | 8W7837462B | 30/2683 | 90139494 | 30/7278 |
| 8T8839462B | 30/2276 | 8W7837462C | 30/2683 | 90186593 | 30/7029 |
| 8T8839462C | 30/2276 | 8W7837462D | 30/2683 | 90186593 | 30/7029 |
| 8U0837461 | 30/1837 | 8W8837461 | 30/2678 | 90186594 | 30/7030 |
| 8U0837462 | 30/1836 | 8W8837462 | 30/2677 | 90186594 | 30/7030 |
| 8U0839461 | 30/1839 | 8W8839461 | 30/2680 | 90186599 | 30/7029 |

TAVOLE DI COMPARAZIONE / CROSS REFERENCE GUIDE

Alzacristalli / Window



| Rif. adattabilità Compatible OEM ref. | Ns. rif. Our Ref. | Rif. adattabilità Compatible OEM ref. | Ns. rif. Our Ref. | Rif. adattabilità Compatible OEM ref. | Ns. rif. Our Ref. |
|--|----------------------|--|----------------------|--|----------------------|
| 90186599 | 30/7029 | 90459124* | 30/2298 | 90520249 | 30/2734 |
| 90186600 | 30/7030 | 90464333* | 30/7271 | 90520250 | 30/2733 |
| 90186600 | 30/7030 | 90481029* | 30/1709 | 90521871 | 30/252B |
| 90186661 | 30/7029 | 90481030* | 30/1708 | 90521872 | 30/252 |
| 90186661 | 30/7029 | 90481031* | 30/1709 | 90521877* | 30/1103 |
| 90186662 | 30/7030 | 90481032* | 30/1708 | 90521878* | 30/1102 |
| 90186662 | 30/7030 | 90481033* | 30/1709 | 90521881* | 30/1689 |
| 90389787* | 30/1707 | 90481775* | 30/1709 | 90521882* | 30/1688 |
| 90389788* | 30/1706 | 90481776* | 30/1708 | 9052881 | 30/89 |
| 90389789* | 30/1707 | 90481778* | 30/1706 | 9052882 | 30/90 |
| 90389790* | 30/1706 | 90486939* | 30/7261 | 90543917* | 30/7265 |
| 90389793* | 30/1707 | 90486939* | 30/1687 | 90543917* | 30/1689 |
| 90414724* | 30/7264 | 90486940* | 30/1686 | 90543918* | 30/7266 |
| 90442226* | 30/7259 | 90509777 | 30/2301 | 90543918* | 30/1688 |
| 90442226* | 30/7263 | 90509778 | 30/2300 | 90560432* | 30/1686 |
| 90442227* | 30/7260 | 90512643* | 30/7271 | 90579355* | 30/7283 |
| 90442227* | 30/7264 | 90512643* | 30/7273 | 90579356* | 30/7284 |
| 90442228* | 30/7261 | 90512644* | 30/7272 | 90579539* | 30/1189 |
| 90442228* | 30/1687 | 90512644* | 30/7274 | 90579540* | 30/1188 |
| 90442229* | 30/7262 | 90520189* | 30/1707 | 907217929R | 30/2342 |
| 90442229* | 30/1686 | 90520190* | 30/1706 | 9113363 | 30/2383 |
| 90444379* | 30/1709 | 90520193* | 30/1709 | 9113364 | 30/2382 |
| 90444380* | 30/1708 | 90520194* | 30/1708 | 9113364* | 30/1690 |
| 90444381* | 30/1667 | 90520210* | 30/1686 | 9113369 | 30/2383 |
| 90444381* | 30/1707 | 90520227* | 30/1689 | 9113369* | 30/1691 |
| 90444382* | 30/1666 | 90520227* | 30/7273 | 9113370 | 30/2382 |
| 90444382* | 30/1706 | 90520228* | 30/1688 | 91144856 | 30/7136 |
| 90451151* | 30/7263 | 90520228* | 30/7274 | 91144856 | 30/7136 |
| 90451153* | 30/1687 | 90520229* | 30/1249 | 91144857 | 30/7135 |
| 90459123* | 30/2299 | 90520230* | 30/1248 | 91144857 | 30/7135 |

TAVOLE DI COMPARAZIONE / CROSS REFERENCE GUIDE

Alzacristalli / Window



| Rif. adattabilità Compatible OEM ref. | Ns. rif. Our Ref. | Rif. adattabilità Compatible OEM ref. | Ns. rif. Our Ref. | Rif. adattabilità Compatible OEM ref. | Ns. rif. Our Ref. |
|--|----------------------|--|----------------------|--|----------------------|
| 9114705 | 30/2738 | 9160790 | 30/208B | 9206371 | 30/853 |
| 9114706 | 30/2737 | 9160790 | 30/208B | 9206373 | 30/854 |
| 91157978 | 30/7282 | 9160791 | 30/208 | 9206373 | 30/854 |
| 91157979 | 30/7281 | 9160791 | 30/208 | 9215910 | 30/853 |
| 91165704 | 30/888 | 9160791 | 30/208 | 9215910 | 30/853 |
| 91165704 | 30/888 | 9160791 | 30/208 | 9215911 | 30/854 |
| 91165704 | 30/888 | 9192629 | 30/2301 | 9215911 | 30/854 |
| 91165704* | 30/1845 | 9192630 | 30/2300 | 922166 | 30/681 |
| 91165704* | 30/1845 | 9196401 | 30/1426 | 922169* | 30/7289 |
| 91165704* | 30/1845 | 9196401* | 30/2752 | 922170* | 30/7287 |
| 91165705 | 30/887 | 9196401* | 30/1426C | 922176 | 30/273B |
| 91165705 | 30/887 | 9196401* | 30/1691 | 922180 | 30/681 |
| 91165705 | 30/887 | 9196402 | 30/1425 | 922182 | 30/852 |
| 91165705* | 30/1844 | 9196402* | 30/2751 | 922182 | 30/2816 |
| 91165705* | 30/1844 | 9196402* | 30/1425C | 922182 | 30/852 |
| 91165705* | 30/1844 | 9196402* | 30/1690 | 922182 | 30/2816 |
| 9118664 | 30/2133 | 9196410 | 30/1428 | 922184 | 30/864 |
| 9118664* | 30/7265 | 9196410* | 30/1426C | 922186 | 30/862 |
| 9118664* | 30/1689 | 9196410* | 30/2736 | 922189 | 30/745 |
| 9118664* | 30/7283 | 9196411 | 30/1427 | 922189 | 30/745 |
| 9118665 | 30/2132 | 9196411* | 30/1425C | 922189 | 30/745 |
| 9118665* | 30/7266 | 9196411* | 30/2735 | 922190 | 30/275B |
| 9118665* | 30/1688 | 9196411* | 30/1690 | 922190 | 30/275B |
| 9118665* | 30/7284 | 91ABA23200BF | 30/805 | 922190 | 30/275B |
| 9153597* | 30/1689 | 91ABA23201BF | 30/806 | 922195 | 30/791 |
| 9153597* | 30/7273 | 91ABB23200BE | 30/7080 | 9221A1 | 30/7055 |
| 9153598* | 30/1688 | 91ABB23201BF | 30/7079 | 9221A3 | 30/7057 |
| 9153598* | 30/7274 | 9203897 | 30/1253 | 9221A4 | 30/221B |
| 9160790 | 30/208B | 9203898 | 30/1252 | 9221A4 | 30/221B |
| 9160790 | 30/208B | 9206371 | 30/853 | 9221AP | 30/2454 |

TAVOLE DI COMPARAZIONE / CROSS REFERENCE GUIDE

Alzacristalli / Window



| Rif. adattabilità Compatible OEM ref. | Ns. rif. Our Ref. | Rif. adattabilità Compatible OEM ref. | Ns. rif. Our Ref. | Rif. adattabilità Compatible OEM ref. | Ns. rif. Our Ref. |
|--|----------------------|--|----------------------|--|----------------------|
| 9221AP | 30/2792 | 9221ES* | 30/1394 | 9221FF* | 30/1701 |
| 9221AQ | 30/938C | 9221ES* | 30/1394 | 9221FQ | 30/7037 |
| 9221AQ | 30/2844 | 9221EY | 30/916 | 9221FR* | 30/1450 |
| 9221AQ* | 30/2409 | 9221F0* | 30/7298 | 9221FT | 30/2123C |
| 9221AQ* | 30/938 | 9221F2 | 30/745 | 9221FT* | 30/2423 |
| 9221C1 | 30/864 | 9221F2 | 30/745 | 9221FT* | 30/2123 |
| 9221C3 | 30/862 | 9221F2 | 30/745 | 9221FW | 30/1543 |
| 9221C7 | 30/2223 | 9221F3 | 30/181B | 9221FX | 30/1543C |
| 9221C7 | 30/2794 | 9221F3 | 30/181B | 9221FX* | 30/1527 |
| 9221CR | 30/1289 | 9221F3 | 30/181B | 9221FY | 30/1785C |
| 9221CT | 30/2912 | 9221F4 | 30/850 | 9221FY* | 30/1785 |
| 9221CT | 30/2912 | 9221F4 | 30/2814 | 9221FZ* | 30/1446 |
| 9221CT | 30/2912 | 9221F4 | 30/850 | 9221G0 | 30/916 |
| 9221CV | 30/1199 | 9221F4 | 30/2814 | 9221G1 | 30/940 |
| 9221CV* | 30/1199C | 9221F5 | 30/852 | 9221G1* | 30/3086 |
| 9221CW | 30/1815 | 9221F5 | 30/2816 | 9221G2 | 30/940C |
| 9221CW | 30/2834 | 9221F5 | 30/852 | 9221G2* | 30/1412 |
| 9221CW* | 30/2860 | 9221F5 | 30/2816 | 9221G3 | 30/886 |
| 9221CX* | 30/2860 | 9221F6* | 30/1410 | 9221G3 | 30/886 |
| 9221CZ* | 30/1199C | 9221F7 | 30/856 | 9221G3* | 30/1549 |
| 9221E6 | 30/914 | 9221F7 | 30/2808 | 9221G3* | 30/1549 |
| 9221E8 | 30/916 | 9221F7 | 30/2808 | 9221G4 | 30/7049 |
| 9221E9 | 30/916 | 9221F7 | 30/856 | 9221G4 | 30/2794 |
| 9221EP* | 30/1227 | 9221F7 | 30/2808 | 9221G5 | 30/7047 |
| 9221EP* | 30/1227 | 9221F7 | 30/856 | 9221G7 | 30/7047 |
| 9221EP* | 30/1227 | 9221F7 | 30/2808 | 9221G8 | 30/1491 |
| 9221EQ | 30/1785C | 9221F7 | 30/856 | 9221G9* | 30/2377 |
| 9221EQ* | 30/1785 | 9221F8 | 30/1064 | 9221GE | 30/1929C |
| 9221ES | 30/1929C | 9221F8* | 30/1809 | 9221GE | 30/1929C |
| 9221ES | 30/1929C | 9221F9 | 30/914 | 9221GE* | 30/1394 |

TAVOLE DI COMPARAZIONE / CROSS REFERENCE GUIDE

Alzacristalli / Window



| Rif. adattabilità Compatible OEM ref. | Ns. rif. Our Ref. | Rif. adattabilità Compatible OEM ref. | Ns. rif. Our Ref. | Rif. adattabilità Compatible OEM ref. | Ns. rif. Our Ref. |
|--|----------------------|--|----------------------|--|----------------------|
| 9221GE* | 30/1394 | 9221HE | 30/1525C | 9221L4 | 30/926 |
| 9221GL | 30/2503B | 9221HE* | 30/2410 | 9221L4 | 30/926 |
| 9221GR | 30/2846 | 9221HE* | 30/1227 | 9221L4 | 30/926 |
| 9221GR* | 30/1454 | 9221HE* | 30/1227 | 9221L4 | 30/926 |
| 9221GX | 30/1815 | 9221HE* | 30/2410 | 9221N6 | 30/262B |
| 9221GX | 30/2834 | 9221HE* | 30/1227 | 9221N7 | 30/938C |
| 9221GX* | 30/2860 | 9221HE* | 30/2410 | 9221N7 | 30/2844 |
| 9221GY* | 30/1829 | 9221HG | 30/1525C | 9221N7* | 30/2409 |
| 9221H1 | 30/852 | 9221HG | 30/1525C | 9221N7* | 30/938 |
| 9221H1 | 30/2816 | 9221HG | 30/1525C | 9221N8 | 30/275B |
| 9221H1 | 30/852 | 9221HG* | 30/1525 | 9221N8 | 30/275B |
| 9221H1 | 30/2816 | 9221HG* | 30/1525 | 9221N8 | 30/275B |
| 9221H2 | 30/850 | 9221HG* | 30/1525 | 9221P0 | 30/1493 |
| 9221H2 | 30/2814 | 9221HJ* | 30/1199C | 9221P1 | 30/2183C |
| 9221H2 | 30/850 | 9221J0 | 30/862 | 9221P1* | 30/2379 |
| 9221H2 | 30/2814 | 9221J1 | 30/864 | 9221P1* | 30/2183 |
| 9221H4 | 30/7049 | 9221J2* | 30/1052 | 9221P2 | 30/1491 |
| 9221H4 | 30/2223 | 9221J4* | 30/1231 | 9221P7 | 30/1482 |
| 9221H4 | 30/2794 | 9221K0 | 30/934 | 9221Q2* | 30/2377 |
| 9221H5 | 30/856 | 9221K0* | 30/2742 | 9221Q5 | 30/745 |
| 9221H5 | 30/2808 | 9221K1 | 30/932 | 9221Q5 | 30/745 |
| 9221H5 | 30/2808 | 9221K1* | 30/1697 | 9221Q5 | 30/745 |
| 9221H5 | 30/856 | 9221K6* | 30/1697 | 9221Q6 | 30/1121 |
| 9221H5 | 30/2808 | 9221K6* | 30/2742 | 9221R0 | 30/2497 |
| 9221H5 | 30/856 | 9221K7 | 30/791 | 9221R0* | 30/2195 |
| 9221H5 | 30/2808 | 9221K8 | 30/862 | 9221S1 | 30/2588 |
| 9221H5 | 30/856 | 9221K9 | 30/864 | 9221T8 | 30/1356 |
| 9221H9 | 30/273B | 9221L1* | 30/1231 | 9221T8 | 30/2796 |
| 9221HE | 30/1525C | 9221L2 | 30/2794 | 9221T8 | 30/1356 |
| 9221HE | 30/1525C | 9221L3* | 30/1052 | 9221T8 | 30/2796 |

TAVOLE DI COMPARAZIONE / CROSS REFERENCE GUIDE

Alzacristalli / Window



| Rif. adattabilità Compatible OEM ref. | Ns. rif. Our Ref. | Rif. adattabilità Compatible OEM ref. | Ns. rif. Our Ref. | Rif. adattabilità Compatible OEM ref. | Ns. rif. Our Ref. |
|--|----------------------|--|----------------------|--|----------------------|
| 9221T8 | 30/1356 | 9221Y4* | 30/2123 | 9222A4 | 30/221 |
| 9221T8 | 30/2796 | 9221Y5 | 30/1199 | 9222AN | 30/2453 |
| 9221T8* | 30/1374 | 9221Y5* | 30/1199C | 9222AN | 30/2791 |
| 9221T8* | 30/1374 | 9221Y7* | 30/1199C | 9222AP | 30/937C |
| 9221T8* | 30/1374 | 9221Z6 | 30/1525C | 9222AP | 30/2843 |
| 9221V1 | 30/1289 | 9221Z6 | 30/1525C | 9222AP* | 30/2408 |
| 9221W0 | 30/1493 | 9221Z6 | 30/1525C | 9222AP* | 30/937 |
| 9221X1 | 30/2812 | 9221Z6* | 30/2410 | 9222ASGM | 30/885 |
| 9221X3* | 30/1583 | 9221Z6* | 30/1525 | 9222ASGM | 30/885 |
| 9221X4 | 30/2454 | 9221Z6* | 30/2410 | 9222C1 | 30/863 |
| 9221X4 | 30/2792 | 9221Z6* | 30/1525 | 9222C6 | 30/7050 |
| 9221X5 | 30/938C | 9221Z6* | 30/2410 | 9222C6 | 30/2222 |
| 9221X5 | 30/2844 | 9221Z6* | 30/1525 | 9222C6 | 30/2793 |
| 9221X5* | 30/2409 | 922250* | 30/7288 | 9222C8 | 30/7048 |
| 9221X5* | 30/938 | 922266 | 30/680 | 9222CQ | 30/1288 |
| 9221X6 | 30/2185 | 922269* | 30/7290 | 9222CS | 30/2911 |
| 9221X7 | 30/986 | 922275 | 30/273 | 9222CS | 30/2911 |
| 9221X7 | 30/986 | 922279 | 30/680 | 9222CS | 30/2911 |
| 9221X7 | 30/986 | 922281 | 30/851 | 9222CT | 30/1198 |
| 9221X7* | 30/7043 | 922281 | 30/2815 | 9222CT* | 30/1198C |
| 9221X7* | 30/1551B | 922281 | 30/851 | 9222CV | 30/1814 |
| 9221X7* | 30/1229 | 922281 | 30/2815 | 9222CV | 30/2833 |
| 9221X7* | 30/7043 | 922283 | 30/863 | 9222CV* | 30/2859 |
| 9221X7* | 30/1551B | 922289 | 30/275 | 9222CW* | 30/2859 |
| 9221X7* | 30/1229 | 922289 | 30/275 | 9222CY* | 30/1198C |
| 9221X7* | 30/7043 | 922289 | 30/275 | 9222E1 | 30/1063 |
| 9221X7* | 30/1551B | 922295 | 30/792 | 9222E4 | 30/913 |
| 9221X7* | 30/1229 | 9222A0 | 30/7056 | 9222E7 | 30/915 |
| 9221Y3 | 30/1491 | 9222A1 | 30/7058 | 9222E8 | 30/915 |
| 9221Y4 | 30/7294 | 9222A4 | 30/221 | 9222E9* | 30/7299 |

TAVOLE DI COMPARAZIONE / CROSS REFERENCE GUIDE

Alzacristalli / Window



| Rif. adattabilità Compatible OEM ref. | Ns. rif. Our Ref. | Rif. adattabilità Compatible OEM ref. | Ns. rif. Our Ref. | Rif. adattabilità Compatible OEM ref. | Ns. rif. Our Ref. |
|--|----------------------|--|----------------------|--|----------------------|
| 9222EK | 30/985 | 9222F2 | 30/2813 | 9222FY* | 30/1445 |
| 9222EK | 30/985 | 9222F3 | 30/851 | 9222G0* | 30/1411 |
| 9222EK | 30/985 | 9222F3 | 30/2815 | 9222G1 | 30/885 |
| 9222EK* | 30/7044 | 9222F3 | 30/851 | 9222G1 | 30/885 |
| 9222EK* | 30/1550B | 9222F3 | 30/2815 | 9222G1* | 30/1548 |
| 9222EK* | 30/1228 | 9222F4* | 30/1409 | 9222G1* | 30/1548 |
| 9222EK* | 30/7044 | 9222F5 | 30/855 | 9222G2 | 30/7050 |
| 9222EK* | 30/1550B | 9222F5 | 30/2807 | 9222G2 | 30/2793 |
| 9222EK* | 30/1228 | 9222F5 | 30/2807 | 9222G3 | 30/7048 |
| 9222EK* | 30/7044 | 9222F5 | 30/855 | 9222G5 | 30/7048 |
| 9222EK* | 30/1550B | 9222F5 | 30/2807 | 9222G6 | 30/1490 |
| 9222EK* | 30/1228 | 9222F5 | 30/855 | 9222G7* | 30/2376 |
| 9222EN* | 30/1226 | 9222F5 | 30/2807 | 9222G9 | 30/851 |
| 9222EN* | 30/1226 | 9222F5 | 30/855 | 9222G9 | 30/2815 |
| 9222EN* | 30/1226 | 9222F6 | 30/1063 | 9222G9 | 30/851 |
| 9222EP* | 30/1784 | 9222F6* | 30/1808 | 9222G9 | 30/2815 |
| 9222EQ | 30/1928 | 9222F7 | 30/913 | 9222GC* | 30/1393 |
| 9222EQ | 30/1928 | 9222F8 | 30/915 | 9222GC* | 30/1393 |
| 9222ER* | 30/1393 | 9222F9 | 30/939 | 9222GH | 30/2502B |
| 9222ER* | 30/1393 | 9222F9* | 30/3087 | 9222GN | 30/2845 |
| 9222EY | 30/915 | 9222FF* | 30/1700 | 9222GN* | 30/1453 |
| 9222F0 | 30/744 | 9222FP | 30/7038 | 9222GS | 30/1814 |
| 9222F0 | 30/744 | 9222FQ* | 30/1449 | 9222GS | 30/2833 |
| 9222F0 | 30/744 | 9222FS | 30/2122C | 9222GS* | 30/2859 |
| 9222F1 | 30/181 | 9222FS | 30/2811 | 9222GT* | 30/1828 |
| 9222F1 | 30/181 | 9222FS* | 30/2422 | 9222H0 | 30/849 |
| 9222F1 | 30/181 | 9222FS* | 30/2122 | 9222H0 | 30/2813 |
| 9222F2 | 30/849 | 9222FV | 30/1542 | 9222H0 | 30/849 |
| 9222F2 | 30/2813 | 9222FW* | 30/1526 | 9222H0 | 30/2813 |
| 9222F2 | 30/849 | 9222FX* | 30/1784 | 9222H2 | 30/7050 |

TAVOLE DI COMPARAZIONE / CROSS REFERENCE GUIDE

Alzacristalli / Window



| Rif. adattabilità Compatible OEM ref. | Ns. rif. Our Ref. | Rif. adattabilità Compatible OEM ref. | Ns. rif. Our Ref. | Rif. adattabilità Compatible OEM ref. | Ns. rif. Our Ref. |
|--|----------------------|--|----------------------|--|----------------------|
| 9222H2 | 30/2222 | 9222J2* | 30/1230 | 9222P5 | 30/1481 |
| 9222H2 | 30/2793 | 9222J8* | 30/1696 | 9222Q0* | 30/2376 |
| 9222H3 | 30/855 | 9222J8* | 30/2741 | 9222Q2* | 30/1582 |
| 9222H3 | 30/2807 | 9222J9 | 30/933 | 9222Q3 | 30/744 |
| 9222H3 | 30/2807 | 9222J9* | 30/2741 | 9222Q3 | 30/744 |
| 9222H3 | 30/855 | 9222K0 | 30/931 | 9222Q3 | 30/744 |
| 9222H3 | 30/2807 | 9222K0* | 30/1696 | 9222Q4 | 30/1120 |
| 9222H3 | 30/855 | 9222K5 | 30/792 | 9222Q8 | 30/2496 |
| 9222H3 | 30/2807 | 9222K6 | 30/861 | 9222Q8* | 30/2194 |
| 9222H3 | 30/855 | 9222K7 | 30/863 | 9222R1 | 30/2587 |
| 9222H6 | 30/273 | 9222K9* | 30/1230 | 9222T6 | 30/1355 |
| 9222H8 | 30/861 | 9222L0 | 30/2793 | 9222T6 | 30/2795 |
| 9222H9 | 30/863 | 9222L1* | 30/1051 | 9222T6 | 30/1355 |
| 9222HC* | 30/1226 | 9222L2 | 30/925 | 9222T6 | 30/2795 |
| 9222HC* | 30/1226 | 9222L2 | 30/925 | 9222T6 | 30/1355 |
| 9222HC* | 30/1226 | 9222L2 | 30/925 | 9222T6 | 30/2795 |
| 9222HE | 30/1524C | 9222L2 | 30/925 | 9222T6* | 30/1373 |
| 9222HE | 30/1524C | 9222N5 | 30/937C | 9222T6* | 30/1373 |
| 9222HE | 30/1524C | 9222N5 | 30/2843 | 9222T6* | 30/1373 |
| 9222HE* | 30/2411 | 9222N5* | 30/2408 | 9222V0 | 30/1288 |
| 9222HE* | 30/2411 | 9222N5* | 30/937 | 9222V9 | 30/1492 |
| 9222HE* | 30/2411 | 9222N6 | 30/262 | 9222W9 | 30/7293 |
| 9222HF | 30/1770 | 9222N7 | 30/275 | 9222X0 | 30/2811 |
| 9222HF | 30/1770 | 9222N7 | 30/275 | 9222X2* | 30/1582 |
| 9222HF | 30/1770 | 9222N7 | 30/275 | 9222X4 | 30/937C |
| 9222HF* | 30/1524 | 9222N8 | 30/1492 | 9222X4 | 30/2843 |
| 9222HF* | 30/1524 | 9222N9 | 30/2182C | 9222X4* | 30/2408 |
| 9222HF* | 30/1524 | 9222N9* | 30/2378 | 9222X4* | 30/937 |
| 9222HG* | 30/1198C | 9222N9* | 30/2182 | 9222X5 | 30/2184 |
| 9222J0* | 30/1051 | 9222P0 | 30/1490 | 9222X5* | 30/2182 |

TAVOLE DI COMPARAZIONE / CROSS REFERENCE GUIDE

Alzacristalli / Window



| Rif. adattabilità Compatible OEM ref. | Ns. rif. Our Ref. | Rif. adattabilità Compatible OEM ref. | Ns. rif. Our Ref. | Rif. adattabilità Compatible OEM ref. | Ns. rif. Our Ref. |
|--|----------------------|--|----------------------|--|----------------------|
| 9222X6 | 30/985 | 922333 | 30/1925 | 922388* | 30/2556 |
| 9222X6 | 30/985 | 922333 | 30/1925 | 922390* | 30/1581 |
| 9222X6 | 30/985 | 922333 | 30/1925 | 922393 | 30/2509 |
| 9222X6* | 30/7044 | 922334 | 30/856 | 922399 | 30/255B |
| 9222X6* | 30/1550B | 922334 | 30/856 | 9223A1 | 30/254B |
| 9222X6* | 30/1228 | 922334 | 30/856 | 9223A2 | 30/2495 |
| 9222X6* | 30/7044 | 922334 | 30/856 | 9223A4 | 30/3158 |
| 9222X6* | 30/1550B | 922336 | 30/936 | 9223A4* | 30/2425 |
| 9222X6* | 30/1228 | 922346 | 30/263B | 9223A4* | 30/3156 |
| 9222X6* | 30/7044 | 922351 | 30/2810 | 9223A7* | 30/1239 |
| 9222X6* | 30/1550B | 922352 | 30/7291 | 9223C0* | 30/1241 |
| 9222X6* | 30/1228 | 922352 | 30/2810 | 9223C1* | 30/1239 |
| 9222Y2 | 30/1490 | 922354 | 30/7051 | 9223C3 | 30/2920 |
| 9222Y3 | 30/1198 | 922354 | 30/7053 | 9223C3 | 30/2919 |
| 9222Y3* | 30/1198C | 922356 | 30/936 | 9223C3 | 30/2920 |
| 9222Y5* | 30/1198C | 922357 | 30/2501 | 9223C3 | 30/2919 |
| 9222Z4 | 30/1770 | 922364* | 30/1579 | 9223C5 | 30/1012B |
| 9222Z4 | 30/1770 | 922366 | 30/2495 | 9223C5* | 30/2425 |
| 9222Z4 | 30/1770 | 922367 | 30/929 | 9223C5* | 30/3172 |
| 9222Z4* | 30/1524 | 922370 | 30/7045 | 9223C9 | 30/2706 |
| 9222Z4* | 30/1524 | 922371 | 30/7296 | 9223E0* | 30/1241 |
| 9222Z4* | 30/1524 | 922378 | 30/1925 | 9223E2* | 30/1787 |
| 9222Z5 | 30/1524C | 922378 | 30/1925 | 9223E5 | 30/1699 |
| 9222Z5 | 30/1524C | 922378 | 30/1925 | 9223E7 | 30/253B |
| 9222Z5 | 30/1524C | 922378 | 30/1925 | 9223E8 | 30/7291 |
| 9222Z5* | 30/2411 | 922382 | 30/2509 | 9223E9* | 30/1448 |
| 9222Z5* | 30/2411 | 922383 | 30/2471 | 9223F2* | 30/1703 |
| 9222Z5* | 30/2411 | 922384 | 30/2558 | 9223F4 | 30/2515 |
| 922328 | 30/7296 | 922384* | 30/2556 | 9223F9* | 30/7039 |
| 922333 | 30/1925 | 922385 | 30/1123 | 9223F9* | 30/1452 |

TAVOLE DI COMPARAZIONE / CROSS REFERENCE GUIDE

Alzacristalli / Window



| Rif. adattabilità Compatible OEM ref. | Ns. rif. Our Ref. | Rif. adattabilità Compatible OEM ref. | Ns. rif. Our Ref. | Rif. adattabilità Compatible OEM ref. | Ns. rif. Our Ref. |
|--|----------------------|--|----------------------|--|----------------------|
| 9223G0 | 30/3158 | 922446 | 30/7054 | 922497 | 30/2508 |
| 9223G0* | 30/2425 | 922447 | 30/263 | 9224A3 | 30/255 |
| 9223G0* | 30/3156 | 922452 | 30/2809 | 9224A5 | 30/254 |
| 9223G1 | 30/1012B | 922453 | 30/7292 | 9224A6 | 30/2494 |
| 9223G1* | 30/2425 | 922453 | 30/2809 | 9224A8 | 30/3157 |
| 9223G1* | 30/3172 | 922454 | 30/1924 | 9224A8* | 30/2424 |
| 9223G3* | 30/1703 | 922454 | 30/1924 | 9224A8* | 30/3155 |
| 9223G3* | 30/3032 | 922454 | 30/1924 | 9224C1* | 30/1238 |
| 9223G4 | 30/2515 | 922454 | 30/1924 | 9224C4* | 30/1240 |
| 9223G5* | 30/1787 | 922455 | 30/7052 | 9224C5* | 30/1238 |
| 9223G6* | 30/1448 | 922455 | 30/7054 | 9224C9 | 30/1011B |
| 9223G9* | 30/1581 | 922457 | 30/935 | 9224C9* | 30/2424 |
| 9223H0 | 30/2848 | 922458 | 30/2500 | 9224C9* | 30/3171 |
| 9223H0* | 30/1456 | 922465 | 30/7297 | 9224E2 | 30/2705 |
| 9223H1 | 30/267B | 922467* | 30/1578 | 9224E4* | 30/1240 |
| 9223H5* | 30/1831 | 922469 | 30/2494 | 9224E6* | 30/1786 |
| 9223X3 | 30/2453 | 922470 | 30/930 | 9224E9 | 30/1698 |
| 9223X3 | 30/2791 | 922473 | 30/7046 | 9224F1 | 30/253 |
| 922428 | 30/7297 | 922474 | 30/7297 | 9224F2 | 30/7292 |
| 922433 | 30/1924 | 922481 | 30/1924 | 9224F3* | 30/1447 |
| 922433 | 30/1924 | 922481 | 30/1924 | 9224F6* | 30/1702 |
| 922433 | 30/1924 | 922481 | 30/1924 | 9224F8 | 30/2514 |
| 922433 | 30/1924 | 922481 | 30/1924 | 9224G3* | 30/7040 |
| 922434 | 30/855 | 922484 | 30/2508 | 9224G3* | 30/1451 |
| 922434 | 30/855 | 922485 | 30/2470 | 9224G4 | 30/3157 |
| 922434 | 30/855 | 922486 | 30/2557 | 9224G4* | 30/2424 |
| 922434 | 30/855 | 922486* | 30/2555 | 9224G4* | 30/3155 |
| 922437 | 30/935 | 922487* | 30/2555 | 9224G5 | 30/1011B |
| 922443 | 30/7297 | 922489* | 30/1580 | 9224G5* | 30/2424 |
| 922446 | 30/7052 | 922491 | 30/1122 | 9224G5* | 30/3171 |

TAVOLE DI COMPARAZIONE / CROSS REFERENCE GUIDE

Alzacristalli / Window



| Rif. adattabilità Compatible OEM ref. | Ns. rif. Our Ref. | Rif. adattabilità Compatible OEM ref. | Ns. rif. Our Ref. | Rif. adattabilità Compatible OEM ref. | Ns. rif. Our Ref. |
|--|----------------------|--|----------------------|--|----------------------|
| 9224G6* | 30/1702 | 93171828 | 30/1992 | 93186825 | 30/1425 |
| 9224G6* | 30/3031 | 93171828 | 30/272 | 93186825* | 30/2751 |
| 9224G8 | 30/2514 | 93171828* | 30/1992C | 93186826 | 30/1428 |
| 9224G9* | 30/1786 | 93174243* | 30/1692 | 93186826* | 30/1426C |
| 9224H0* | 30/1447 | 93178695 | 30/1424 | 93186826* | 30/2736 |
| 9224H3* | 30/1580 | 93178695* | 30/1695 | 93186826* | 30/1691 |
| 9224H4 | 30/2847 | 93178696 | 30/1423 | 93186827 | 30/1427 |
| 9224H4* | 30/1455 | 93178696* | 30/1694 | 93186827* | 30/1425C |
| 9224H5 | 30/267 | 93183985 | 30/1424 | 93186827* | 30/2735 |
| 9224H9* | 30/1830 | 93183986 | 30/1423 | 93186827* | 30/1690 |
| 9255209* | 30/7336 | 93184842* | 30/7285 | 93186828 | 30/1993 |
| 9255217* | 30/7335 | 93184843* | 30/7286 | 93186828 | 30/272B |
| 927208348R | 30/7060 | 93186237 | 30/3016 | 93186828* | 30/1993C |
| 93139493 | 30/7277 | 93186237 | 30/3016 | 93186829 | 30/1992 |
| 93167945* | 30/1983 | 93186237 | 30/3016 | 93186829 | 30/272 |
| 93167945* | 30/1983 | 93186237 | 30/3016 | 93186829* | 30/1992C |
| 93167945* | 30/1983 | 93186237* | 30/1793 | 93186830* | 30/2854 |
| 93167946* | 30/1982 | 93186237* | 30/1793 | 93186830* | 30/1693 |
| 93167946* | 30/1982 | 93186237* | 30/1793 | 93186831* | 30/2853 |
| 93167946* | 30/1982 | 93186237* | 30/1793 | 93186831* | 30/1692 |
| 93168802* | 30/1819 | 93186238 | 30/3015 | 93189355* | 30/2854 |
| 93168803* | 30/1818 | 93186238 | 30/3015 | 93189355* | 30/1693 |
| 93168804* | 30/1677 | 93186238 | 30/3015 | 93189356* | 30/1692 |
| 93168805* | 30/1676 | 93186238 | 30/3015 | 93192109 | 30/1424 |
| 93168808* | 30/1676 | 93186238* | 30/1792 | 93192110 | 30/1423 |
| 93171820 | 30/1673 | 93186238* | 30/1792 | 93193624 | 30/1469 |
| 93171821 | 30/1672 | 93186238* | 30/1792 | 93193624 | 30/1469 |
| 93171827 | 30/1993 | 93186238* | 30/1792 | 93193624 | 30/1469 |
| 93171827 | 30/272B | 93186824 | 30/1426 | 93193625 | 30/1470 |
| 93171827* | 30/1993C | 93186824* | 30/2752 | 93193625 | 30/1470 |

TAVOLE DI COMPARAZIONE / CROSS REFERENCE GUIDE

Alzacristalli / Window



| Rif. adattabilità Compatible OEM ref. | Ns. rif. Our Ref. | Rif. adattabilità Compatible OEM ref. | Ns. rif. Our Ref. | Rif. adattabilità Compatible OEM ref. | Ns. rif. Our Ref. |
|--|----------------------|--|----------------------|--|----------------------|
| 93193625 | 30/1470 | 93867657* | 30/2156 | 93941271 | 30/208B |
| 93193628 | 30/2168 | 93867657* | 30/2156 | 93941271 | 30/208B |
| 93193628 | 30/2168 | 93867657* | 30/2156 | 93BBF23200BV* | 30/877 |
| 93193628 | 30/2168 | 93867659* | 30/2157 | 93BBF23201BV* | 30/878 |
| 93193629 | 30/2169 | 93867659* | 30/2157 | 94453794100* | 30/2340 |
| 93193629 | 30/2169 | 93867659* | 30/2157 | 94453794101* | 30/2340 |
| 93193629 | 30/2169 | 93867659* | 30/2157 | 94453794200* | 30/2339 |
| 93274395 | 30/1669 | 93901001 | 30/138 | 94453794201* | 30/2339 |
| 93274396 | 30/1668 | 93902694 | 30/139 | 94703266* | 30/1187 |
| 9330826 | 30/54 | 93902695 | 30/139B | 94703267* | 30/1186 |
| 93334688 | 30/1668 | 93908381 | 30/146 | 9483643 | 30/1943 |
| 93334689 | 30/1669 | 93908382 | 30/146B | 9483643 | 30/1943 |
| 93362661* | 30/2854 | 93926734 | 30/208 | 9483644 | 30/1942 |
| 93362662* | 30/2853 | 93926734 | 30/179 | 9483644 | 30/1942 |
| 93362663 | 30/1205C | 93926734 | 30/208 | 9485357 | 30/1253 |
| 93362663* | 30/2740 | 93926734 | 30/208 | 9485358 | 30/1252 |
| 93362663* | 30/2388 | 93926734 | 30/208 | 94FGB23200BC | 30/779 |
| 93362663* | 30/1205 | 93926735 | 30/208B | 94FGC23200AA | 30/781 |
| 93362664 | 30/1204C | 93926735 | 30/179B | 95015329* | 30/7027 |
| 93362664* | 30/2739 | 93926735 | 30/208B | 95015330* | 30/7028 |
| 93362664* | 30/2389 | 93926735 | 30/208B | 95021796 | 30/2283 |
| 93362664* | 30/1204 | 93926735 | 30/208B | 95021796* | 30/2319 |
| 93367905 | 30/264B | 93941270 | 30/208 | 95021797 | 30/2282 |
| 93367906 | 30/264 | 93941270 | 30/179 | 95021797* | 30/2318 |
| 93387519 | 30/1669 | 93941270 | 30/208 | 95093206 | 30/1965 |
| 93389551* | 30/2854 | 93941270 | 30/208 | 95093207 | 30/1964 |
| 93389551* | 30/1693 | 93941270 | 30/208 | 95129326 | 30/1991 |
| 93389552* | 30/2853 | 93941271 | 30/208B | 95137313 | 30/2754 |
| 93389552* | 30/1692 | 93941271 | 30/179B | 95137313* | 30/2718 |
| 93867657* | 30/2156 | 93941271 | 30/208B | 95137314 | 30/2753 |

TAVOLE DI COMPARAZIONE / CROSS REFERENCE GUIDE

Alzacristalli / Window



| Rif. adattabilità Compatible OEM ref. | Ns. rif. Our Ref. | Rif. adattabilità Compatible OEM ref. | Ns. rif. Our Ref. | Rif. adattabilità Compatible OEM ref. | Ns. rif. Our Ref. |
|--|----------------------|--|----------------------|--|----------------------|
| 95137314* | 30/2717 | 95509773* | 30/1916 | 95553346203 | 30/2180 |
| 95298985 | 30/1973 | 95509774 | 30/3134 | 95554246100 | 30/1418 |
| 95298985 | 30/1973 | 95509774 | 30/3134 | 95554246100 | 30/1418 |
| 95298986 | 30/1972 | 95509774* | 30/1917 | 95554246101 | 30/1418 |
| 95298986 | 30/1972 | 95509774* | 30/1917 | 95554246101 | 30/1418 |
| 95391353* | 30/2112 | 95512982 | 30/1470 | 95554246102 | 30/1418 |
| 95391353* | 30/2112 | 95512982 | 30/1470 | 95554246102 | 30/1418 |
| 95507155 | 30/1470 | 95512982 | 30/1470 | 95554246103 | 30/1418 |
| 95507155 | 30/1470 | 95512983 | 30/1469 | 95554246103 | 30/1418 |
| 95507155 | 30/1470 | 95512983 | 30/1469 | 95554246104 | 30/1418 |
| 95507156 | 30/1469 | 95512983 | 30/1469 | 95554246104 | 30/1418 |
| 95507156 | 30/1469 | 95526592* | 30/1916 | 95554246200 | 30/1417 |
| 95507156 | 30/1469 | 95526592* | 30/1916 | 95554246200 | 30/1417 |
| 95507159 | 30/2169 | 955526063* | 30/1917 | 95554246201 | 30/1417 |
| 95507159 | 30/2169 | 955526063* | 30/1917 | 95554246201 | 30/1417 |
| 95507159 | 30/2169 | 95553346100 | 30/2181 | 95554246202 | 30/1417 |
| 95507160 | 30/2168 | 95553346100 | 30/2181 | 95554246202 | 30/1417 |
| 95507160 | 30/2168 | 95553346101 | 30/2181 | 95554246203 | 30/1417 |
| 95507160 | 30/2168 | 95553346101 | 30/2181 | 95554246203 | 30/1417 |
| 95508037* | 30/1819 | 95553346102 | 30/2181 | 95554246204 | 30/1417 |
| 95508038* | 30/1818 | 95553346102 | 30/2181 | 95554246204 | 30/1417 |
| 95508039* | 30/1677 | 95553346103 | 30/2181 | 95636555 | 30/685 |
| 95508040* | 30/1676 | 95553346103 | 30/2181 | 95636556 | 30/684 |
| 95509364 | 30/3133 | 95553346200 | 30/2180 | 95649394* | 30/7036 |
| 95509364 | 30/3133 | 95553346200 | 30/2180 | 95649395* | 30/7035 |
| 95509365 | 30/3132 | 95553346201 | 30/2180 | 95919483* | 30/2319 |
| 95509365 | 30/3132 | 95553346201 | 30/2180 | 95919483* | 30/2318 |
| 95509773 | 30/3135 | 95553346202 | 30/2180 | 95919499 | 30/1991 |
| 95509773 | 30/3135 | 95553346202 | 30/2180 | 95919506 | 30/2316 |
| 95509773* | 30/1916 | 95553346203 | 30/2180 | 95920027 | 30/1973 |

TAVOLE DI COMPARAZIONE / CROSS REFERENCE GUIDE

Alzacristalli / Window



| Rif. adattabilità Compatible OEM ref. | Ns. rif. Our Ref. | Rif. adattabilità Compatible OEM ref. | Ns. rif. Our Ref. | Rif. adattabilità Compatible OEM ref. | Ns. rif. Our Ref. |
|--|----------------------|--|----------------------|--|----------------------|
| 95920027 | 30/1973 | 95VBV23201BD | 30/2069 | 96318069* | 30/1462 |
| 95920028 | 30/1972 | 96004213 | 30/685 | 96318070 | 30/2170 |
| 95920028 | 30/1972 | 96004214 | 30/684 | 96318070* | 30/1461 |
| 95920040 | 30/1975 | 96029377 | 30/7058 | 96318490* | 30/1462 |
| 95920040 | 30/1975 | 96029378 | 30/7057 | 96318491* | 30/1461 |
| 95920041 | 30/1974 | 9607542 | 30/10 | 96323234 | 30/2171 |
| 95920041 | 30/1974 | 96080732 | 30/7055 | 96323234* | 30/1462 |
| 95947328 | 30/1991 | 96092315 | 30/1063 | 96323235 | 30/2170 |
| 95947329 | 30/1990 | 96092315* | 30/1808 | 96323235* | 30/1461 |
| 95954796 | 30/1858 | 96092316 | 30/1064 | 9636597280 | 30/2500 |
| 95959561 | 30/2317 | 96092316* | 30/1809 | 9636597380 | 30/2501 |
| 95959562 | 30/2316 | 96101680* | 30/7288 | 9636629380 | 30/2813 |
| 95967076 | 30/1991 | 96101680* | 30/7290 | 9636629380 | 30/2813 |
| 95967077 | 30/1990 | 96190207* | 30/7033 | 9636629480 | 30/2814 |
| 95967080 | 30/2317 | 96190207* | 30/1601 | 9636629480 | 30/2814 |
| 95967081 | 30/2316 | 96190208* | 30/7034 | 9636631280 | 30/2815 |
| 95969960 | 30/2317 | 96190208* | 30/1600 | 9636631280 | 30/2815 |
| 95969961 | 30/2316 | 96225383* | 30/1601 | 9636631380 | 30/2816 |
| 95970602 | 30/1991 | 96225384* | 30/1600 | 9636631380 | 30/2816 |
| 95970603 | 30/1990 | 9623109680 | 30/253 | 9637090880 | 30/929 |
| 95982684* | 30/7031 | 9623109780 | 30/253B | 9637090980 | 30/930 |
| 95982685* | 30/7032 | 96233470* | 30/7033 | 9643071080 | 30/2470 |
| 95987099* | 30/7027 | 96233471* | 30/7034 | 9643071180 | 30/2471 |
| 95987100* | 30/7028 | 9627332481 | 30/2809 | 9643807380 | 30/2793 |
| 95987109* | 30/2109 | 9627332581 | 30/2810 | 9643807480 | 30/2794 |
| 95987110* | 30/2108 | 96314611 | 30/2171 | 9643807980* | 30/1051 |
| 95999488* | 30/7032 | 96314611* | 30/1462 | 9643808080* | 30/1052 |
| 95VBV23200AD | 30/277B | 96314612 | 30/2170 | 9647648980 | 30/263 |
| 95VBV23200BD | 30/2068 | 96314612* | 30/1461 | 9647649080 | 30/263B |
| 95VBV23201AD | 30/277 | 96318069 | 30/2171 | 96485141* | 30/1474 |

TAVOLE DI COMPARAZIONE / CROSS REFERENCE GUIDE

Alzacristalli / Window



| Rif. adattabilità Compatible OEM ref. | Ns. rif. Our Ref. | Rif. adattabilità Compatible OEM ref. | Ns. rif. Our Ref. | Rif. adattabilità Compatible OEM ref. | Ns. rif. Our Ref. |
|--|----------------------|--|----------------------|--|----------------------|
| 96485142* | 30/1473 | 96624332* | 30/2111 | 9673835380 | 30/2503B |
| 9651535980 | 30/2508 | 96624333* | 30/2110 | 9674032680 | 30/2901 |
| 9651536080 | 30/2509 | 96624333* | 30/2110 | 9674411580 | 30/279 |
| 96541783* | 30/7027 | 96624334* | 30/2113 | 9674411680 | 30/279B |
| 96541784* | 30/7028 | 96624334* | 30/2113 | 9674412380 | 30/2995 |
| 96541799* | 30/2110 | 96624335* | 30/2112 | 9674412380* | 30/2997 |
| 96541799* | 30/2110 | 96624335* | 30/2112 | 9674412480 | 30/2996 |
| 9657246180 | 30/2833 | 96627079* | 30/2111 | 9674412480* | 30/2998 |
| 9657246280 | 30/2834 | 96627079* | 30/2111 | 9674437280 | 30/3021 |
| 96585711* | 30/2109 | 96627080* | 30/2110 | 9674437280* | 30/3023 |
| 96585712* | 30/2108 | 96627080* | 30/2110 | 9674437380 | 30/3022 |
| 96585734* | 30/2109 | 96627081* | 30/2113 | 9674437380* | 30/3024 |
| 96585735* | 30/2108 | 96627081* | 30/2113 | 9675466080* | 30/2859 |
| 9659880480 | 30/2494 | 96652141* | 30/7027 | 9675466180* | 30/2860 |
| 9659880580 | 30/2495 | 96652142* | 30/7028 | 9675467380* | 30/2859 |
| 9659881580 | 30/254 | 96672882* | 30/2111 | 9675467480* | 30/2860 |
| 9659881680 | 30/254B | 96672882* | 30/2111 | 9675898980* | 30/1784 |
| 9659882680 | 30/255 | 9673153180* | 30/2448 | 9675899080 | 30/1785C |
| 9659882780 | 30/255B | 9673153180* | 30/1802 | 9675899080* | 30/1785 |
| 96601565* | 30/1474 | 9673153280* | 30/2449 | 9675915180* | 30/1786 |
| 96601566* | 30/1473 | 9673153280* | 30/1803 | 9675915280* | 30/1787 |
| 96624015* | 30/2111 | 9673154180* | 30/2302 | 9675924680* | 30/2372 |
| 96624015* | 30/2111 | 9673154280* | 30/2303 | 9675924780* | 30/2373 |
| 96624016* | 30/2110 | 9673154380 | 30/2335 | 9676172380* | 30/2374 |
| 96624016* | 30/2110 | 9673154480 | 30/2336 | 9676172480* | 30/2375 |
| 96624049* | 30/2113 | 9673154680 | 30/7295 | 9677185180* | 30/2374 |
| 96624049* | 30/2113 | 9673154780 | 30/2334 | 9677185280* | 30/2375 |
| 96624050* | 30/2112 | 9673155180* | 30/1704 | 9677734780 | 30/2855 |
| 96624050* | 30/2112 | 9673155280* | 30/1705 | 9677734780* | 30/2759 |
| 96624332* | 30/2111 | 9673835280 | 30/2502B | 9677734880 | 30/2856 |

TAVOLE DI COMPARAZIONE / CROSS REFERENCE GUIDE

Alzacristalli / Window



| Rif. adattabilità Compatible OEM ref. | Ns. rif. Our Ref. | Rif. adattabilità Compatible OEM ref. | Ns. rif. Our Ref. | Rif. adattabilità Compatible OEM ref. | Ns. rif. Our Ref. |
|--|----------------------|--|----------------------|--|----------------------|
| 9677734880* | 30/2760 | 96964422* | 30/7032 | 9802523780* | 30/1456 |
| 9677737280 | 30/2857 | 96984862* | 30/7031 | 9802531780 | 30/2845 |
| 9677737280* | 30/2761 | 96984863* | 30/7032 | 9802531780* | 30/1453 |
| 9677737380 | 30/2858 | 96996226 | 30/1859 | 9802531980 | 30/2846 |
| 9677737380* | 30/2762 | 96FGA23200BE | 30/829 | 9802531980* | 30/1454 |
| 9677737480 | 30/274 | 96FGA23200BE | 30/829 | 9802581780 | 30/2849 |
| 9677737580 | 30/274B | 96FGA23201BE | 30/830 | 9802581780* | 30/7042 |
| 9681954480 | 30/2514 | 96FGA23201BE | 30/830 | 9802581880 | 30/2850 |
| 9681954580 | 30/2515 | 96FGB23200BF | 30/827 | 9802581880* | 30/7041 |
| 9682495680 | 30/2902 | 96FGB23201BF | 30/828 | 9802581980* | 30/1962 |
| 9682721480 | 30/2843 | 97144436 | 30/7282 | 9802582080* | 30/1963 |
| 9682721580 | 30/2844 | 97144437 | 30/7281 | 9802602180* | 30/1447 |
| 9682734380 | 30/2791 | 97254452 | 30/7282 | 9802602280* | 30/1448 |
| 9682734580 | 30/2792 | 97254453 | 30/7281 | 9802617380* | 30/1449 |
| 9682808880* | 30/1700 | 9737200146 | 30/280B | 9802617780* | 30/1450 |
| 96870316* | 30/7027 | 9737200246 | 30/280 | 9802619280* | 30/7040 |
| 96870317* | 30/7028 | 97KGB23201BL | 30/840 | 9802619280* | 30/1451 |
| 9687060680 | 30/2849 | 9800273380 | 30/2857 | 9802619380* | 30/7039 |
| 9687060680* | 30/7042 | 9800273380* | 30/2761 | 9802619380* | 30/1452 |
| 9687123480* | 30/1962 | 9800273480 | 30/2858 | 9802740780* | 30/1526 |
| 9687186880 | 30/267B | 9800273480* | 30/2762 | 9802740880 | 30/1543C |
| 9687187780 | 30/267 | 9802389180* | 30/1393 | 9802740880* | 30/1527 |
| 9687511780* | 30/1963 | 9802389180* | 30/1393 | 9804388180 | 30/2851 |
| 9687618480 | 30/2850 | 9802389280 | 30/1929C | 9804388180* | 30/1962 |
| 9687618480* | 30/7041 | 9802389280 | 30/1929C | 9804388280 | 30/2852 |
| 96942997* | 30/2109 | 9802389280* | 30/1394 | 9804388280* | 30/1963 |
| 96942998* | 30/2108 | 9802389280* | 30/1394 | 9806086880* | 30/1828 |
| 96964420* | 30/2319 | 9802523180 | 30/2847 | 9806086980* | 30/1829 |
| 96964420* | 30/2318 | 9802523180* | 30/1455 | 9806087080* | 30/1830 |
| 96964421* | 30/7031 | 9802523780 | 30/2848 | 9806087180* | 30/1831 |

TAVOLE DI COMPARAZIONE / CROSS REFERENCE GUIDE

Alzacristalli / Window



| Rif. adattabilità Compatible OEM ref. | Ns. rif. Our Ref. | Rif. adattabilità Compatible OEM ref. | Ns. rif. Our Ref. | Rif. adattabilità Compatible OEM ref. | Ns. rif. Our Ref. |
|--|----------------------|--|----------------------|--|----------------------|
| 9806088080* | 30/2448 | 9810488480* | 30/2779 | 9816273680* | 30/2762 |
| 9806088080* | 30/1802 | 9810488580* | 30/2780 | 9816402080* | 30/2448 |
| 9806088180* | 30/2449 | 9810488580* | 30/2780 | 9816402080* | 30/1802 |
| 9806088180* | 30/1803 | 9810488580* | 30/2780 | 9816402180* | 30/2449 |
| 9806088580* | 30/2302 | 9810488880* | 30/2777 | 9816402180* | 30/1803 |
| 9806088680* | 30/2303 | 9810488880* | 30/2777 | 9816402280* | 30/2302 |
| 9806618780* | 30/3107 | 9810488880* | 30/2777 | 9816402380* | 30/2303 |
| 9806618780* | 30/3107 | 9810488980* | 30/2778 | 9816733680* | 30/2779 |
| 9806618780* | 30/3107 | 9810488980* | 30/2778 | 9816733680* | 30/2779 |
| 9806618780* | 30/3107 | 9810488980* | 30/2778 | 9816733680* | 30/2779 |
| 9806618780* | 30/3107 | 9810488980* | 30/2778 | 9816733680* | 30/2779 |
| 9806619480* | 30/3106 | 9813092980* | 30/2671 | 9816733780* | 30/2780 |
| 9806619480* | 30/3106 | 9813093080* | 30/2672 | 9816733780* | 30/2780 |
| 9806619480* | 30/3106 | 9815403780* | 30/2779 | 9816733780* | 30/2780 |
| 9806619480* | 30/3106 | 9815403780* | 30/2779 | 981711178 | 30/237 |
| 9808388480* | 30/3107 | 9815403780* | 30/2779 | 981711179 | 30/237B |
| 9808388480* | 30/3107 | 9815403880* | 30/2780 | 981711181 | 30/7140 |
| 9808388480* | 30/3107 | 9815403880* | 30/2780 | 981711182 | 30/7139 |
| 9808388480* | 30/3107 | 9815403880* | 30/2780 | 9819520080* | 30/2777 |
| 9808388580* | 30/3106 | 9815404280* | 30/2772 | 9819520080* | 30/2777 |
| 9808388580* | 30/3106 | 9816272480* | 30/2372 | 9819520080* | 30/2777 |
| 9808388580* | 30/3106 | 9816272580* | 30/2373 | 9819520280* | 30/2778 |
| 9808388580* | 30/3106 | 9816272680* | 30/2374 | 9819520280* | 30/2778 |
| 9808505580 | 30/2845 | 9816272780* | 30/2375 | 9819520280* | 30/2778 |
| 9808505780 | 30/2846 | 9816273080 | 30/2855 | 9820885080 | 30/2847 |
| 9810287480 | 30/2647 | 9816273080* | 30/2759 | 9820885080* | 30/1455 |
| 9810287480* | 30/2643 | 9816273280 | 30/2856 | 9820885280 | 30/2848 |
| 9810287780 | 30/2648 | 9816273280* | 30/2760 | 9820885280* | 30/1455 |
| 9810287780* | 30/2644 | 9816273480 | 30/2857 | 9826076280* | 30/2372 |
| 9810488480* | 30/2779 | 9816273480* | 30/2761 | 9826076380* | 30/2373 |
| 9810488480* | 30/2779 | 9816273680 | 30/2858 | 9826076480* | 30/2374 |

TAVOLE DI COMPARAZIONE / CROSS REFERENCE GUIDE

Alzacristalli / Window



| Rif. adattabilità Compatible OEM ref. | Ns. rif. Our Ref. | Rif. adattabilità Compatible OEM ref. | Ns. rif. Our Ref. | Rif. adattabilità Compatible OEM ref. | Ns. rif. Our Ref. |
|--|----------------------|--|----------------------|--|----------------------|
| 9826076580* | 30/2375 | 9830389080* | 30/2780 | 9840159480* | 30/3106 |
| 9826079480 | 30/2855 | 9830389080* | 30/2780 | 9840159480* | 30/3106 |
| 9826079480* | 30/2759 | 9830389080* | 30/2780 | 9840180580* | 30/2779 |
| 9826079580 | 30/2856 | 9830389280* | 30/2777 | 9840180580* | 30/2779 |
| 9826079580* | 30/2760 | 9830389280* | 30/2777 | 9840180580* | 30/2779 |
| 9826080380 | 30/2857 | 9830389280* | 30/2777 | 9840180680* | 30/2780 |
| 9826080380* | 30/2761 | 9830389380* | 30/2778 | 9840180680* | 30/2780 |
| 9826080480 | 30/2858 | 9830389380* | 30/2778 | 9840180680* | 30/2780 |
| 9826080480* | 30/2762 | 9830389380* | 30/2778 | 9840190180* | 30/2779 |
| 9828299880* | 30/2859 | 9830478380* | 30/2671 | 9840190180* | 30/2779 |
| 9828299980* | 30/2860 | 9830654080* | 30/2779 | 9840190180* | 30/2779 |
| 9829889680* | 30/3107 | 9830654080* | 30/2779 | 9840190280* | 30/2780 |
| 9829889680* | 30/3107 | 9830654080* | 30/2779 | 9840190280* | 30/2780 |
| 9829889680* | 30/3107 | 9830654280* | 30/2780 | 9840190280* | 30/2780 |
| 9829889680* | 30/3107 | 9830654280* | 30/2780 | 9840196880* | 30/2777 |
| 9829889780* | 30/3106 | 9830654280* | 30/2780 | 9840196880* | 30/2777 |
| 9829889780* | 30/3106 | 9830655780* | 30/2777 | 9840196880* | 30/2777 |
| 9829889780* | 30/3106 | 9830655780* | 30/2777 | 9840196980* | 30/2778 |
| 9829889780* | 30/3106 | 9830655780* | 30/2777 | 9840196980* | 30/2778 |
| 9830320480* | 30/2779 | 9830655880* | 30/2778 | 9840196980* | 30/2778 |
| 9830320480* | 30/2779 | 9830655880* | 30/2778 | 9840197380* | 30/2779 |
| 9830320480* | 30/2779 | 9830655880* | 30/2778 | 9840197380* | 30/2779 |
| 9830320580* | 30/2780 | 9840154080* | 30/2671 | 9840197380* | 30/2779 |
| 9830320580* | 30/2780 | 9840154180* | 30/2672 | 9840197480* | 30/2780 |
| 9830320580* | 30/2780 | 9840159380* | 30/3107 | 9840197480* | 30/2780 |
| 9830320780* | 30/2771 | 9840159380* | 30/3107 | 9840197480* | 30/2780 |
| 9830320880* | 30/2772 | 9840159380* | 30/3107 | 9840197580* | 30/2777 |
| 9830388880* | 30/2779 | 9840159380* | 30/3107 | 9840197580* | 30/2777 |
| 9830388880* | 30/2779 | 9840159480* | 30/3106 | 9840197580* | 30/2777 |
| 9830388880* | 30/2779 | 9840159480* | 30/3106 | 9840197680* | 30/2778 |

TAVOLE DI COMPARAZIONE / CROSS REFERENCE GUIDE

Alzacristalli / Window



| Rif. adattabilità Compatible OEM ref. | Ns. rif. Our Ref. | Rif. adattabilità Compatible OEM ref. | Ns. rif. Our Ref. | Rif. adattabilità Compatible OEM ref. | Ns. rif. Our Ref. |
|--|----------------------|--|----------------------|--|----------------------|
| 9840197680* | 30/2778 | 9881034030* | 30/7111 | 99487780 | 30/1566 |
| 9840197680* | 30/2778 | 9882002100* | 30/7120 | 99487780 | 30/1566 |
| 98407721 | 30/1566 | 9882002100* | 30/1475 | 99487781 | 30/1567 |
| 98407721 | 30/1566 | 988200X100* | 30/1620 | 99487781 | 30/1567 |
| 98407722 | 30/1567 | 988201C100* | 30/1842 | 99654207503 | 30/2261 |
| 98407722 | 30/1567 | 988201C200* | 30/2216 | 99654207504 | 30/2261 |
| 98407740 | 30/186B | 988201C300* | 30/1842 | 99654207603 | 30/2260 |
| 98407741 | 30/186 | 988201E100* | 30/2561 | 99654207604 | 30/2260 |
| 98407743 | 30/186 | 988201G100* | 30/2561 | A0007200079* | 30/1777 |
| 98407744 | 30/186B | 988201J100* | 30/1622 | A0007200079* | 30/2616 |
| 98754207501 | 30/2606 | 988201J100* | 30/7128 | A0007200079* | 30/2177 |
| 98754207502 | 30/2606 | 9882025100* | 30/7114 | A0007200179* | 30/1776 |
| 98754207601 | 30/2605 | 9882025100* | 30/7116 | A0007200179* | 30/2615 |
| 98754207602 | 30/2605 | 9882029000* | 30/7132 | A0007200179* | 30/2176 |
| 9880043001* | 30/7125 | 9882029010* | 30/7130 | A0007250002* | 30/1777 |
| 9881002100* | 30/1476 | 9882034010* | 30/7118 | A0007250002* | 30/2616 |
| 988100X100* | 30/1621 | 9882034030* | 30/7120 | A0007250102* | 30/1776 |
| 988101C100* | 30/1843 | 9882034030* | 30/7112 | A0007250102* | 30/2615 |
| 988101C200* | 30/2217 | 9882034030* | 30/1475 | A0038203642* | 30/7189 |
| 988101C300* | 30/1843 | 9890043001* | 30/7126 | A0038203742* | 30/7190 |
| 988101E100* | 30/2562 | 99485357 | 30/751 | A0048205142* | 30/7189 |
| 988101G100* | 30/2562 | 99485357 | 30/1005 | A0048205242* | 30/7190 |
| 988101J100* | 30/7127 | 99485357 | 30/1005 | A0058202242* | 30/1762 |
| 988101J110* | 30/1623 | 99485357 | 30/1005 | A0058202342* | 30/1763 |
| 9881025100* | 30/7113 | 99485357 | 30/1005 | A0068201842* | 30/1325 |
| 9881025100* | 30/7115 | 99485358 | 30/752 | A0068201942* | 30/1324 |
| 9881029000* | 30/7131 | 99485358 | 30/1006 | A0068205442* | 30/1769 |
| 9881029010* | 30/7129 | 99485358 | 30/1006 | A0068205442* | 30/1769 |
| 9881034010* | 30/7117 | 99485358 | 30/1006 | A0068205542* | 30/1768 |
| 9881034030* | 30/7119 | 99485358 | 30/1006 | A0068205542* | 30/1768 |

TAVOLE DI COMPARAZIONE / CROSS REFERENCE GUIDE

Alzacristalli / Window



| Rif. adattabilità Compatible OEM ref. | Ns. rif. Our Ref. | Rif. adattabilità Compatible OEM ref. | Ns. rif. Our Ref. | Rif. adattabilità Compatible OEM ref. | Ns. rif. Our Ref. |
|--|----------------------|--|----------------------|--|----------------------|
| A1177200000* | 30/2696 | A1647201279 | 30/1646 | A1697200879* | 30/7188 |
| A1177200179* | 30/2696 | A1647201579 | 30/1647 | A1697200879* | 30/1654 |
| A1177200279* | 30/2695 | A1647201679 | 30/1646 | A1697203179* | 30/7187 |
| A1177209900* | 30/2695 | A1647300379* | 30/1801 | A1697203179* | 30/1655 |
| A1177302500* | 30/2698 | A1647300479* | 30/1800 | A1697203279* | 30/7188 |
| A1177302600* | 30/2697 | A1647303179* | 30/1801 | A1697203279* | 30/1654 |
| A1177302700* | 30/2698 | A1647303279* | 30/1800 | A1697303179 | 30/1657 |
| A1177302800* | 30/2697 | A1687200346* | 30/7179 | A1697303179* | 30/7183 |
| A1247200346* | 30/7189 | A1687200446* | 30/7180 | A1697303279 | 30/1656 |
| A1247200446* | 30/7190 | A1687201146 | 30/1080 | A1697303279* | 30/7184 |
| A1247300346 | 30/7197 | A1687201146* | 30/7179 | A1698201542* | 30/7187 |
| A1247300446 | 30/7198 | A1687201246* | 30/7180 | A1698201642* | 30/7188 |
| A1247300746 | 30/7197 | A1687201946 | 30/1082 | A1698201742* | 30/7187 |
| A1247300846 | 30/7198 | A1687201946* | 30/7179 | A1698201842* | 30/7188 |
| A1387301446* | 30/7182 | A1687202046 | 30/1079 | A1698201942* | 30/7183 |
| A15200330008 | 30/241 | A1687202046 | 30/1081 | A1698202042* | 30/7184 |
| A15200330009 | 30/241B | A1687202046* | 30/7180 | A1698204342* | 30/7187 |
| A1637201146 | 30/1649 | A1687300346* | 30/7181 | A1698204442* | 30/7188 |
| A1637201146* | 30/1661 | A1687300446* | 30/7182 | A1767200179* | 30/2079 |
| A1637201246 | 30/1648 | A1687301146* | 30/7181 | A1767200279* | 30/2078 |
| A1637201246* | 30/1660 | A1687301246* | 30/7182 | A1767300179* | 30/2297 |
| A1637300146* | 30/7199 | A1687301346* | 30/7181 | A1767300279* | 30/2296 |
| A1637300246* | 30/7200 | A1687302146* | 30/7185 | A2017200546* | 30/7189 |
| A1638200142* | 30/7199 | A1687302246* | 30/7186 | A2017200646* | 30/7190 |
| A1638200242* | 30/7200 | A1688201242* | 30/7182 | A2017201346* | 30/7189 |
| A1638200342* | 30/1661 | A1688201342* | 30/7181 | A2017201446* | 30/7190 |
| A1638200442* | 30/1660 | A1688203242* | 30/7186 | A2017300346 | 30/7191 |
| A1638202742* | 30/1661 | A1688203342* | 30/7185 | A2017300446 | 30/7192 |
| A1638202842* | 30/1660 | A1697200779* | 30/7187 | A2027200546 | 30/1097 |
| A1647201179 | 30/1647 | A1697200779* | 30/1655 | A2027200546* | 30/7193 |

TAVOLE DI COMPARAZIONE / CROSS REFERENCE GUIDE

Alzacristalli / Window



| Rif. adattabilità Compatible OEM ref. | Ns. rif. Our Ref. | Rif. adattabilità Compatible OEM ref. | Ns. rif. Our Ref. | Rif. adattabilità Compatible OEM ref. | Ns. rif. Our Ref. |
|--|----------------------|--|----------------------|--|----------------------|
| A2027200646 | 30/1096 | A2037301146 | 30/1653 | A2108202542* | 30/7179 |
| A2027200646* | 30/7194 | A2037301246 | 30/1652 | A2108202642* | 30/7180 |
| A2027201146 | 30/1097 | A2047200579* | 30/1913 | A2108205742* | 30/7193 |
| A2027201146* | 30/7193 | A2047200679* | 30/1912 | A2108205842* | 30/7194 |
| A2027201246 | 30/1096 | A2047202479* | 30/1913 | A2117200346 | 30/1185 |
| A2027201246* | 30/7194 | A2047202579* | 30/1912 | A2117200446 | 30/1184 |
| A2027201546 | 30/1097 | A2047300779* | 30/1915 | A2117300346 | 30/1101 |
| A2027201546* | 30/7193 | A2047300879* | 30/1914 | A2117300446 | 30/1100 |
| A2027201646 | 30/1096 | A2057200179* | 30/3090 | A2127201579* | 30/1913 |
| A2027201646* | 30/7194 | A2057200279* | 30/3091 | A2127201679* | 30/1912 |
| A2027300746 | 30/7195 | A2057204923* | 30/3090 | A2127301779* | 30/1915 |
| A2027300746* | 30/1099 | A2057205023* | 30/3091 | A2127301879* | 30/1914 |
| A2027300846 | 30/7196 | A2057209111* | 30/3090 | A2137306705* | 30/3092 |
| A2027300846* | 30/1098 | A2057209211* | 30/3091 | A2137306805* | 30/3093 |
| A2027301346 | 30/7195 | A2057300179* | 30/3092 | A2467200179* | 30/2143 |
| A2027301346* | 30/1099 | A2057300279* | 30/3093 | A2467200279* | 30/2142 |
| A2027301446 | 30/7196 | A2057307901* | 30/3092 | A2467300179* | 30/2365 |
| A2027301446* | 30/1098 | A2057307904* | 30/3092 | A2467300279* | 30/2364 |
| A2027301946 | 30/7195 | A2057308001* | 30/3093 | A4477203900* | 30/2966 |
| A2027301946* | 30/1099 | A2057308004* | 30/3093 | A4477204000* | 30/2967 |
| A2027302046 | 30/7196 | A2097200746 | 30/2145 | A4517200546* | 30/1659 |
| A2027302046* | 30/1098 | A2097200846 | 30/2144 | A4517200646* | 30/1658 |
| A2028205542* | 30/7193 | A2107200746 | 30/1024 | A4517200746* | 30/1659 |
| A2028205642* | 30/7194 | A2107200846 | 30/1023 | A4517200846* | 30/1658 |
| A2037201546 | 30/1076 | A2107201146 | 30/1024 | A4537203300* | 30/3100 |
| A2037201646 | 30/1075 | A2107201246 | 30/1023 | A4537203300* | 30/3100 |
| A2037203146 | 30/1651 | A2107300746 | 30/1026 | A4537203400* | 30/3101 |
| A2037203246 | 30/1650 | A2107300846 | 30/1025 | A4537203400* | 30/3101 |
| A2037300346 | 30/1078 | A2107301546 | 30/1026 | A4547200046 | 30/2567 |
| A2037300446 | 30/1077 | A2107301646 | 30/1025 | A4547200046* | 30/2565 |

TAVOLE DI COMPARAZIONE / CROSS REFERENCE GUIDE

Alzacristalli / Window



| Rif. adattabilità Compatible OEM ref. | Ns. rif. Our Ref. | Rif. adattabilità Compatible OEM ref. | Ns. rif. Our Ref. | Rif. adattabilità Compatible OEM ref. | Ns. rif. Our Ref. |
|--|----------------------|--|----------------------|--|----------------------|
| A4547200146 | 30/2568 | A9067200046 | 30/2179 | B000178480 | 30/2796 |
| A4547200146* | 30/2566 | A9067200046 | 30/2179 | B000178480 | 30/2796 |
| A4607200046 | 30/238B | A9067200046* | 30/1769 | B000178480 | 30/2796 |
| A4607200146 | 30/238 | A9067200046* | 30/1769 | B000848280 | 30/2797 |
| A4607200546 | 30/239B | A9067200146 | 30/2178 | B000848280 | 30/2337 |
| A4607200646 | 30/239 | A9067200146 | 30/2178 | B000848280 | 30/2797 |
| A4607200746 | 30/1939 | A9067200146* | 30/1768 | B000848280 | 30/2337 |
| A4607200846 | 30/1938 | A9067200146* | 30/1768 | B000848280 | 30/2797 |
| A4607300546 | 30/1940 | A9607201646 | 30/2188 | B000848280 | 30/2337 |
| A4607300646 | 30/1941 | A9607201746 | 30/2189 | B000848280* | 30/2262 |
| A4607300746 | 30/240B | A9737200346 | 30/1773 | B000848280* | 30/2262 |
| A4607300846 | 30/240 | A9737200446 | 30/1772 | B000848280* | 30/2262 |
| A4617200246 | 30/242B | AB392627000BD | 30/2947 | B000848380 | 30/268 |
| A4617200346 | 30/242 | AB392627000BD* | 30/2887 | B000848380 | 30/268 |
| A4617200446 | 30/243B | ALR4532 | 30/271B | B000848380 | 30/268 |
| A4617200546 | 30/243 | ALR4533 | 30/271 | B000848480 | 30/2798 |
| A6387200046* | 30/1325 | ALR4534 | 30/250B | B000848480 | 30/2338 |
| A6387200146* | 30/1324 | ALR4535 | 30/250 | B000848480 | 30/2798 |
| A6387200246 | 30/233B | AM51R23200AF | 30/2991 | B000848480 | 30/2338 |
| A6387200346 | 30/233 | AM51R27000BB | 30/2559 | B000848480 | 30/2798 |
| A6397200046 | 30/1319 | AM51R27001BE | 30/2560 | B000848480 | 30/2338 |
| A6397200146 | 30/1318 | ASR1584 | 30/999 | B000848480* | 30/2263 |
| A6397200446* | 30/1869 | ASR2498* | 30/7172 | B000848480* | 30/2263 |
| A6397200546* | 30/1868 | ASR2499* | 30/7171 | B000848480* | 30/2263 |
| A6908200008* | 30/1763 | AV11R23201BD* | 30/1967 | B000848580 | 30/268B |
| A6908200108* | 30/1762 | AV11R27000AD* | 30/2280 | B000848580 | 30/268B |
| A9017201146* | 30/1763 | AV11R27001AD* | 30/2281 | B000848580 | 30/268B |
| A9017201246* | 30/1762 | B000178380 | 30/2795 | B000878280 | 30/2799 |
| A9017201946* | 30/1763 | B000178380 | 30/2795 | B000878280 | 30/2799 |
| A9017202046* | 30/1762 | B000178380 | 30/2795 | B000878280 | 30/2799 |

TAVOLE DI COMPARAZIONE / CROSS REFERENCE GUIDE

Alzacristalli / Window



| Rif. adattabilità Compatible OEM ref. | Ns. rif. Our Ref. | Rif. adattabilità Compatible OEM ref. | Ns. rif. Our Ref. | Rif. adattabilità Compatible OEM ref. | Ns. rif. Our Ref. |
|--|----------------------|--|----------------------|--|----------------------|
| B000878380 | 30/269 | B001019780 | 30/2338 | BP4K72590A | 30/1910 |
| B000878380 | 30/269 | B001019780 | 30/2798 | BP4K72590B | 30/1910 |
| B000878380 | 30/269 | B001019780 | 30/2338 | BP4K72590C | 30/1910 |
| B000878480 | 30/2800 | B001019780* | 30/2263 | BP4K72590D | 30/1910 |
| B000878480 | 30/2800 | B001019780* | 30/2263 | BP4K72590E | 30/1910 |
| B000878480 | 30/2800 | B001019780* | 30/2263 | BP4K73590A | 30/1911 |
| B000878580 | 30/269B | B001019880 | 30/268 | BP4K73590B | 30/1911 |
| B000878580 | 30/269B | B001019880 | 30/268 | BP4K73590C | 30/1911 |
| B000878580 | 30/269B | B001019880 | 30/268 | BP4K73590D | 30/1911 |
| B001019380 | 30/2797 | B001019980 | 30/2800 | BP4K73590E | 30/1911 |
| B001019380 | 30/2337 | B001019980 | 30/2800 | C2S10458 | 30/2619 |
| B001019380 | 30/2797 | B001019980 | 30/2800 | C2S10460 | 30/2620 |
| B001019380 | 30/2337 | B001020080 | 30/269B | C2S15068* | 30/2022 |
| B001019380 | 30/2797 | B001020080 | 30/269B | C2S15069* | 30/2023 |
| B001019380 | 30/2337 | B001020080 | 30/269B | C2S16407* | 30/2023 |
| B001019380* | 30/2262 | BBM458590A | 30/2286 | C2S17669* | 30/2022 |
| B001019380* | 30/2262 | BBM458590B | 30/2286 | C2S17670* | 30/2023 |
| B001019380* | 30/2262 | BBM458590C | 30/2286 | C2S17671 | 30/2619 |
| B001019480 | 30/268B | BBM459590A | 30/2287 | C2S17672* | 30/2024 |
| B001019480 | 30/268B | BBM459590B | 30/2287 | C2S17673 | 30/2620 |
| B001019480 | 30/268B | BBM459590C | 30/2287 | C2S17674* | 30/2025 |
| B001019580 | 30/2799 | BBM472590 | 30/2288 | C2S19406* | 30/2022 |
| B001019580 | 30/2799 | BBM473590 | 30/2289 | C2S2220 | 30/2619 |
| B001019580 | 30/2799 | BK21V23200BE* | 30/2158 | C2S22202* | 30/2022 |
| B001019680 | 30/269 | BK31V23200BE* | 30/2941 | C2S22203* | 30/2023 |
| B001019680 | 30/269 | BM51A27000BC* | 30/1794 | C2S22205* | 30/2024 |
| B001019680 | 30/269 | BP4K58590 | 30/1160 | C2S22206 | 30/2620 |
| B001019780 | 30/2798 | BP4K58590A | 30/1160 | C2S22207* | 30/2025 |
| B001019780 | 30/2338 | BP4K59590 | 30/1161 | C2S2222* | 30/2022 |
| B001019780 | 30/2798 | BP4K59590A | 30/1161 | C2S2223* | 30/2023 |

TAVOLE DI COMPARAZIONE / CROSS REFERENCE GUIDE

Alzacristalli / Window



| Rif. adattabilità Compatible OEM ref. | Ns. rif. Our Ref. | Rif. adattabilità Compatible OEM ref. | Ns. rif. Our Ref. | Rif. adattabilità Compatible OEM ref. | Ns. rif. Our Ref. |
|--|----------------------|--|----------------------|--|----------------------|
| C2S2224 | 30/2619 | CUH000092 | 30/7163 | CUH102100 | 30/7091 |
| C2S2225* | 30/2024 | CUH000100 | 30/249 | CUH102100 | 30/7091 |
| C2S2226 | 30/2620 | CUH000101 | 30/249 | CUH102110 | 30/7093 |
| C2S2227* | 30/2025 | CUH000110 | 30/249B | CUH102110 | 30/7093 |
| C2S3049* | 30/2024 | CUH000111 | 30/249B | CUH102300* | 30/1642 |
| C2S3050* | 30/2025 | CUH000180* | 30/2466 | CUH102310* | 30/1643 |
| C2S37070 | 30/2619 | CUH000181* | 30/2466 | CUH102340 | 30/7318 |
| C2S37071* | 30/2024 | CUH000182* | 30/2466 | CUH102350 | 30/7317 |
| C2S37072 | 30/2620 | CUH000190* | 30/2467 | CUH102351 | 30/7317 |
| C2S37073* | 30/2025 | CUH000191* | 30/2467 | CUH500100 | 30/2072 |
| C2S44894* | 30/2024 | CUH000192* | 30/2467 | CUH500101 | 30/2072 |
| C2S44895* | 30/2025 | CUH000230* | 30/2467 | CUH500103 | 30/2072 |
| C2S51553* | 30/2022 | CUH10118 | 30/7103 | CUH500110 | 30/2073 |
| C2S51554* | 30/2023 | CUH10118 | 30/7103 | CUH500111 | 30/2073 |
| C2S8770 | 30/2619 | CUH10119 | 30/7102 | CUH500113 | 30/2073 |
| C2S8773 | 30/2620 | CUH10119 | 30/7102 | CUH500180* | 30/2466 |
| CJ54S23201BN* | 30/2952 | CUH101900 | 30/7204 | CUH500190* | 30/2467 |
| CN15A23200CF* | 30/3165 | CUH101900 | 30/7204 | CUH500220* | 30/2466 |
| CN15A23201BE* | 30/3166 | CUH101910 | 30/7203 | CUH500230* | 30/2467 |
| CUH000020 | 30/999 | CUH101910 | 30/7203 | CUR100280* | 30/7323 |
| CUH000021 | 30/999 | CUH101940* | 30/7322 | CUR100290* | 30/7321 |
| CUH000022 | 30/999 | CUH101940* | 30/7323 | CUR100440* | 30/1643 |
| CUH000023 | 30/999 | CUH101970* | 30/7324 | CUR100440* | 30/1642 |
| CUH000030 | 30/1000 | CUH101970* | 30/7321 | CVF100740 | 30/7174 |
| CUH000031 | 30/1000 | CUH102060 | 30/7092 | CVF100740* | 30/7172 |
| CUH000032 | 30/1000 | CUH102060 | 30/7092 | CVF100750 | 30/7173 |
| CUH000033 | 30/1000 | CUH102070 | 30/7090 | CVF100750* | 30/7171 |
| CUH000080 | 30/7164 | CUH102070 | 30/7090 | CVH000040 | 30/2899 |
| CUH000082 | 30/7164 | CUH102070SLP | 30/7090 | CVH000040* | 30/2935 |
| CUH000090 | 30/7163 | CUH102070SLP | 30/7090 | CVH000041 | 30/2899 |

TAVOLE DI COMPARAZIONE / CROSS REFERENCE GUIDE

Alzacristalli / Window



| Rif. adattabilità Compatible OEM ref. | Ns. rif. Our Ref. | Rif. adattabilità Compatible OEM ref. | Ns. rif. Our Ref. | Rif. adattabilità Compatible OEM ref. | Ns. rif. Our Ref. |
|--|----------------------|--|----------------------|--|----------------------|
| CVH000041* | 30/2935 | CVH101212 | 30/1183 | DS73F23209AE | 30/3160 |
| CVH000050 | 30/2900 | CVH101300 | 30/7320 | DS73F23209AF | 30/3160 |
| CVH000050* | 30/2936 | CVH101310 | 30/7319 | DS73F27008AH | 30/3147 |
| CVH000051 | 30/2900 | CVH106360 | 30/7095 | DS73F27009AH | 30/3146 |
| CVH000051* | 30/2936 | CVH106360 | 30/7095 | DT11V23200BD | 30/2885 |
| CVH000060 | 30/2899 | CVH106370 | 30/7094 | DT11V23200BD* | 30/2909 |
| CVH000060* | 30/2935 | CVH106370 | 30/7094 | ES51B23200BA | 30/1083 |
| CVH000070 | 30/2900 | CVH500020 | 30/7168 | ES51B23200BA* | 30/1856 |
| CVH000070* | 30/2936 | CVH500022 | 30/7168 | ES51B23201BA | 30/1084 |
| CVH101020 | 30/7095 | CVH500030 | 30/7167 | ES51B23201BA* | 30/1857 |
| CVH101020 | 30/7095 | CVH500032 | 30/7167 | GJ6A58590A | 30/1162 |
| CVH101030 | 30/7094 | CVH500080 | 30/250 | GJ6A58590B | 30/1162 |
| CVH101030 | 30/7094 | CVH500090 | 30/250B | GJ6A58590C | 30/1162 |
| CVH101080 | 30/7095 | CVH500100 | 30/2899 | GJ6A58590D | 30/1162 |
| CVH101080 | 30/7095 | CVH500100* | 30/2935 | GJ6A58590E | 30/1162 |
| CVH101090 | 30/7094 | CVH500110 | 30/2900 | GJ6A58590F | 30/1162 |
| CVH101090 | 30/7094 | CVH500110* | 30/2936 | GJ6A58590G | 30/1162 |
| CVH101160 | 30/7320 | CVH500120 | 30/7168 | GJ6A59590A | 30/1163 |
| CVH101170 | 30/7319 | CVH500130 | 30/7167 | GJ6A59590B | 30/1163 |
| CVH101200 | 30/7170 | CVR100170* | 30/1643 | GJ6A59590C | 30/1163 |
| CVH101200 | 30/1182 | CVR100170* | 30/1642 | GJ6A59590D | 30/1163 |
| CVH101201 | 30/7170 | D65158590 | 30/2406 | GJ6A59590E | 30/1163 |
| CVH101201 | 30/1182 | D65158590A | 30/2406 | GJ6A59590F | 30/1163 |
| CVH101202 | 30/7170 | D65158590B | 30/2406 | GJ6A59590G | 30/1163 |
| CVH101202 | 30/1182 | D65159590 | 30/2407 | GJ6A72590A | 30/7176 |
| CVH101210 | 30/7169 | D65159590A | 30/2407 | GJ6A72590B | 30/7176 |
| CVH101210 | 30/1183 | D65159590B | 30/2407 | GJ6A72590C | 30/7176 |
| CVH101211 | 30/7169 | DD1458590B | 30/1644 | GJ6A72590D | 30/7176 |
| CVH101211 | 30/1183 | DD1459580B | 30/1645 | GJ6A72590E | 30/7176 |
| CVH101212 | 30/7169 | DS73F23208AF | 30/3159 | GJ6A72590F | 30/7176 |

TAVOLE DI COMPARAZIONE / CROSS REFERENCE GUIDE

Alzacristalli / Window



| Rif. adattabilità Compatible OEM ref. | Ns. rif. Our Ref. | Rif. adattabilità Compatible OEM ref. | Ns. rif. Our Ref. | Rif. adattabilità Compatible OEM ref. | Ns. rif. Our Ref. |
|--|----------------------|--|----------------------|--|----------------------|
| GJ6A72590H | 30/7176 | J6981004010 | 30/7386 | K04638455* | 30/7157 |
| GJ6A73590A | 30/7175 | J6981004010 | 30/7386 | K04675586AB | 30/1148 |
| GJ6A73590B | 30/7175 | J6982004010 | 30/7385 | K04675586AC | 30/1148 |
| GJ6A73590C | 30/7175 | J6982004010 | 30/7385 | K04675587AB | 30/1149 |
| GJ6A73590D | 30/7175 | J9C31880* | 30/2993 | K04675587AC | 30/1149 |
| GJ6A73590E | 30/7175 | J9C31881* | 30/2994 | K04728305* | 30/7157 |
| GJ6A73590F | 30/7175 | J9C31882* | 30/3007 | K04761915* | 30/7157 |
| GJ6A73590H | 30/7175 | J9C31883* | 30/3008 | K0476319AB | 30/1149 |
| GS1D58590 | 30/2292 | J9C3277* | 30/2993 | K04773895* | 30/7155 |
| GS1D58590A | 30/2292 | J9C3278* | 30/2994 | K04796306 | 30/1148 |
| GS1D59590 | 30/2293 | J9C3279* | 30/3007 | K04796307 | 30/1149 |
| GS1D59590A | 30/2293 | J9C3280* | 30/3008 | K04796318 | 30/1148 |
| GS1D72590 | 30/2294 | K 55000660 | 30/7146 | K04796318AB | 30/1148 |
| GS1D72590A | 30/2294 | K 55154516 | 30/7146 | K04796319 | 30/1149 |
| GS1D73590 | 30/2295 | K04589170AA* | 30/2609 | K04798378AB* | 30/7156 |
| GS1D73590A | 30/2295 | K04589170AB* | 30/2609 | K04798378AC* | 30/7156 |
| HG040001* | 30/7121 | K04589170AC* | 30/2609 | K04798379* | 30/7155 |
| HG040001* | 30/7121 | K04589170AD* | 30/2609 | K04798379AB* | 30/7155 |
| HG040002* | 30/7122 | K04589170AE* | 30/2609 | K04798380* | 30/7158 |
| HG040002* | 30/7122 | K04589170AF* | 30/2609 | K04798380AB* | 30/7158 |
| HK778110* | 30/7121 | K04589170AG* | 30/2609 | K04798381* | 30/7157 |
| HK778110* | 30/7121 | K04589170AH* | 30/2609 | K04798381AB* | 30/7157 |
| HK778120* | 30/7122 | K04589171AA* | 30/2610 | K04894526AA | 30/1150 |
| HK778120* | 30/7122 | K04589171AB* | 30/2610 | K04894527AA | 30/1151 |
| HR514010* | 30/7121 | K04589171AC* | 30/2610 | K05017810AA* | 30/1576 |
| HR514010* | 30/7121 | K04589171AD* | 30/2610 | K05017810AB* | 30/1576 |
| HR514020* | 30/7122 | K04589171AE* | 30/2610 | K05017810AC* | 30/1576 |
| HR514020* | 30/7122 | K04589171AF* | 30/2610 | K05017811AA* | 30/1577 |
| J5454145 | 30/2722 | K04589171AG* | 30/2610 | K05017811AB* | 30/1577 |
| J5454146 | 30/2721 | K04589171AH* | 30/2610 | K05017811AC* | 30/1577 |

TAVOLE DI COMPARAZIONE / CROSS REFERENCE GUIDE

Alzacristalli / Window



| Rif. adattabilità Compatible OEM ref. | Ns. rif. Our Ref. | Rif. adattabilità Compatible OEM ref. | Ns. rif. Our Ref. | Rif. adattabilità Compatible OEM ref. | Ns. rif. Our Ref. |
|--|----------------------|--|----------------------|--|----------------------|
| K05017812AB* | 30/7070 | K55076468 | 30/1154 | K55360031AM | 30/7147 |
| K05017812AC* | 30/7070 | K55076469 | 30/1155 | K55360031AM | 30/7151 |
| K05017813AB* | 30/7069 | K55154517 | 30/7145 | K55360036AE | 30/7153 |
| K05017813AC* | 30/7069 | K55154620* | 30/7158 | K55360036AF | 30/7153 |
| K05017814AA* | 30/1576 | K55154621* | 30/7157 | K55363284AA | 30/1158 |
| K05017815AA* | 30/7069 | K55154628 | 30/7146 | K55363284AB | 30/1158 |
| K05017815AB* | 30/1577 | K55154722 | 30/7146 | K55363284AC | 30/1158 |
| K05017815AB* | 30/7069 | K55154723 | 30/7145 | K55363284AD | 30/1158 |
| K05096176AA | 30/1152 | K55154794 | 30/7146 | K55363284AE | 30/1158 |
| K05096176AA | 30/1154 | K55154795 | 30/7145 | K55363285AB | 30/1159 |
| K05096177AA | 30/1153 | K55235208 | 30/7146 | K55363285AC | 30/1159 |
| K05096177AA | 30/1155 | K55235646 | 30/7146 | K55363285AD | 30/1159 |
| K05127832AA* | 30/1576 | K55360030AH | 30/7148 | K55363285AE | 30/1159 |
| K05127832AA* | 30/7070 | K55360030AH | 30/7152 | K55363286AA | 30/1156 |
| K05127833AA* | 30/1577 | K55360030AJ | 30/7148 | K55363286AB | 30/1156 |
| K05127833AA* | 30/7069 | K55360030AJ | 30/7152 | K55363286AC | 30/1156 |
| K0517815AA* | 30/1577 | K55360030AK | 30/7148 | K55363286AD | 30/1156 |
| K05179962AA* | 30/2018 | K55360030AK | 30/7152 | K55363286AE | 30/1156 |
| K05179963AA* | 30/2019 | K55360030AL | 30/7148 | K55363287AA | 30/1157 |
| K5017814AA* | 30/1576 | K55360030AL | 30/7152 | K55363287AB | 30/1157 |
| K55000661 | 30/7145 | K55360030AM | 30/7148 | K55363287AC | 30/1157 |
| K55018441 | 30/7145 | K55360030AM | 30/7152 | K55363287AD | 30/1157 |
| K55034115 | 30/7145 | K55360031AH | 30/7147 | K55363287AE | 30/1157 |
| K55076052AF | 30/2330 | K55360031AH | 30/7151 | K55394228AB | 30/2603 |
| K55076052AG | 30/2330 | K55360031AJ | 30/7147 | K55394228AC | 30/2603 |
| K55076053AE | 30/2331 | K55360031AJ | 30/7151 | K55394228AD | 30/2603 |
| K55076053AF | 30/2331 | K55360031AK | 30/7147 | K55394228AE | 30/2603 |
| K55076053AG | 30/2331 | K55360031AK | 30/7151 | K55394228AF | 30/2603 |
| K55076466AB | 30/1152 | K55360031AL | 30/7147 | K55394228AG | 30/2603 |
| K55076467AB | 30/1153 | K55360031AL | 30/7151 | K55394229AB | 30/2604 |

TAVOLE DI COMPARAZIONE / CROSS REFERENCE GUIDE

Alzacristalli / Window



| Rif. adattabilità Compatible OEM ref. | Ns. rif. Our Ref. | Rif. adattabilità Compatible OEM ref. | Ns. rif. Our Ref. | Rif. adattabilità Compatible OEM ref. | Ns. rif. Our Ref. |
|--|----------------------|--|----------------------|--|----------------------|
| K55394229AC | 30/2604 | K68059645AA | 30/7151 | LR026710 | 30/2101 |
| K55394229AD | 30/2604 | K68059646AA | 30/7150 | LR026717 | 30/2102 |
| K55394229AE | 30/2604 | K68059646AA | 30/7154 | LR026718 | 30/2103 |
| K55394229AF | 30/2604 | K68059647AA | 30/7149 | LR043934* | 30/2625 |
| K55394229AG | 30/2604 | K68059647AA | 30/7153 | LR043935* | 30/2626 |
| K56005164* | 30/7156 | K68079288AA | 30/2202 | LR043936* | 30/2627 |
| K56005165* | 30/7155 | K68079289AA | 30/2203 | LR043937* | 30/2628 |
| K68002888AA* | 30/2018 | K68292082AA | 30/2973 | LR046656 | 30/2100 |
| K68002889A* | 30/2019 | K68292083AA | 30/2972 | LR046658 | 30/2101 |
| K68002889AA | 30/2131 | K68292132AA | 30/2971 | LR046659 | 30/2105 |
| K68002890AA* | 30/2018 | K68292133AA | 30/2970 | LR046659 | 30/2101 |
| K68002891AA* | 30/2019 | KB7W58590 | 30/3105 | LR057338* | 30/2625 |
| K68002894AA* | 30/2018 | KB7W59590 | 30/3104 | LR057340* | 30/2627 |
| K68002896AA* | 30/2016 | KD5358590 | 30/2076 | LR057341* | 30/2628 |
| K68002897AA* | 30/2017 | KD5359590 | 30/2077 | LR067996 | 30/2104 |
| K68002898AA* | 30/2016 | KD5372590 | 30/2290 | LR067996 | 30/2100 |
| K68002899AA* | 30/2017 | KD5373590 | 30/2291 | LR067998 | 30/2100 |
| K68037296AA | 30/1148 | KD7758590 | 30/2076 | LR067999 | 30/2101 |
| K68037297AA | 30/1149 | KD7759590 | 30/2077 | LR077816* | 30/2626 |
| K68043734AA | 30/1788 | KD7772590 | 30/2290 | LR077817* | 30/2625 |
| K68043734AA | 30/1788 | KD7773590 | 30/2291 | LR078870* | 30/2627 |
| K68043735AA | 30/1789 | KJ5454145 | 30/2722 | LR078871* | 30/2628 |
| K68043735AA | 30/1789 | KJ5454146 | 30/2721 | LR114590* | 30/2917 |
| K68043738AA | 30/1790 | KR6005165* | 30/7156 | LR114591* | 30/2918 |
| K68043738AA | 30/1790 | LR006371 | 30/999 | LR114597* | 30/2905 |
| K68043739AA | 30/1791 | LR006372 | 30/1000 | LR114598* | 30/2906 |
| K68043739AA | 30/1791 | LR006373* | 30/1642 | LR126091 | 30/2100 |
| K68059644AA | 30/7148 | LR006374* | 30/1643 | LR126092 | 30/2104 |
| K68059644AA | 30/7152 | LR026709 | 30/2101 | LR126092 | 30/2100 |
| K68059645AA | 30/7147 | LR026710 | 30/2105 | LR126093 | 30/2101 |

TAVOLE DI COMPARAZIONE / CROSS REFERENCE GUIDE

Alzacristalli / Window



| Rif. adattabilità Compatible OEM ref. | Ns. rif. Our Ref. | Rif. adattabilità Compatible OEM ref. | Ns. rif. Our Ref. | Rif. adattabilità Compatible OEM ref. | Ns. rif. Our Ref. |
|--|----------------------|--|----------------------|--|----------------------|
| LR153951* | 30/2625 | MN105755* | 30/2724 | MR144595 | 30/7209 |
| LR153952* | 30/2626 | MN105756* | 30/2723 | MR144596 | 30/7210 |
| LR153955* | 30/2627 | MN117047 | 30/1663 | MR181921 | 30/7209 |
| LR153956* | 30/2628 | MN117047 | 30/7213 | MR181922 | 30/7210 |
| LR165904 | 30/2100 | MN117047* | 30/2730 | MR186733* | 30/7207 |
| LR165905 | 30/2104 | MN117048 | 30/1662 | MR186735* | 30/7207 |
| LR165905 | 30/2100 | MN117048 | 30/7214 | MR186736* | 30/7208 |
| LR165906 | 30/2101 | MN117048* | 30/2729 | MR393529 | 30/1872 |
| LR165907 | 30/2105 | MN117067 | 30/1665 | MR393530 | 30/1873 |
| LR165907 | 30/2101 | MN117068 | 30/1664 | MR462789 | 30/1663 |
| LR165913* | 30/2917 | MN167271 | 30/1663 | MR462789* | 30/2730 |
| LT026708 | 30/2100 | MN182365 | 30/2165 | MR462790 | 30/1662 |
| LT057339* | 30/2626 | MN182366 | 30/2164 | MR462790* | 30/2729 |
| MB171249* | 30/7121 | MN182403 | 30/2167 | MR503081* | 30/7207 |
| MB171249* | 30/7121 | MN182404 | 30/2166 | MR503082* | 30/7208 |
| MB171250* | 30/7122 | MN300931* | 30/2723 | MR523513 | 30/1665 |
| MB171250* | 30/7122 | MN300932* | 30/2724 | MR523514 | 30/1664 |
| MB257447* | 30/7121 | MN301465* | 30/2725 | NA0258560C | 30/7178 |
| MB257447* | 30/7121 | MN301466* | 30/2726 | NA0258560D | 30/7178 |
| MB257448* | 30/7122 | MN301467* | 30/2723 | NA0258560E | 30/7178 |
| MB257448* | 30/7122 | MN301468* | 30/2724 | NA0258560F | 30/7178 |
| MB517475* | 30/7211 | MN301734* | 30/2723 | NA0258560G | 30/7178 |
| MB517476* | 30/7212 | MN301859* | 30/2725 | NA0258560H | 30/7178 |
| MB669161 | 30/1871 | MN301860* | 30/2726 | NA0258560L | 30/7178 |
| MB669161* | 30/7211 | MN301861* | 30/2723 | NA0259560C | 30/7177 |
| MB669162 | 30/1870 | MN301862* | 30/2724 | NA0259560D | 30/7177 |
| MB669162* | 30/7212 | MP943 | 30/7029 | NA0259560E | 30/7177 |
| MB827402* | 30/7208 | MP943 | 30/7029 | NA0259560F | 30/7177 |
| ML110023 | 30/7205 | MP944 | 30/7030 | NA0259560G | 30/7177 |
| ML110024 | 30/7206 | MP944 | 30/7030 | NA0259560H | 30/7177 |

TAVOLE DI COMPARAZIONE / CROSS REFERENCE GUIDE

Alzacristalli / Window



| Rif. adattabilità Compatible OEM ref. | Ns. rif. Our Ref. | Rif. adattabilità Compatible OEM ref. | Ns. rif. Our Ref. | Rif. adattabilità Compatible OEM ref. | Ns. rif. Our Ref. |
|--|----------------------|--|----------------------|--|----------------------|
| NA0259560L | 30/7177 | SE021978051B | 30/846 | | |
| NC115858X* | 30/2270 | STC2882* | 30/1642 | | |
| NC115858XA* | 30/2270 | XR848084 | 30/2789 | | |
| NC1158590B* | 30/2270 | XR848085 | 30/2790 | | |
| NC1158590C* | 30/2270 | XR848093 | 30/2460 | | |
| NC1158590D* | 30/2270 | XR848094 | 30/2461 | | |
| NC1158590G* | 30/2270 | XR848097 | 30/7144 | | |
| NC1159560* | 30/2271 | XR848098 | 30/7143 | | |
| NC115958X* | 30/2271 | XS41B23200BV | 30/943 | | |
| NC115958XA* | 30/2271 | YQ00048380* | 30/2692 | | |
| NC1159590B* | 30/2271 | YQ00048480* | 30/2691 | | |
| NC1159590C* | 30/2271 | YQ00112380* | 30/2652 | | |
| NC1159590G* | 30/2271 | YQ00112480* | 30/2651 | | |
| Q0002678V00300000 | 30/1372 | YQ00112580 | 30/2642 | | |
| Q0002678V00400000 | 30/1372 | YQ00112580* | 30/2652 | | |
| Q0002684V00302000 | 30/1371 | YQ00112680 | 30/2641 | | |
| Q0002684V00400000 | 30/1371 | YQ00112680* | 30/2651 | | |
| Q0002691V00200000 | 30/1386 | YQ00469580* | 30/2652 | | |
| Q0002691V00200000 | 30/1372 | YQ00469680* | 30/2651 | | |
| Q0002691V00300000 | 30/1386 | YQ00469780* | 30/2692 | | |
| Q0002691V00300000 | 30/1372 | YQ00469880* | 30/2691 | | |
| Q0002702V00200000 | 30/1385 | YQ00778280* | 30/2652 | | |
| Q0002702V00200000 | 30/1371 | YQ00778380* | 30/2651 | | |
| Q0002702V00300000 | 30/1385 | YQ00779180* | 30/2692 | | |
| Q0002702V00300000 | 30/1371 | YQ00779280* | 30/2691 | | |
| RTC3814* | 30/7166 | | | | |
| RTC3815* | 30/7165 | | | | |
| RTC3820* | 30/7166 | | | | |
| RTC3821* | 30/7165 | | | | |
| SE021978050B | 30/845 | | | | |